



US00D630868S

(12) **United States Design Patent**
Annicelli

(10) **Patent No.:** **US D630,868 S**
(45) **Date of Patent:** **** *Jan. 18, 2011**

(54) **COIN DISPLAY AND BUSINESS-CARD HOLDER**

(75) Inventor: **Lance L. Annicelli**, Schertz, TX (US)

(73) Assignee: **The United States of America as represented by the Secretary of the Air Force**, Washington, DC (US)

(*) Notice: This patent is subject to a terminal disclaimer.

(**) Term: **14 Years**

(21) Appl. No.: **29/316,481**

(22) Filed: **Oct. 1, 2009**

Related U.S. Application Data

(63) Continuation-in-part of application No. 29/312,222, filed on Oct. 6, 2008, now Pat. No. Des. 604,531, which is a continuation-in-part of application No. 29/291,261, filed on Aug. 14, 2007, now Pat. No. Des. 581,185.

(51) **LOC (9) Cl.** **06-04**

(52) **U.S. Cl.** **D6/457**

(58) **Field of Classification Search** D6/457, D6/469, 396-397, 449; D9/430, 432; D99/34, D99/99, 36; D19/10, 11, 32, 90-100; D11/132; D21/341, 342, 334; 40/124, 323; 206/461, 206/0.8, 0.81, 0.83, 0.84, 486, 775; 211/11; 220/23.4, 23.6

See application file for complete search history.

(56) **References Cited**

U.S. PATENT DOCUMENTS

D244,060 S 4/1977 Friend
D247,829 S 5/1978 Schnitzer
D248,692 S 7/1978 Kovar
D252,775 S 8/1979 Stoffel

D257,070 S 9/1980 Holmes
D259,048 S 4/1981 Peterson
D284,322 S 6/1986 Povitz
D332,684 S 1/1993 Melamed
D335,752 S 5/1993 De La Salud
D337,617 S 7/1993 Hall, Jr.
D358,049 S 5/1995 Wilson
D365,484 S 12/1995 Trattner et al.
D390,053 S 2/1998 Waters
5,740,624 A 4/1998 Baseley
D423,757 S 4/2000 Briggs
D441,223 S 5/2001 Reeves et al.
D449,183 S 10/2001 Porter et al.
D451,684 S 12/2001 Vincent
D458,799 S 6/2002 Andujar
D483,418 S 12/2003 Carr et al.
D495,900 S 9/2004 Mayse

Primary Examiner—Caron Veynar

Assistant Examiner—Abraham Bahta

(74) *Attorney, Agent, or Firm*—AFMCLO/JAZ; Jeff R. Moore

(57) **CLAIM**

The ornamental design for a coin display and business-card holder, as shown and described.

DESCRIPTION

FIG. 1 is a perspective view of a coin display and business-card holder showing my new design;

FIG. 2 is a front view thereof;

FIG. 3 is a top view thereof;

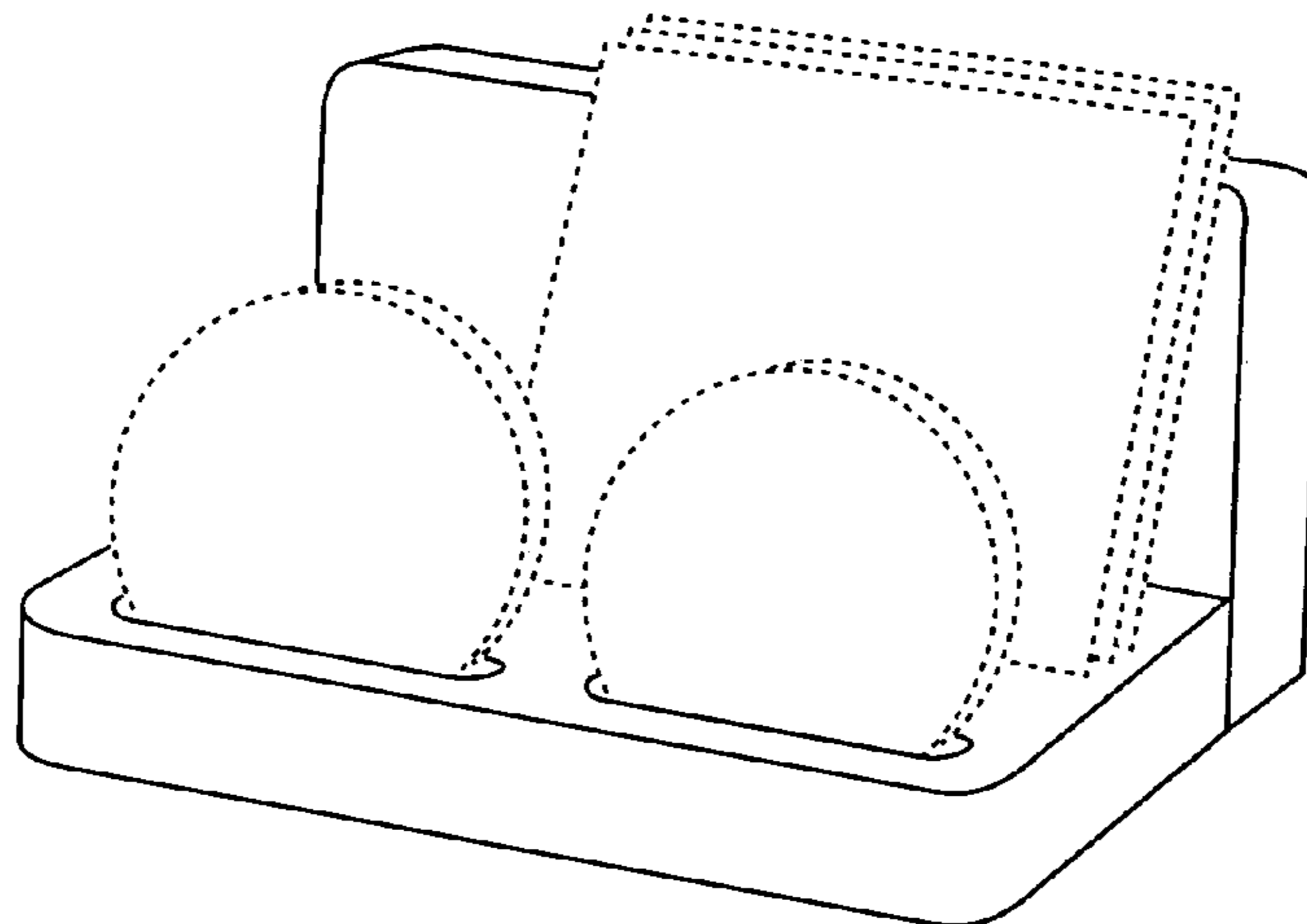
FIG. 4 is a left side view, the right being a mirror image thereof; and,

FIG. 5 is a rear view thereof.

The bottom view is omitted and forms no part of the claimed design.

The broken lines in the drawings are for illustrative purposes only and form no part of the claimed design.

1 Claim, 2 Drawing Sheets



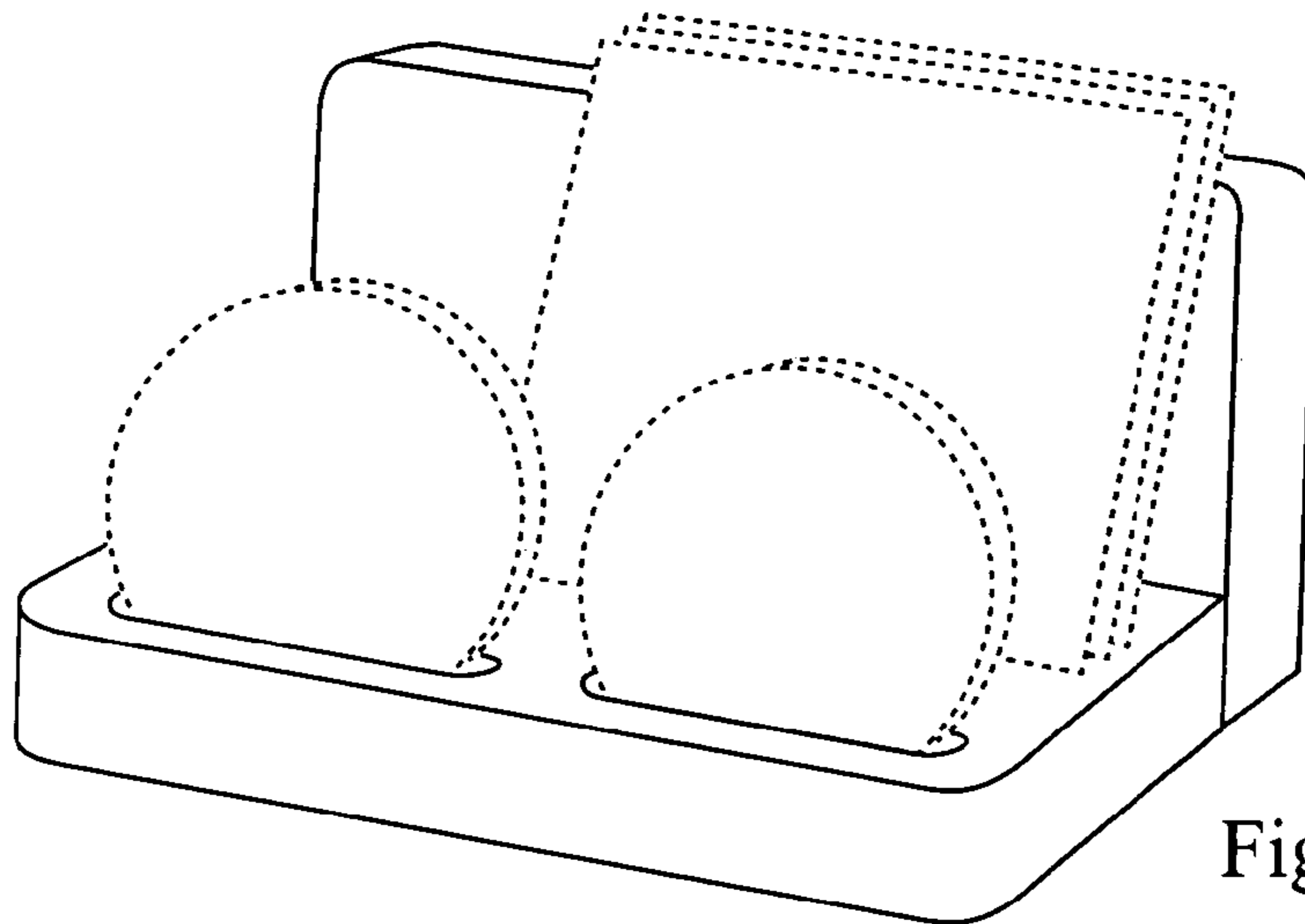


Fig. 1

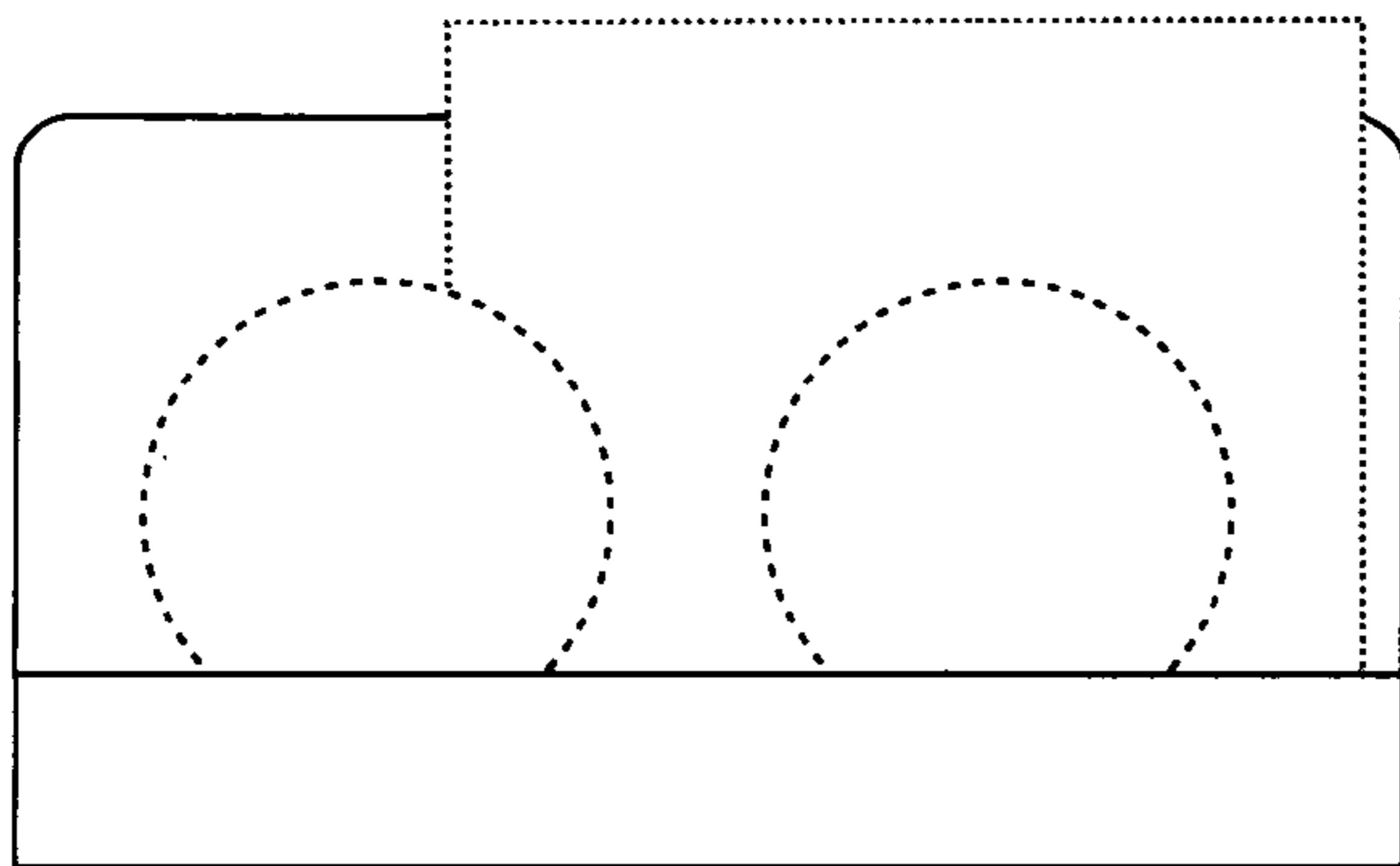


Fig. 2

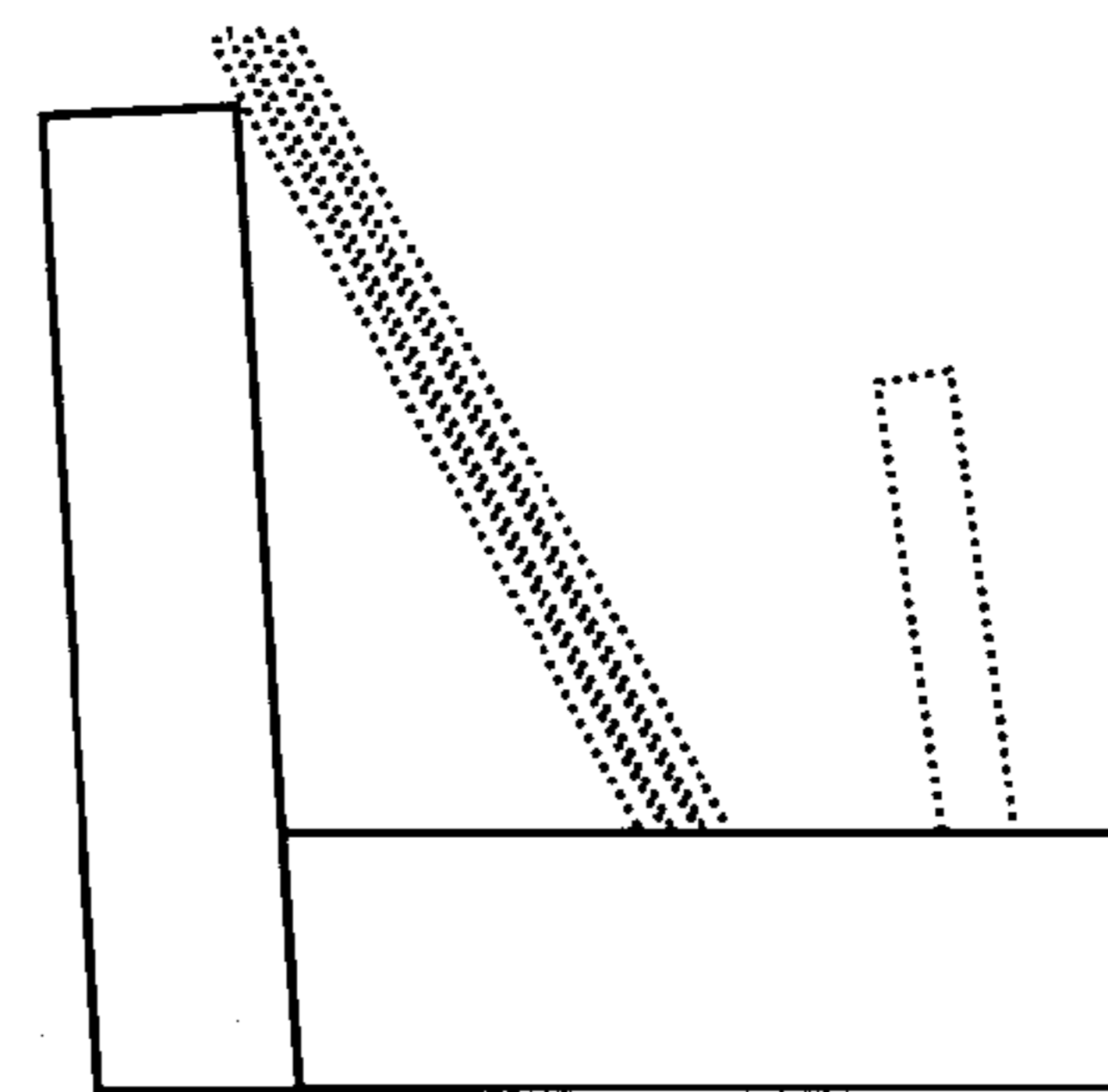


Fig. 4

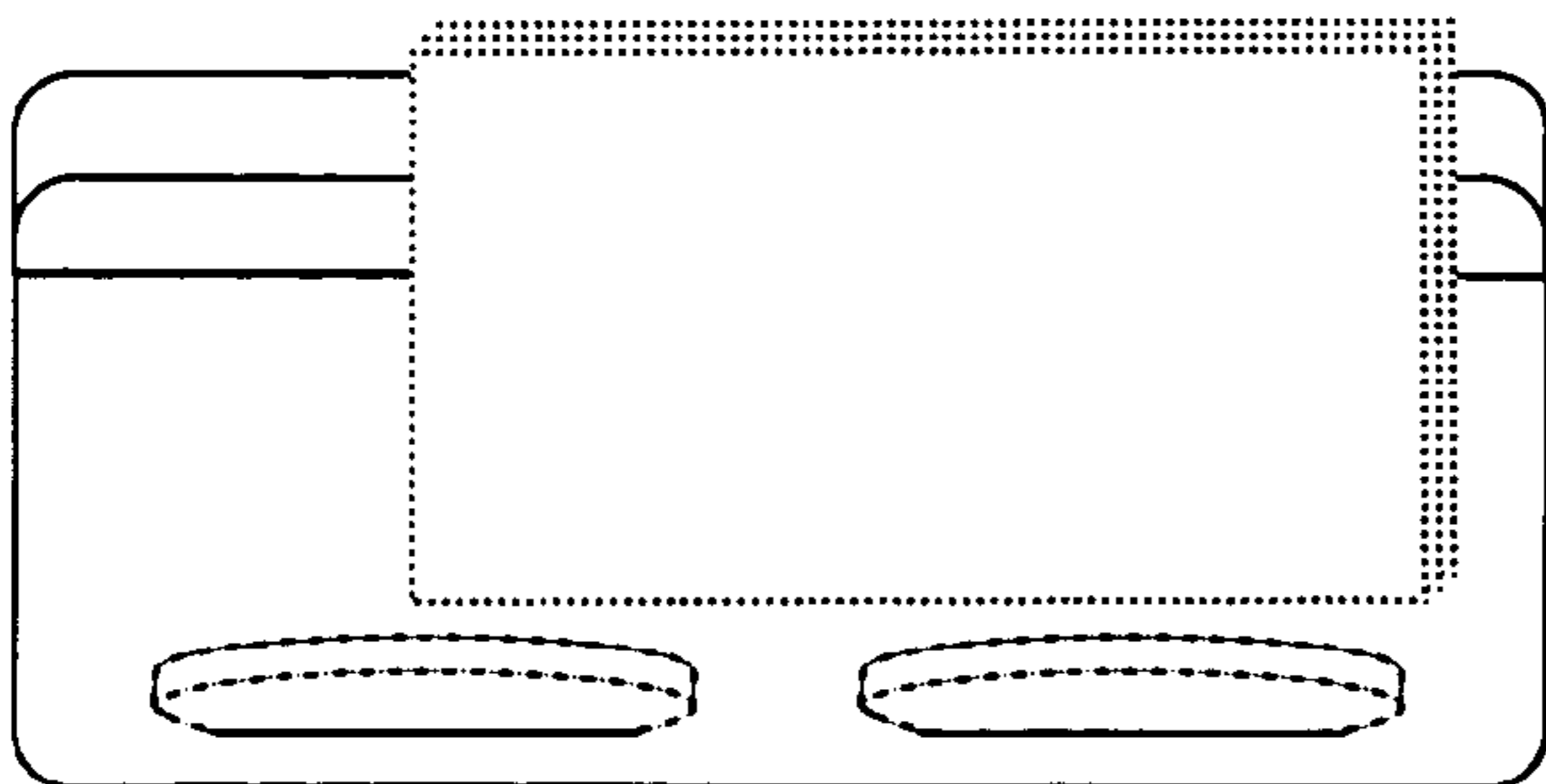


Fig. 3

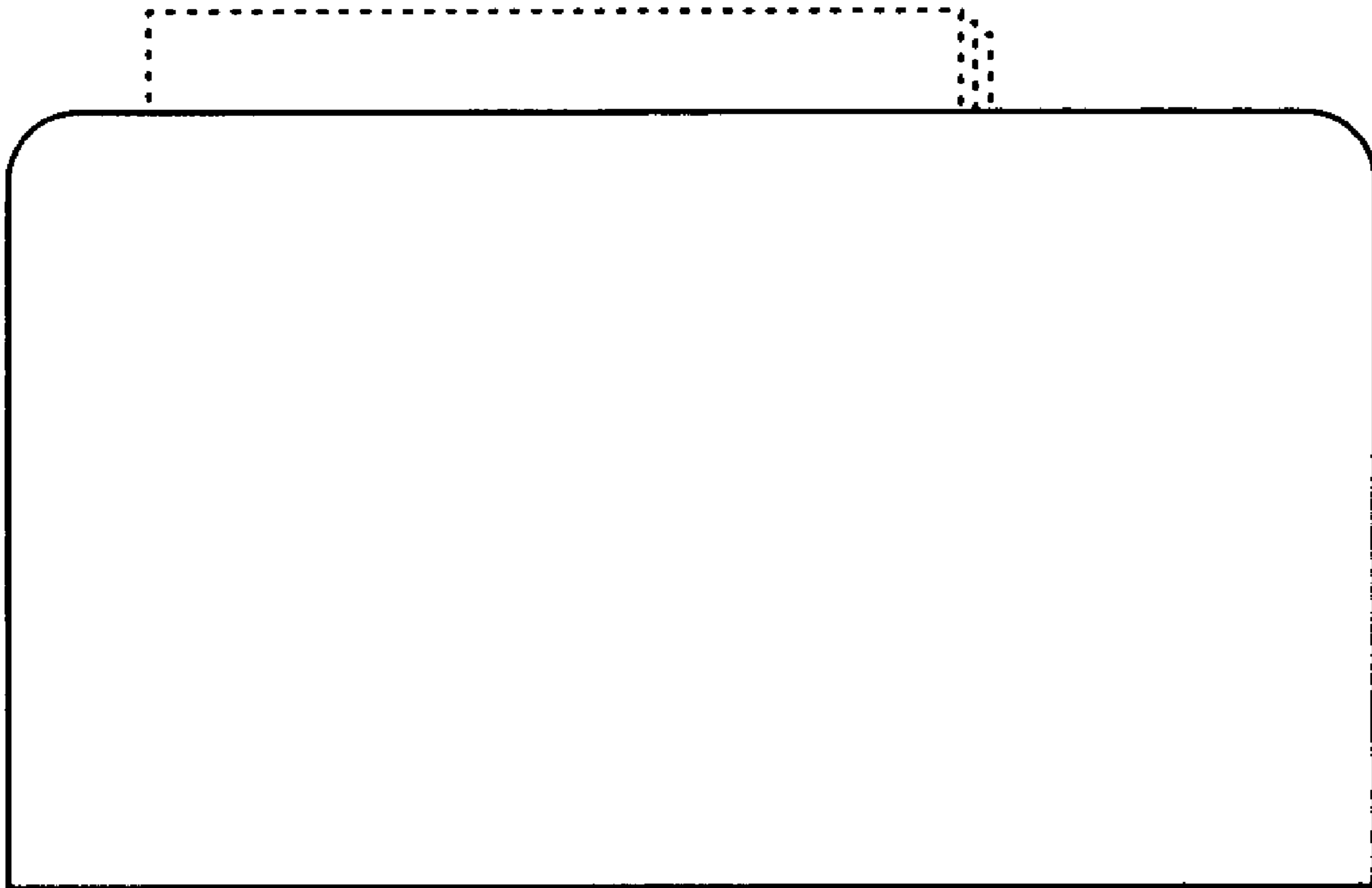


Fig. 5