



US00D630867S

(12) **United States Design Patent**
Kiska

(10) **Patent No.:** **US D630,867 S**
(45) **Date of Patent:** **** Jan. 18, 2011**

(54) **EXHIBITION STAND**

(75) Inventor: **Gerald Kiska**, Salzburg (AT)

(73) Assignee: **Hirsch Armbander GmbH**, Klagenfurt (AT)

(**) Term: **14 Years**

(21) Appl. No.: **29/328,832**

(22) Filed: **Dec. 2, 2008**

3,200,958 A	8/1965	Hudgeons, Sr. et al.
3,391,796 A	7/1968	Cross
3,777,896 A	12/1973	Ehrlich
D235,818 S	7/1975	Folkart
D249,000 S	8/1978	Simmons
D273,255 S	4/1984	Marcus
5,452,809 A *	9/1995	Capel 211/47
D382,731 S *	8/1997	Martin D6/469
5,715,949 A *	2/1998	Rutledge 211/47
D392,816 S	3/1998	Franklin et al.
6,000,561 A *	12/1999	Schumacher 211/165
6,547,087 B2	4/2003	Accatino

Related U.S. Application Data

(62) Division of application No. 29/257,572, filed on Apr. 7, 2008, now Pat. No. Des. 584,905.

Foreign Application Priority Data

Oct. 7, 2005	(EM)	000415856-0001
Oct. 7, 2005	(EM)	000415856-0002
Oct. 7, 2005	(EM)	000415856-0003
Oct. 7, 2005	(EM)	000415856-0004

(51) **LOC (9) Cl.** **06-07**

(52) **U.S. Cl.** **D6/454**

(58) **Field of Classification Search** D6/469,
D6/449, 396, 454, 409, 301, 455, 465, 468,
D6/457, 463; 40/534, 530, 533, 376, 492;
211/169, 47, 165, 13.1, 45, 48, 49.1, 50,
211/51, 58, 96, 128.1, 129.1, 163, 168, 19
See application file for complete search history.

(56) **References Cited**

U.S. PATENT DOCUMENTS

356,520 A *	1/1887	Adams	211/169
506,073 A *	10/1893	Prentis	40/534
835,615 A *	11/1906	Henricks	40/530
857,391 A *	6/1907	Goldberg	40/533
1,326,832 A *	12/1919	Baily	40/533
1,360,532 A *	11/1920	Isaacs et al.	190/16
D162,084 S	2/1951	Robinson		
2,928,555 A *	3/1960	Childs et al.	211/169
3,181,706 A	5/1965	Mandel		

(Continued)

FOREIGN PATENT DOCUMENTS

DE 3200958 A1 7/1983

Primary Examiner—Philip S Hyder
Assistant Examiner—Sydney R Buffalow
(74) *Attorney, Agent, or Firm*—Dickstein Shapiro LLP

(57) **CLAIM**

The ornamental design for an exhibition stand, as shown and described.

DESCRIPTION

FIG. 1 is a front side view looking down of an exhibition stand showing my new design;

FIG. 2 is a side view thereof;

FIG. 3 is a front view thereof;

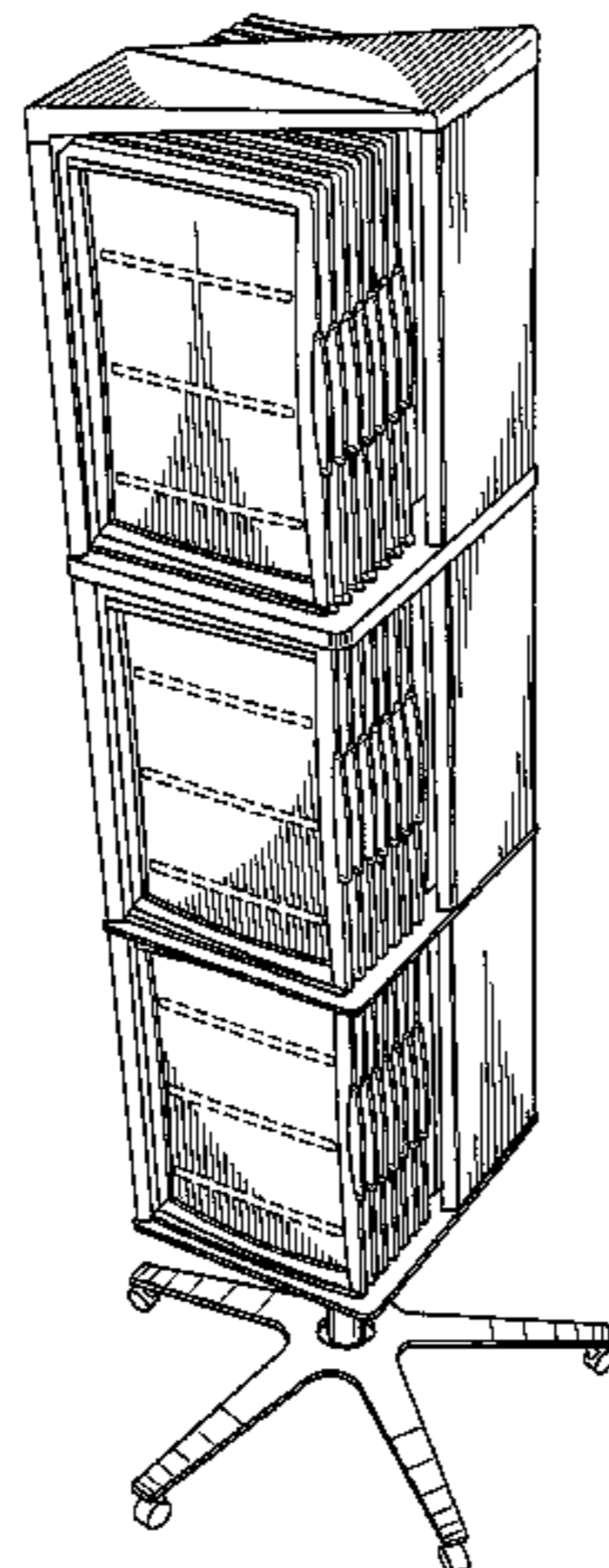
FIG. 4 is a top view thereof;

FIG. 5 is a front side view looking down on the exhibition stand in a partially open position; and,

FIG. 6 is a front view of the exhibition stand in a partially open position of FIG. 5.

The broken lines in the figures illustrate unclaimed portions of the design.

1 Claim, 6 Drawing Sheets



US D630,867 S

Page 2

U.S. PATENT DOCUMENTS

D498,087 S 11/2004 Stein
6,811,046 B2 11/2004 Stein
D549,003 S 8/2007 Biser

2001/0008223 A1 7/2001 Accatino
2005/0011846 A1 1/2005 Stein

* cited by examiner

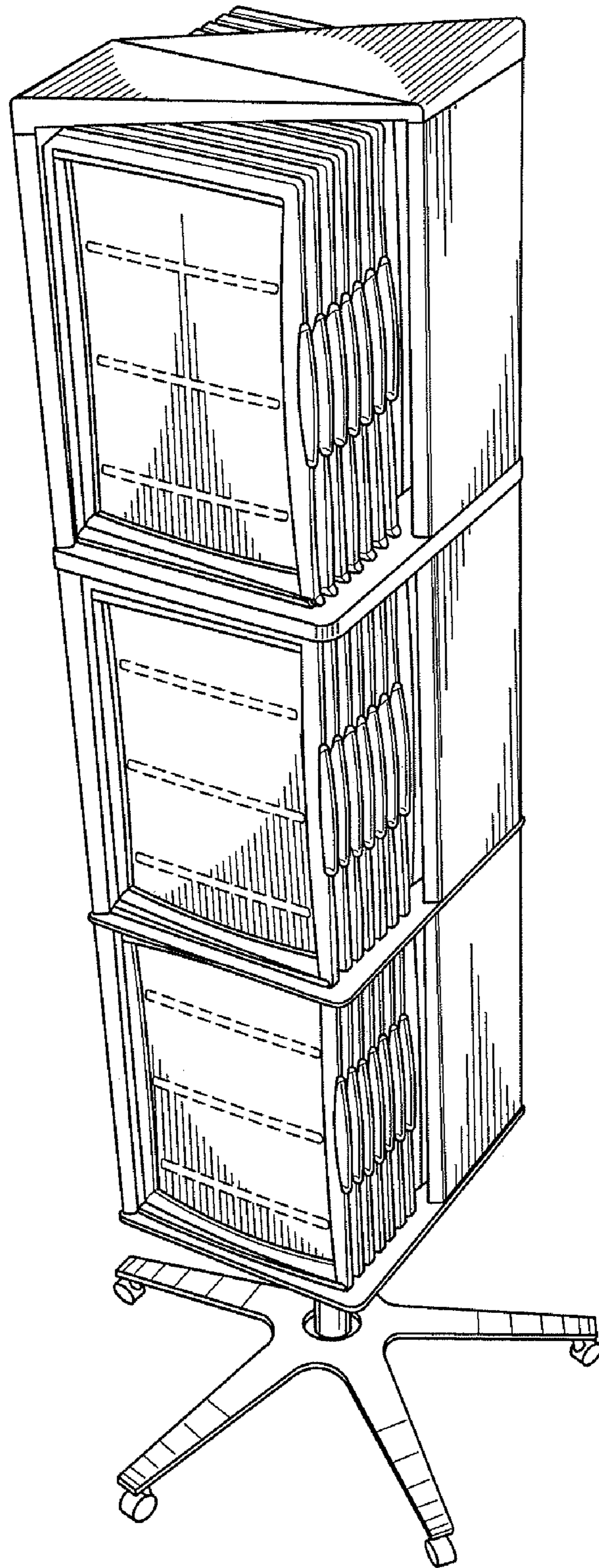


FIG. 1

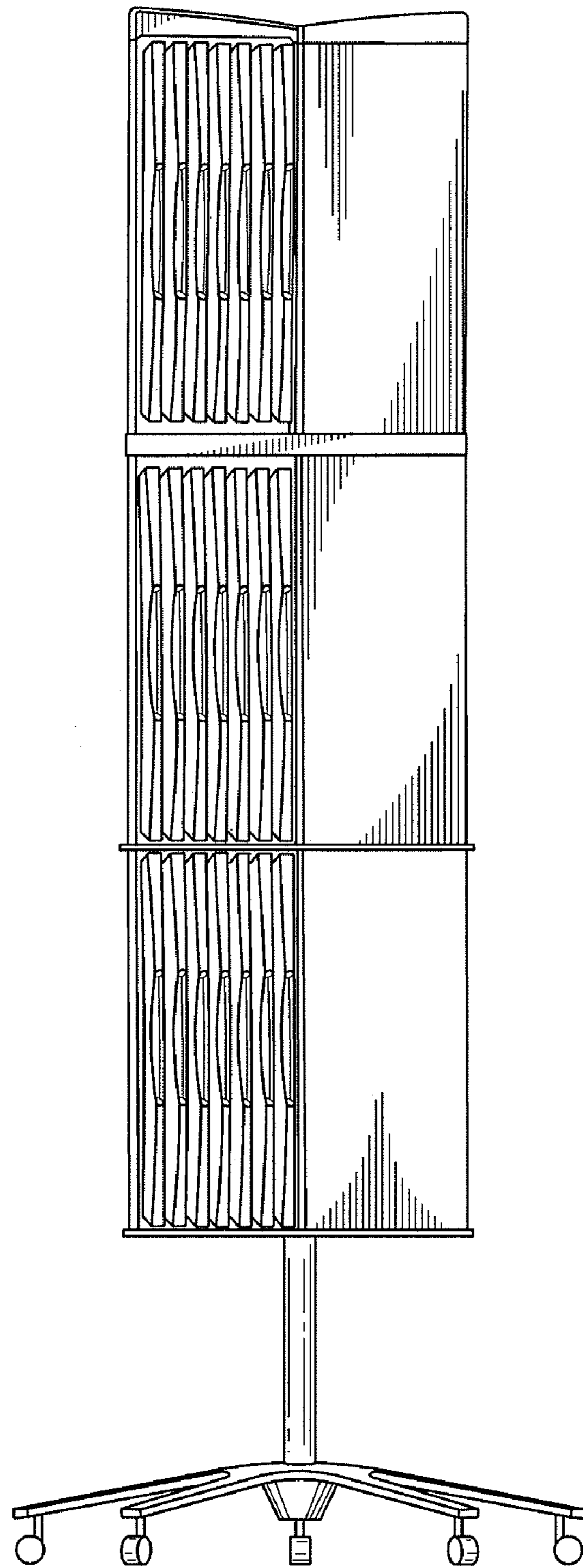


FIG. 2

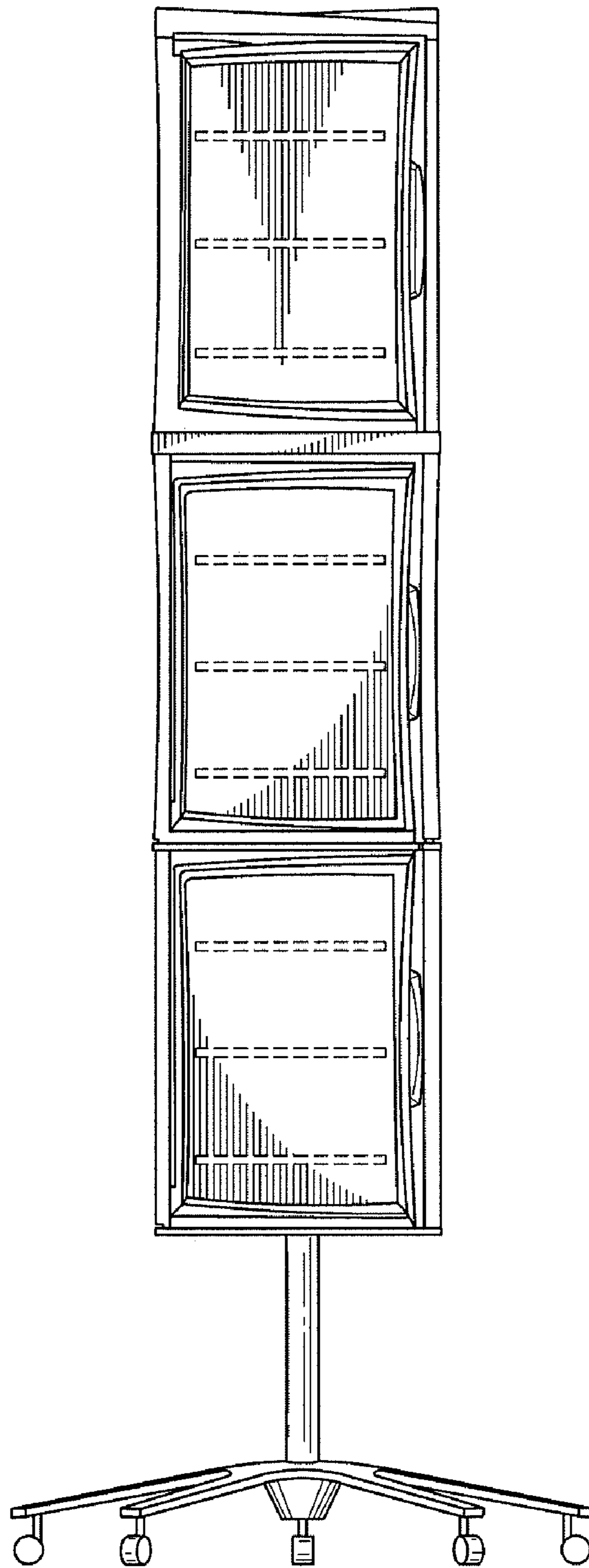


FIG. 3

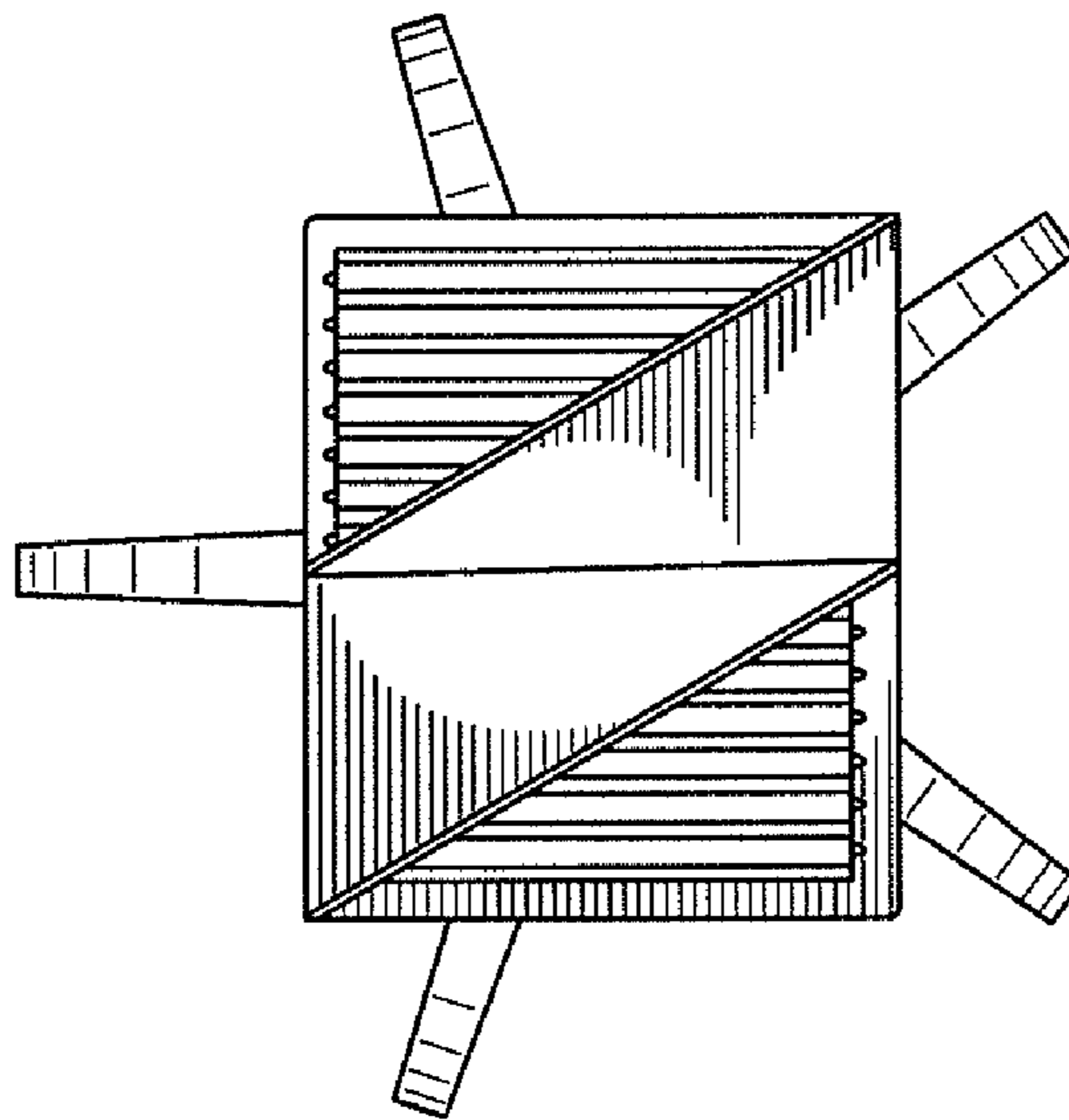


FIG. 4

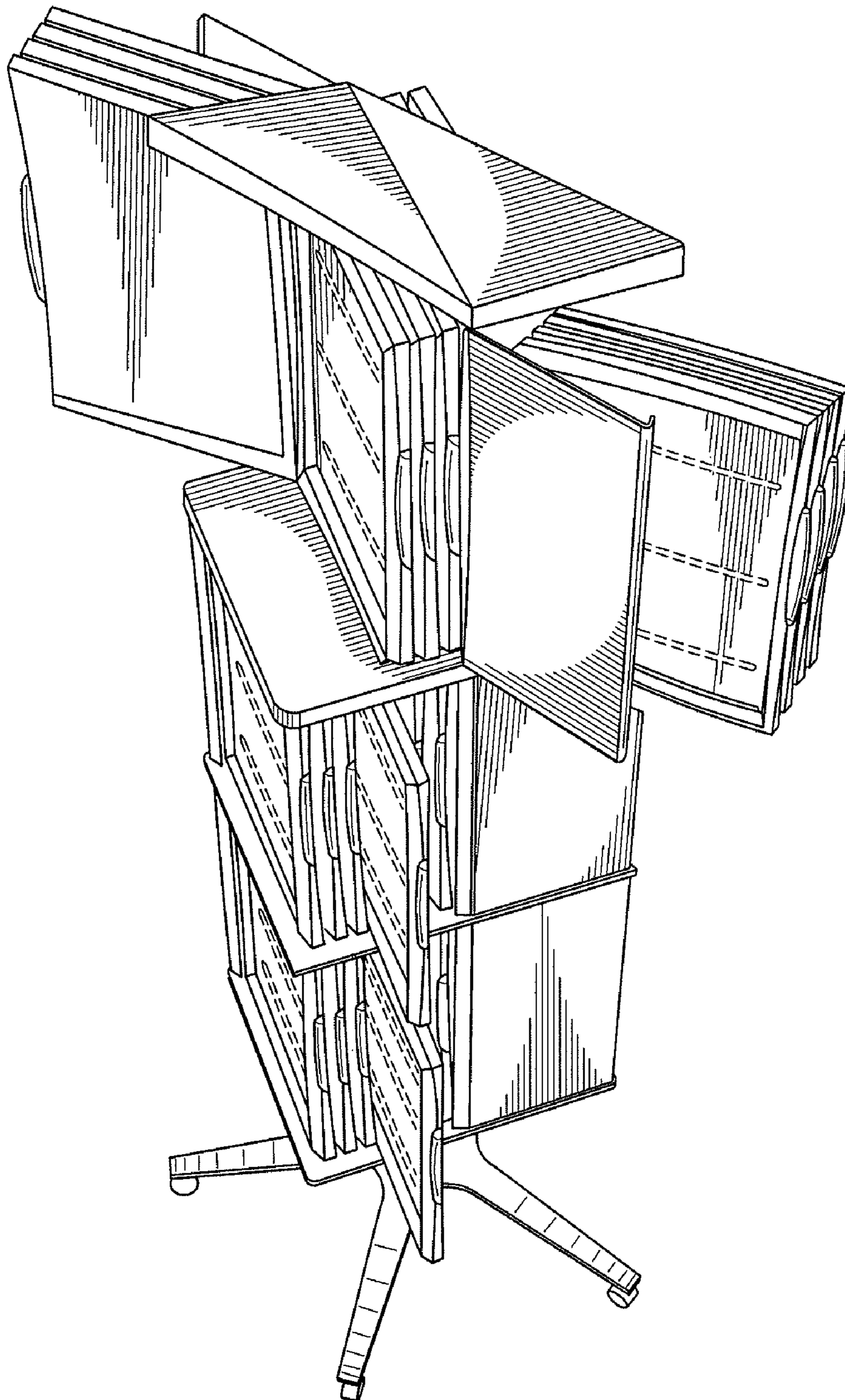


FIG. 5

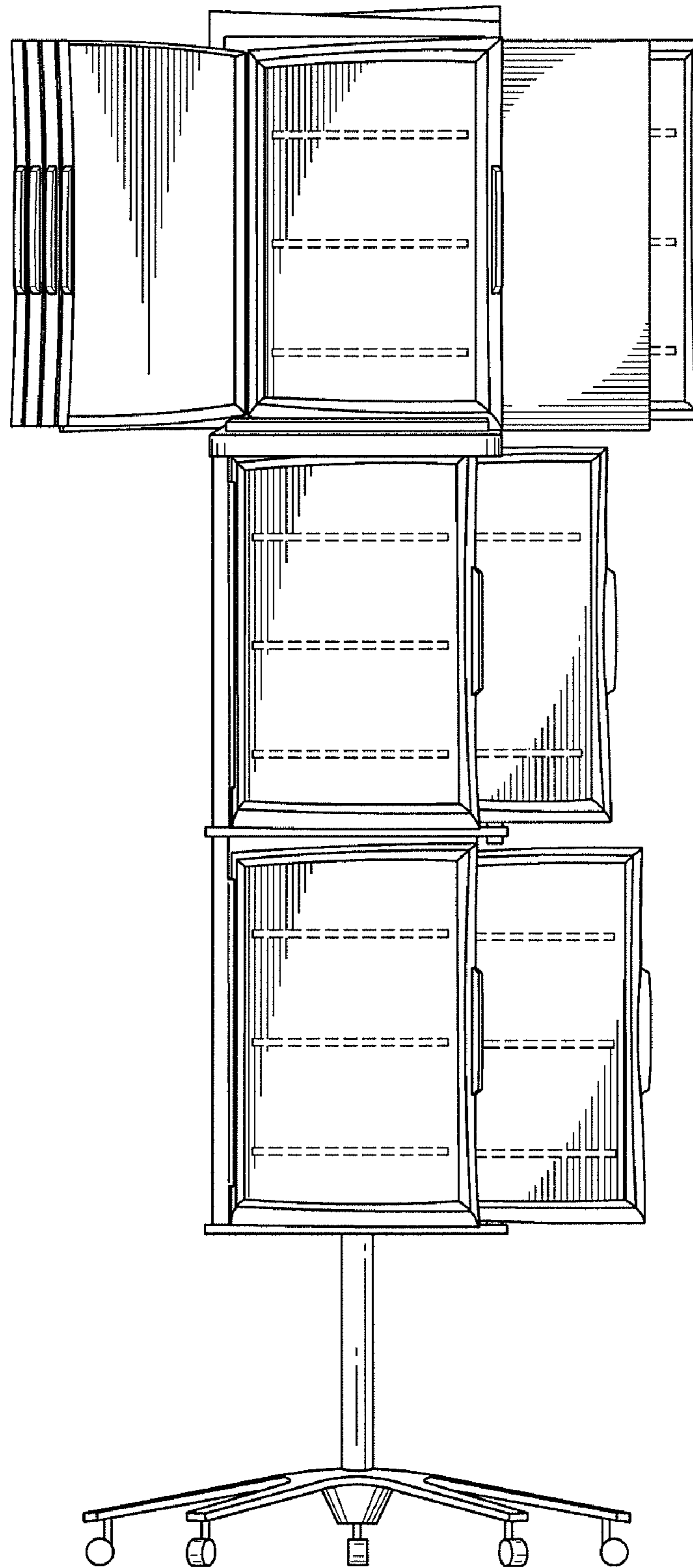


FIG. 6