



US00D630866S

(12) **United States Design Patent**
Dively et al.

(10) **Patent No.:** **US D630,866 S**
(45) **Date of Patent:** **** Jan. 18, 2011**

- (54) **RACING THEMED TABLE**
- (75) Inventors: **Greg Dively**, Cockeysville, MD (US);
John Marple, Catonsville, MD (US)
- (73) Assignee: **Sports by Design, LLC**, Baltimore, MD (US)
- (**) Term: **14 Years**
- (21) Appl. No.: **29/345,910**
- (22) Filed: **Oct. 23, 2009**
- (51) **LOC (9) Cl.** **06-03**
- (52) **U.S. Cl.** **D6/451**
- (58) **Field of Classification Search** D6/480-489,
D6/495-499, 511, 429-431, 470; 108/150,
108/153.1, 155, 156, 157.1, 161; 248/188,
248/188.1, 188.8; D12/159
See application file for complete search history.

- D391,787 S 3/1998 Horvath
- D396,766 S 8/1998 Saban
- 5,908,132 A 6/1999 Pigeon
- D422,810 S 4/2000 Rasp
- D425,729 S 5/2000 Manzak
- D432,802 S 10/2000 Taylor et al.
- D436,757 S 1/2001 Hutton
- D436,766 S 1/2001 Al-Darraj
- D443,443 S 6/2001 Welke
- D445,268 S 7/2001 Taylor et al.
- D455,294 S 4/2002 Jeup
- D465,675 S 11/2002 Bloch et al.
- D466,726 S 12/2002 Heil
- D488,336 S 4/2004 Kerr
- D489,201 S * 5/2004 Stanton D6/484
- D503,555 S 4/2005 Hightower

(Continued)

FOREIGN PATENT DOCUMENTS

EP 0857440 A1 8/1998

(Continued)

(56) **References Cited**

U.S. PATENT DOCUMENTS

- D123,687 S * 11/1940 Beecher D12/159
- D223,839 S 6/1972 Mikell
- D250,308 S * 11/1978 Adkinson D6/487
- D304,135 S * 10/1989 Mergenov D6/477
- D309,681 S 8/1990 Solomon et al.
- D309,683 S 8/1990 Solomon et al.
- 5,066,078 A 11/1991 Wurst
- D343,074 S 1/1994 Whiteaker et al.
- D343,972 S 2/1994 Pauer et al.
- 5,331,905 A 7/1994 Hammers et al.
- D349,618 S 8/1994 Barfield
- D352,180 S 11/1994 Collings
- D360,546 S 7/1995 Gibson
- D371,682 S 7/1996 Collings
- D373,265 S 9/1996 Horvath
- D374,140 S * 10/1996 Paus D6/488
- D375,640 S * 11/1996 Marx D6/482
- D380,318 S 7/1997 Horvath
- D382,148 S 8/1997 Welke et al.
- D386,018 S 11/1997 Tosto, Jr.
- D390,047 S 2/1998 Cambra

Primary Examiner—Janice E Seeger

(74) *Attorney, Agent, or Firm*—McNees Wallace & Nurick LLC

(57) **CLAIM**

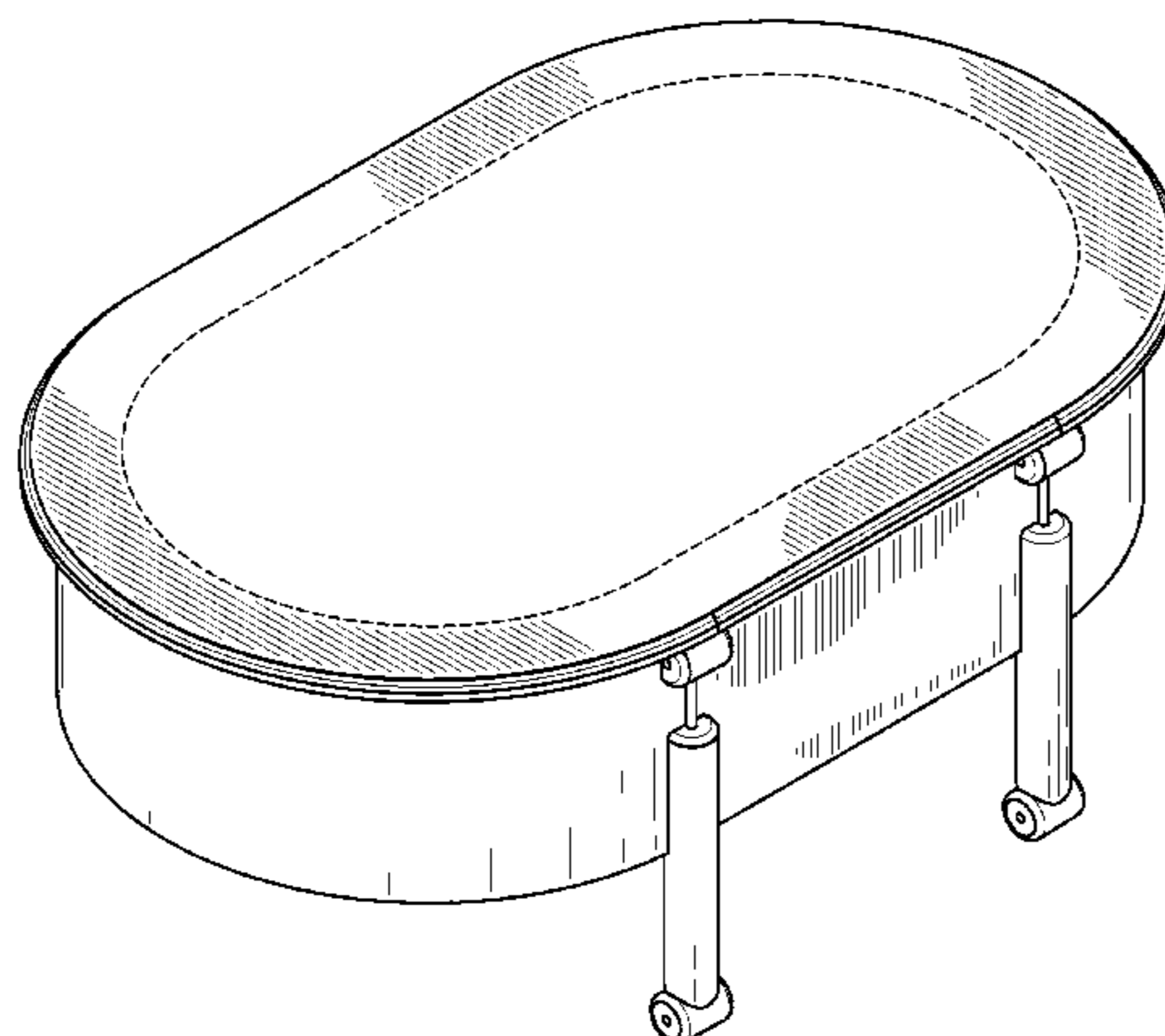
The ornamental design for a racing themed table, as shown and described.

DESCRIPTION

- FIG. 1 is a perspective view of a racing themed table;
- FIG. 2 is a top view thereof;
- FIG. 3 is a bottom view thereof;
- FIG. 4 is a first side view thereof; and,
- FIG. 5 is a second side view thereof.

The broken lines are for environmental purposes only and form no part of the claimed design.

1 Claim, 3 Drawing Sheets



US D630,866 S

Page 2

U.S. PATENT DOCUMENTS

D529,731 S 10/2006 McCabe
D572,040 S 7/2008 D'Onofrio
D577,514 S 9/2008 Dimauro
7,578,507 B2 * 8/2009 Slappay 273/309
2003/0071545 A1 4/2003 Fink

2006/0000393 A1 1/2006 Ka'ahumanu
2006/0169184 A1 8/2006 Funkhouser

FOREIGN PATENT DOCUMENTS

JP 2006141965 6/2006

* cited by examiner

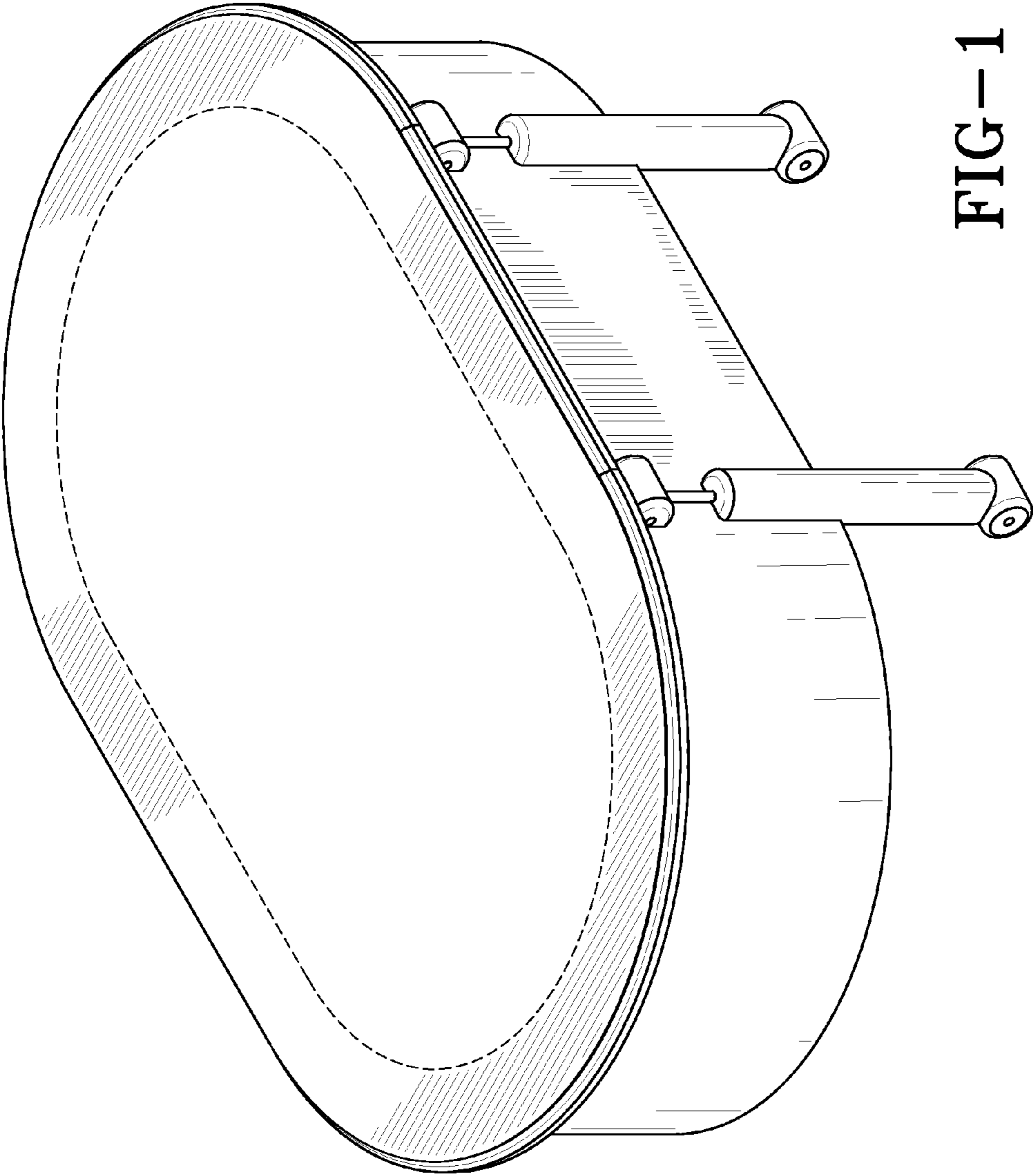


FIG-1

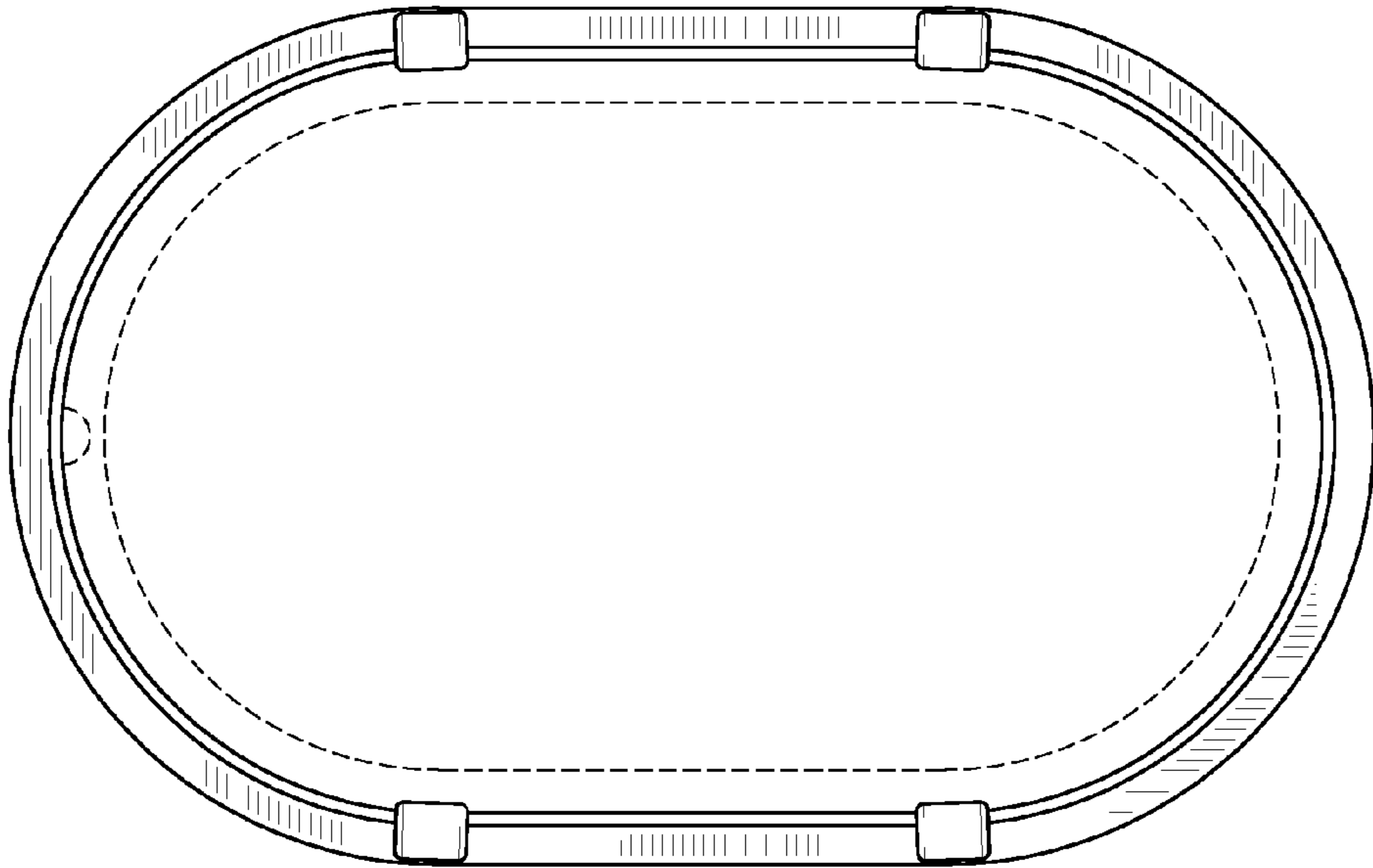


FIG-3

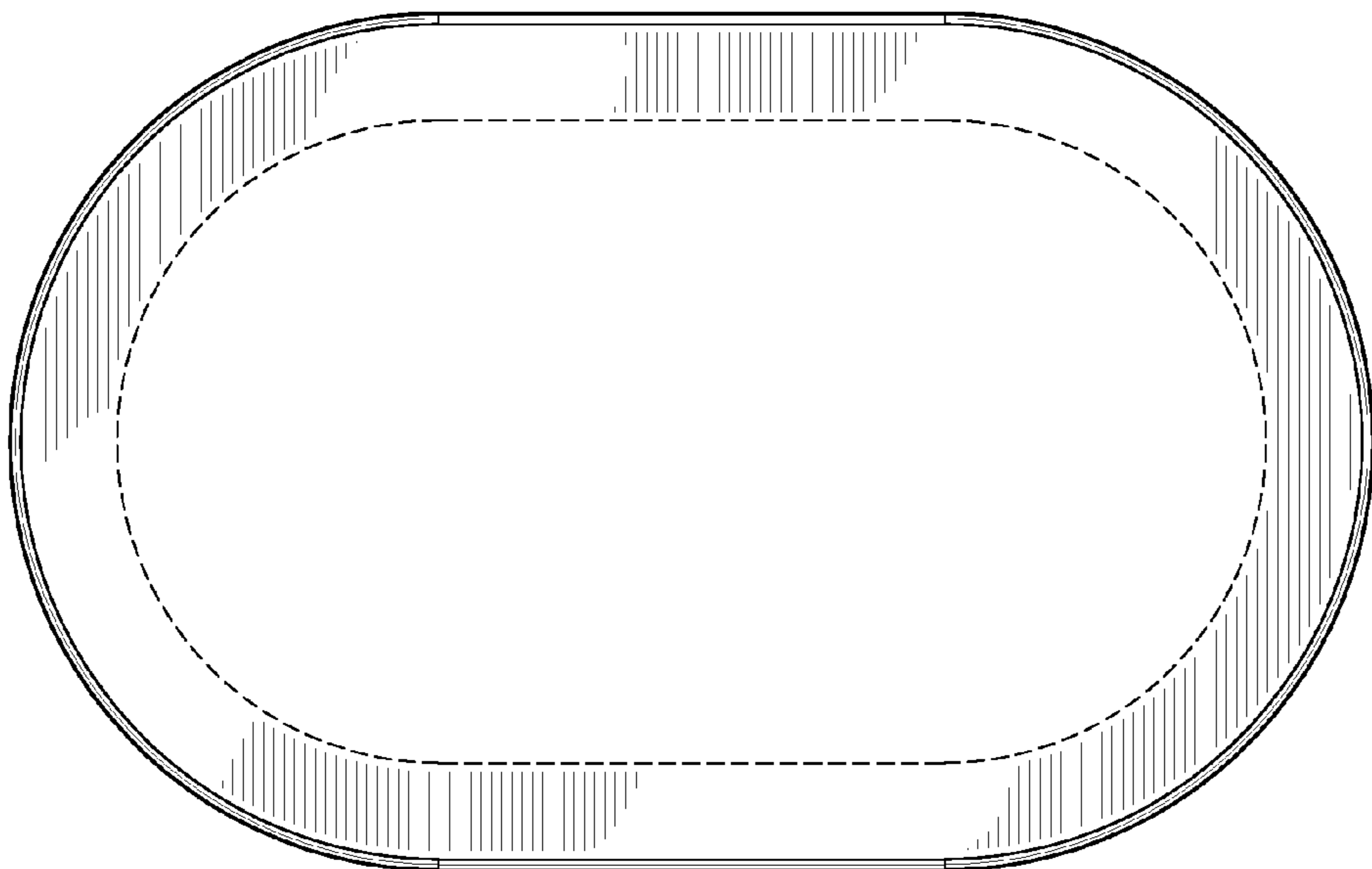


FIG-2

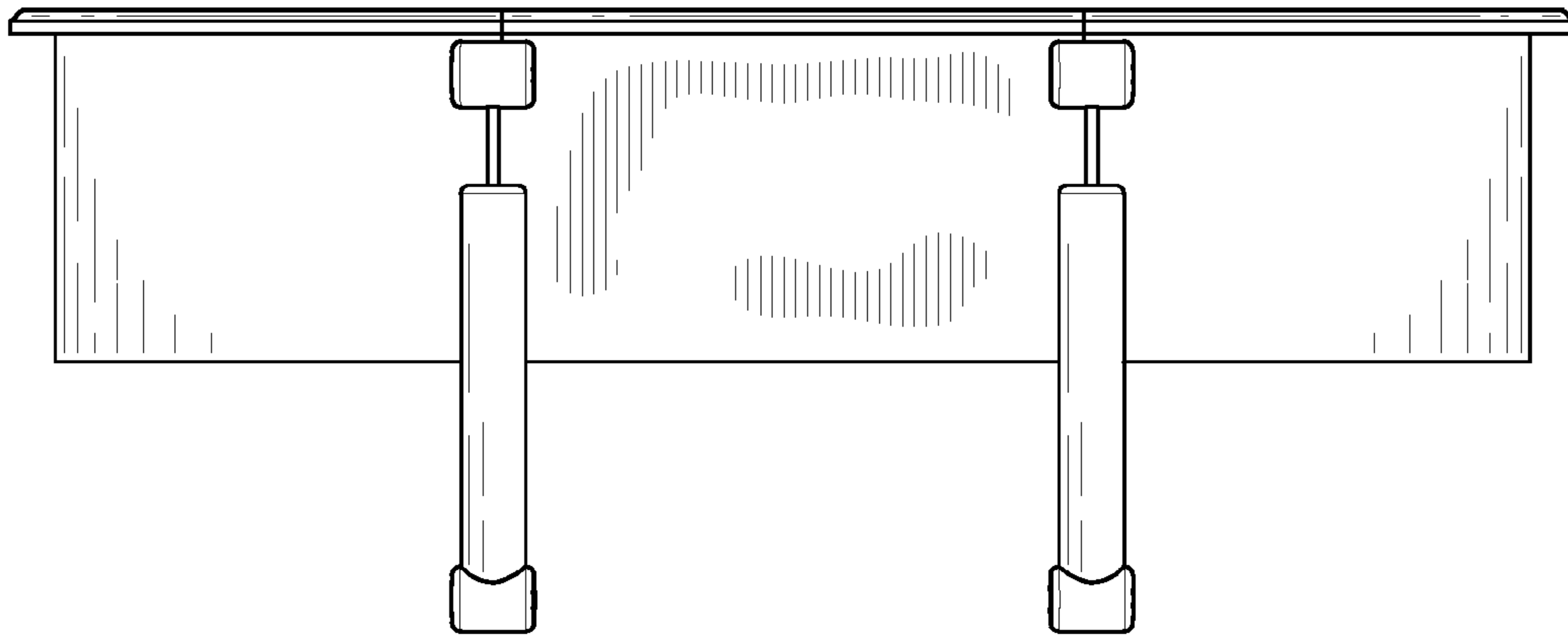


FIG-4

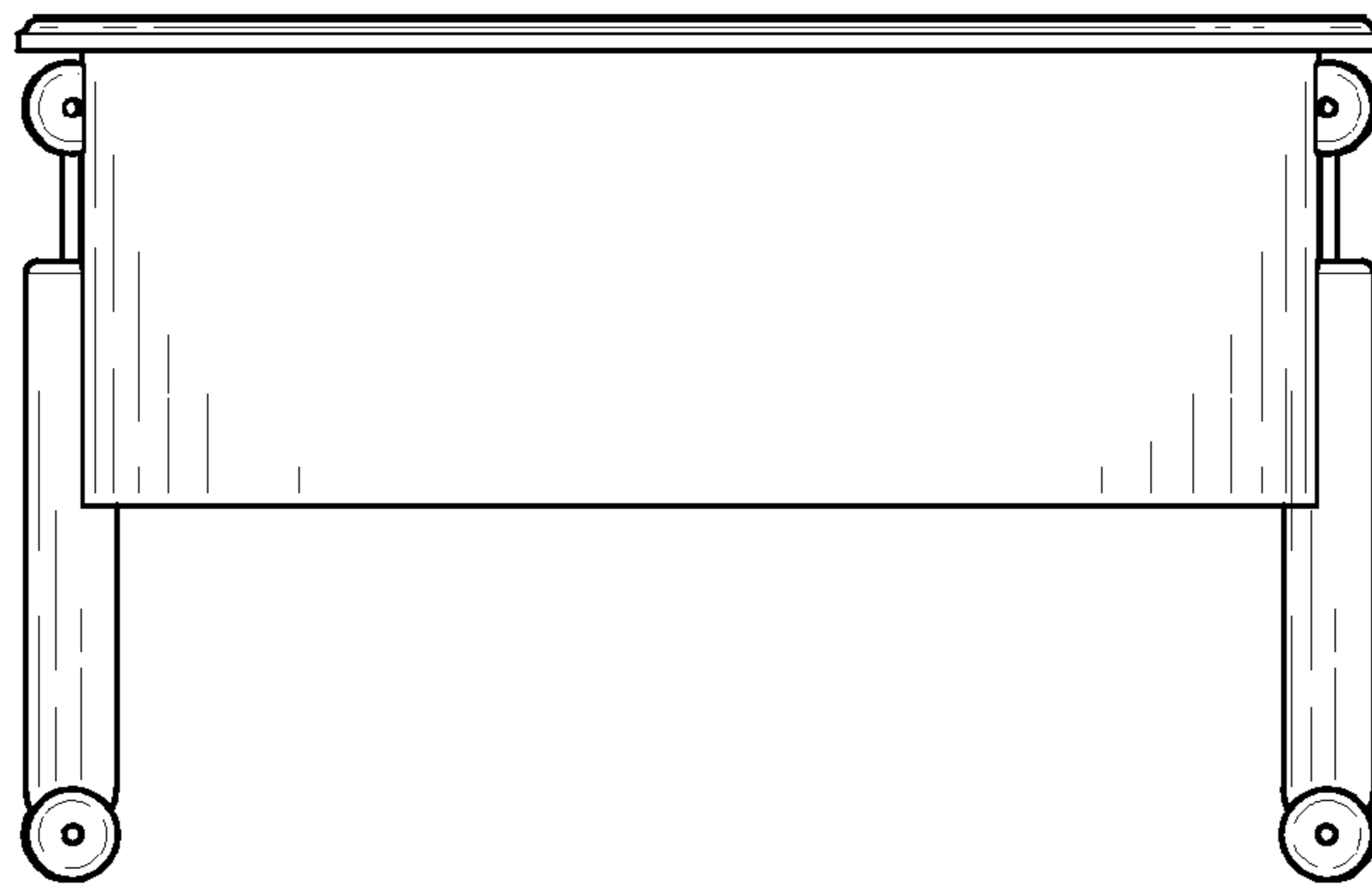


FIG-5