



US00D630863S

(12) **United States Design Patent**  
**Yeung**

(10) **Patent No.:** **US D630,863 S**  
(45) **Date of Patent:** **\*\* Jan. 18, 2011**

(54) **BABY BATHING SEAT**

(75) Inventor: **Kwok Lam Yeung**, Kwai Chung (HK)

(73) Assignee: **Plastmetic (Hong Kong) Manufactory Ltd.**, Kwai Chung (HK)

(\*\*) Term: **14 Years**

(21) Appl. No.: **29/365,627**

(22) Filed: **Jul. 12, 2010**

(51) **LOC (9) Cl.** ..... **06-01**

(52) **U.S. Cl.** ..... **D6/333**

(58) **Field of Classification Search** ..... D6/333,  
D6/335, 339, 491, 500-502, 344, 374; 4/572.1,  
4/571.1, 578.1, 586, 590; 297/183.1-183.4,  
297/183.13, 183.17, 250.1, 256.15, 467,  
297/487, 488

See application file for complete search history.

(56) **References Cited**

**U.S. PATENT DOCUMENTS**

D320,528 S \* 10/1991 Bernstein et al. .... D6/333  
D348,309 S \* 6/1994 Freese et al. .... D23/303  
5,317,765 A \* 6/1994 Knoedler et al. .... 4/572.1  
D382,719 S \* 8/1997 Conrado et al. .... D6/333  
5,687,433 A \* 11/1997 Garner et al. .... 4/572.1

D468,913 S \* 1/2003 Desnos ..... D6/333  
D489,538 S \* 5/2004 Shibata et al. .... D6/333  
D553,865 S \* 10/2007 Buitendach ..... D6/333  
D573,800 S \* 7/2008 Backstrom et al. .... D6/333

\* cited by examiner

*Primary Examiner*—Caron Veynar

*Assistant Examiner*—Abraham Bahta

(74) *Attorney, Agent, or Firm*—Intellectual Property Law Group LLP; Juenko Jackson; Otto O. Lee

(57) **CLAIM**

The ornamental design for a baby bathing seat, as shown and described.

**DESCRIPTION**

FIG. 1 is a front, right side perspective view of a baby bathing seat embodying my new design;

FIG. 2 is a front elevational view thereof;

FIG. 3 is a rear elevational view thereof;

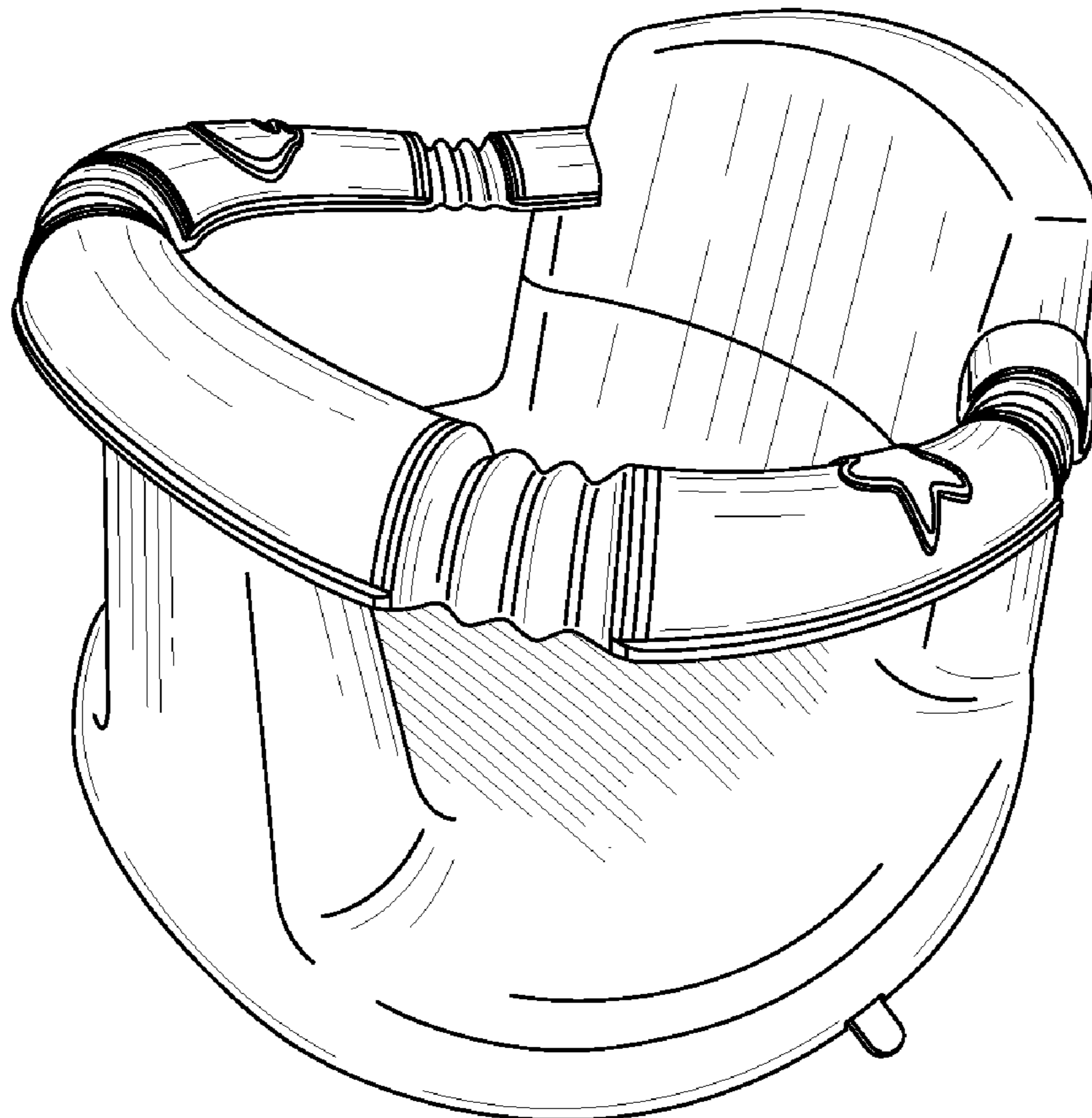
FIG. 4 is a right side elevational view thereof;

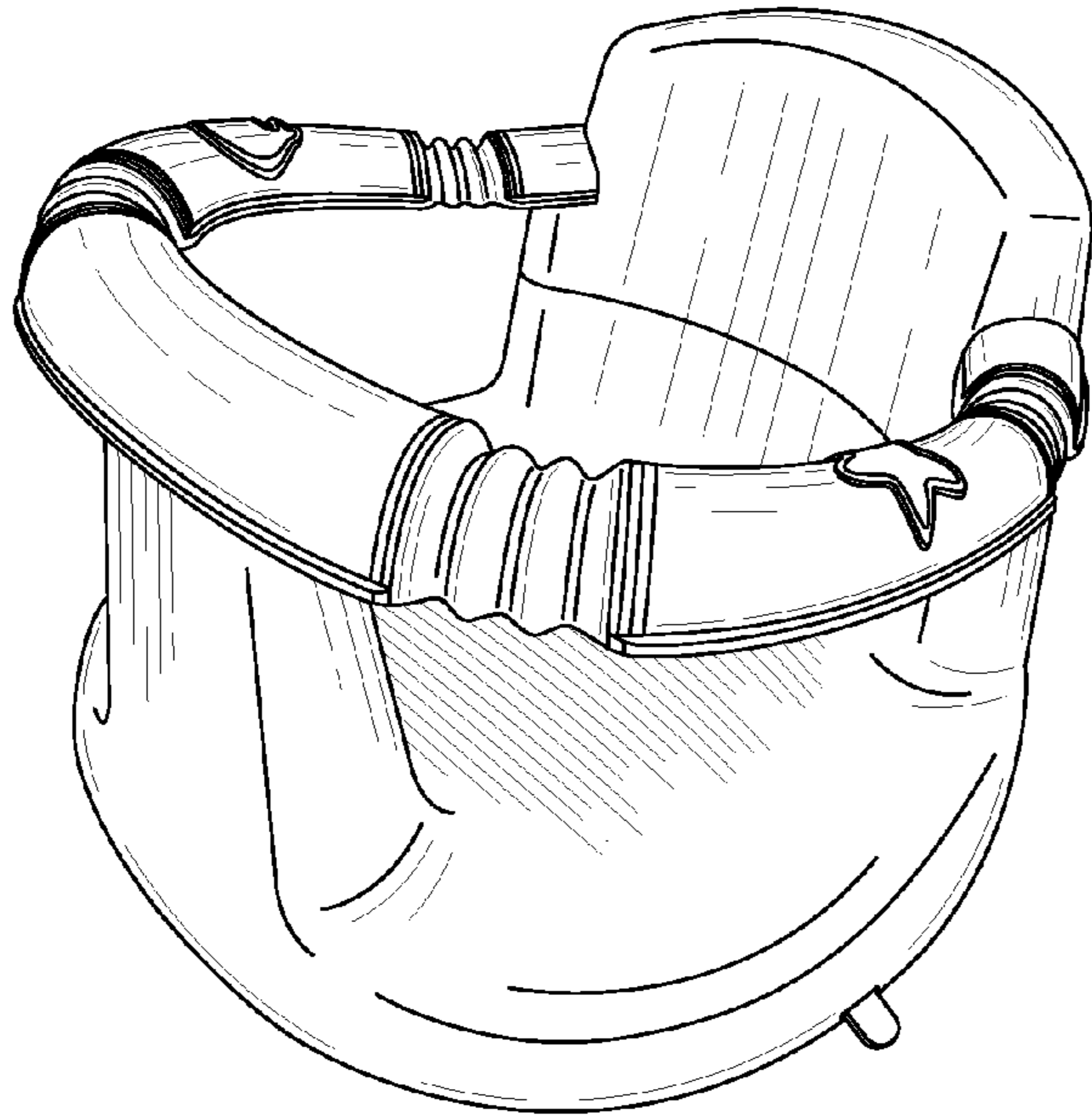
FIG. 5 is a left side elevational view thereof;

FIG. 6 is a top plan view thereof; and,

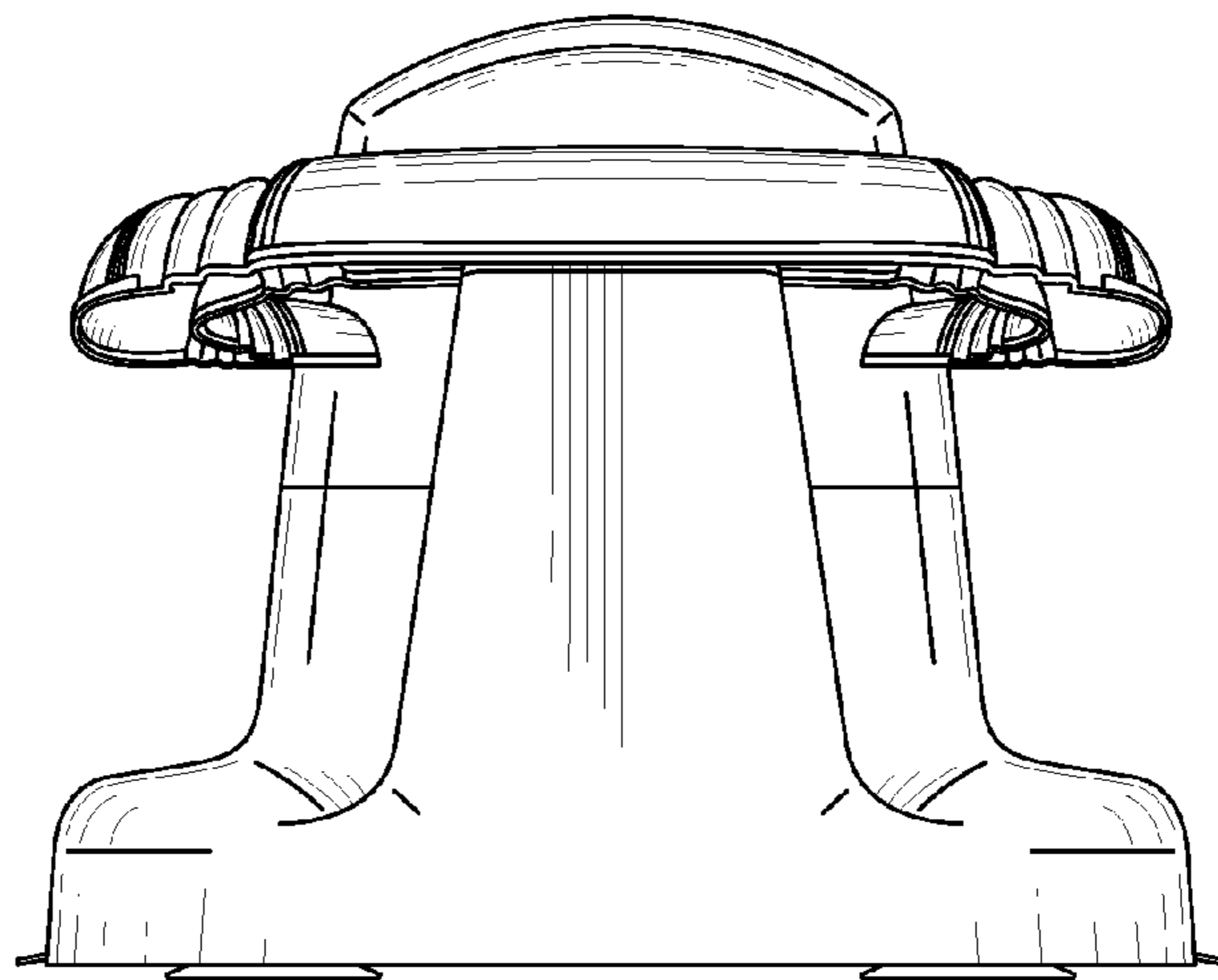
FIG. 7 is a bottom plan view thereof.

**1 Claim, 3 Drawing Sheets**

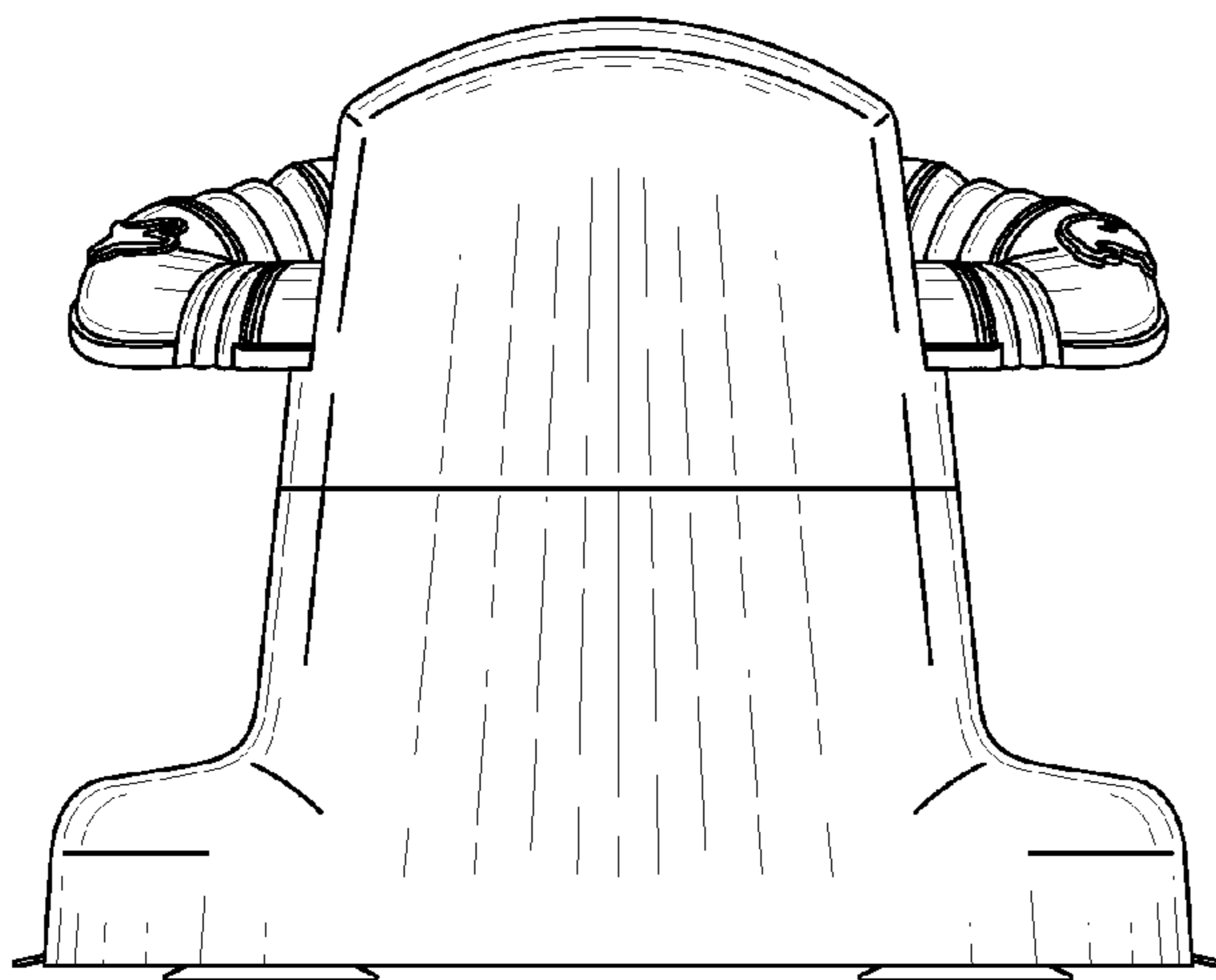




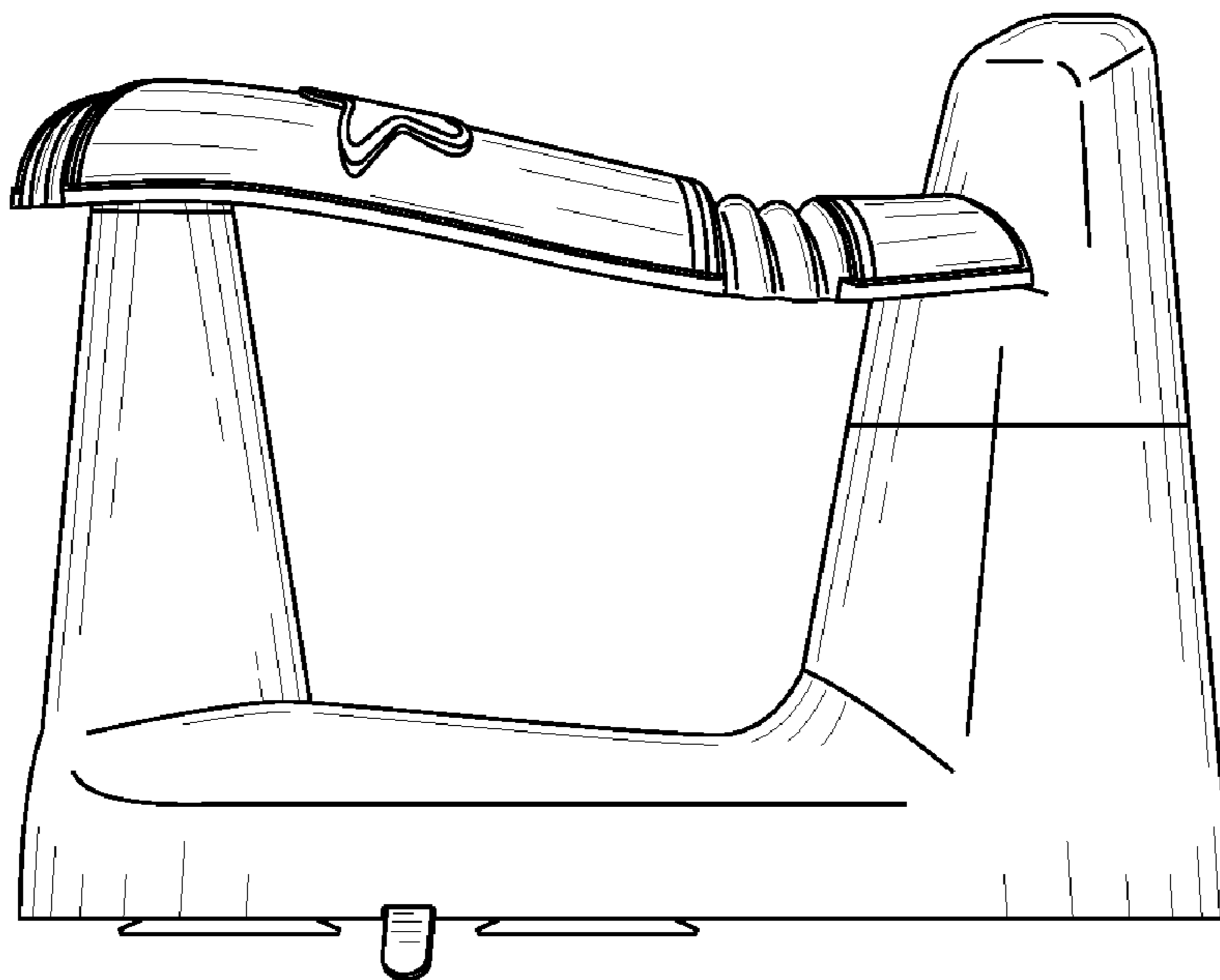
**FIG. 1**



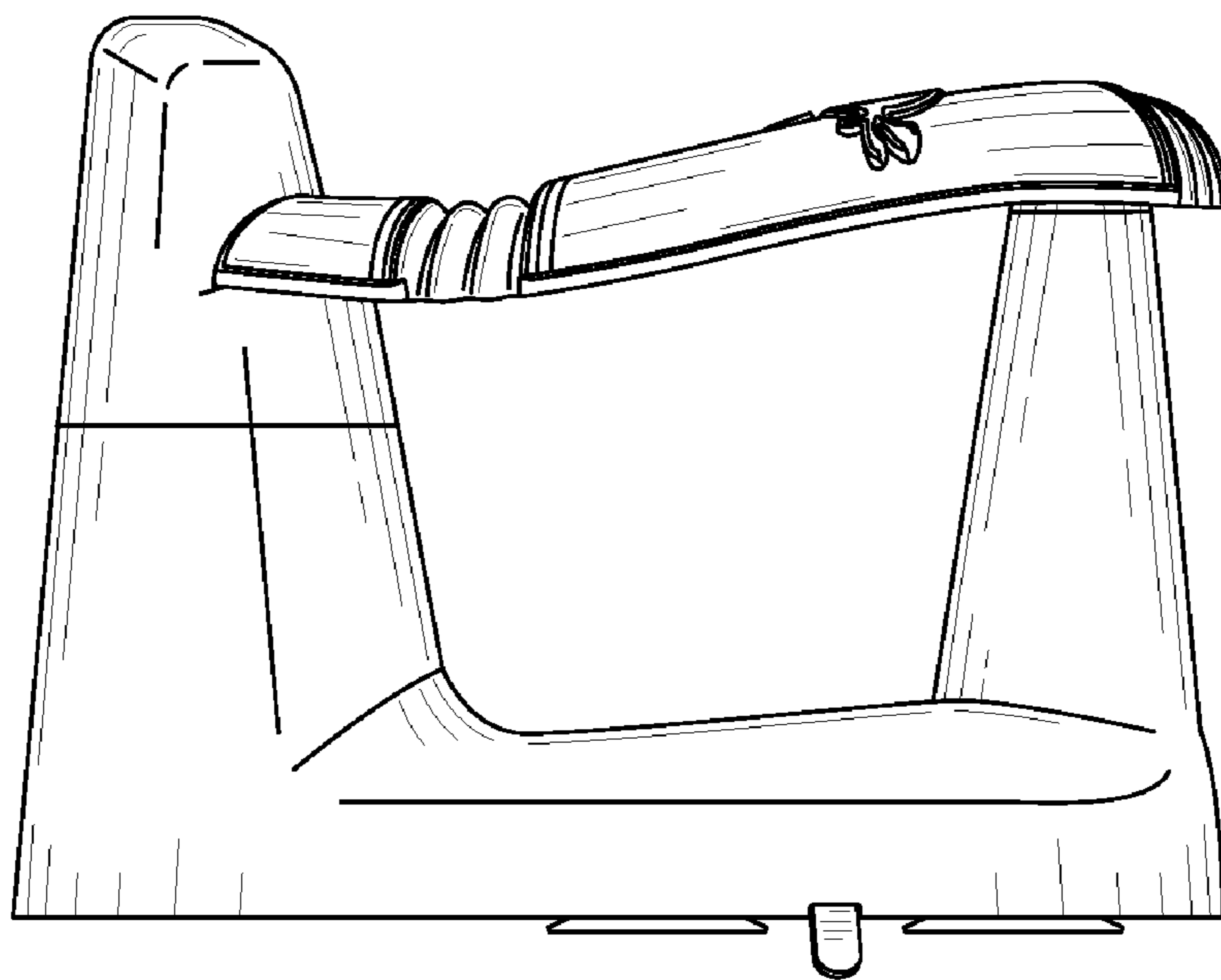
**FIG. 2**



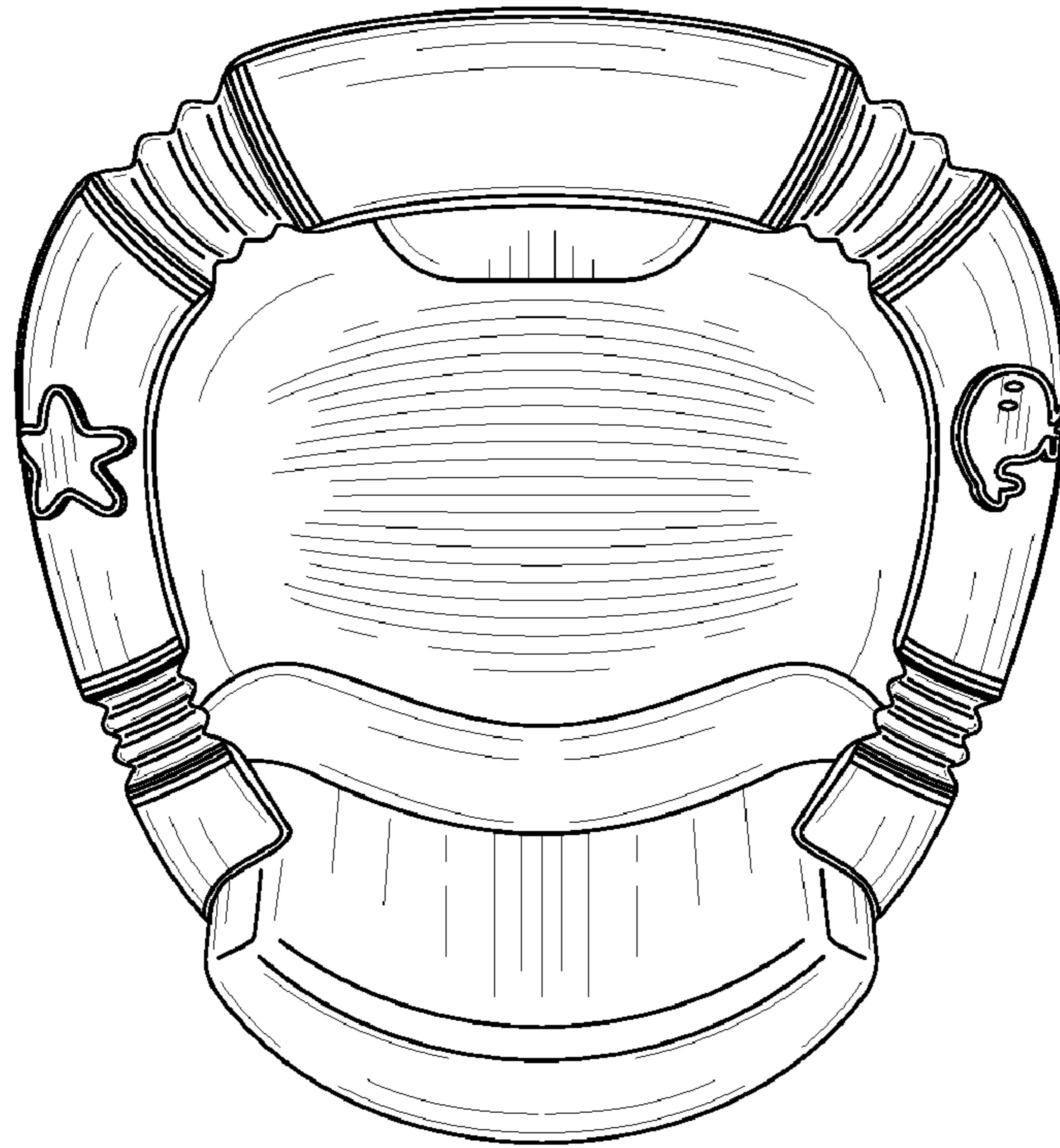
**FIG. 3**



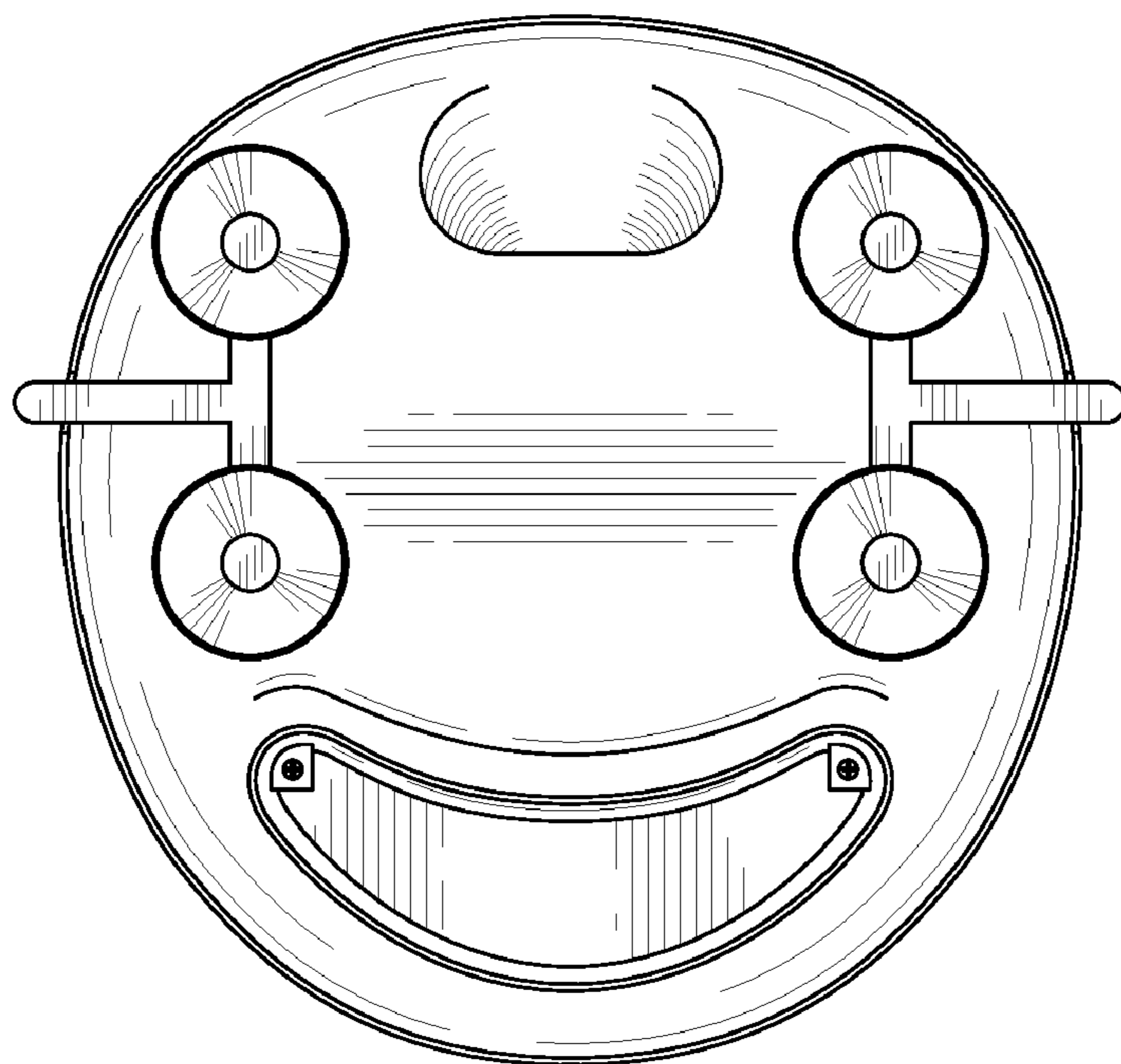
**FIG. 4**



**FIG. 5**



**FIG. 6**



**FIG. 7**