



US00D630857S

(12) **United States Design Patent**
Cox et al.

(10) **Patent No.:** **US D630,857 S**
(45) **Date of Patent:** **** Jan. 18, 2011**

(54) **UTILITY SCRUB BRUSH**

(75) Inventors: **Randy C. Cox**, Greenville, NC (US);
Norwood Teachey, Jr., Raleigh, NC
(US); **Donald Jones**, Greenville, NC
(US)

(73) Assignee: **Harper Brush Works, Inc.**, Fairfield, IA
(US)

(**) Term: **14 Years**

(21) Appl. No.: **29/345,519**

(22) Filed: **Oct. 16, 2009**

(51) **LOC (9) Cl.** **04-01**

(52) **U.S. Cl.** **D4/138**

(58) **Field of Classification Search** D4/132-134;
D28/63; 15/143.1, 159.1, 160, 186-188;
16/110.1, 430, DIG. 12, DIG. 19; 132/120,
132/313

See application file for complete search history.

(56) **References Cited**

U.S. PATENT DOCUMENTS

D201,377 S *	6/1965	Furness	D7/395
D227,826 S *	7/1973	Lindbo	D4/133
D288,989 S *	3/1987	Camardello	D4/138
D314,282 S *	2/1991	Gingras	D4/138
D344,634 S *	3/1994	Berti	D4/138
D358,491 S *	5/1995	Hoagland	D4/138

(Continued)

Primary Examiner—Cathron C Brooks

Assistant Examiner—Barbara Fox

(74) *Attorney, Agent, or Firm*—Husch Blackwell Welsh Katz

(57) **CLAIM**

The ornamental design for the utility scrub brush, as shown and described.

DESCRIPTION

FIG. 1. is a perspective view of the utility scrub brush of the subject invention.

FIG. 2 is a bottom view of the utility scrub brush of FIG. 1.

FIG. 3. is a front view of the utility scrub brush of FIG. 1.

FIG. 4. is a right side view of the utility scrub brush of FIG. 1.

FIG. 5. is a top view of the utility scrub brush of FIG. 1.

FIG. 6 is a left side view of the utility scrub brush of FIG. 1.

FIG. 7 is a back view of the utility scrub brush of FIG. 1.

FIG. 8 is a perspective view of a second embodiment of the subject invention, shown broken away to a non-specified length.

FIG. 9 is a bottom view of a second embodiment of the subject invention, shown broken away to a non-specified length.

FIG. 10 is a right side view of a second embodiment of the subject invention, shown broken away to a non-specified length.

FIG. 11 is a top view of a second embodiment of the subject invention, shown broken away to a non-specified length.

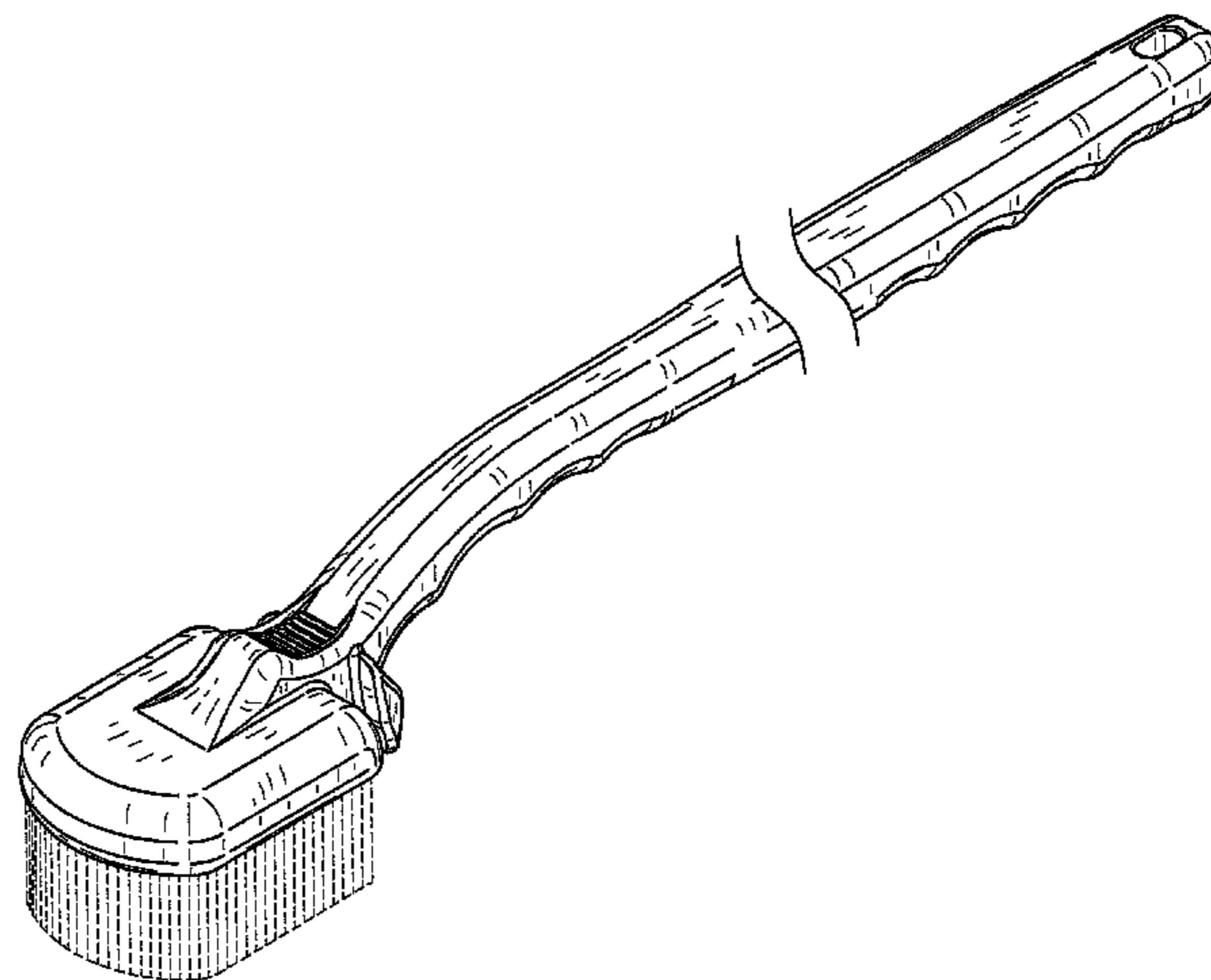
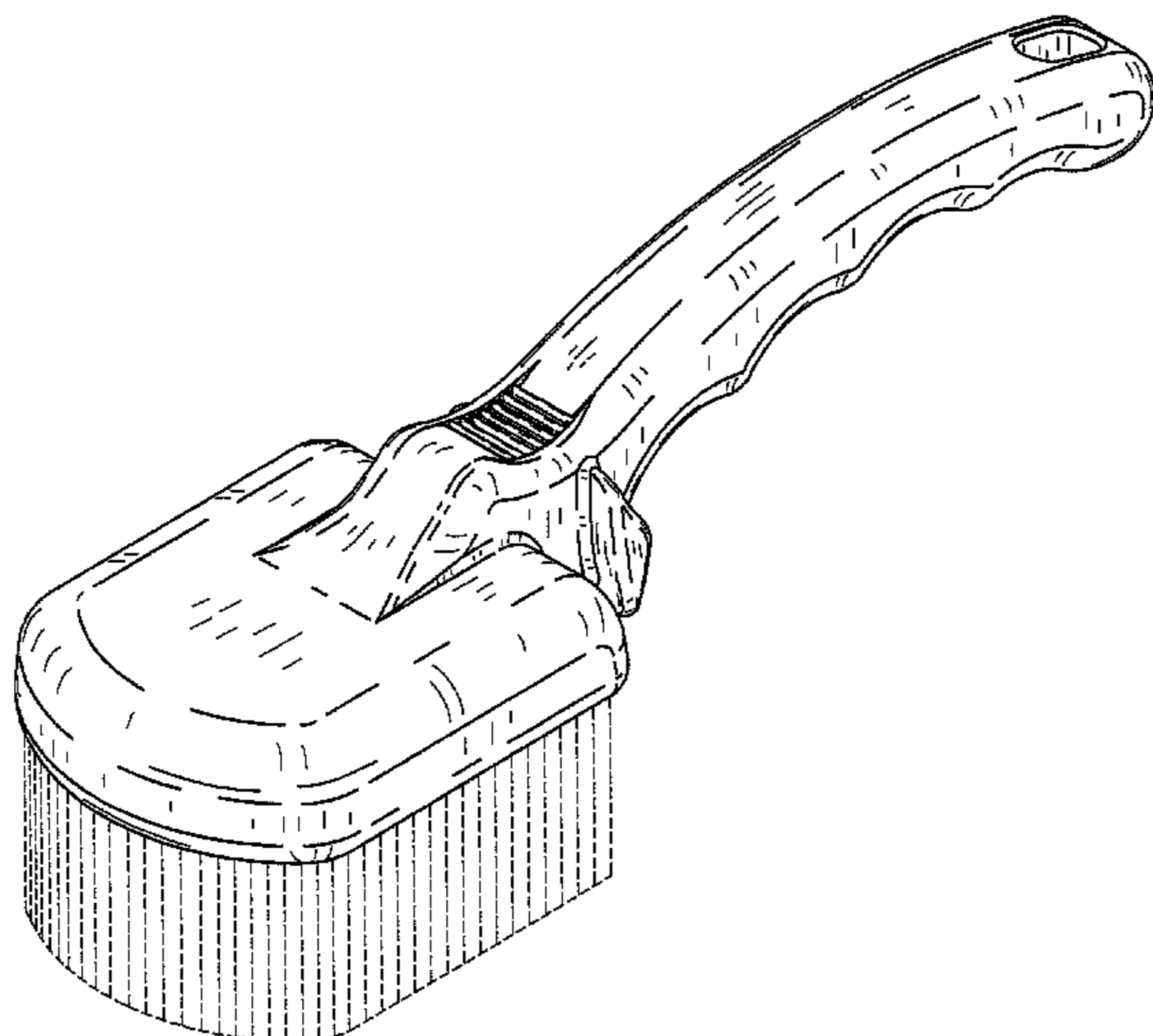
FIG. 12 is a left side view of a second embodiment of the subject invention, shown broken away to a non-specified length.

FIG. 13 is a front view of a second embodiment of the subject invention, shown broken away to a non-specified length; and,

FIG. 14 is a back view of a second embodiment of the subject invention, shown broken away to a non-specified length.

The broken lines of FIGS. 1 and 8 are for purposes of illustrating unclaimed portions of the utility scrub brush and form no part of the claimed design.

1 Claim, 7 Drawing Sheets



US D630,857 S

Page 2

U.S. PATENT DOCUMENTS

D363,609 S	*	10/1995	Bochnak et al.	D4/138	D501,325 S	*	2/2005	Berti	D4/138
D371,002 S	*	6/1996	Berti	D4/138	D527,189 S	*	8/2006	Hay et al.	D4/138
D376,912 S		12/1996	Stein		D579,668 S	*	11/2008	Zemel	D4/138
D410,147 S		5/1999	King et al.		D584,060 S	*	1/2009	Hay et al.	D4/138
D410,790 S		6/1999	King et al.		D598,202 S		8/2009	McNeil et al.	
D422,148 S		4/2000	King et al.		D598,203 S	*	8/2009	McNeil et al.	D4/134

* cited by examiner

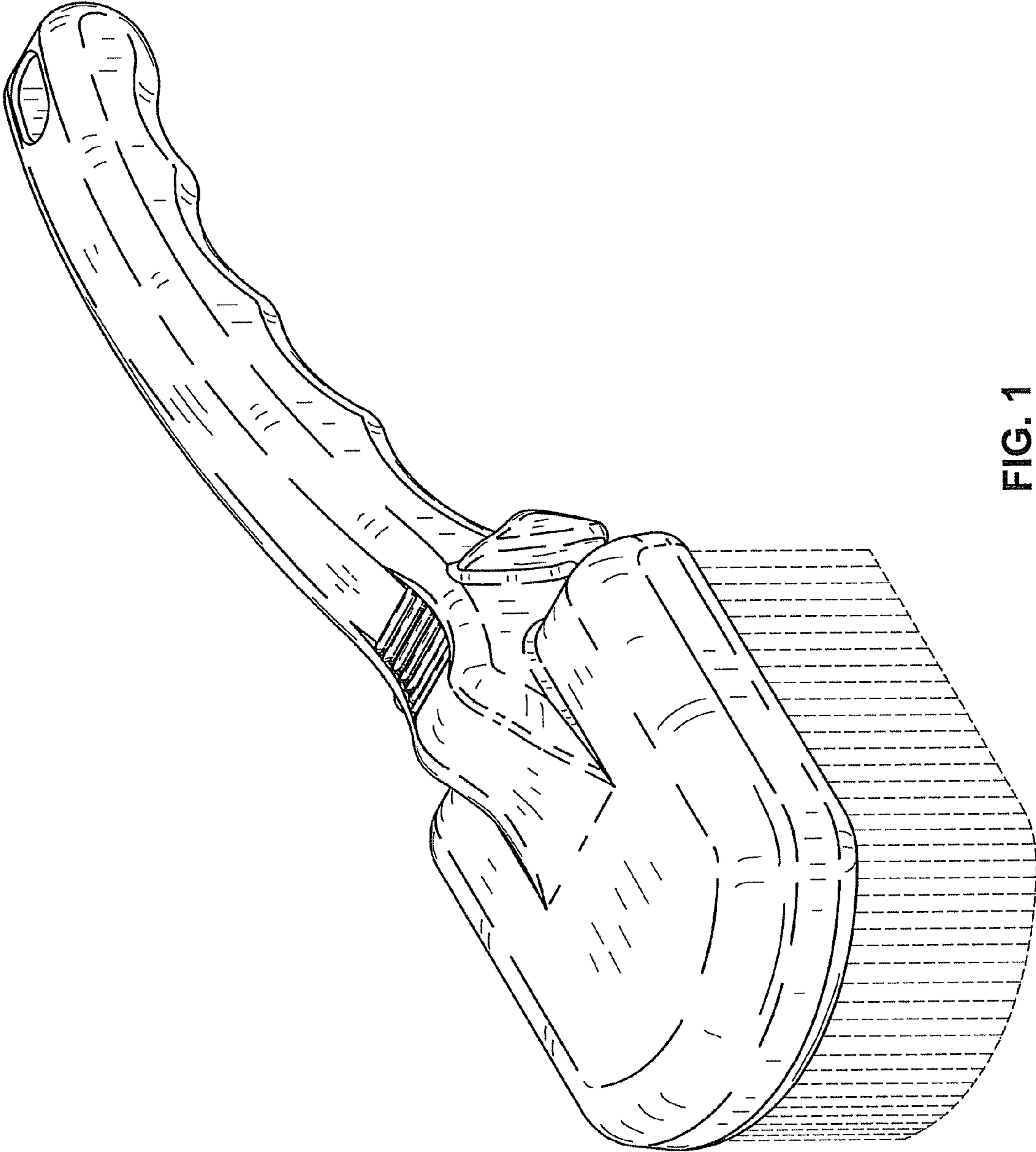


FIG. 1

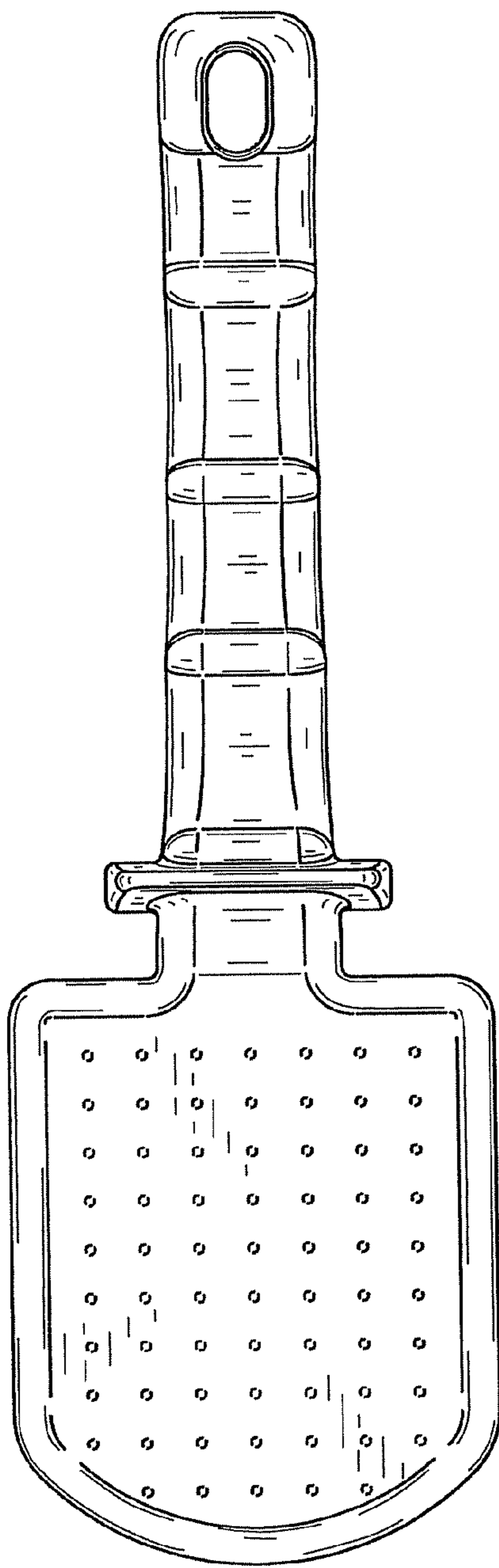


FIG. 2

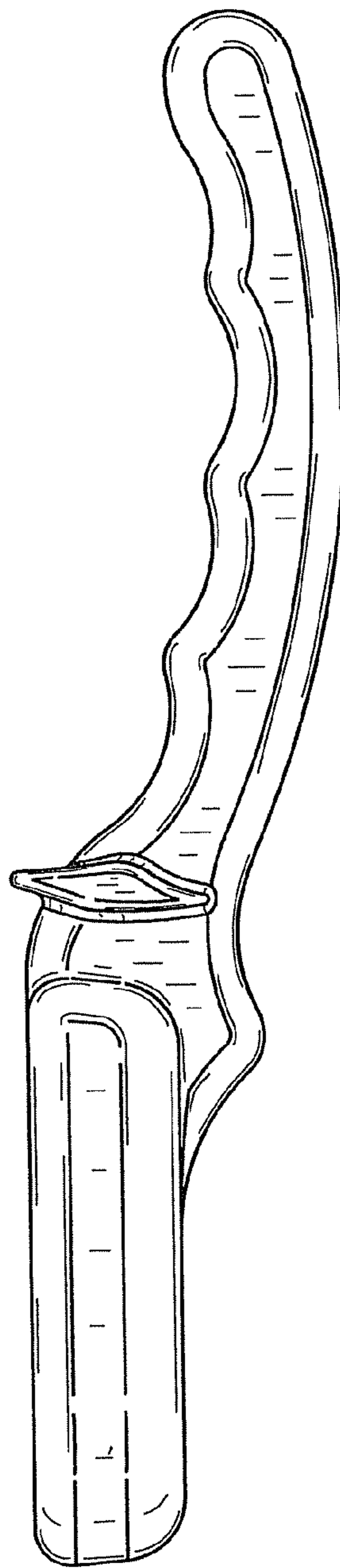


FIG. 3

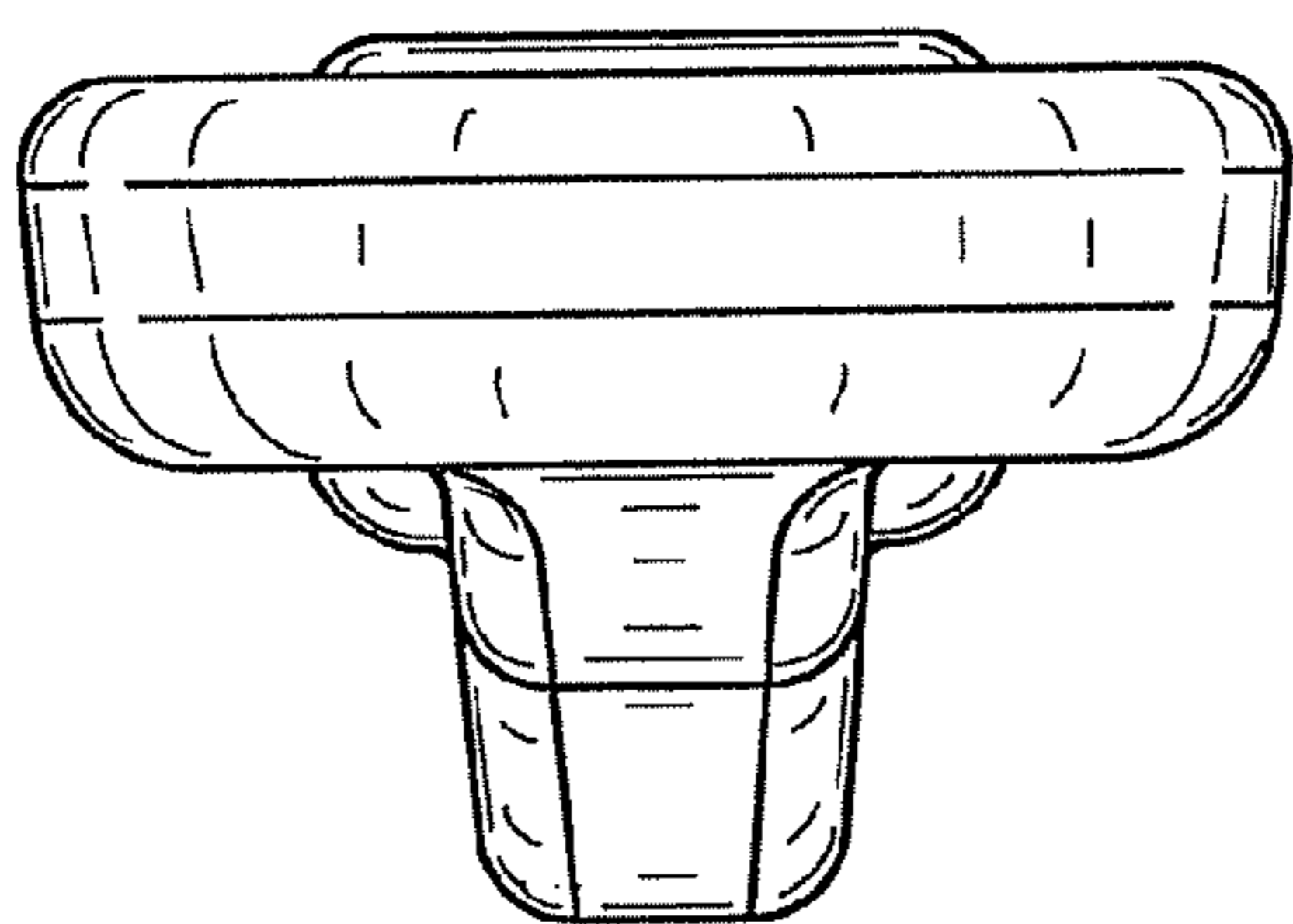


FIG. 4

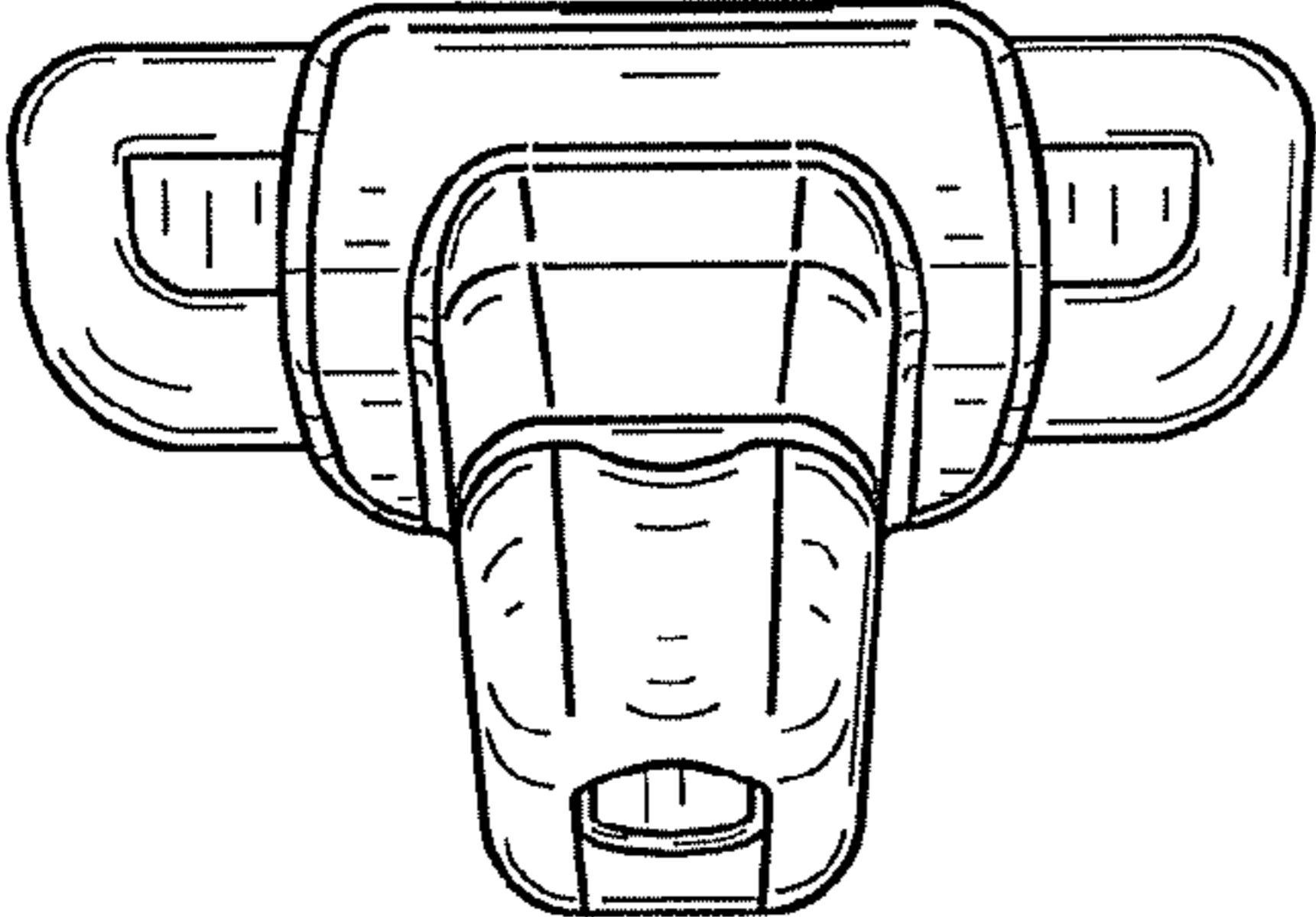


FIG. 7

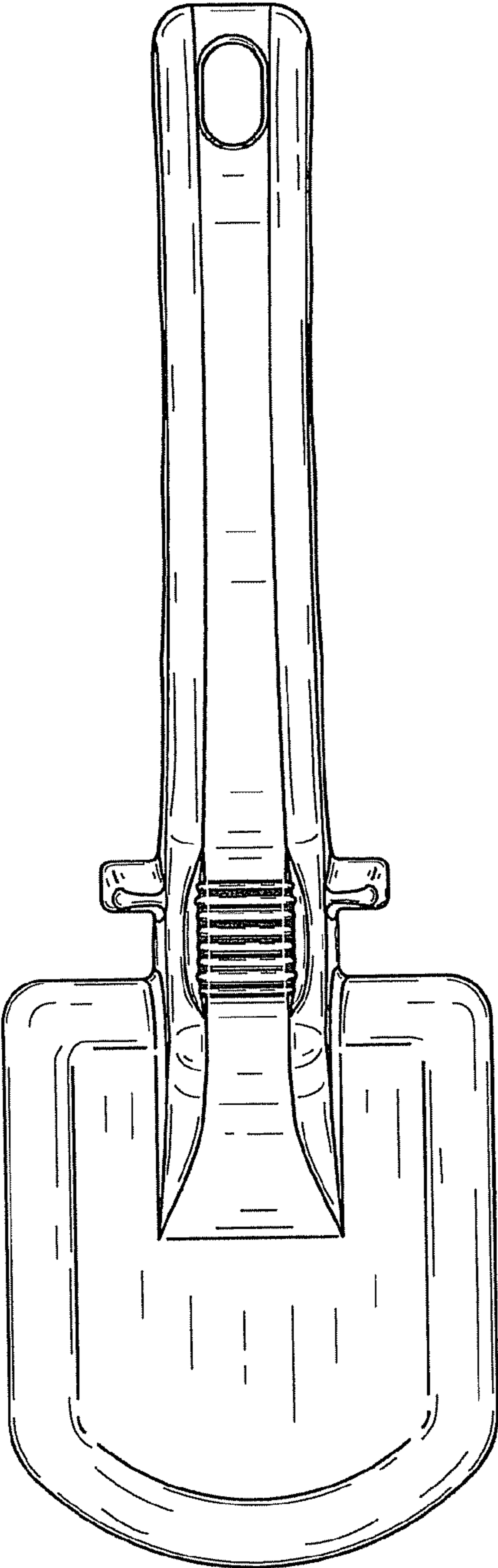


FIG. 5

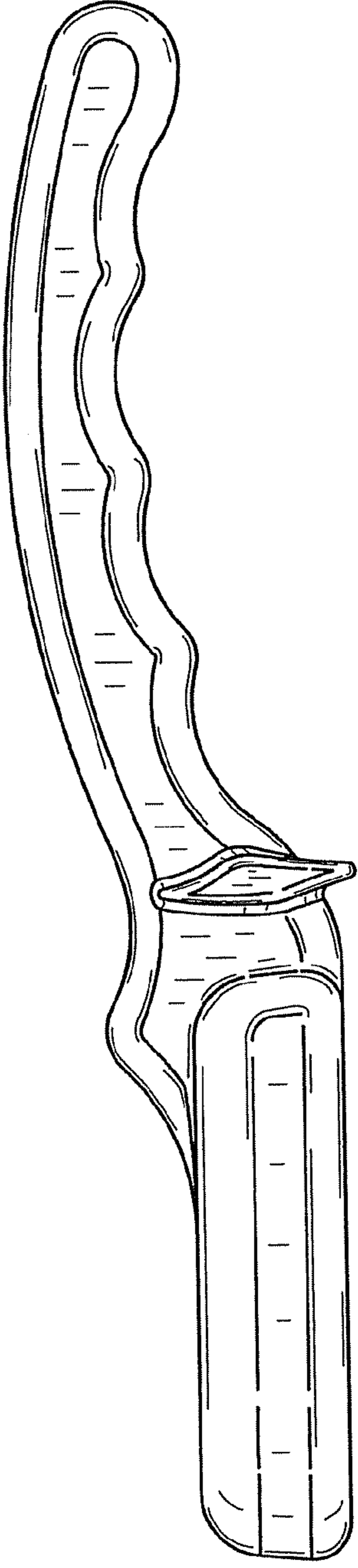


FIG. 6

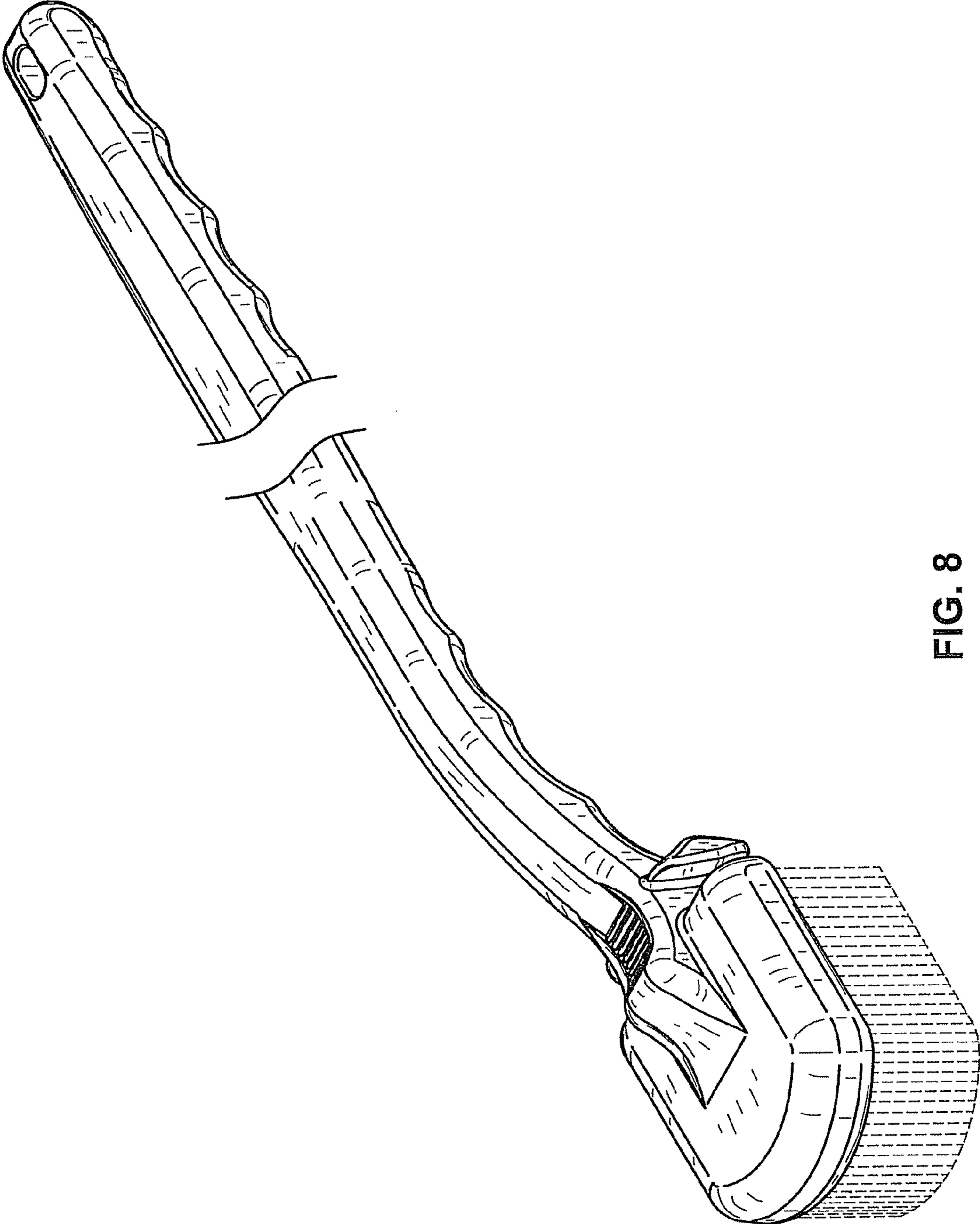


FIG. 8

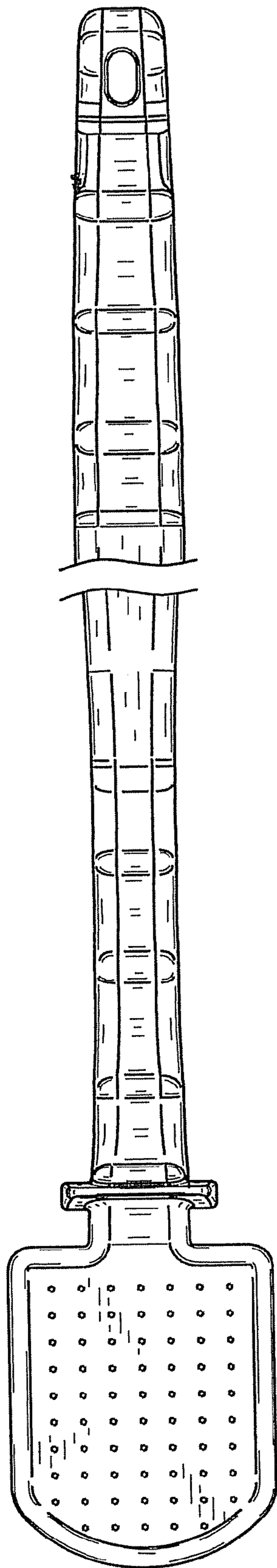


FIG. 9

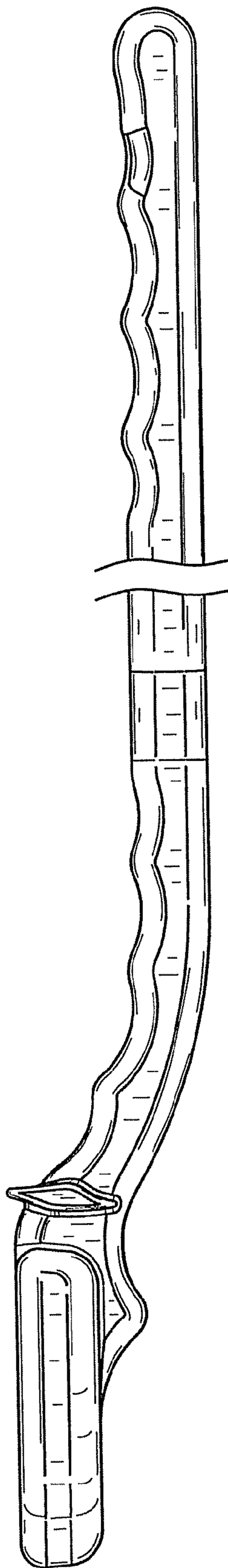


FIG. 10

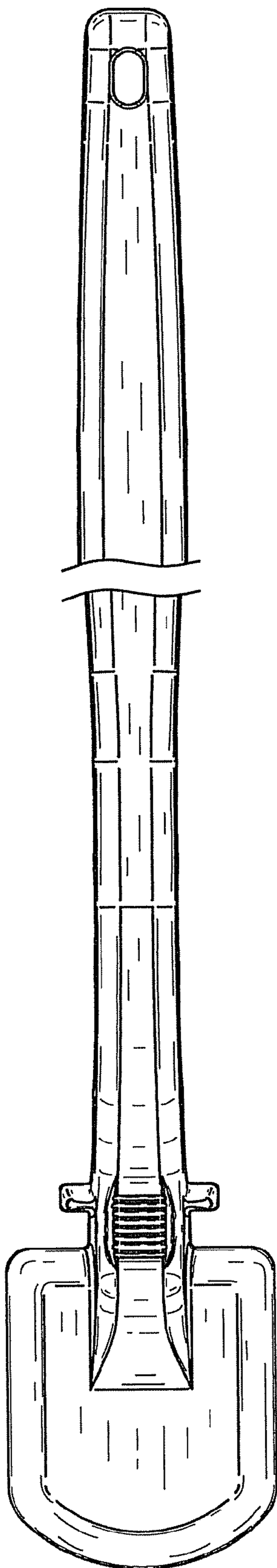


FIG. 11

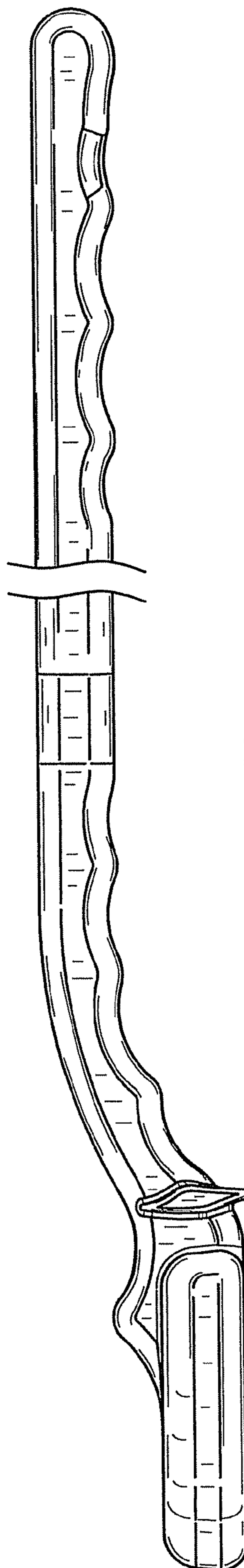


FIG. 12

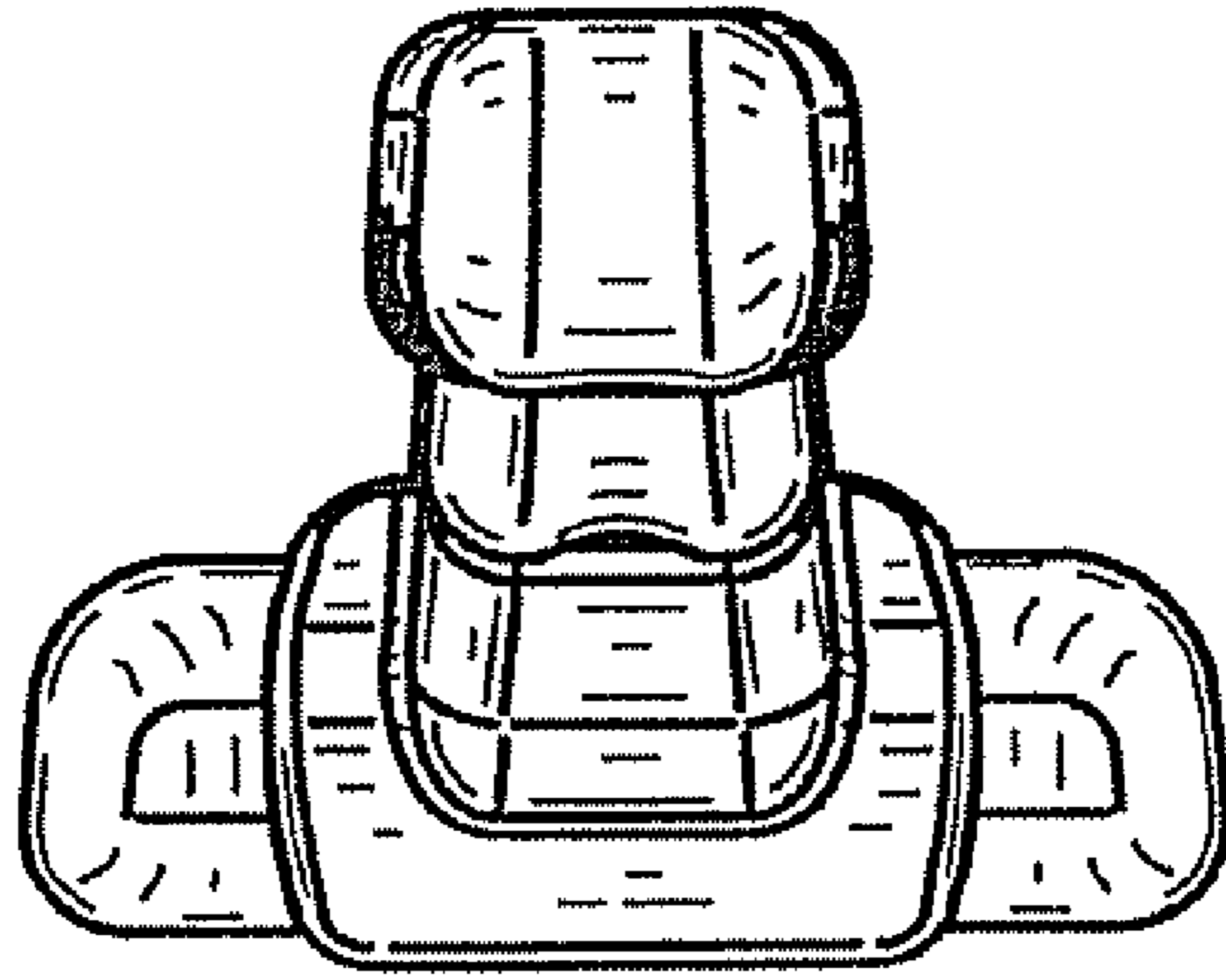


FIG. 14

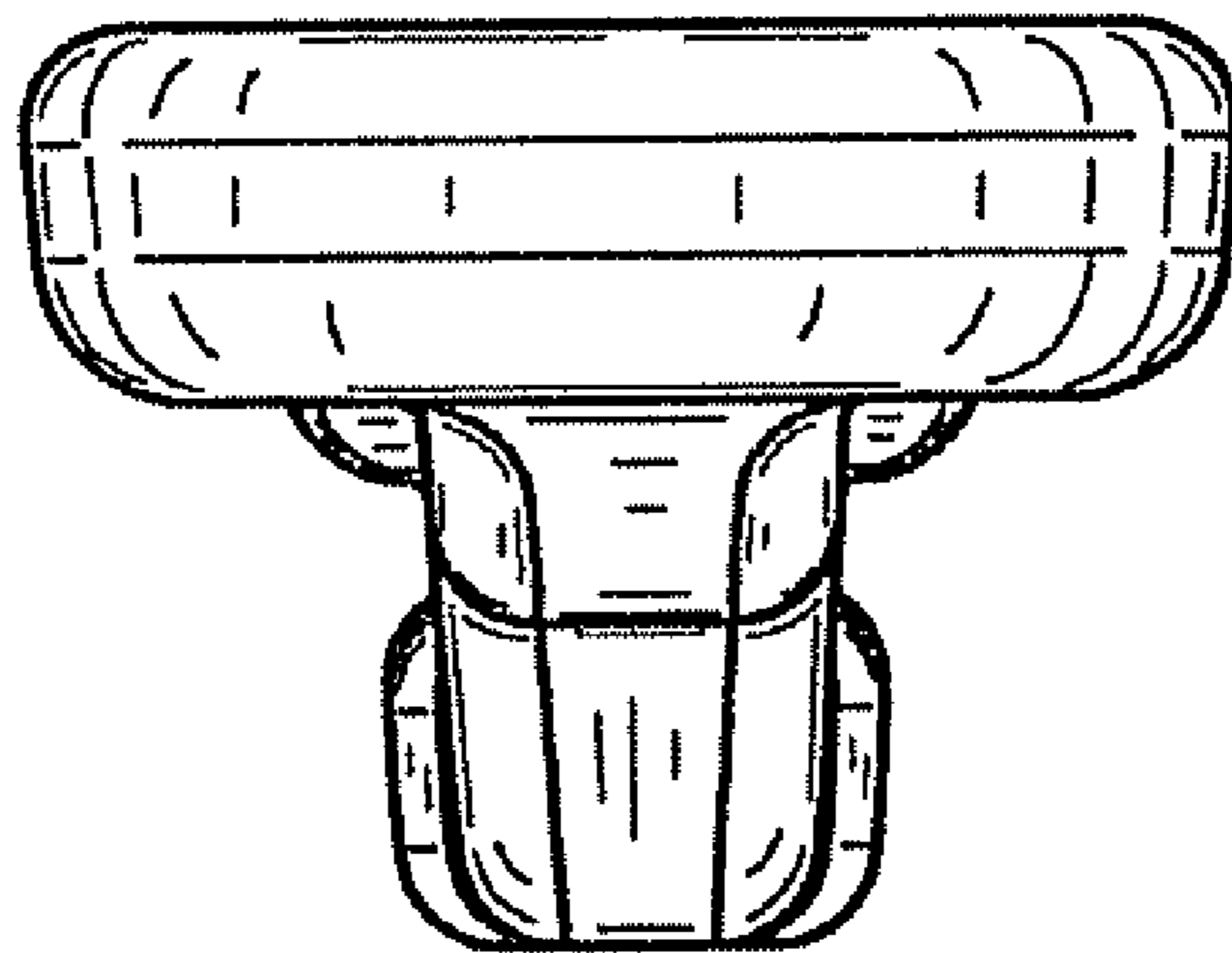


FIG. 13