



US00D630852S

(12) **United States Design Patent**
Kobilarcik et al.

(10) **Patent No.:** **US D630,852 S**
(45) **Date of Patent:** **** Jan. 18, 2011**

(54) **TRANSPARENT STORAGE BIN**
(75) Inventors: **Albert T. Kobilarcik**, Wooster, OH (US); **Travis Shamp**, Akron, OH (US); **Jerrold Brown**, Medina, OH (US); **Daniel R. Blake, Jr.**, Chicago, IL (US)
(73) Assignee: **Akro-Mils, Inc.**, Akron, OH (US)

(74) *Attorney, Agent, or Firm*—Mattingly & Malur, P.C.

(**) Term: **14 Years**
(21) Appl. No.: **29/366,178**
(22) Filed: **Jul. 21, 2010**

(57) **CLAIM**

The ornamental design for a transparent storage bin, as shown and described.

(51) **LOC (9) Cl.** **03-01**
(52) **U.S. Cl.** **D3/307**
(58) **Field of Classification Search** D3/304,
D3/307, 315; D7/601–603, 605, 708; D9/414,
D9/424–426, 429; 206/315.1, 503, 505;
220/662, 669, 672
See application file for complete search history.

DESCRIPTION

FIG. 1 is a right side perspective view of a transparent storage bin showing the design;
FIG. 2 is a front elevational view thereof;
FIG. 3 is a rear elevational view thereof;
FIG. 4 is a right side elevational view thereof;
FIG. 5 is a left side elevational view thereof;
FIG. 6 is a top plan view thereof;
FIG. 7 is a bottom view thereof;
FIG. 8 is a right side perspective view of a transparent storage bin showing a second embodiment of the design, the sole difference being that the bin has a cover which is transparent in the center and has an opaque rim portion;
FIG. 9 is a front elevational view of the embodiment of FIG. 8;
FIG. 10 is a rear elevational view of the embodiment of FIG. 8;
FIG. 11 is a right side elevational view of the embodiment of FIG. 8;
FIG. 12 is a left side elevational view of the embodiment of FIG. 8;
FIG. 13 is a top plan view of the embodiment of FIG. 8; and,
FIG. 14 is a bottom view of the embodiment of FIG. 8.

(56) **References Cited**

U.S. PATENT DOCUMENTS

1,862,609	A	6/1932	Shaw	
3,113,680	A *	12/1963	Frater et al.	211/126.4
3,252,614	A *	5/1966	Evans	206/509
3,478,892	A	11/1969	Lockwood	
3,534,866	A	10/1970	Asenbauer	
4,015,713	A *	4/1977	Clipson et al.	206/509
4,164,309	A	8/1979	Staats	
4,640,416	A	2/1987	Northrup et al.	
4,753,351	A	6/1988	Guillin	
D301,927	S *	6/1989	Williams, Jr.	D3/304
D311,799	S *	10/1990	Embree et al.	D3/294

(Continued)

OTHER PUBLICATIONS

www.globalindustrial.com/g/storage/bins-totes-containers/shelf/clear-quantum-shelf-bins?ref=h/banner, retrieved Aug. 16, 2010.

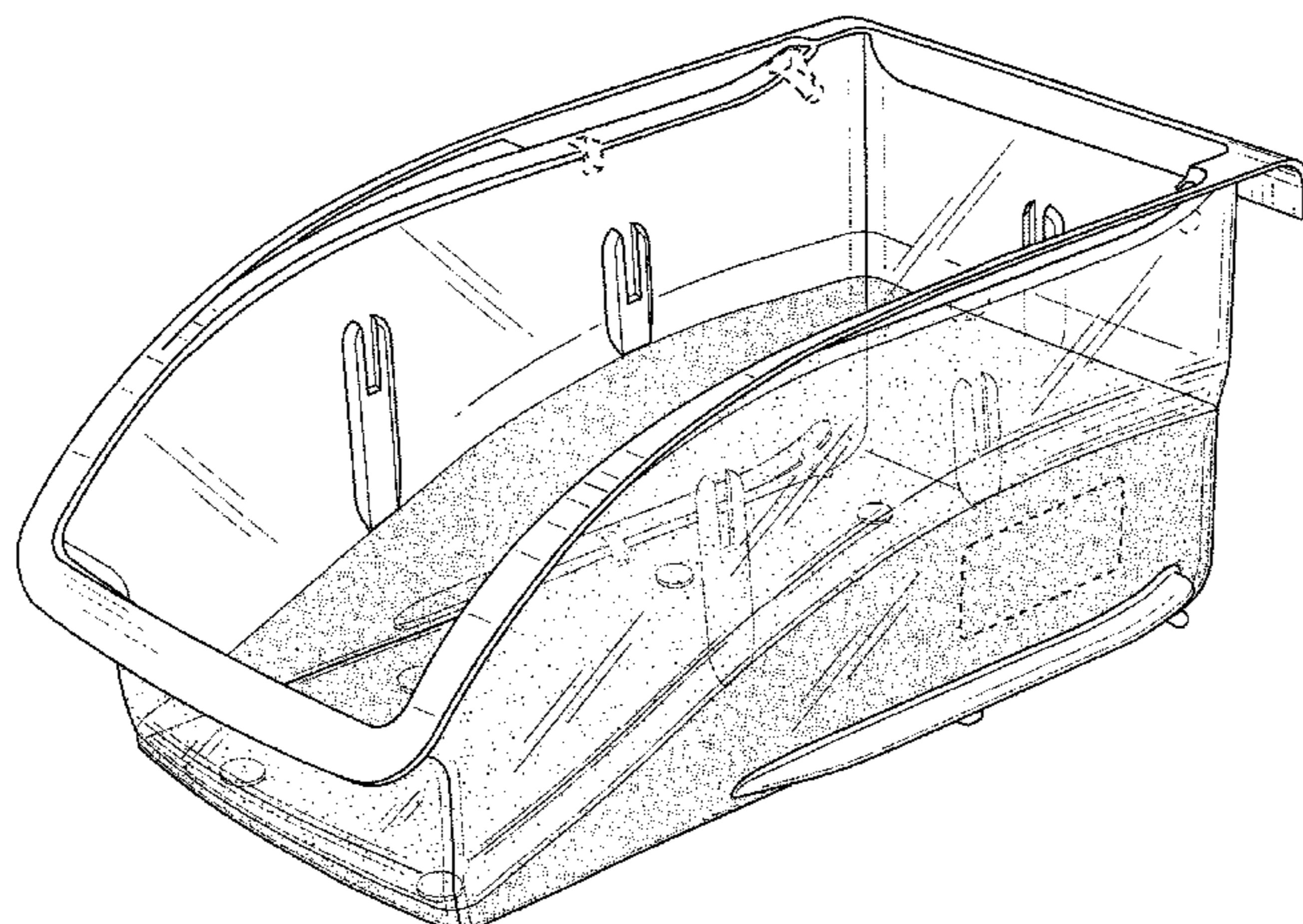
(Continued)

Primary Examiner—Elizabeth A Albert
Assistant Examiner—Kelley A Donnelly

The stippling that can be seen on the bottom portion of the claimed design is a type of shading that represents a type of transparent surface.

The broken lines are for the purpose of illustrating the environment of the article only and form no part of the claimed design.

1 Claim, 12 Drawing Sheets



US D630,852 S

Page 2

U.S. PATENT DOCUMENTS

5,080,874 A 1/1992 Nichols
D327,560 S * 6/1992 Hradisky D3/307
D327,561 S * 6/1992 Hradisky D3/307
D327,971 S * 7/1992 Cugley D3/304
5,311,993 A 5/1994 Koch
5,318,811 A 6/1994 Nissel
5,590,770 A 1/1997 Yeh
D409,387 S * 5/1999 Yemini D3/307
6,062,388 A 5/2000 Ohayon
6,910,599 B2 6/2005 Tucker et al.
6,986,437 B2 1/2006 Jalet et al.
D517,319 S * 3/2006 Wisnoski et al. D3/304
D538,539 S * 3/2007 Richardson et al. D3/314
D581,670 S * 12/2008 Neilsen D3/304
D583,562 S * 12/2008 Ghiorghie D3/304

D606,313 S * 12/2009 Neilsen D3/304
D606,314 S * 12/2009 Neilsen D3/313
D621,619 S * 8/2010 Ripoll D3/304
2009/0178989 A1 7/2009 Accuardi

OTHER PUBLICATIONS

www.globalindustrial.com/p/storage/bins-totes-containers/stacking-bins/plastic-clear-stacking-bin-5-1-2-w-x-10-7-8-d-x-5-h,
retrieved Aug. 16, 2010.

www.globalindustrial.com/p/foodservice/food-storage/ingredient-storage/rubbermaid-safety-storage-ingredient-bin-100-cups,
retrieved Aug. 16, 2010.

www.encyclopedia.com/technology/food-and-drink/ingredient-storage [see “textured base” for clear bin], retrieved Aug. 16, 2010.

* cited by examiner

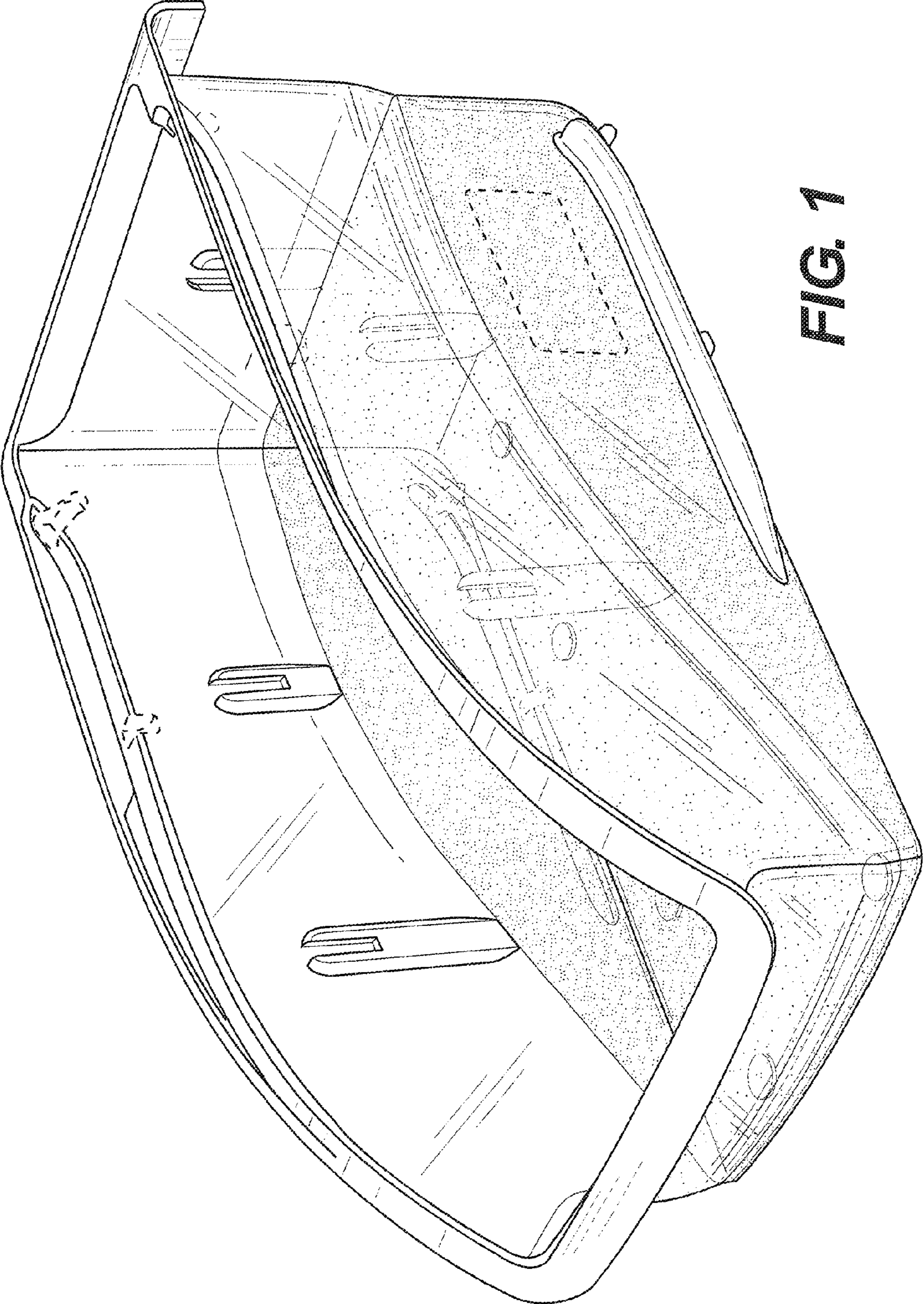


FIG. 1

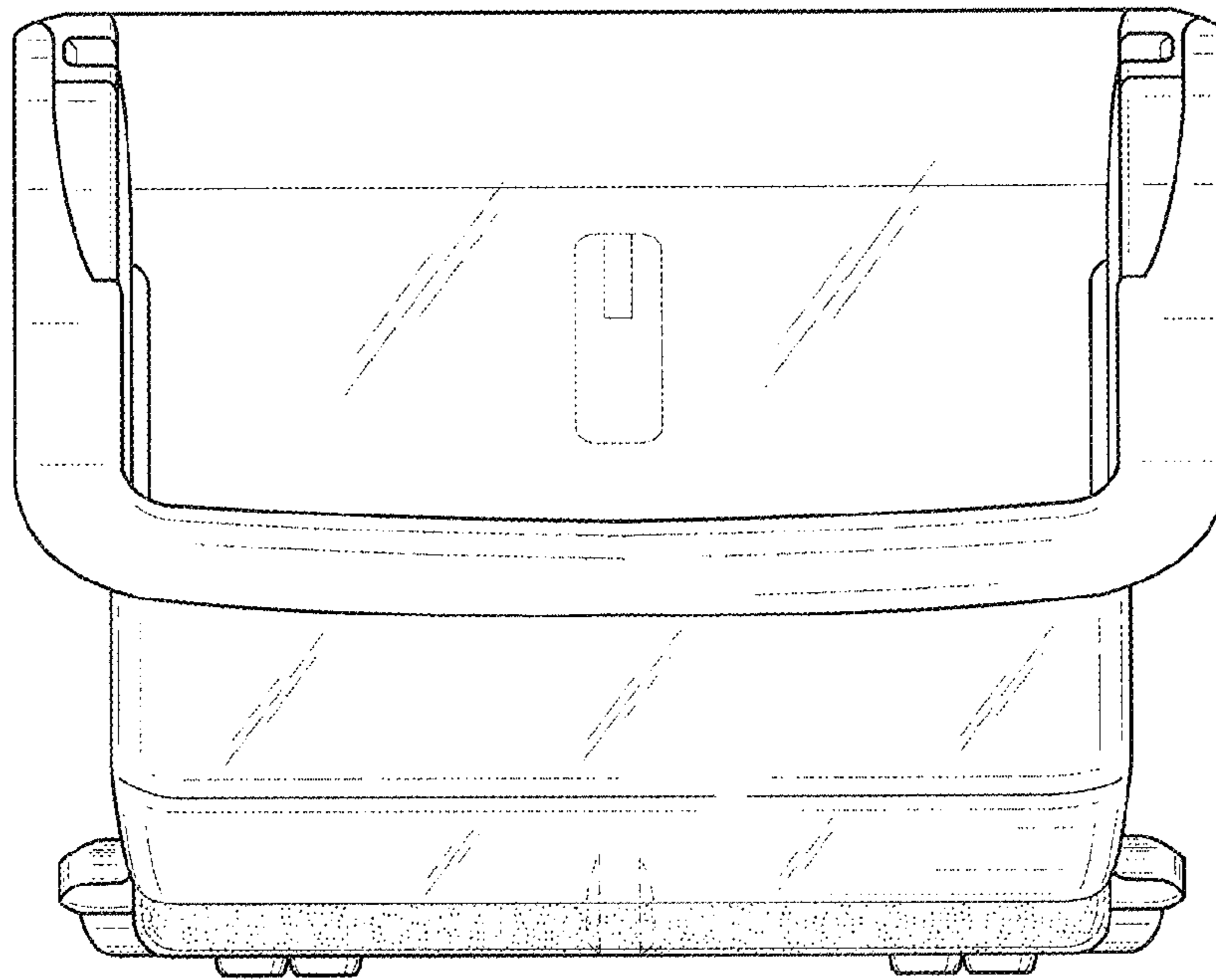


FIG. 2

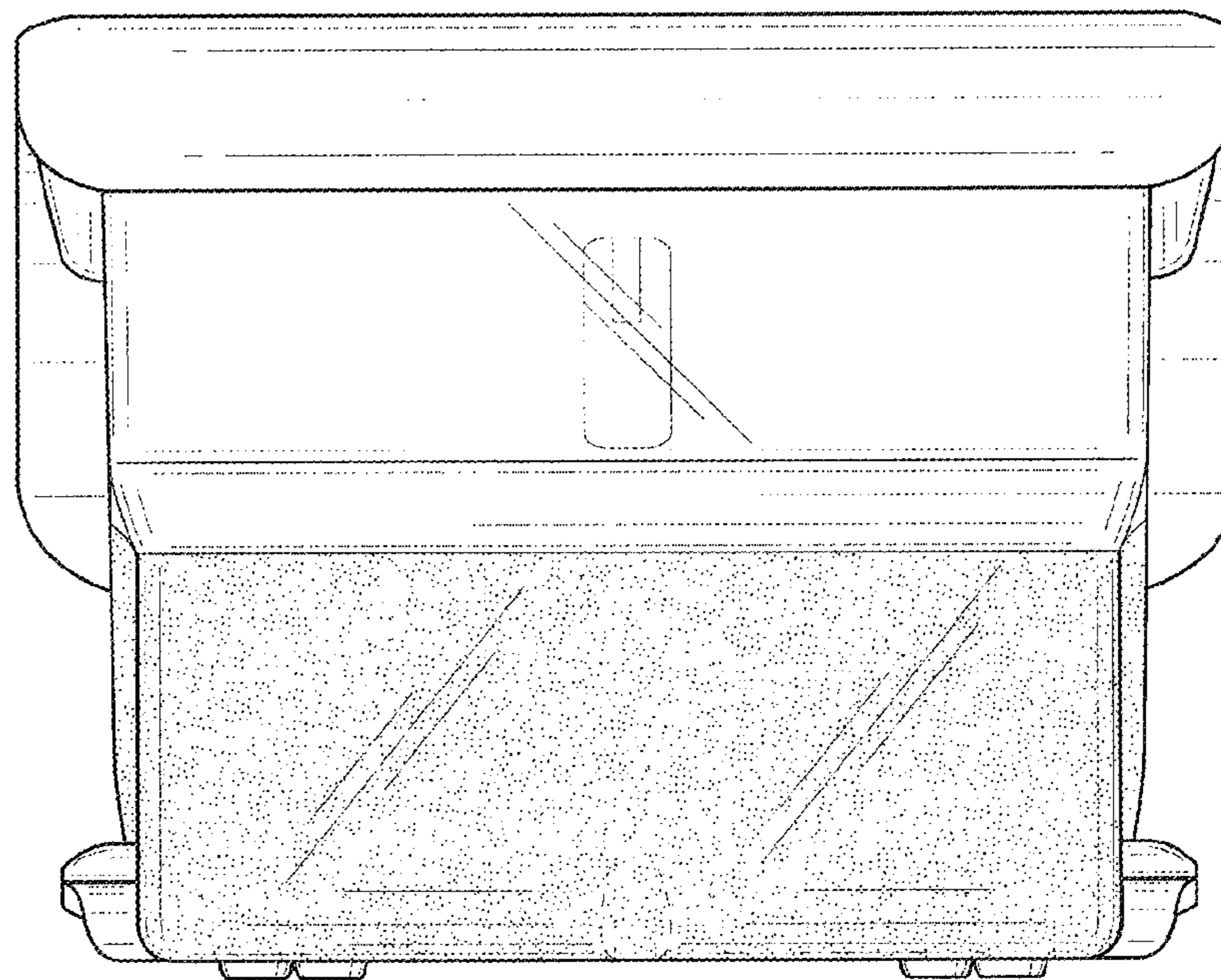


FIG. 3

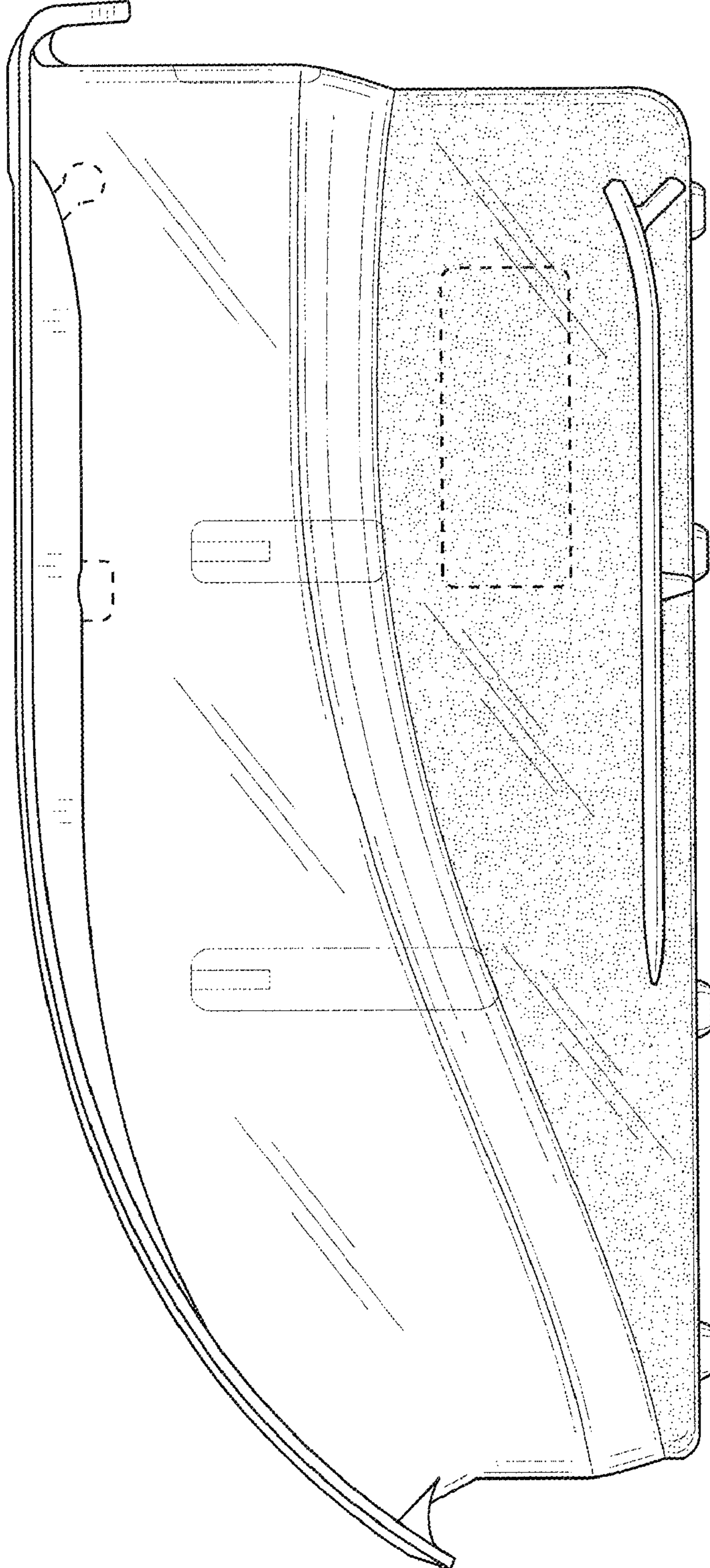


FIG. 4

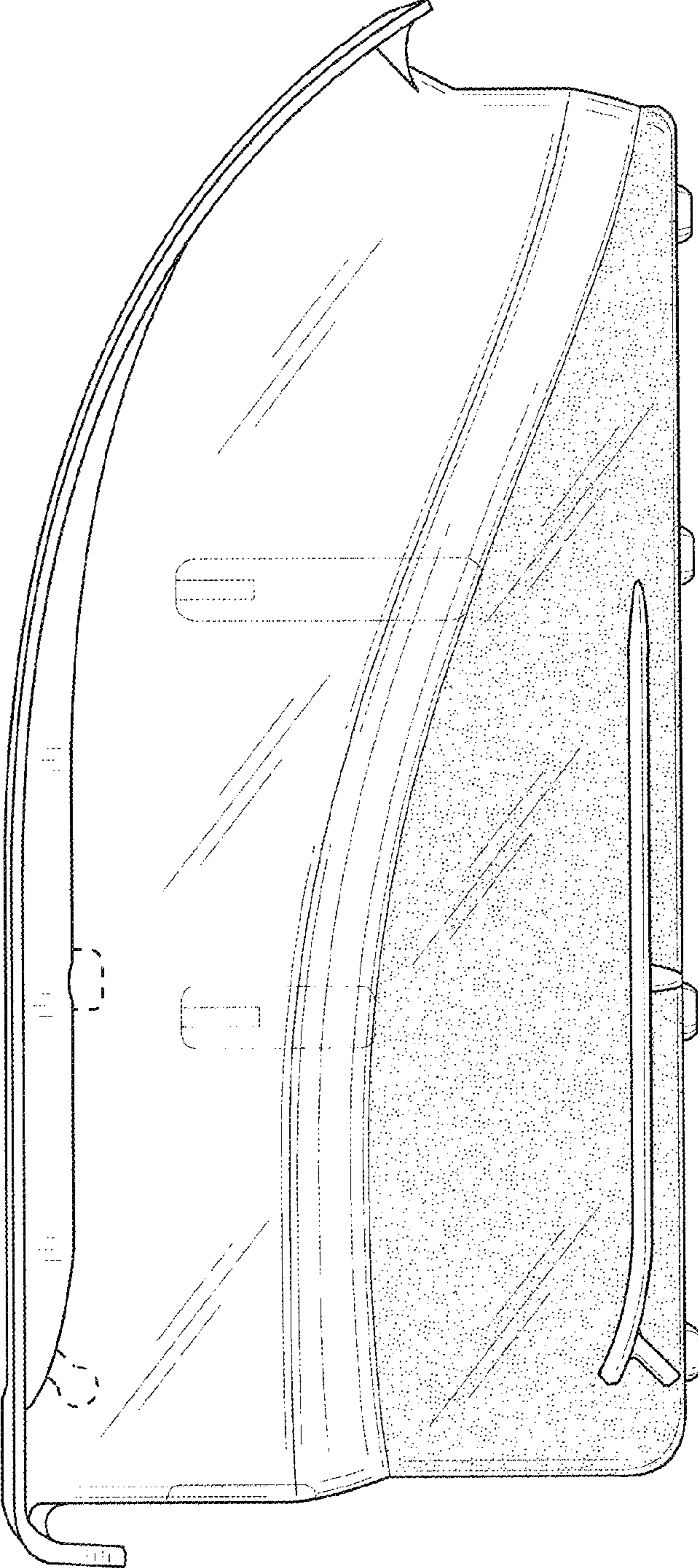


FIG. 5

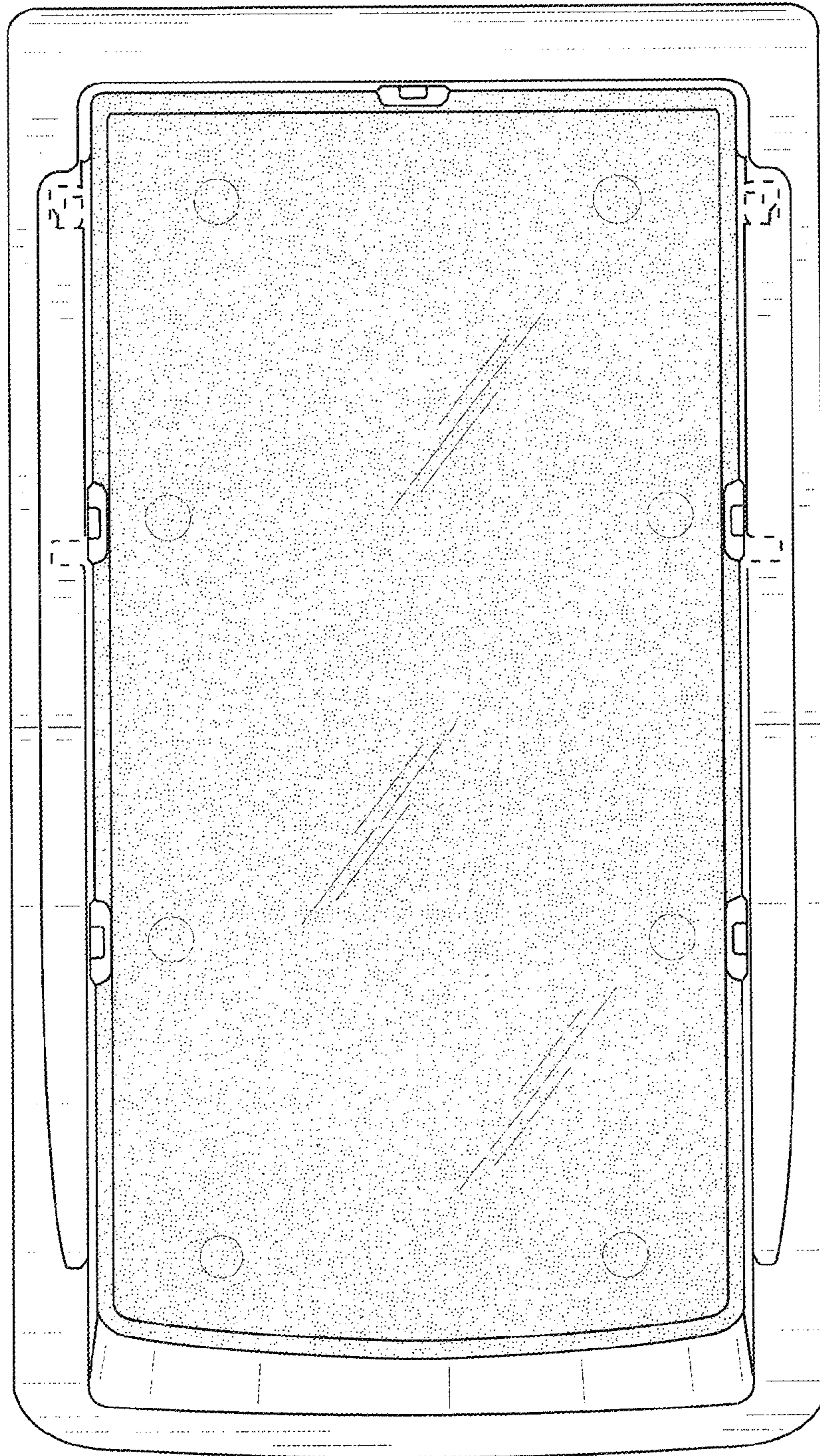


FIG. 6

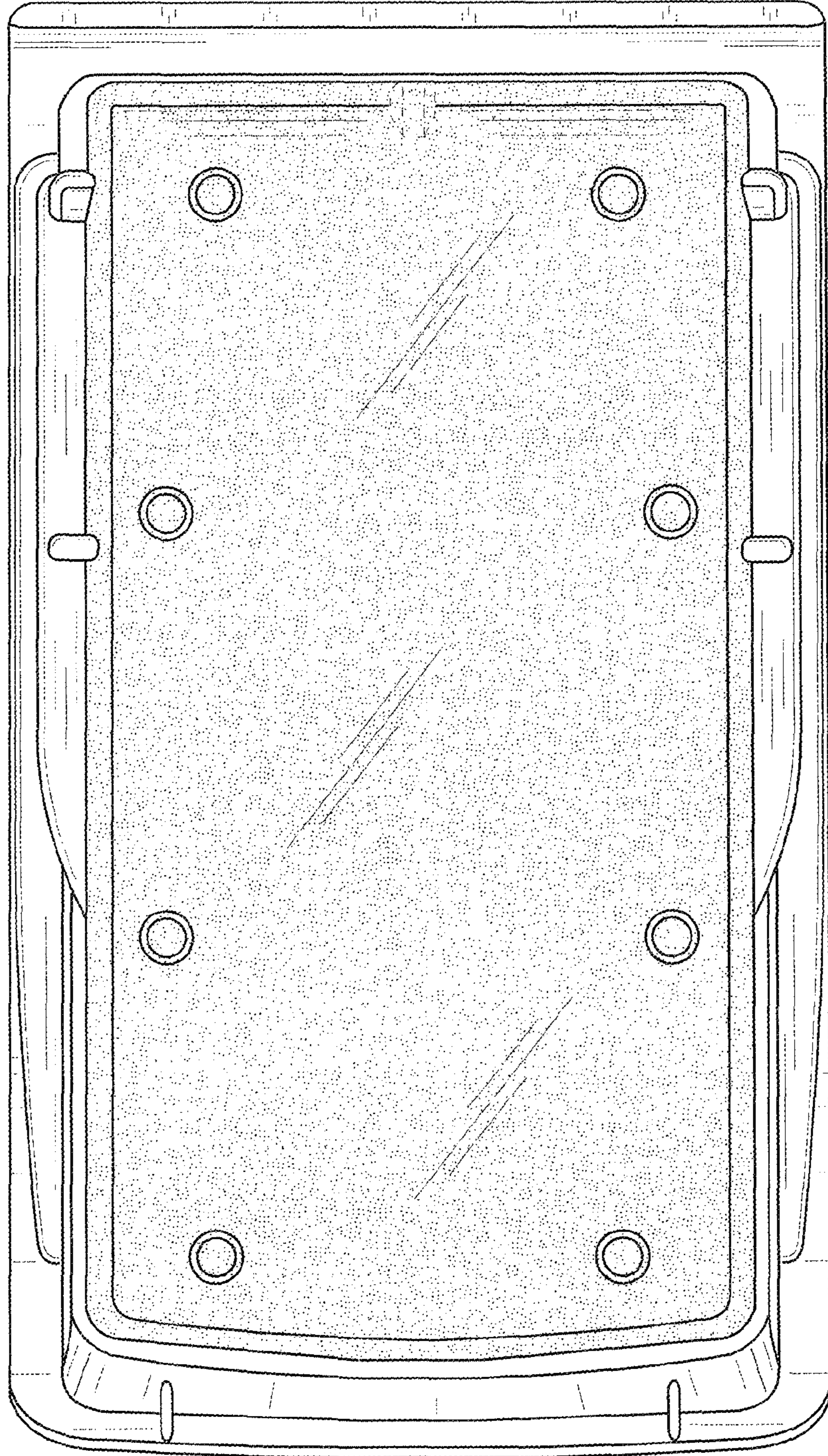


FIG. 7

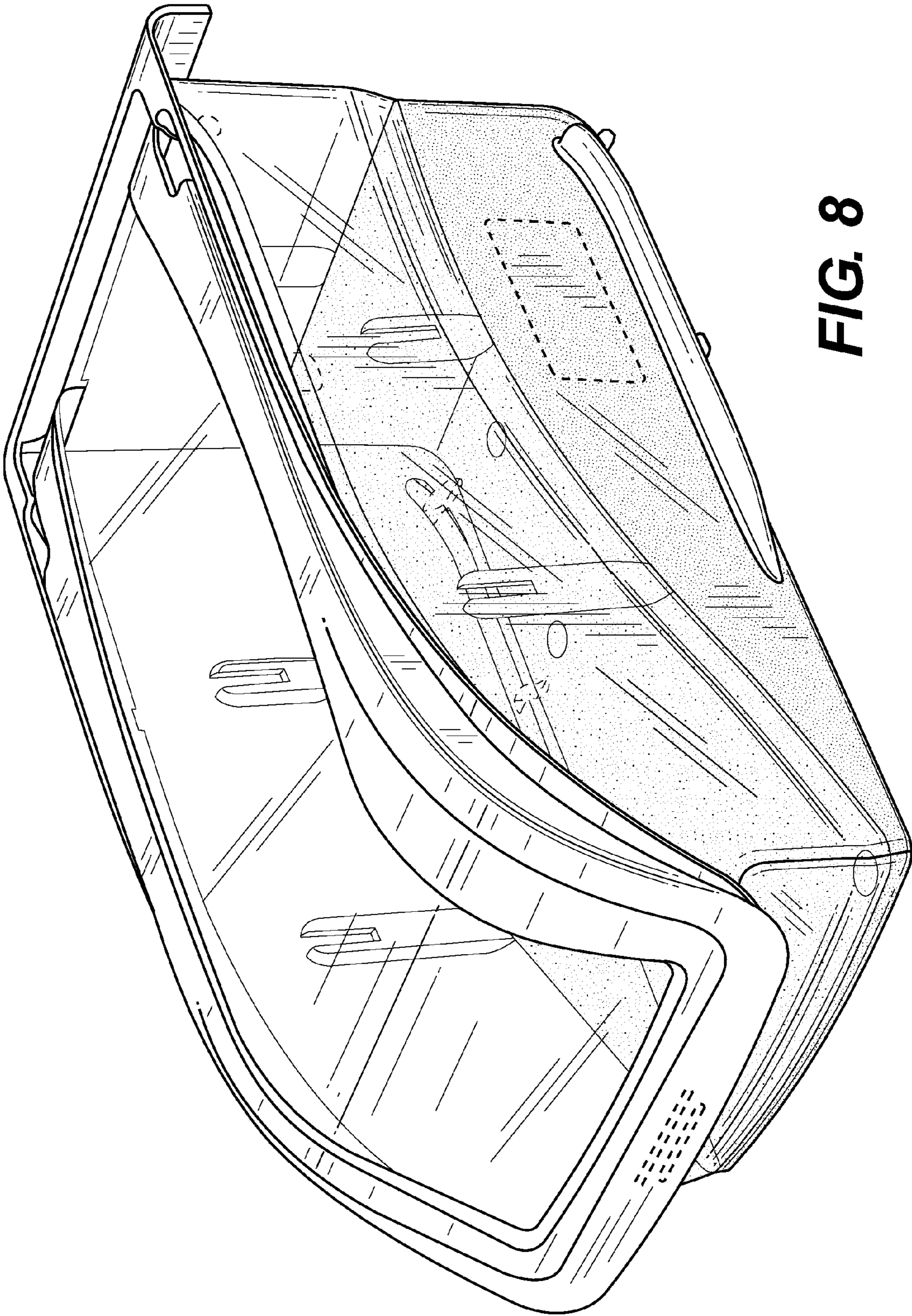


FIG. 8

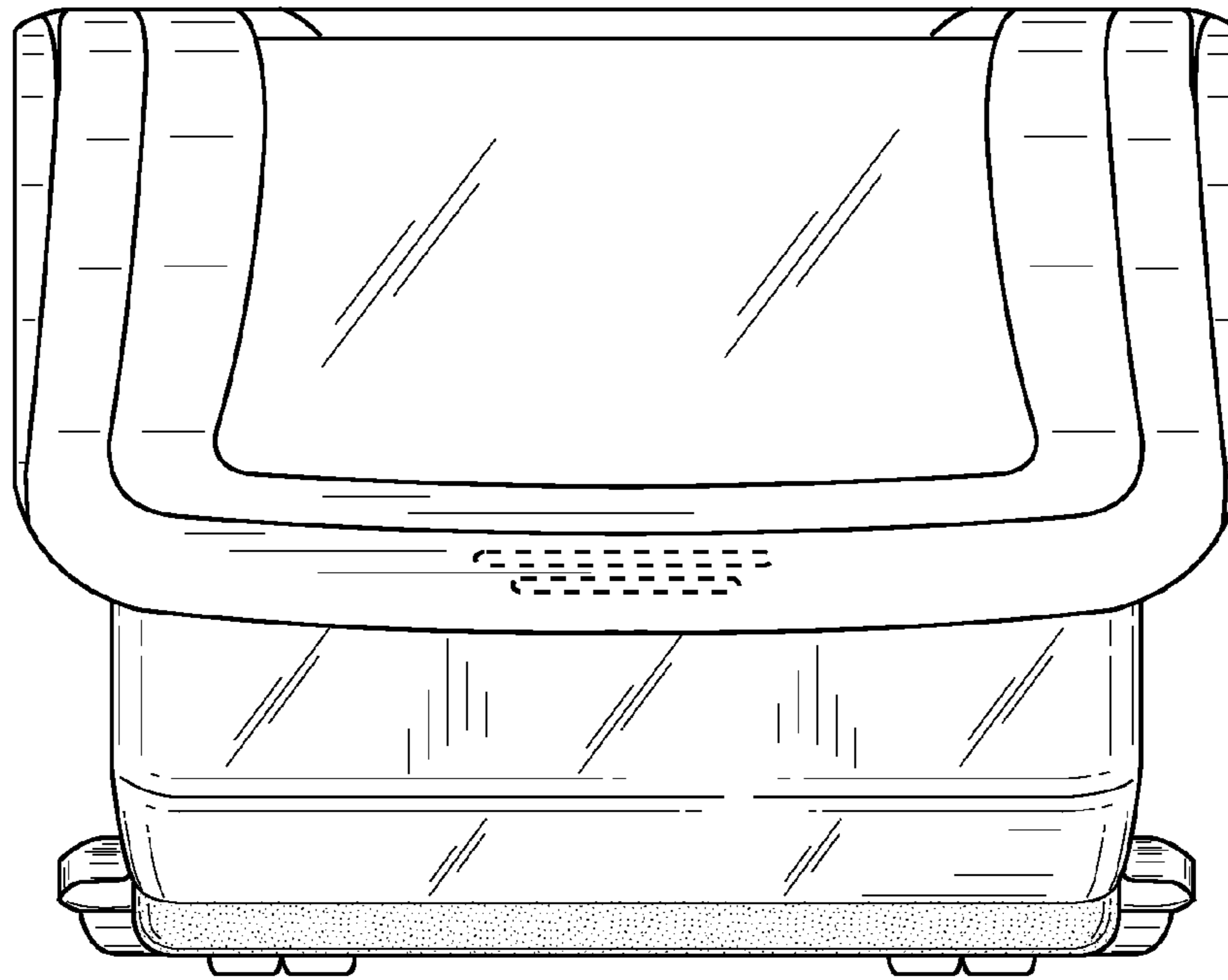


FIG. 9

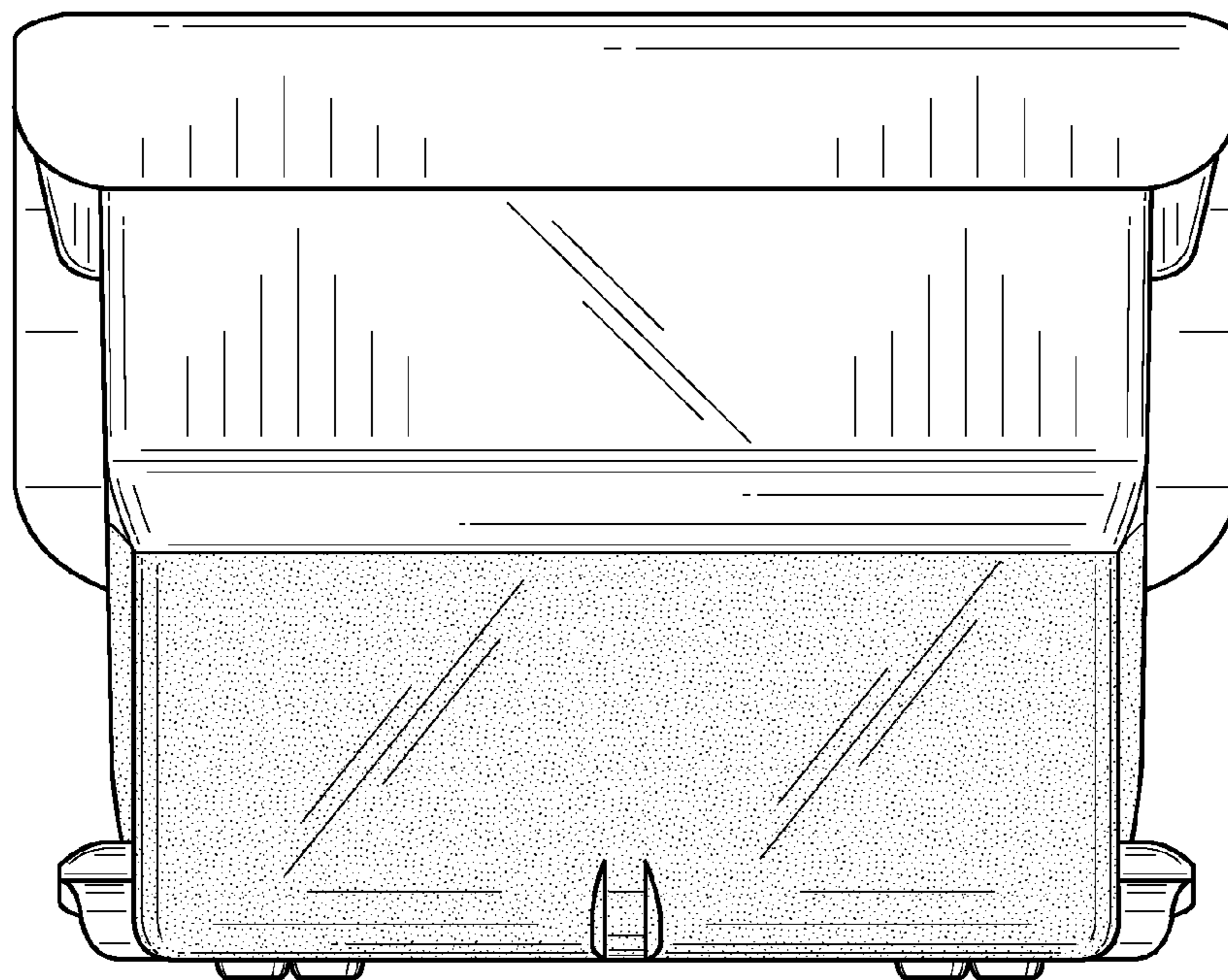


FIG. 10

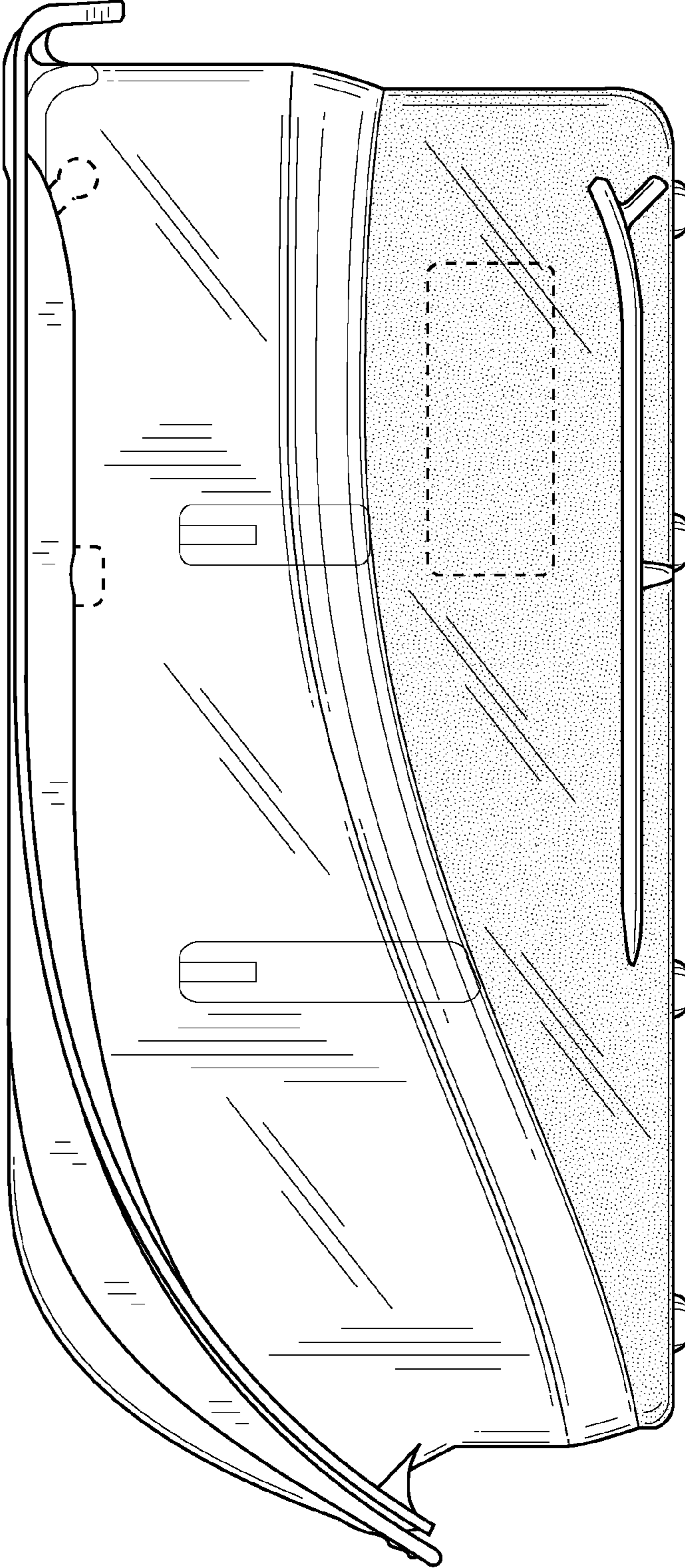


FIG. 11

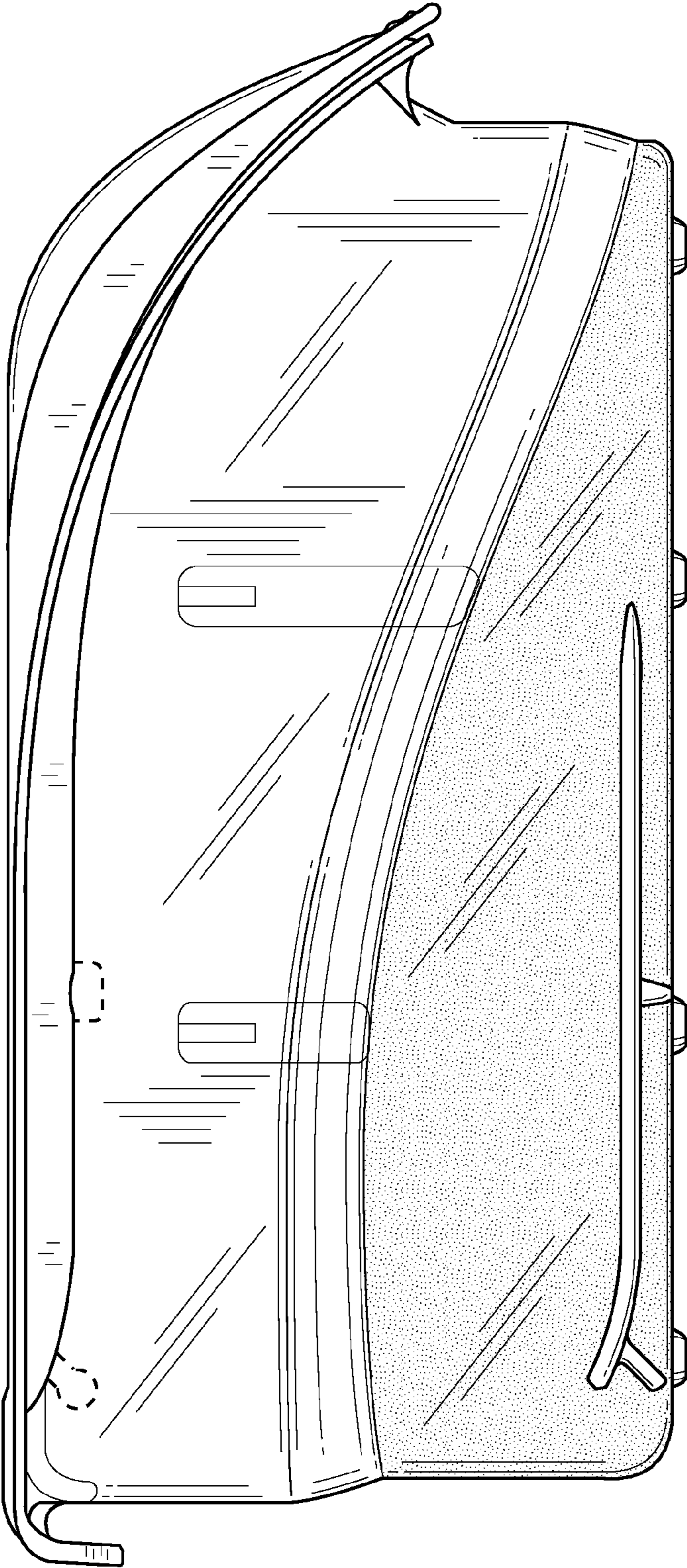


FIG. 12

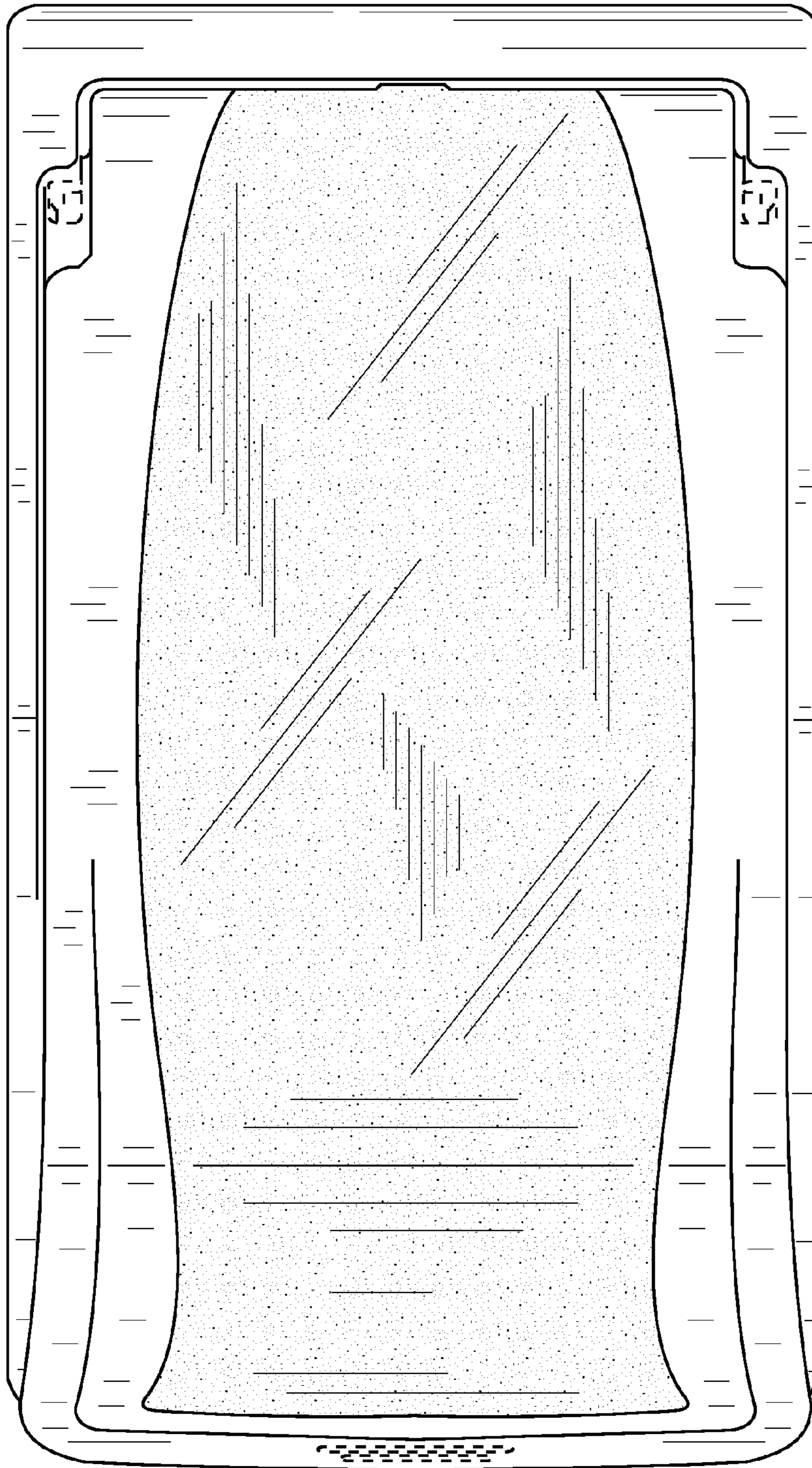


FIG. 13

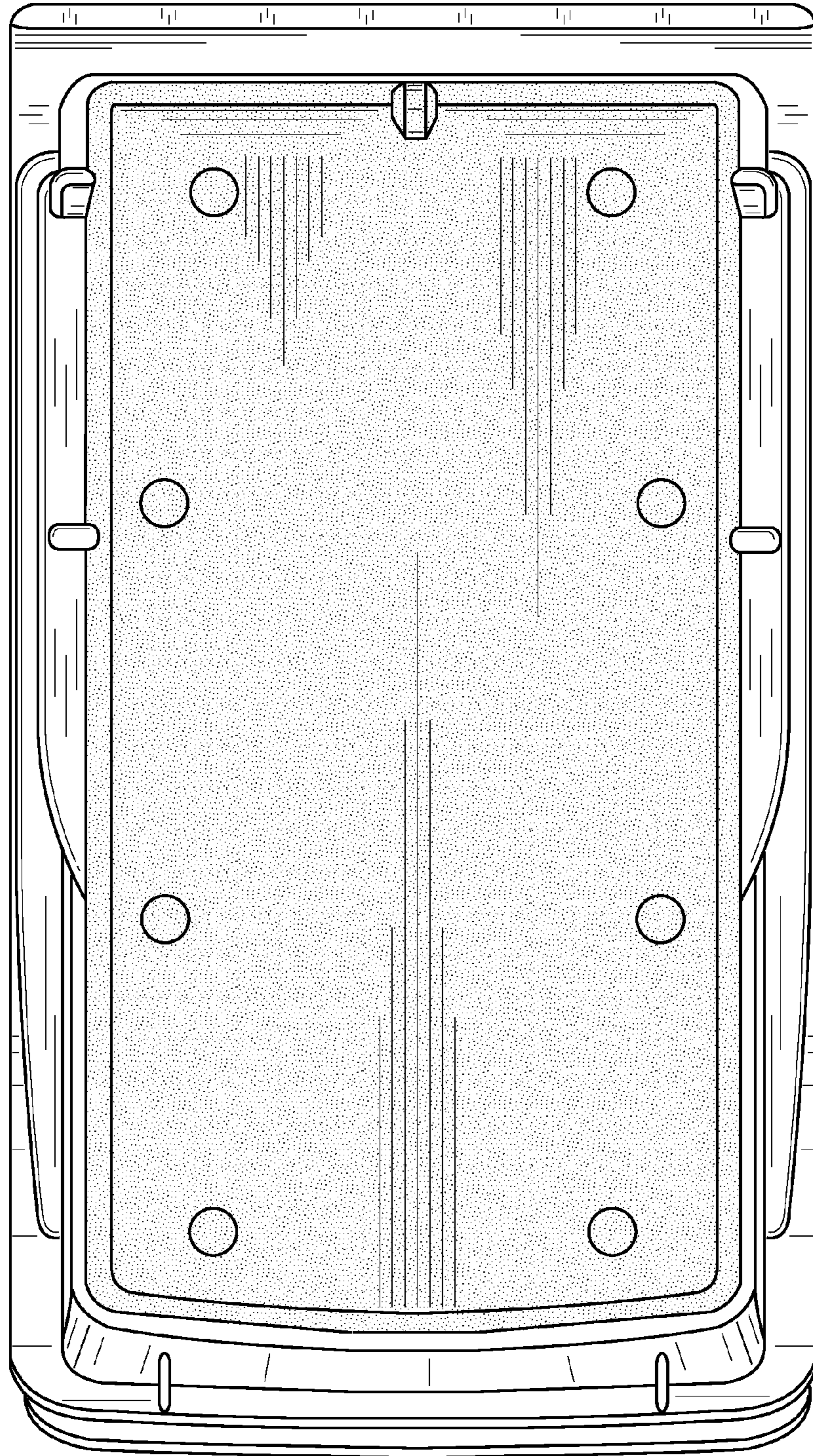


FIG. 14