

US00D630851S

(12) **United States Design Patent**
Landau et al.

(10) **Patent No.:** **US D630,851 S**
(45) **Date of Patent:** **** Jan. 18, 2011**

(54) **ROLLING TOOLBOX ASSEMBLY**

D482,171 S * 11/2003 Vui et al. D34/25
D596,367 S * 7/2009 Katz D34/19
D609,911 S * 2/2010 Twig D3/279

(75) Inventors: **Eitan Landau**, Netanya (IL); **David Sosnovsky**, Tel Aviv (IL)

* cited by examiner

(73) Assignee: **The Stanley Works Israel Ltd.**, Rosh Ha' Ayin (IL)

Primary Examiner—Charles A Rademaker

Assistant Examiner—Charles D Hanson

(**) Term: **14 Years**

(74) *Attorney, Agent, or Firm*—Pillsbury Winthrop Shaw Pittman LLP

(21) Appl. No.: **29/359,798**

(57) **CLAIM**

(22) Filed: **Apr. 15, 2010**

The ornamental design for a rolling toolbox assembly, as shown and described.

(51) **LOC (9) Cl.** **03-01**

(52) **U.S. Cl.** **D3/279; D3/905**

(58) **Field of Classification Search** D3/272–273,
D3/276, 281–282, 291, 294, 302, 307, 905;
D9/420, 423–426, 429, 432; 190/19, 24;
206/349, 372–373; 312/902

See application file for complete search history.

DESCRIPTION

FIG. 1 is an isometric view according to our design;
FIG. 2 is a front plan view of the design of FIG. 1;
FIG. 3 is a rear plan view of the design of FIG. 1;
FIG. 4 is a left side plan view of the design of FIG. 1;
FIG. 5 is a right side plan view of the design of FIG. 1;
FIG. 6 is a top plan view of the design of FIG. 1; and,
FIG. 7 is a bottom plan view of the design of FIG. 1.

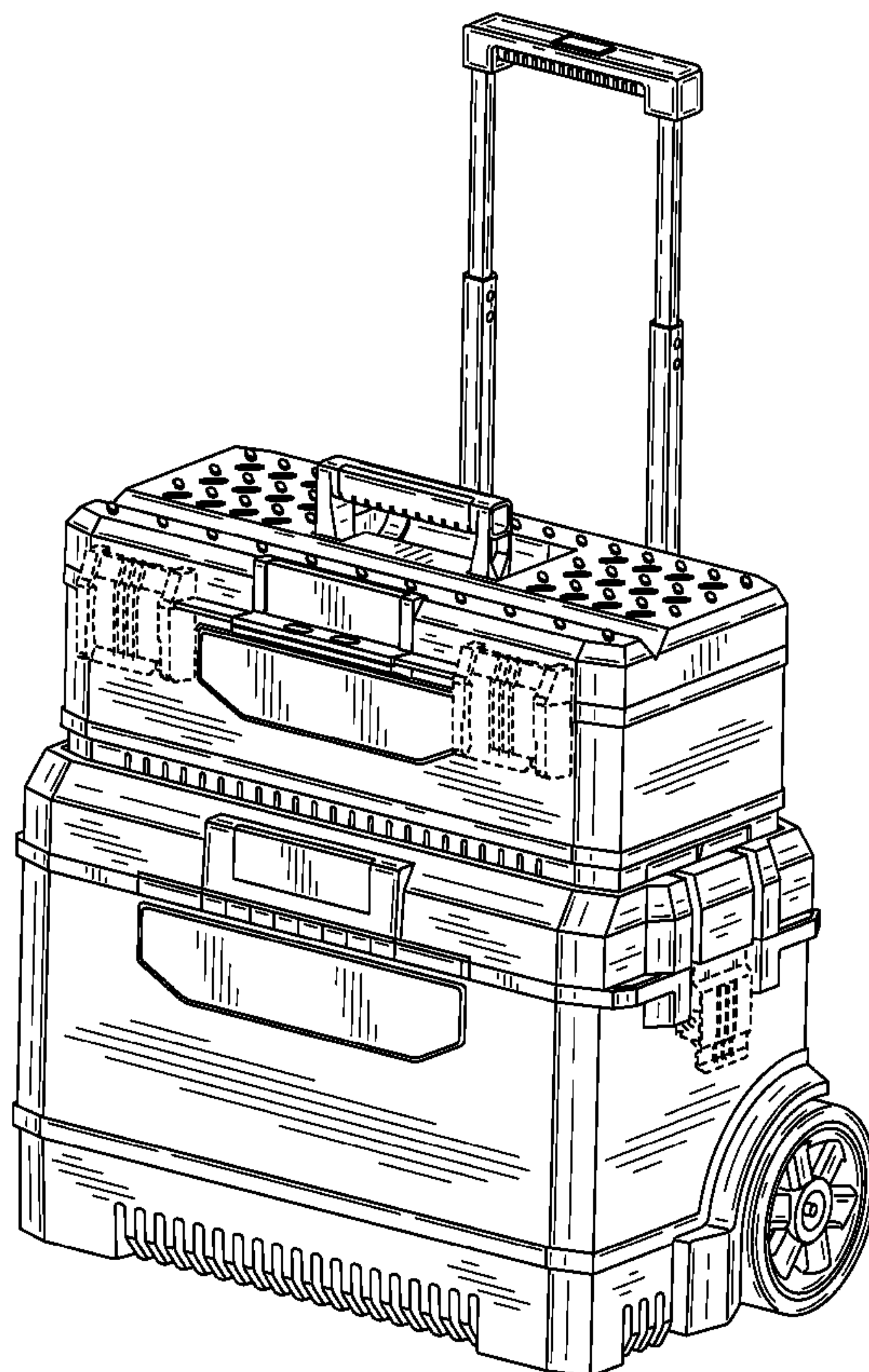
Where included, broken lines showing environment or structure are for illustrative purposes only and form no part of the claimed design.

(56) **References Cited**

U.S. PATENT DOCUMENTS

4,118,048 A * 10/1978 Spranger et al. 280/47.35
D354,397 S * 1/1995 Berman D3/276
5,683,097 A * 11/1997 Fenton et al. 280/655.1
D437,484 S * 2/2001 Tiramani et al. D3/279
6,371,320 B2 * 4/2002 Sagol 220/4.27
D462,170 S * 9/2002 Chen et al. D3/279

1 Claim, 6 Drawing Sheets



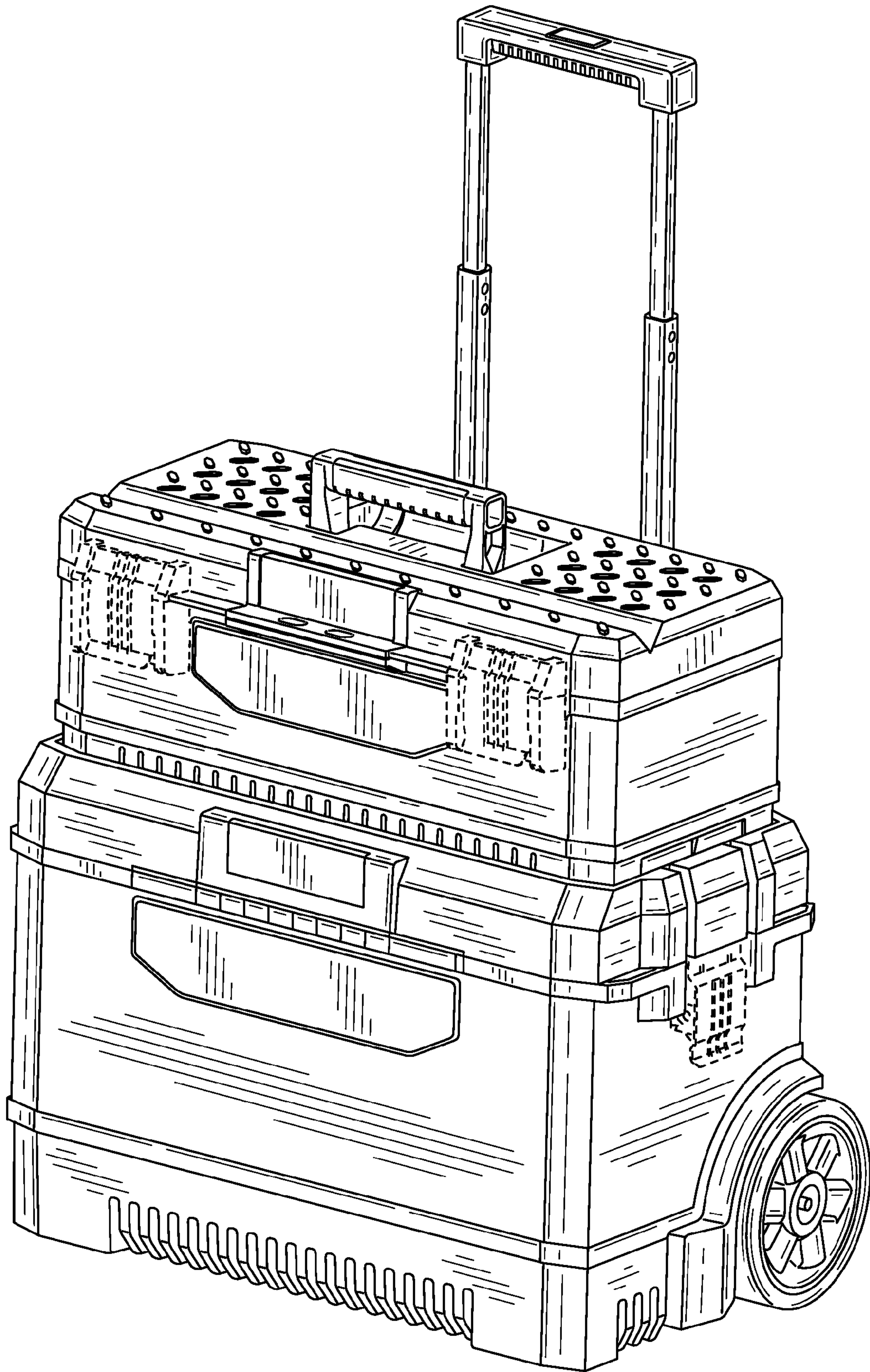


FIG. 1

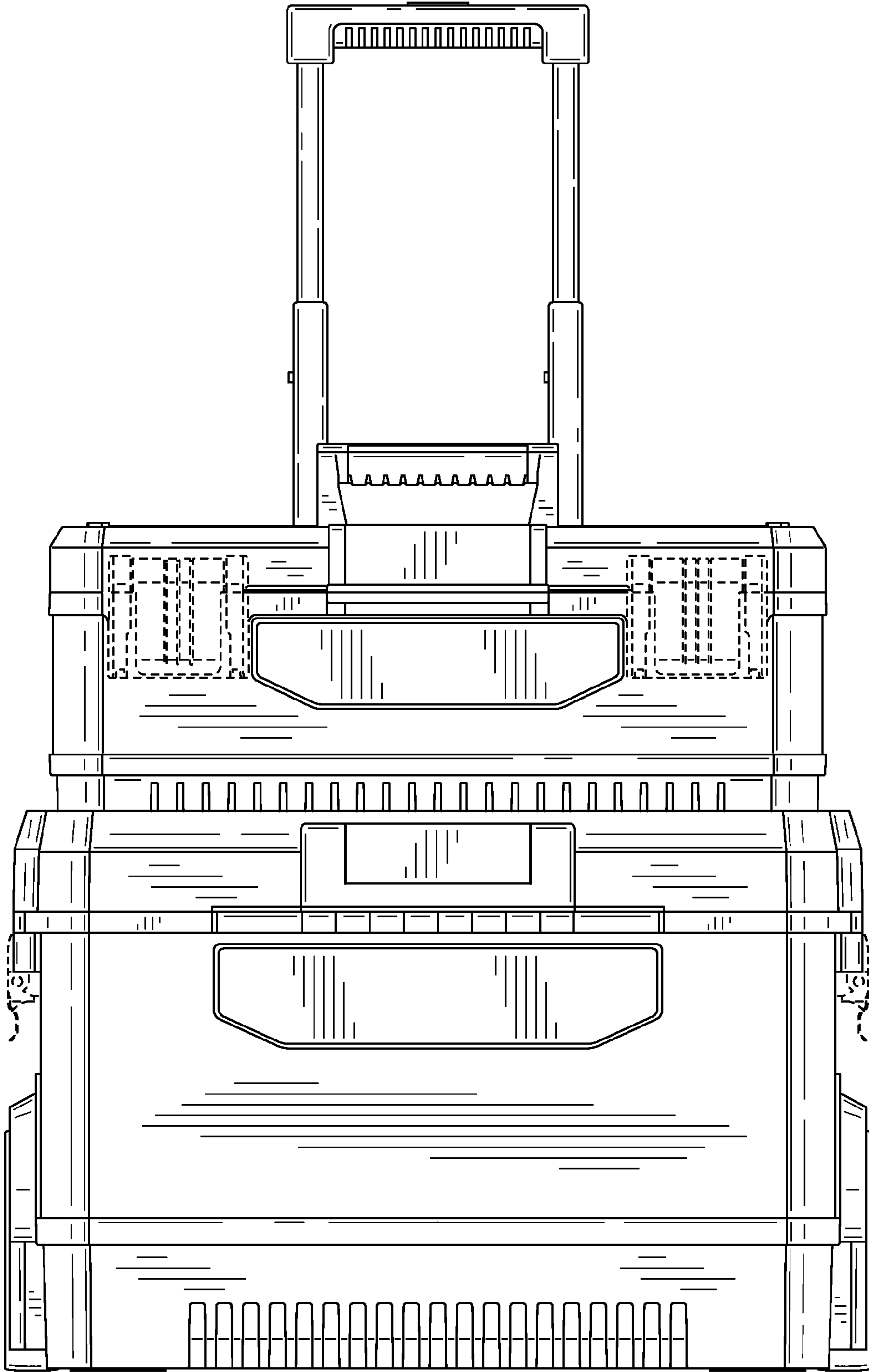


FIG. 2

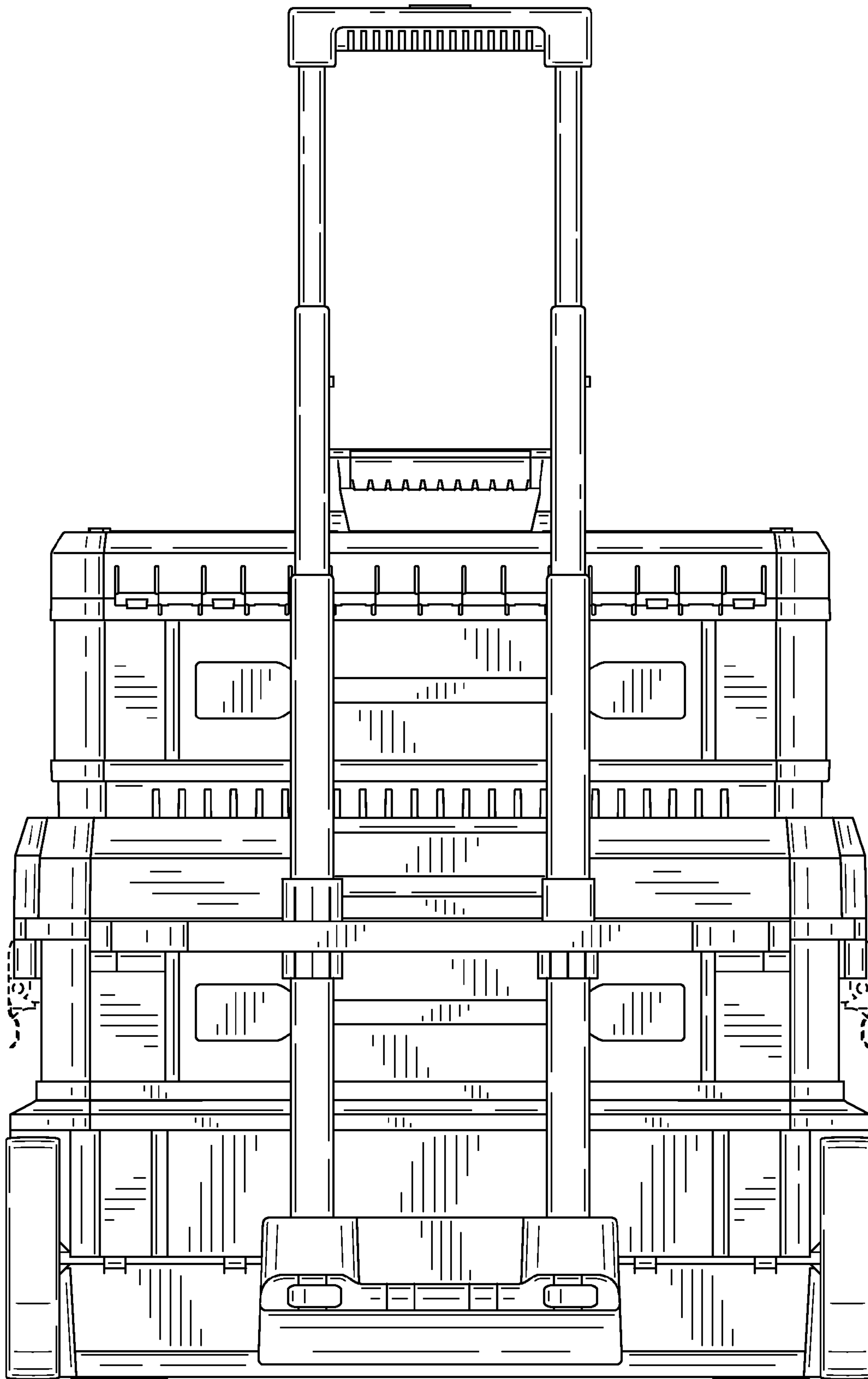


FIG. 3

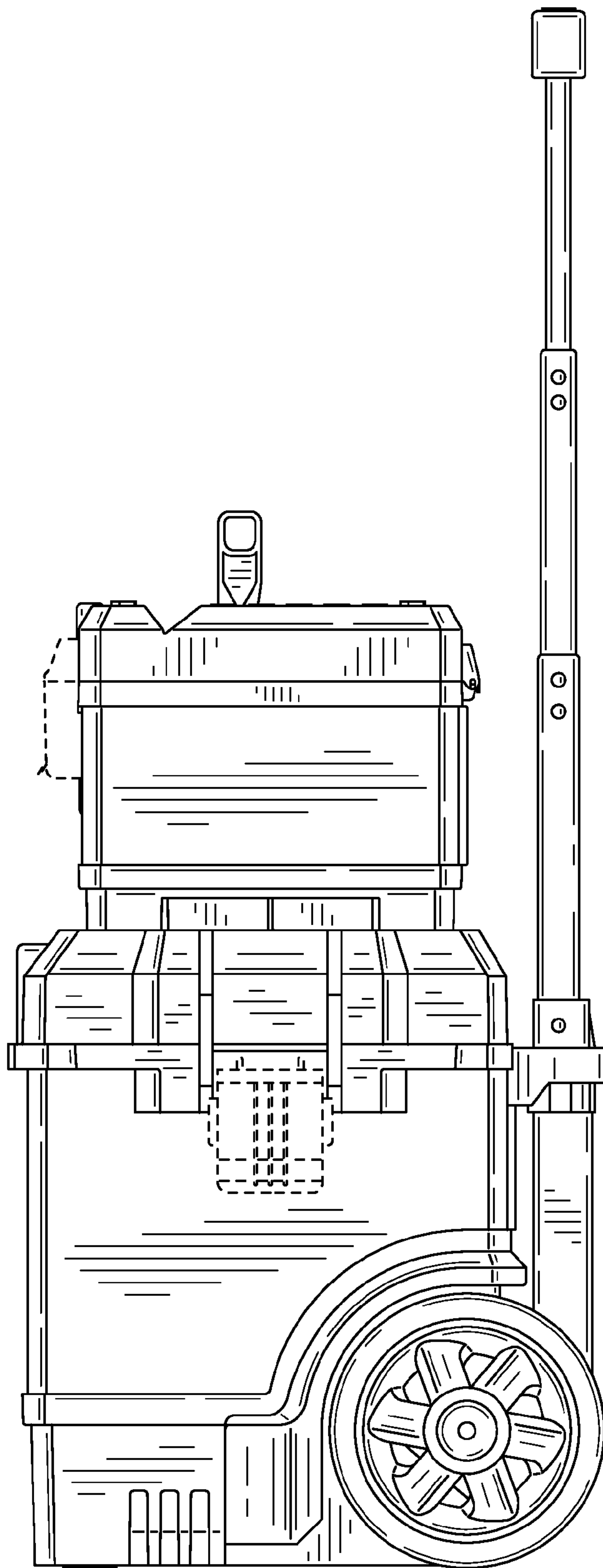


FIG. 4

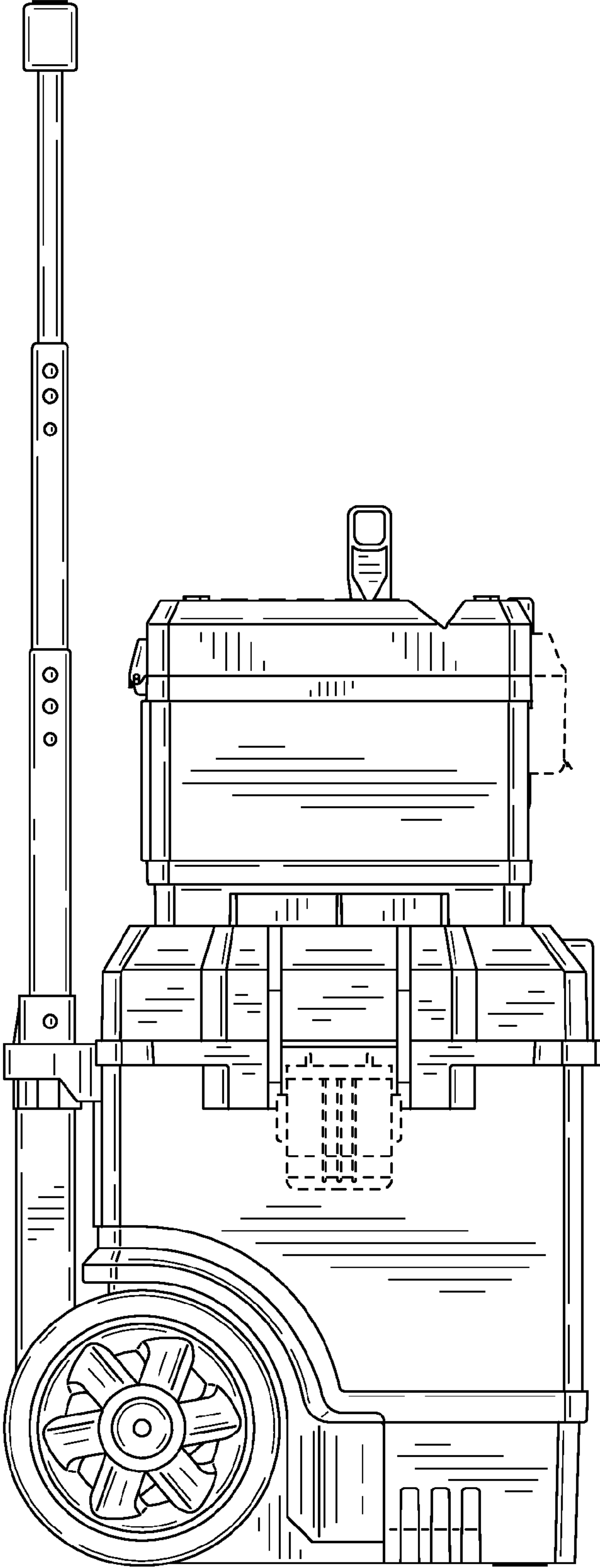


FIG. 5

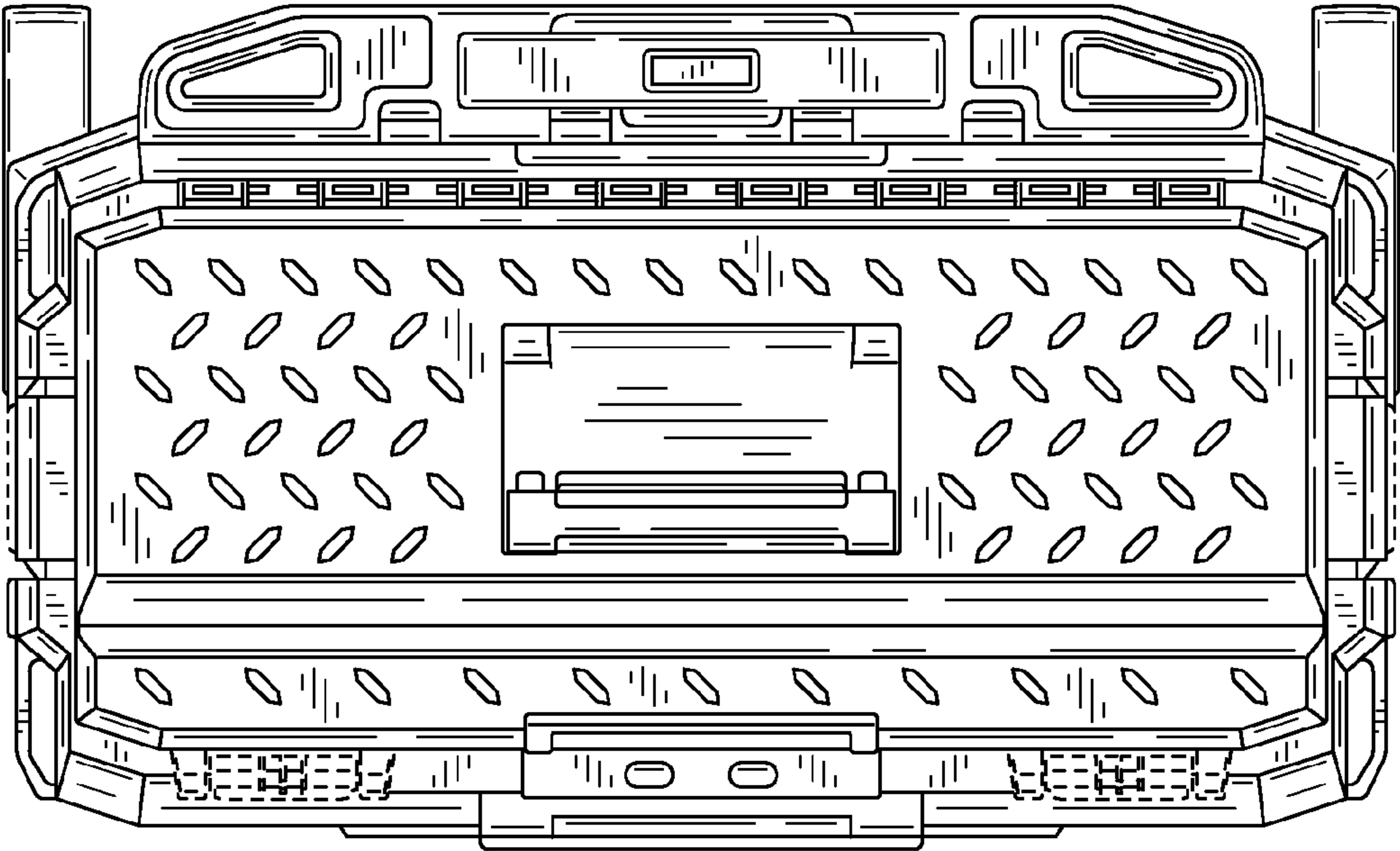


FIG. 6

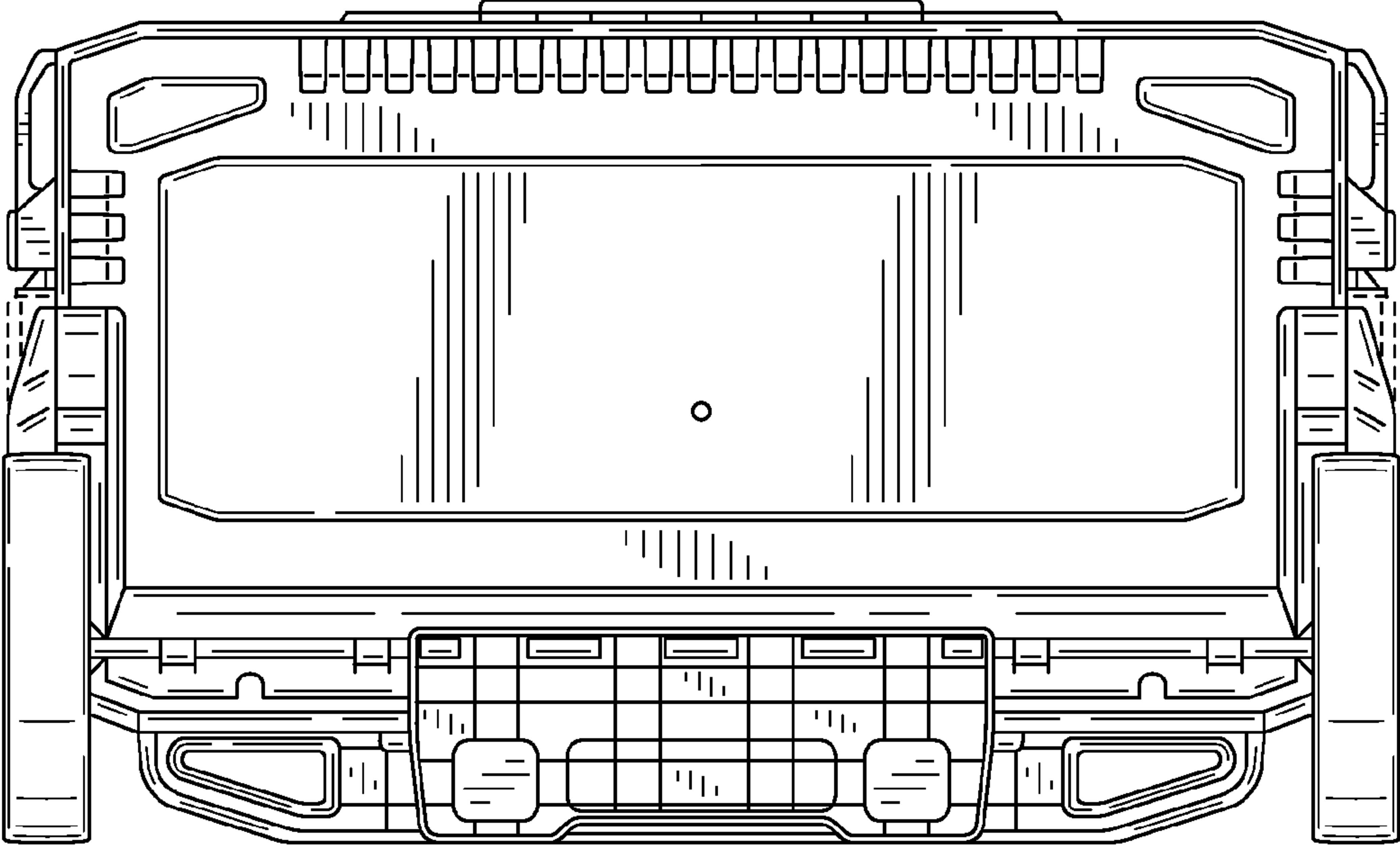


FIG. 7