



US00D630849S

(12) **United States Design Patent**  
**Toner**

(10) **Patent No.:** **US D630,849 S**

(45) **Date of Patent:** **\*\* Jan. 18, 2011**

(54) **COMBINATION WALLET TOOL**

D403,858 S \* 1/1999 Wicks ..... D3/249  
6,145,994 A \* 11/2000 Ng ..... 362/119  
6,691,905 B2 \* 2/2004 Berdan ..... 224/183

(76) Inventor: **James Carl Toner**, 103 Belvedere Dr.,  
Morganton, NC (US) 28655

\* cited by examiner

(\*\*) Term: **14 Years**

*Primary Examiner*—Holly H Baynham  
(74) *Attorney, Agent, or Firm*—Shoemaker and Mattare

(21) Appl. No.: **29/367,766**

(22) Filed: **Aug. 12, 2010**

(57) **CLAIM**

**Related U.S. Application Data**

The ornamental design for a combination wallet tool, as shown and described.

(63) Continuation of application No. 12/412,154, filed on Mar. 26, 2009, which is a continuation-in-part of application No. 12/030,456, filed on Feb. 13, 2008, now abandoned.

**DESCRIPTION**

(51) **LOC (9) Cl.** ..... **03-01**

FIG. 1 is a perspective view of a combination wallet tool, showing my new design from the front, top and left side in a closed configuration;

(52) **U.S. Cl.** ..... **D3/249**

FIG. 2 is a perspective view thereof from the front, top and right side, in a partially open configuration;

(58) **Field of Classification Search** ..... D3/247–254,  
D3/208, 228; 150/130–132, 136–138  
See application file for complete search history.

FIG. 3 is a perspective view thereof in a fully open configuration, showing interior details; and,

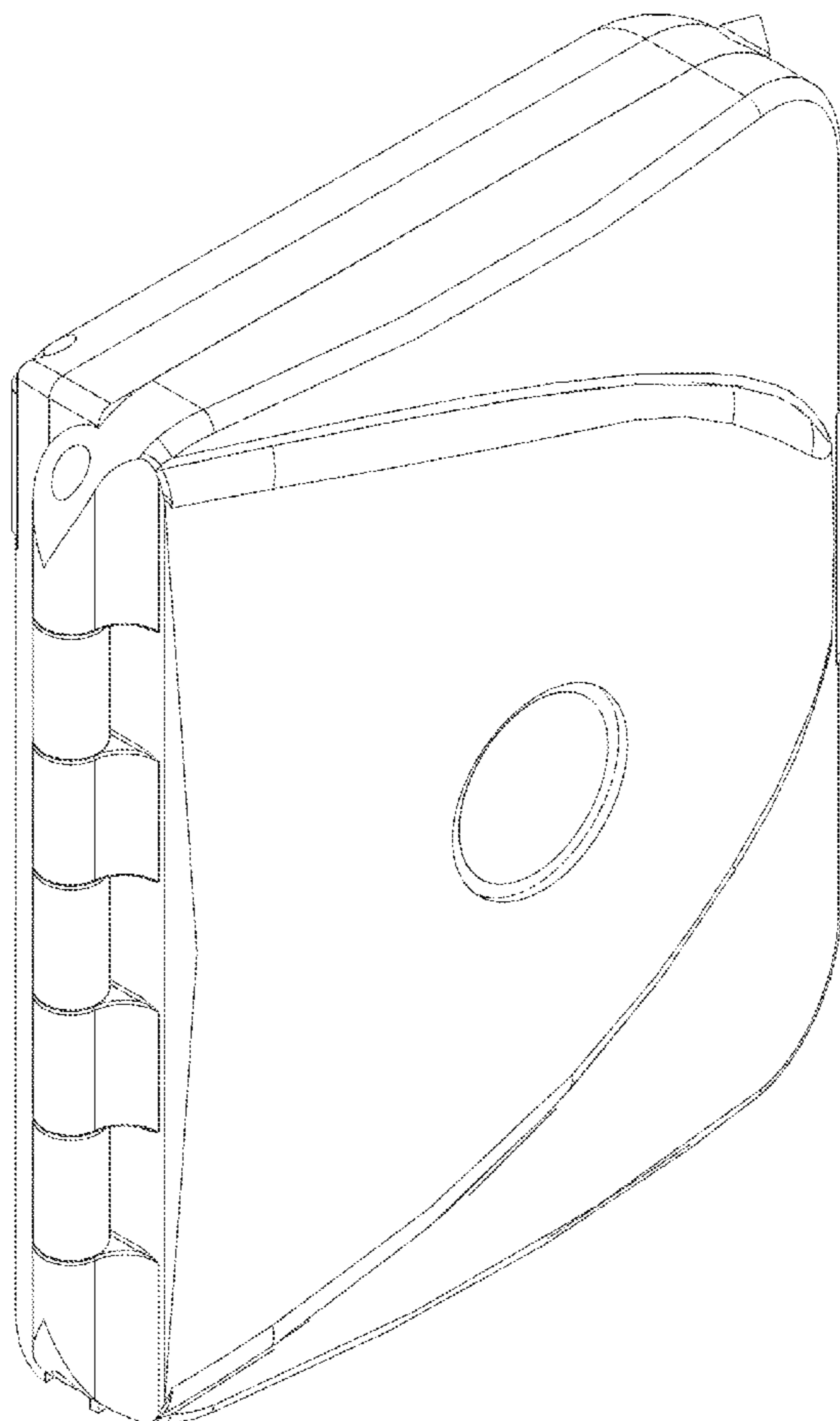
(56) **References Cited**

FIG. 4 is a perspective view thereof in an open configuration, showing exterior details.

**U.S. PATENT DOCUMENTS**

5,370,419 A \* 12/1994 Takayama ..... 281/31

**1 Claim, 4 Drawing Sheets**



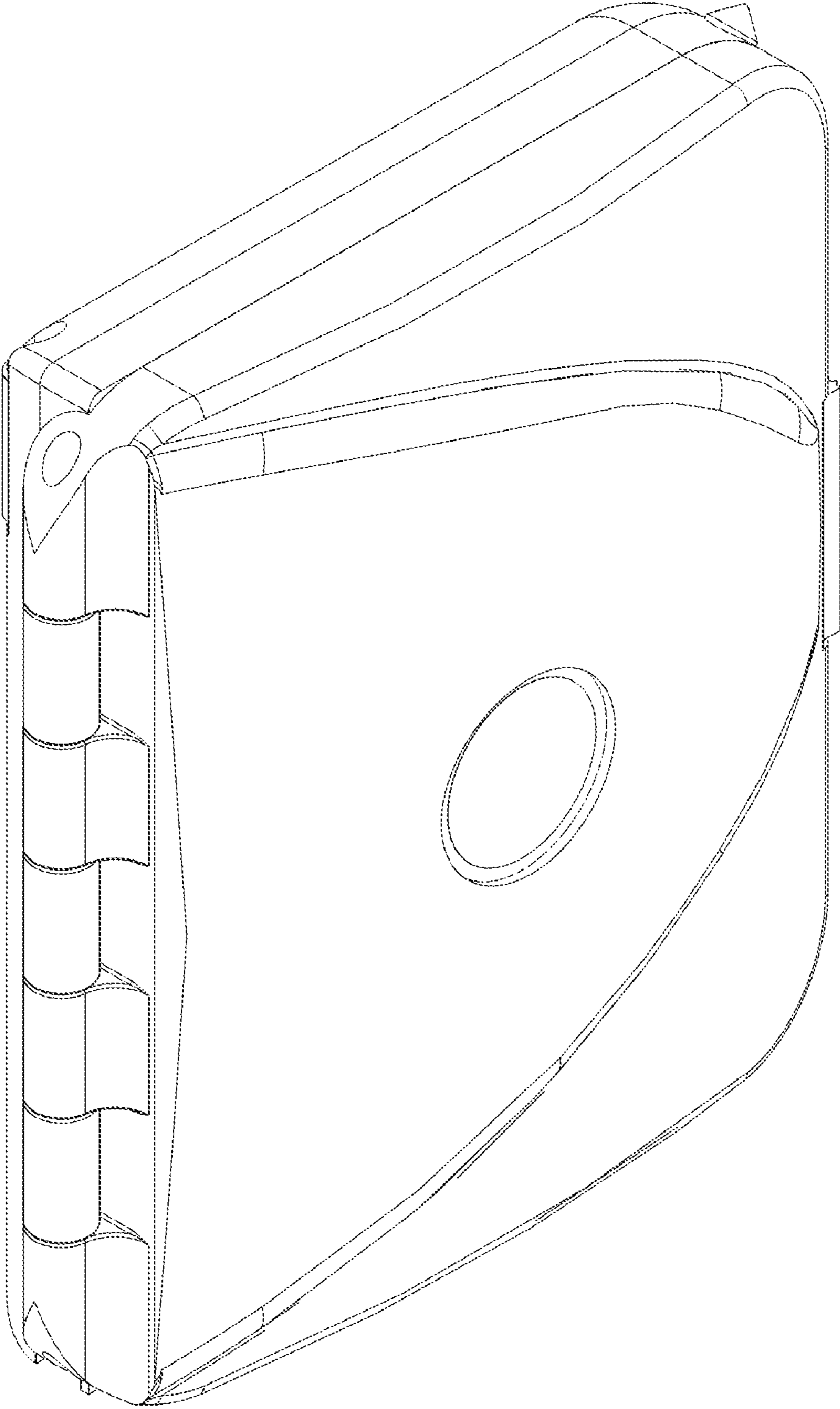


Fig. 1

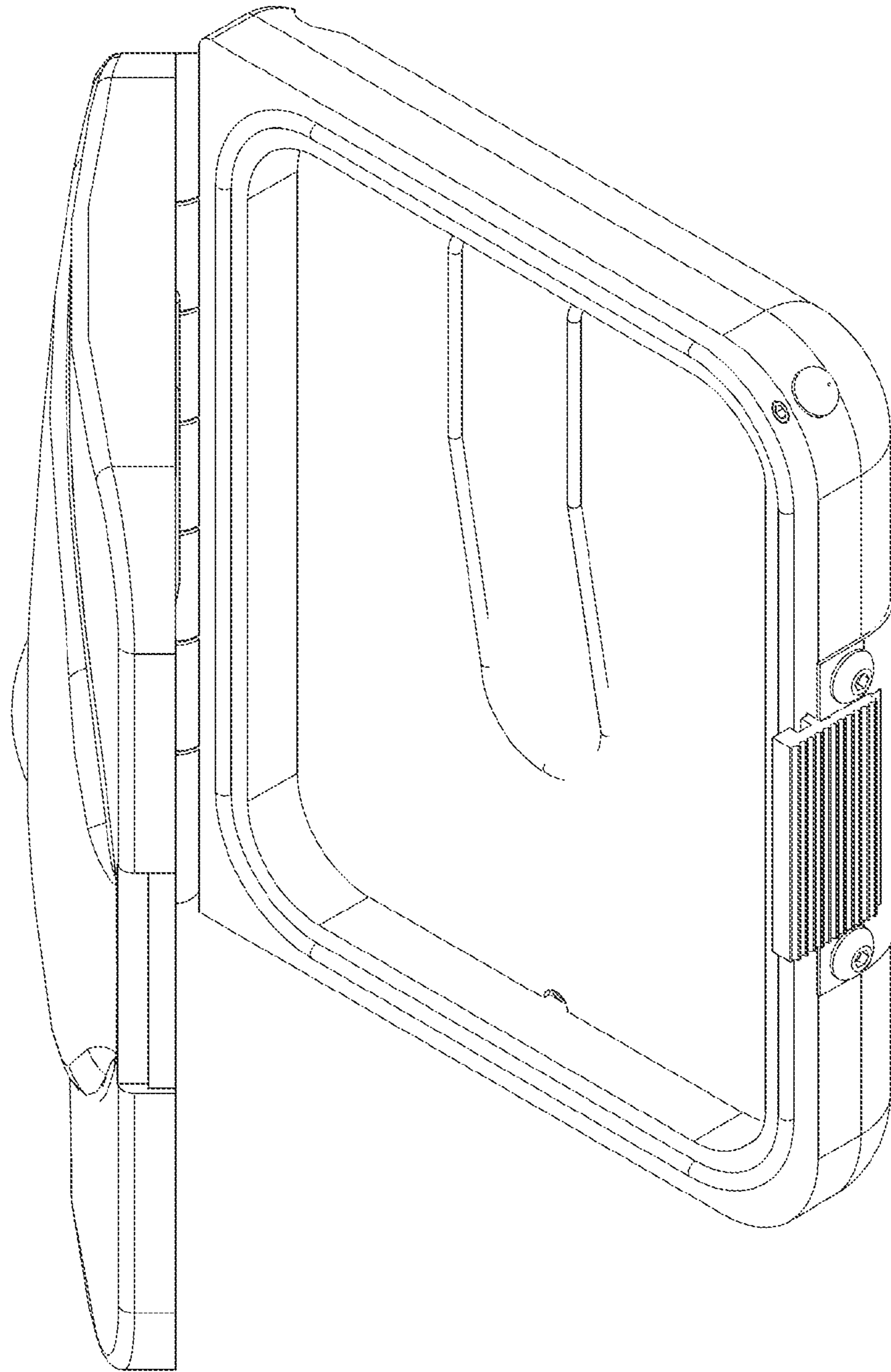


Fig. 2

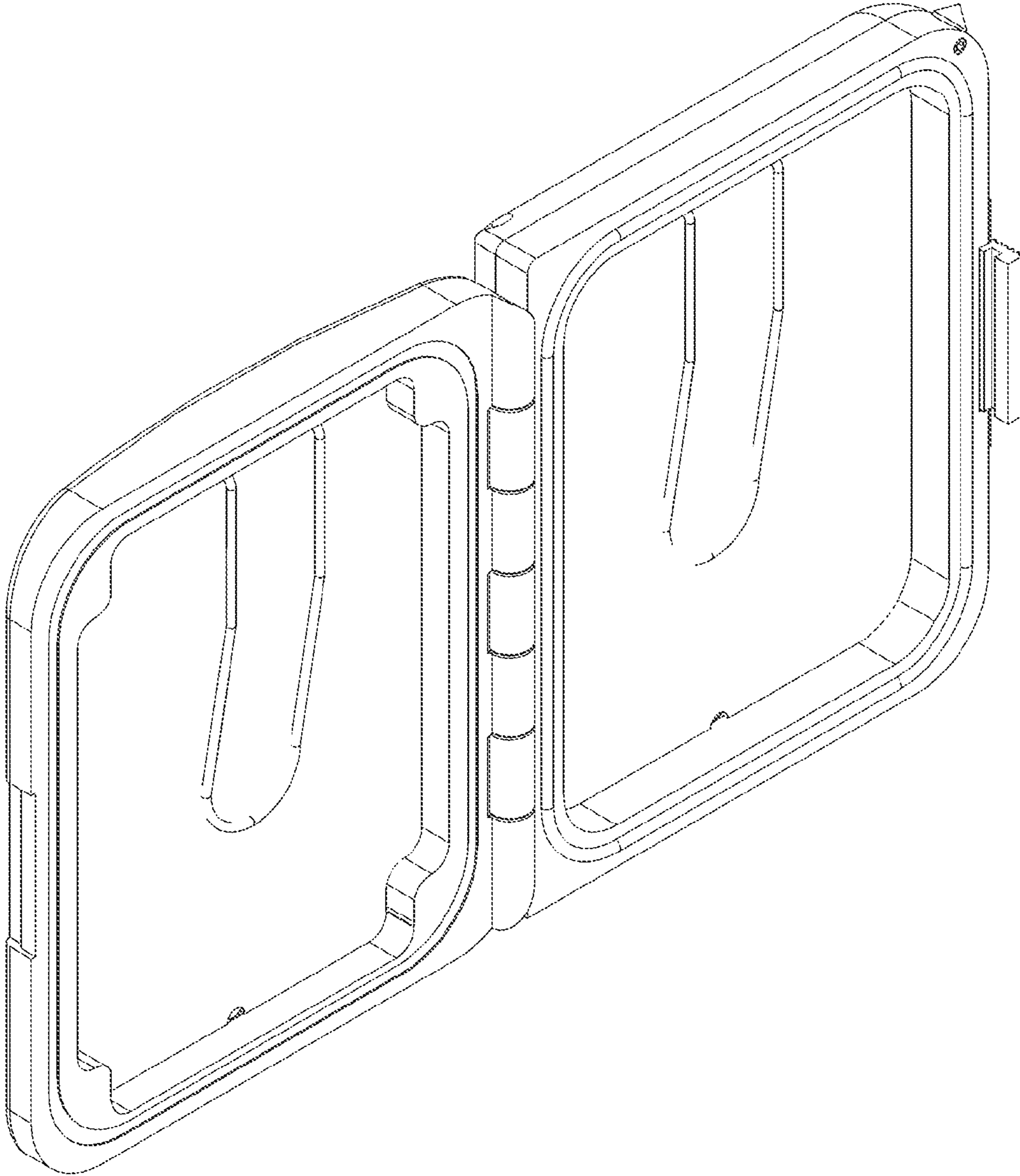


Fig. 3

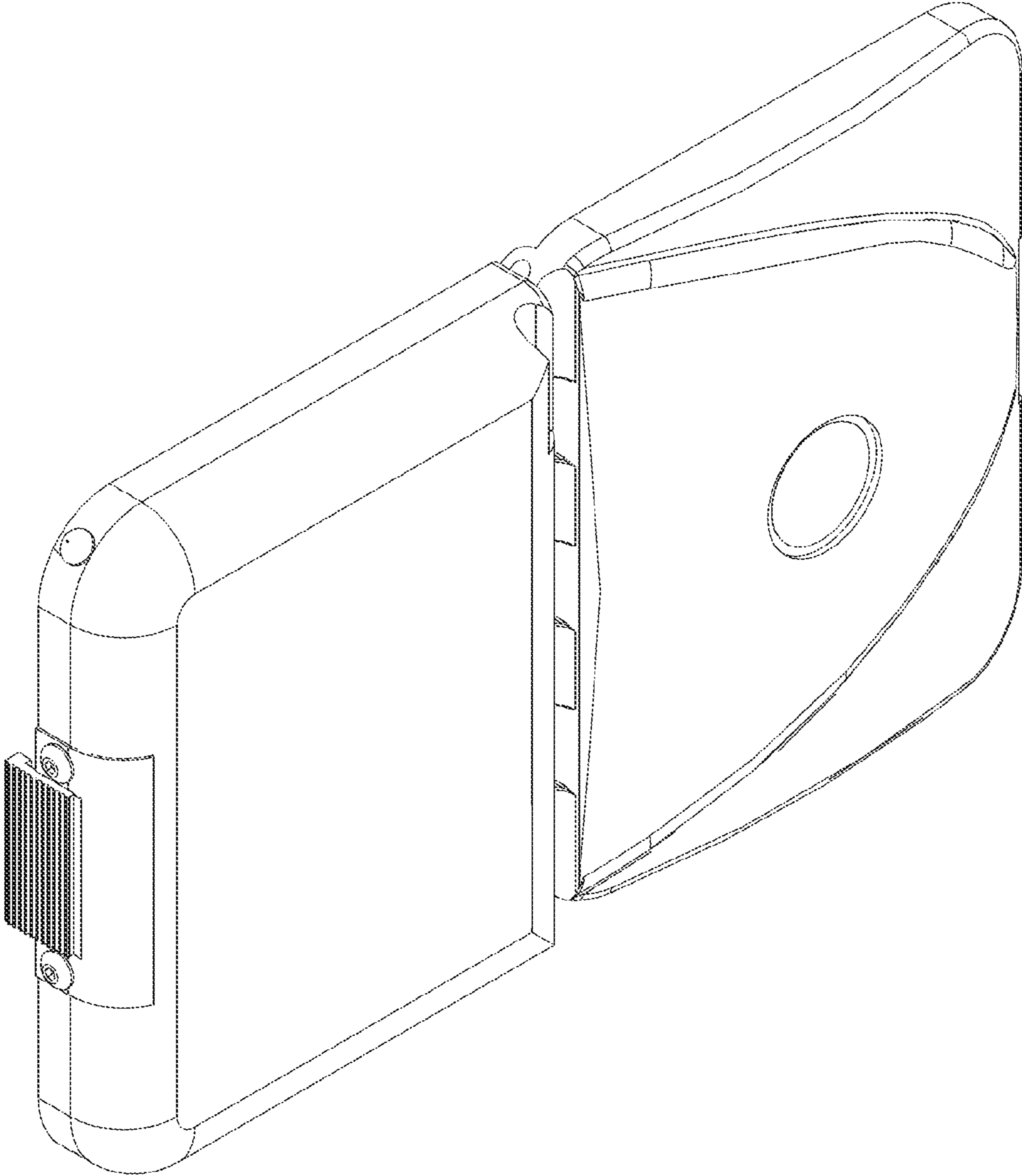


Fig. 4