



US00D630848S

(12) **United States Design Patent**  
**Long et al.**

(10) **Patent No.:** **US D630,848 S**  
(45) **Date of Patent:** **\*\* \*Jan. 18, 2011**

(54) **IDENTIFICATION CARD HOLDER**

7,578,446 B2 \* 8/2009 Yen ..... 235/486

(75) Inventors: **Marvin Timothy Long**, Matthews, NC (US); **Karl Allen Ziegler**, Greenwood, SC (US)

\* cited by examiner

*Primary Examiner*—Robert M Spear

*Assistant Examiner*—Barbara B Lohr

(74) *Attorney, Agent, or Firm*—Dority & Manning, P.A.

(73) Assignee: **Laminex, Inc.**, Fort Mill, SC (US)

(\* ) Notice: This patent is subject to a terminal disclaimer.

(57) **CLAIM**

The ornamental design for an identification card holder, as shown and described.

(\*\*) Term: **14 Years**

**DESCRIPTION**

(21) Appl. No.: **29/334,424**

FIG. 1 is a perspective view of the identification card holder according to the present invention.

(22) Filed: **Mar. 26, 2009**

FIG. 2 is a front view of the identification card holder of FIG. 1.

(51) **LOC (9) Cl.** ..... **03-01**

(52) **U.S. Cl.** ..... **D3/247**

(58) **Field of Classification Search** ..... D3/201, D3/247, 248, 249, 250, 251, 252, 253; 150/100, 150/103, 104, 107, 108, 109, 110, 114, 118, 150/119, 132, 145, 147, 148, 149, 244; 383/38; 206/6, 37, 38, 39, 39.1, 39.4, 39.5, 39.6, 206/425, 449, 484, 575, 815; D11/200, 216; 40/1.5, 124.06; 235/486

See application file for complete search history.

FIG. 3 is back side view of the identification card holder of FIG. 1.

FIG. 4 is a side view of the identification card holder of FIG. 1.

FIG. 5 is the opposite side view of the identification card holder of FIG. 1.

FIG. 6 is a top view of the identification card holder of FIG. 1.

FIG. 7 is a bottom view of the identification card holder of FIG. 1.

FIG. 8 is a perspective view of another embodiment of the identification card holder of the present invention; and,

FIG. 9 is a front view of the identification card holder of FIG. 8.

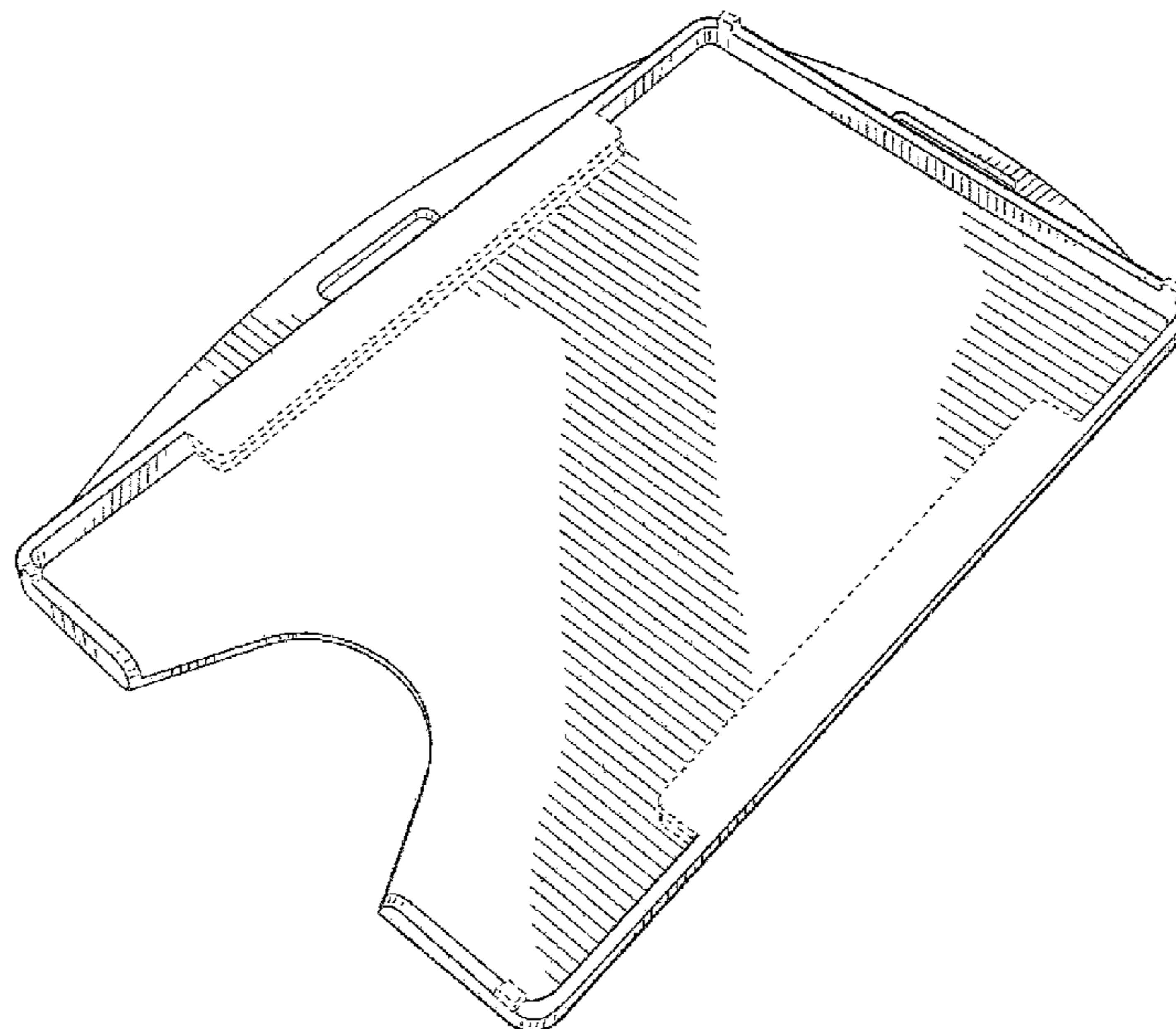
Elements shown in the drawings in the form of dotted lines form no part of the claimed invention.

(56) **References Cited**

**U.S. PATENT DOCUMENTS**

- D411,765 S \* 7/1999 Holihan ..... D3/247
- D431,719 S \* 10/2000 Mucarquer ..... D3/247
- D470,657 S \* 2/2003 Kawamura ..... D3/247
- 7,228,651 B1 \* 6/2007 Saari ..... 40/1.5
- D590,151 S \* 4/2009 Karobkina et al. .... D3/247

**1 Claim, 7 Drawing Sheets**



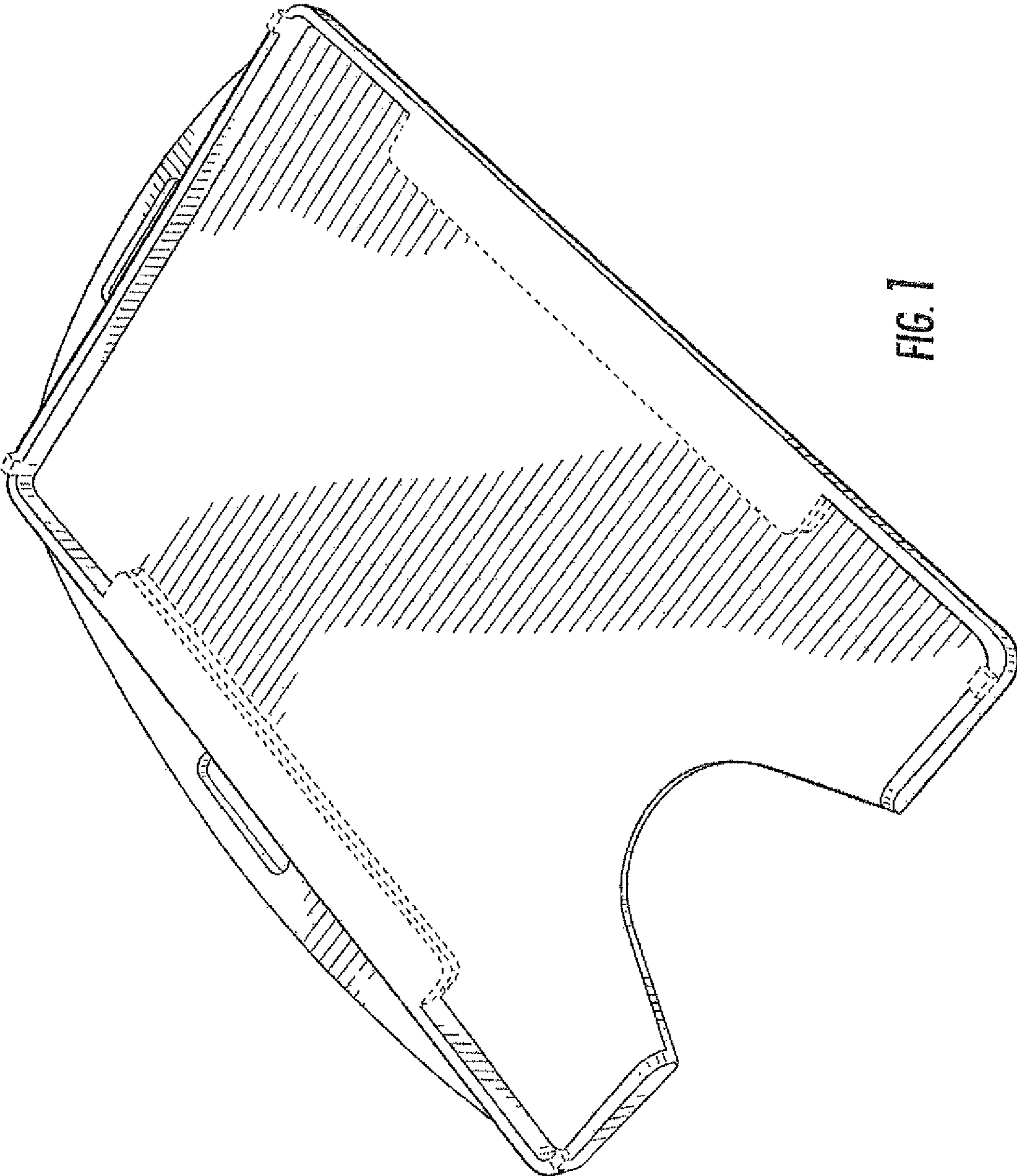


FIG. 1

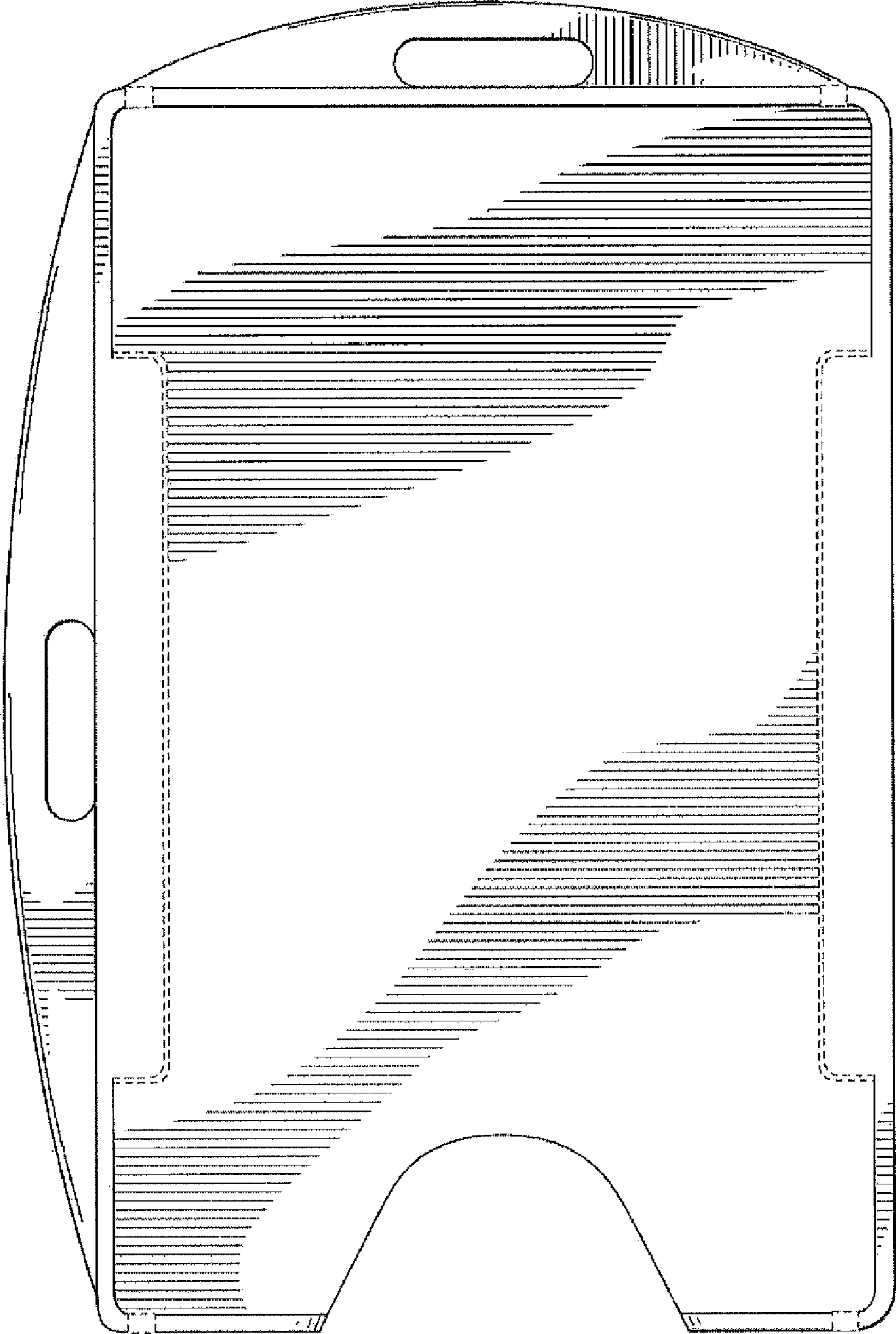


FIG. 2

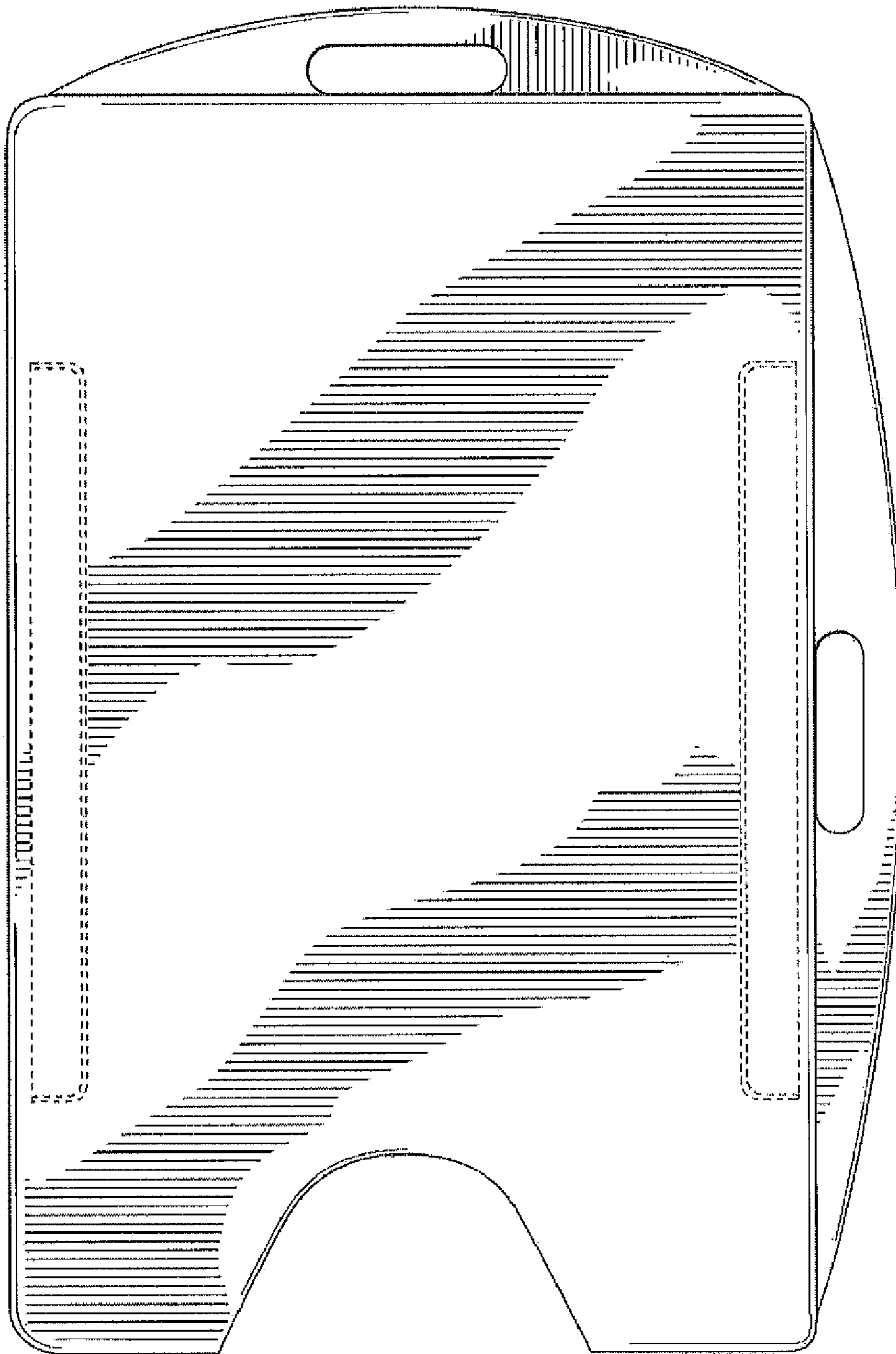


FIG. 3



FIG. 4



FIG. 5





FIG. 6



FIG. 7

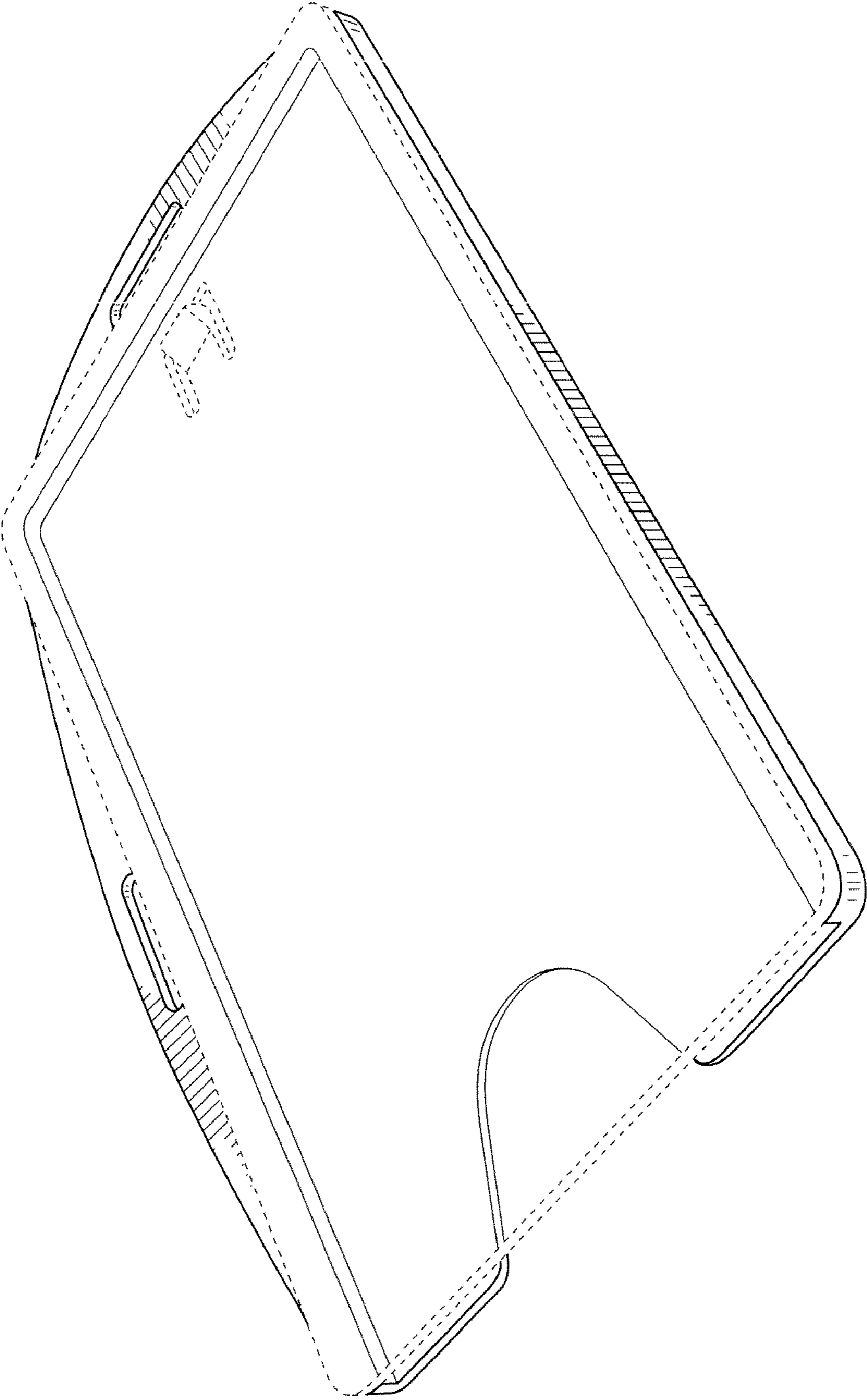


FIG. 8

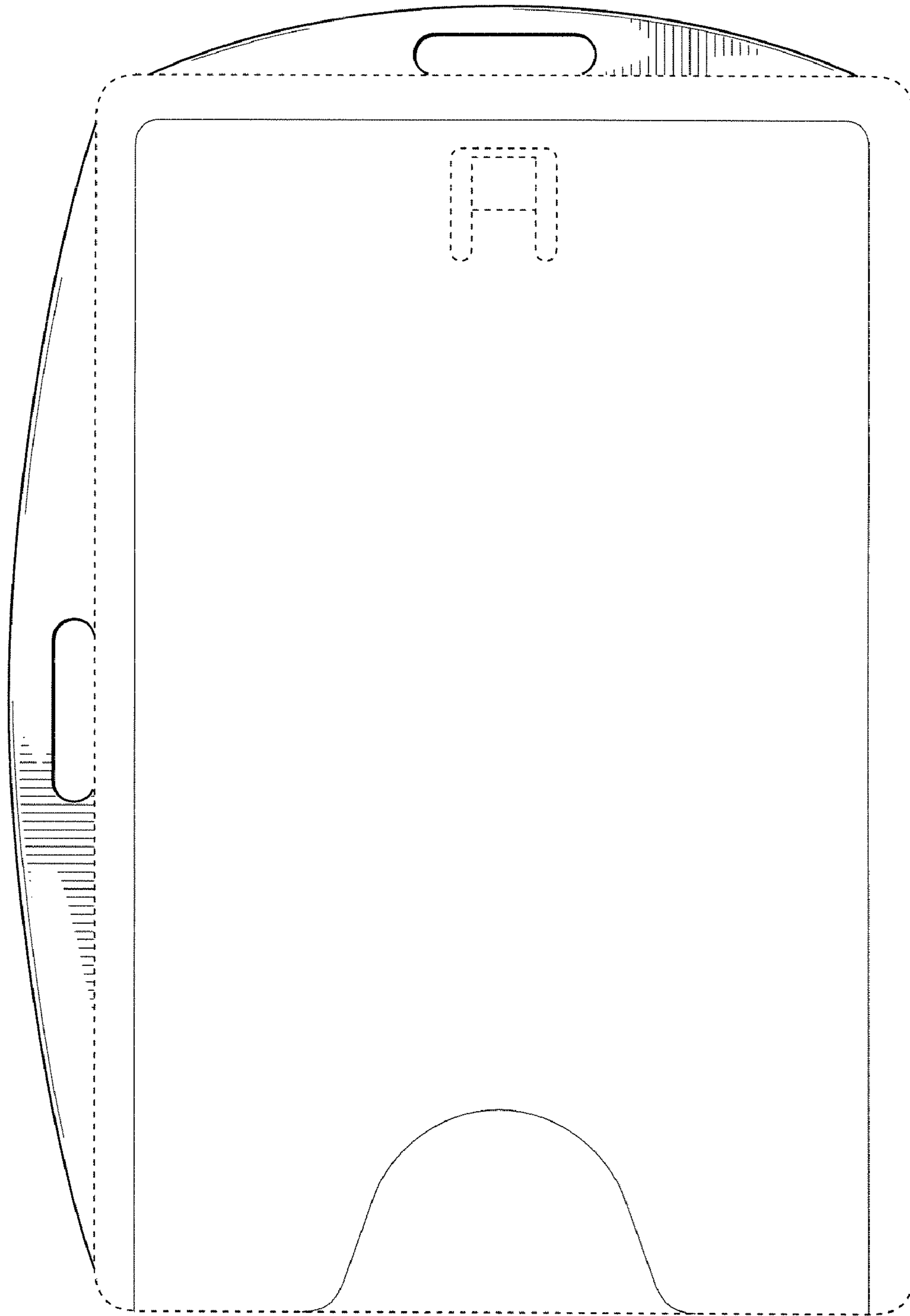


FIG. 9