



US00D630845S

(12) **United States Design Patent**
Guichot

(10) **Patent No.:** **US D630,845 S**
(45) **Date of Patent:** **** Jan. 18, 2011**

(54) **HANDBAG**

(75) Inventor: **Isabelle Guichot**, Paris (FR)

(73) Assignee: **Balenciaga**, Paris (FR)

(**) Term: **14 Years**

(21) Appl. No.: **29/363,750**

(22) Filed: **Jun. 14, 2010**

(30) **Foreign Application Priority Data**

Mar. 23, 2010 (EM) 001203830-0002

(51) **LOC (9) Cl.** **03-01**

(52) **U.S. Cl.** **D3/232**

(58) **Field of Classification Search** D3/232-233,
D3/240-246, 318, 324, 273; 150/100, 103-110,
150/113-114, 118-119

See application file for complete search history.

(56) **References Cited**

U.S. PATENT DOCUMENTS

4,257,463 A * 3/1981 Monaco 150/111
D326,360 S * 5/1992 Tasou D3/238

D584,046 S * 1/2009 Montague D3/243

* cited by examiner

Primary Examiner—Holly H Baynham

(74) *Attorney, Agent, or Firm*—Collen IP; Donald J. Ranft

(57) **CLAIM**

The ornamental design for a handbag, as shown and described.

DESCRIPTION

FIG. 1 is a front view of my new, original and ornamental design for a handbag;

FIG. 2 is a rear view thereof;

FIG. 3 is a top view thereof;

FIG. 4 is a bottom view thereof;

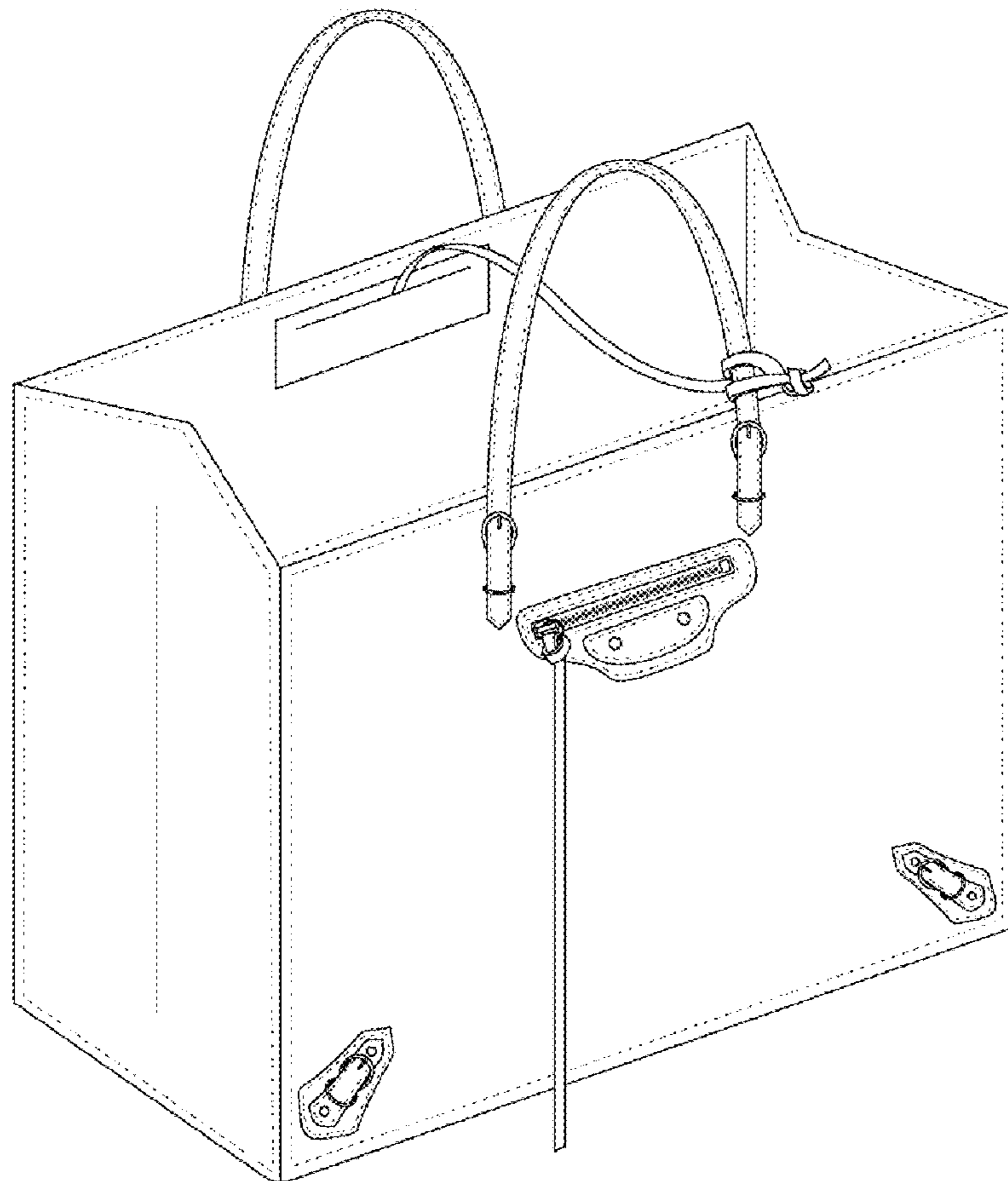
FIG. 5 is a left side view thereof;

FIG. 6 is a right side view thereof; and,

FIG. 7 is a front perspective view thereof.

The broken lines showing stitching are part of the claimed design.

1 Claim, 6 Drawing Sheets



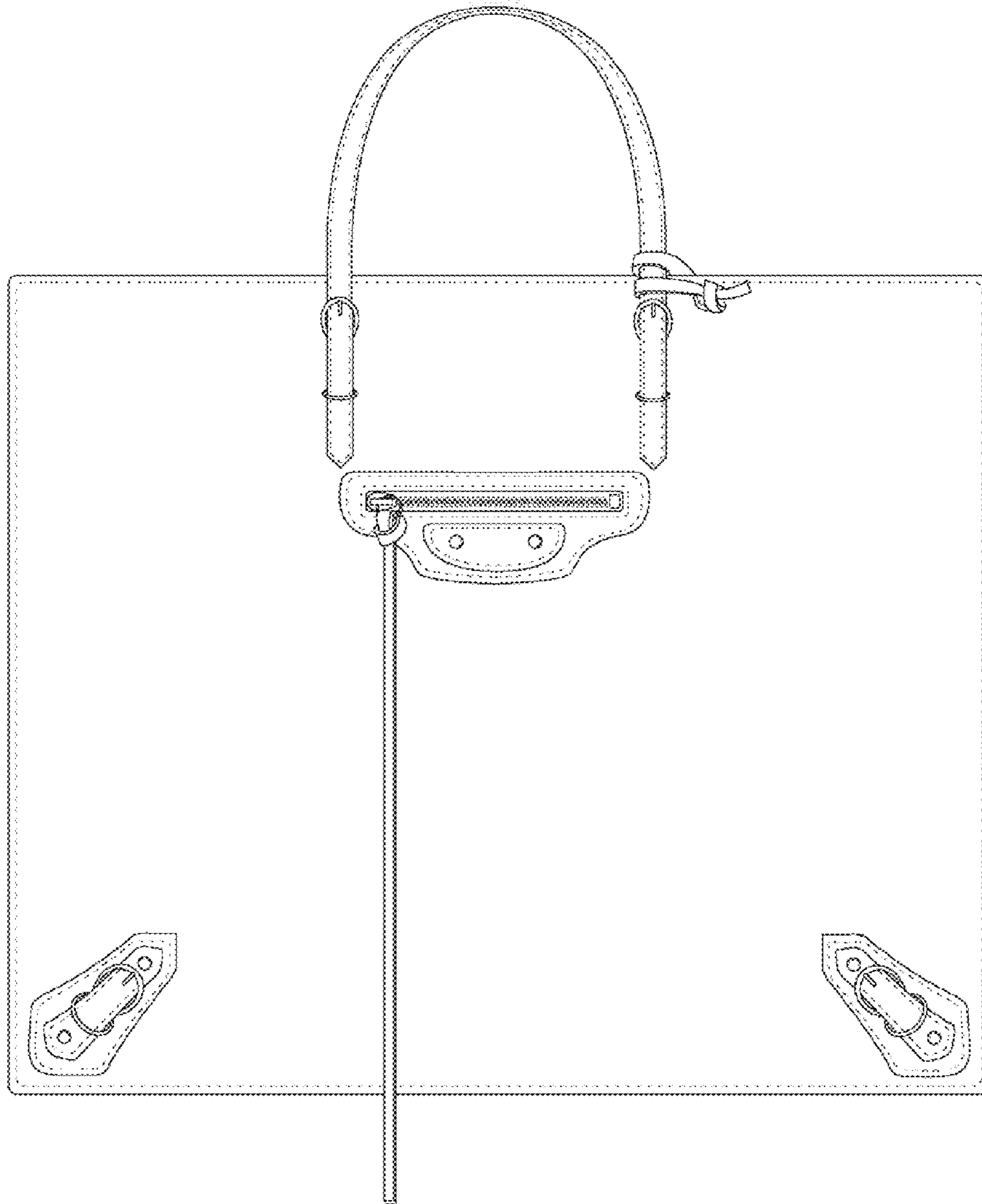


FIG. 1

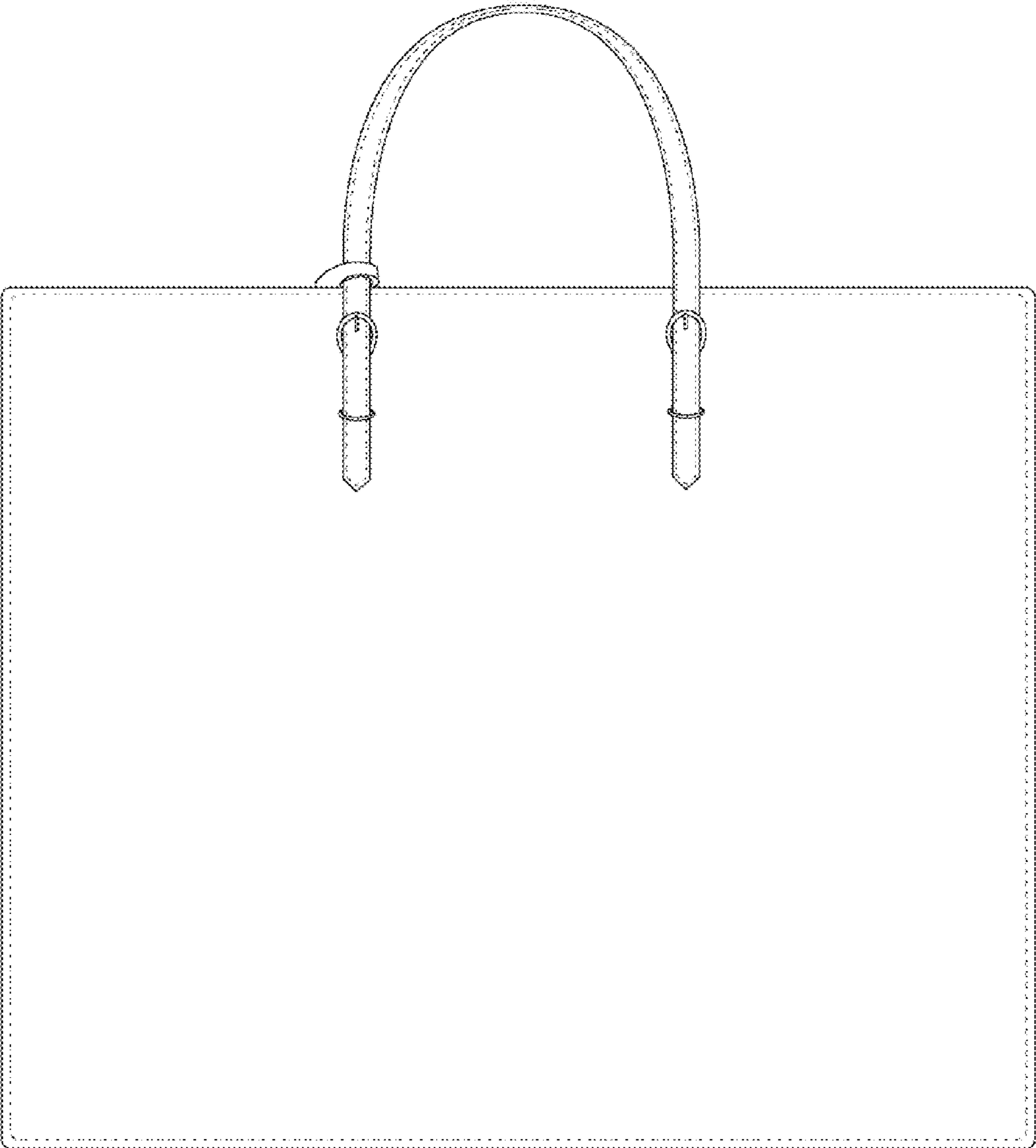


FIG. 2

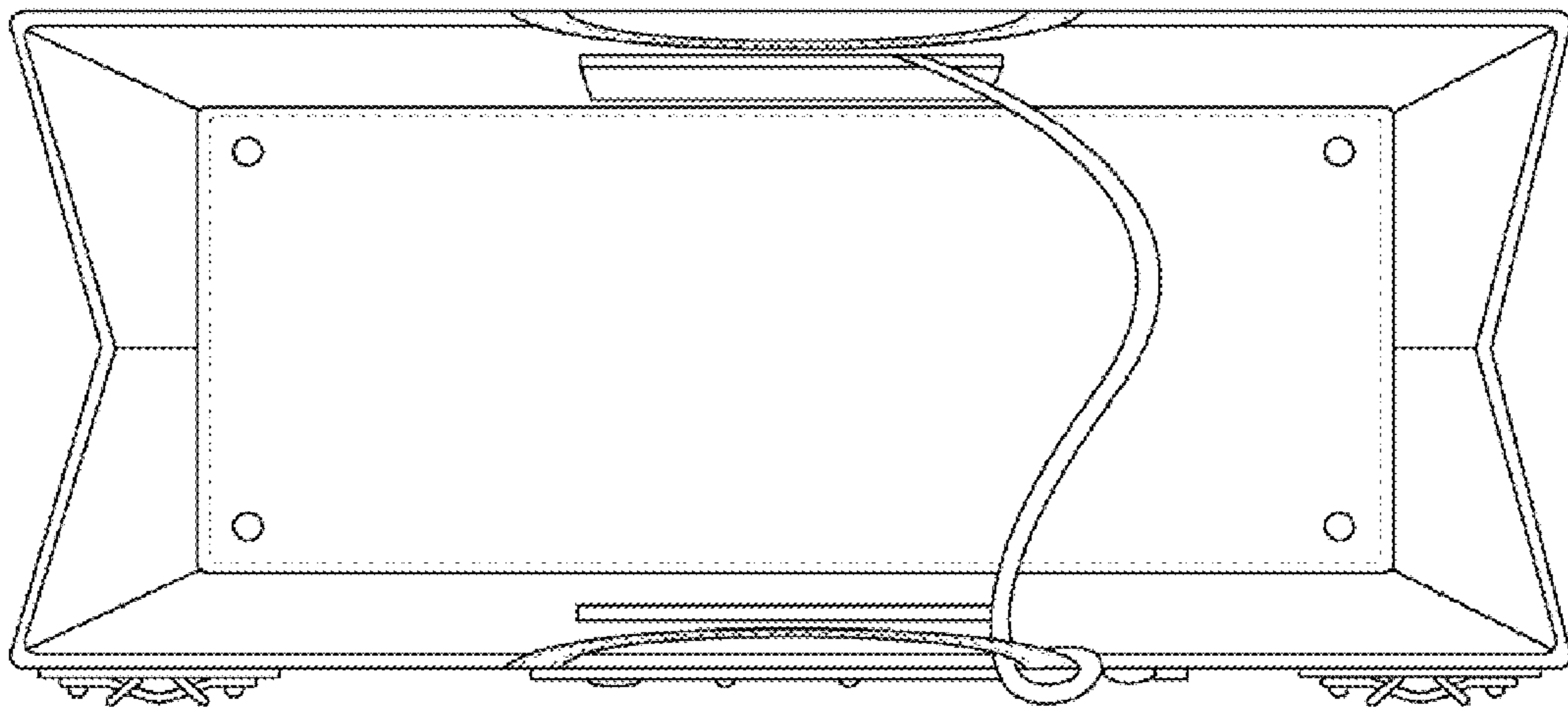


FIG. 3

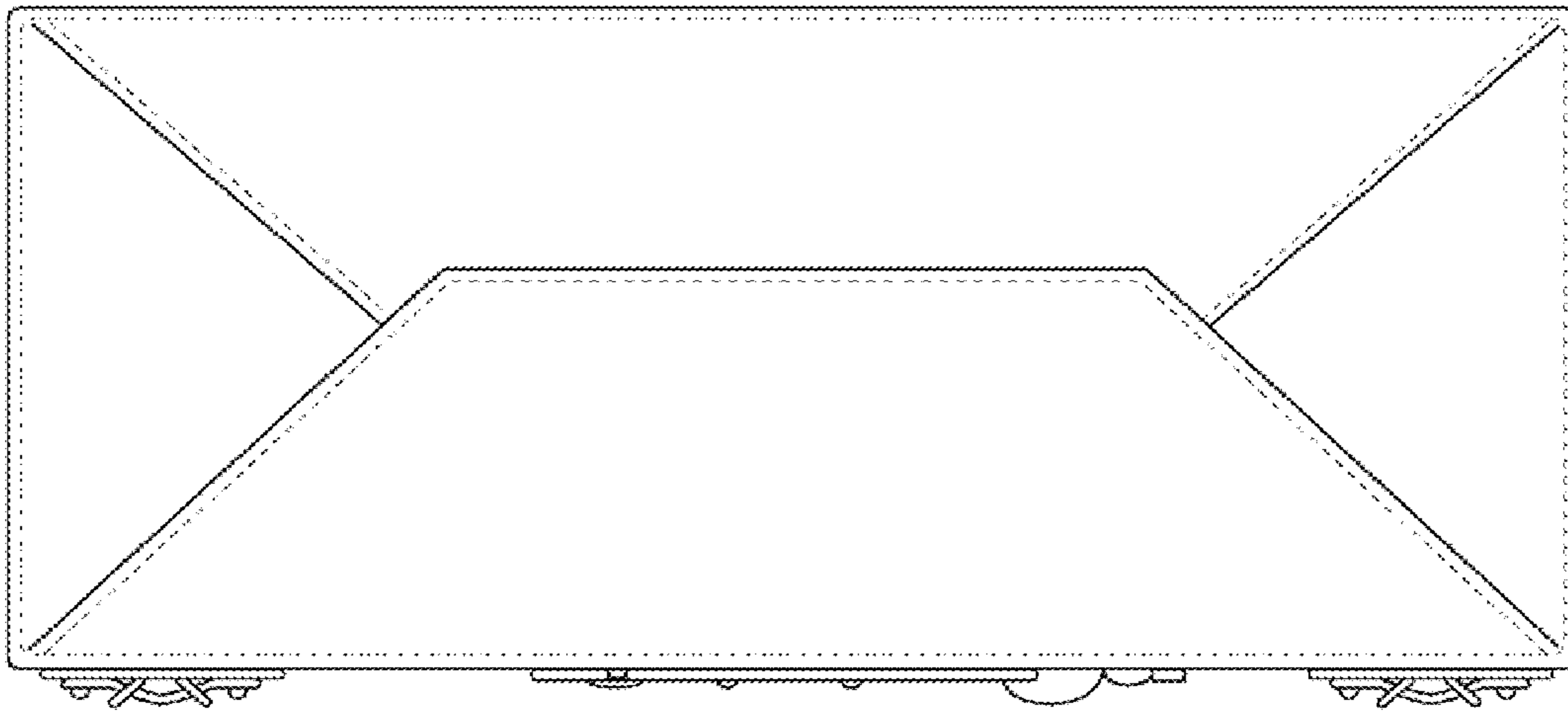
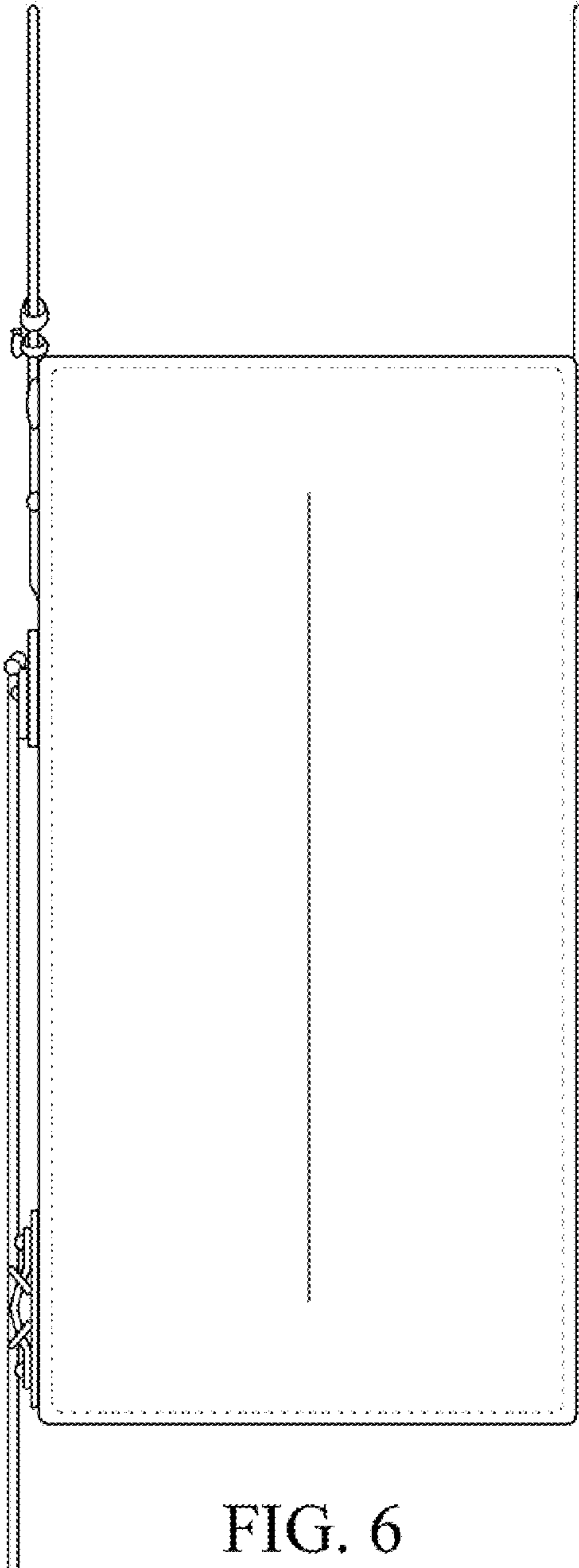
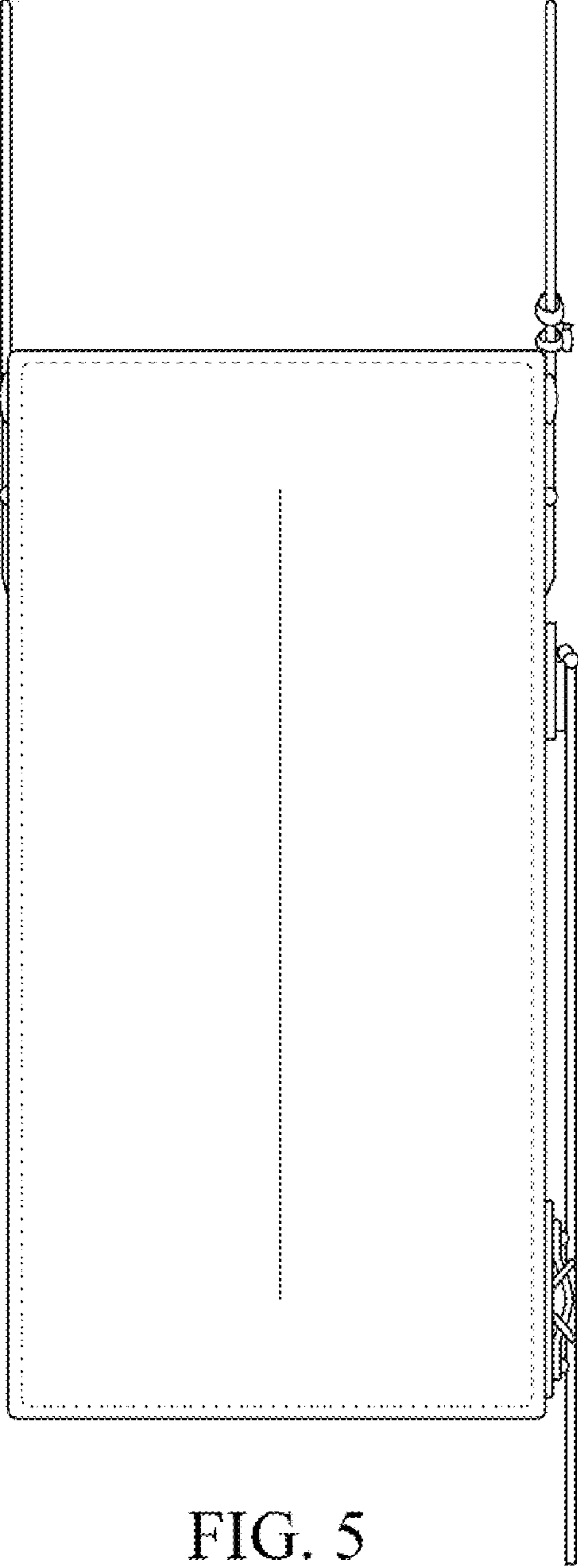


FIG. 4



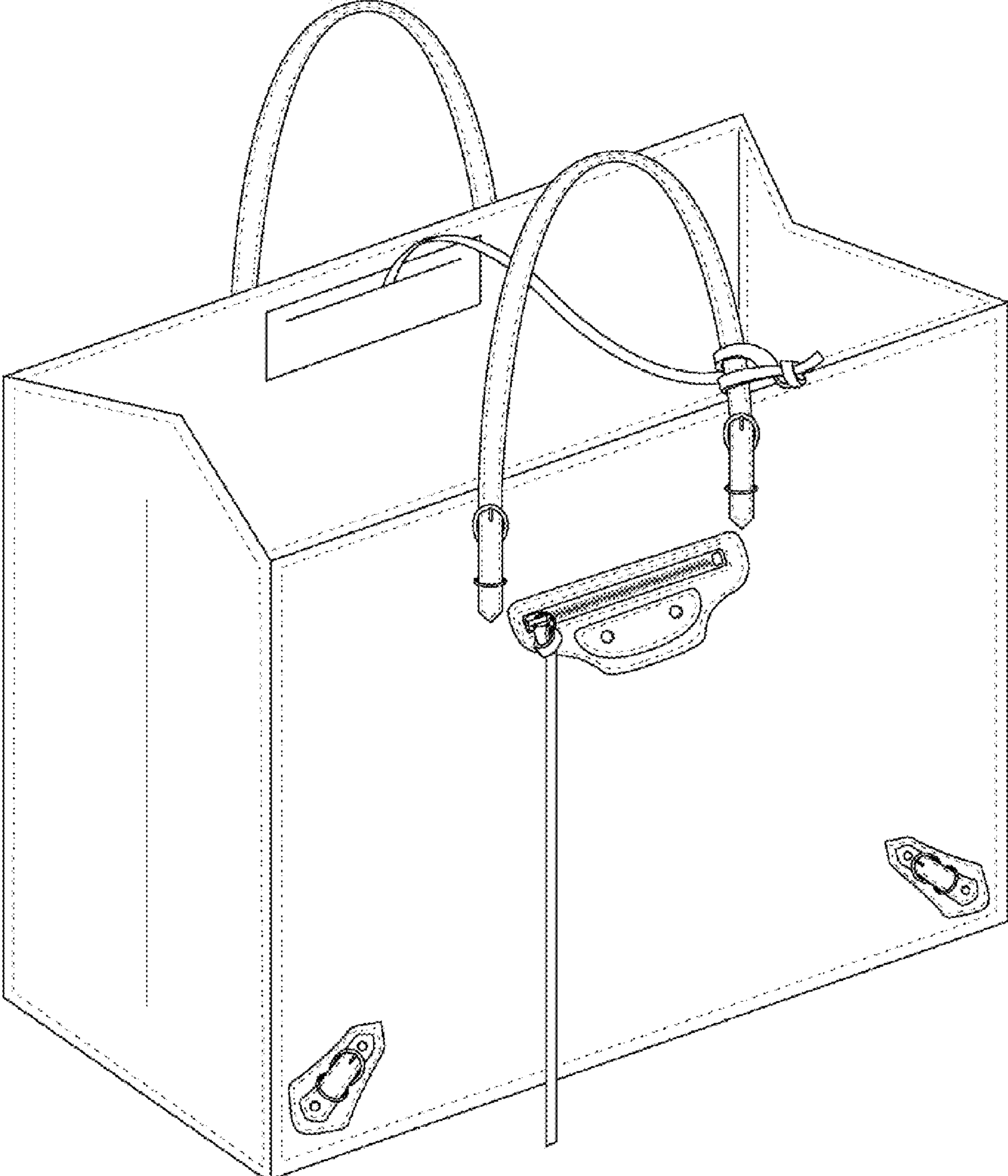


FIG. 7