



US00D630843S

(12) **United States Design Patent**
Thibodeau

(10) **Patent No.:** **US D630,843 S**
(45) **Date of Patent:** **** Jan. 18, 2011**

(54) **BEVERAGE POUCH**

(76) Inventor: **Leslie Thibodeau**, 101 E. McNab Rd.,
#307, Pompano Beach, FL (US) 33060

(**) Term: **14 Years**

(21) Appl. No.: **29/350,649**

(22) Filed: **Nov. 20, 2009**

Related U.S. Application Data

(62) Division of application No. 29/322,837, filed on Aug.
13, 2008, now Pat. No. Des. 607,637.

(51) **LOC (9) Cl.** **03-01**

(52) **U.S. Cl.** **D3/229**

(58) **Field of Classification Search** D3/229,
D3/226, 215, 202, 203.8, 230; D7/605, 607-608,
D7/703; 248/102; 383/13, 37, 97, 110; 215/11.6;
224/148.1-148.6

See application file for complete search history.

(56) **References Cited**

U.S. PATENT DOCUMENTS

3,085,612 A * 4/1963 Gobel 215/11.6
D306,800 S * 3/1990 Yeager D3/203.8
D415,390 S * 10/1999 Winnington-Ingram D7/507
D488,357 S * 4/2004 Cabey D7/607

* cited by examiner

Primary Examiner—Catherine R Oliver

(74) *Attorney, Agent, or Firm*—David P. Lhota, Esq.; Malin
Haley DiMaggio Bowen & Lhota, PA

(57) **CLAIM**

The ornamental design for beverage pouch, as shown and
described.

DESCRIPTION

FIG. 1 is a perspective view of the beverage pouch of the
instant invention in a closed position, showing the new
design;

FIG. 2 is a perspective view of the beverage pouch of the
instant invention of FIG. 1 in an opened position;

FIG. 3 is a front elevational view of the beverage pouch of the
instant invention of FIG. 1 in a closed position;

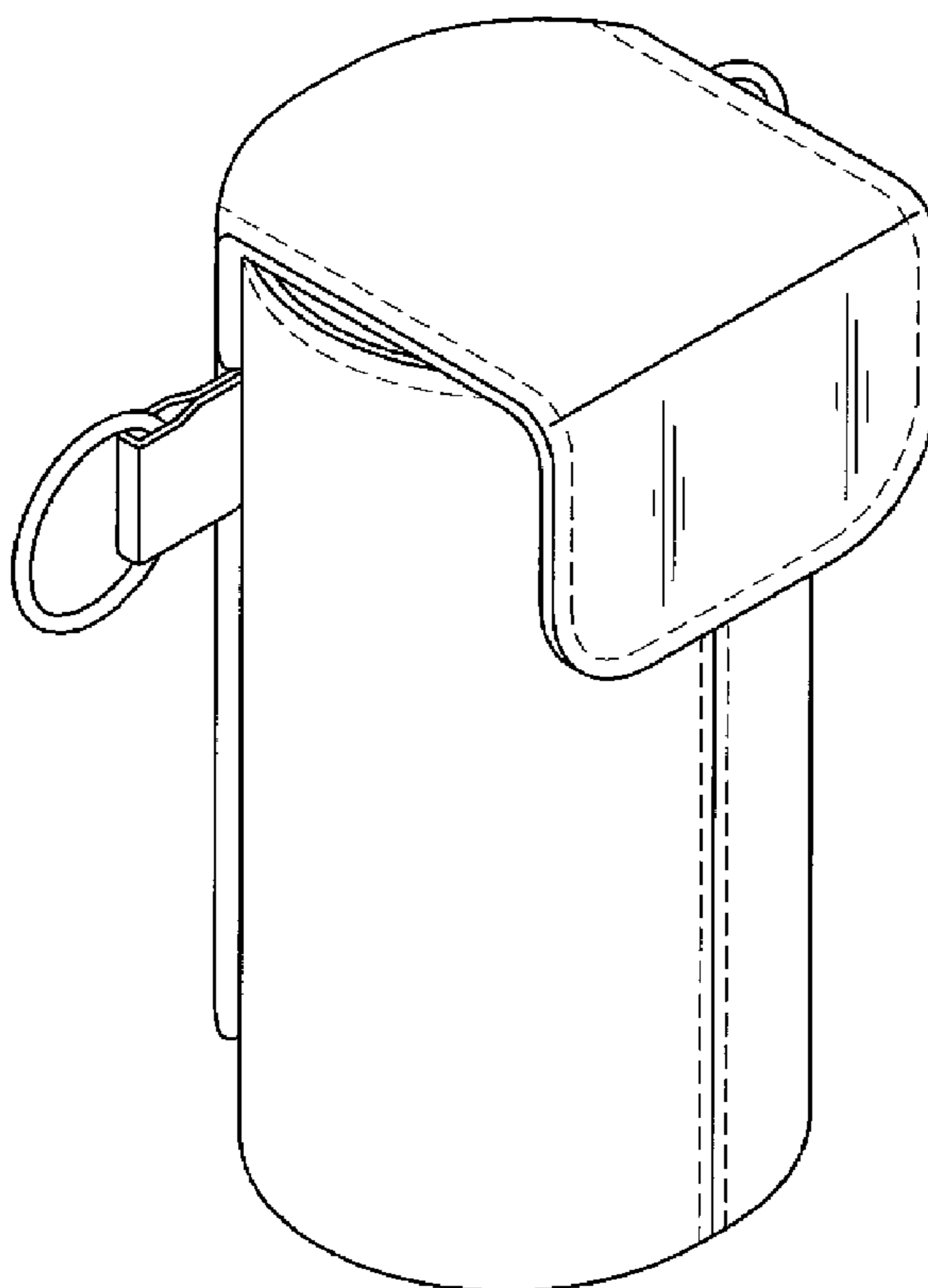
FIG. 4 is a rear elevational view of the beverage pouch of the
instant invention of FIG. 1 in a closed position;

FIG. 5 is a top plan view of the beverage pouch of the instant
invention of FIG. 1 in a closed position;

FIG. 6 is a bottom plan view of the beverage pouch of the
instant invention of FIG. 1 in a closed position; and,

FIG. 7 is a side elevational view of the beverage pouch of the
instant invention of FIG. 1 in a closed position, the opposite
side being a mirror image thereof.

1 Claim, 5 Drawing Sheets



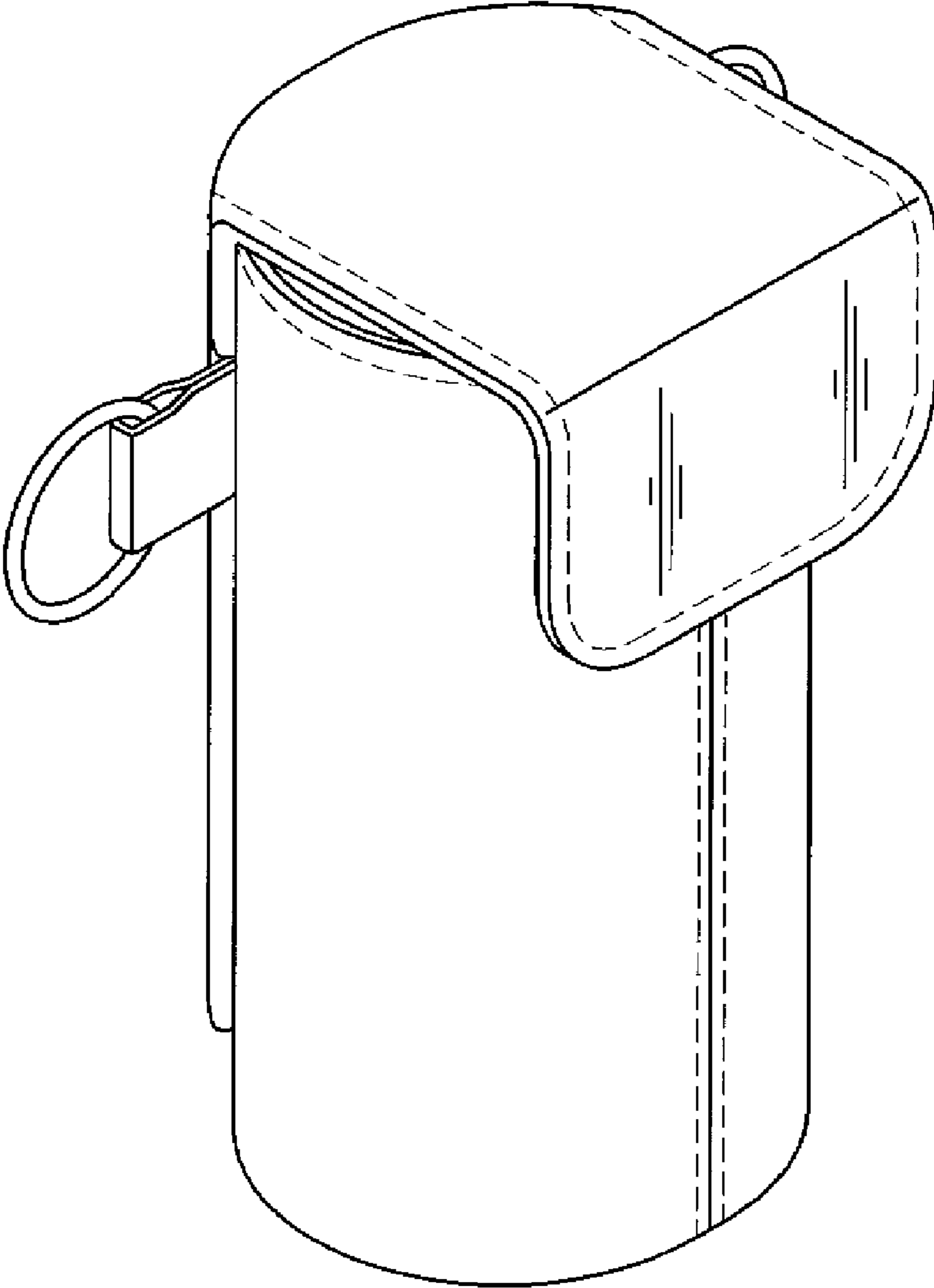


FIG. 1

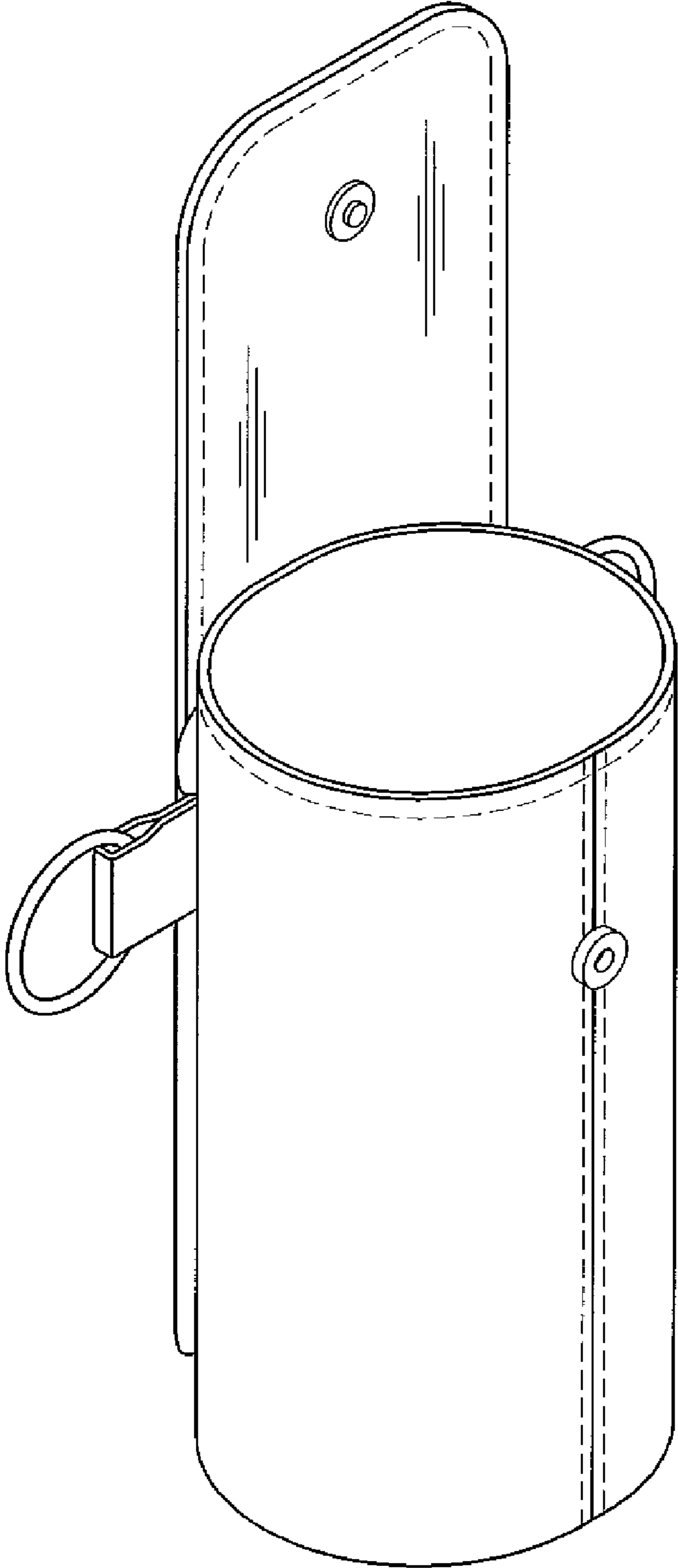


FIG. 2

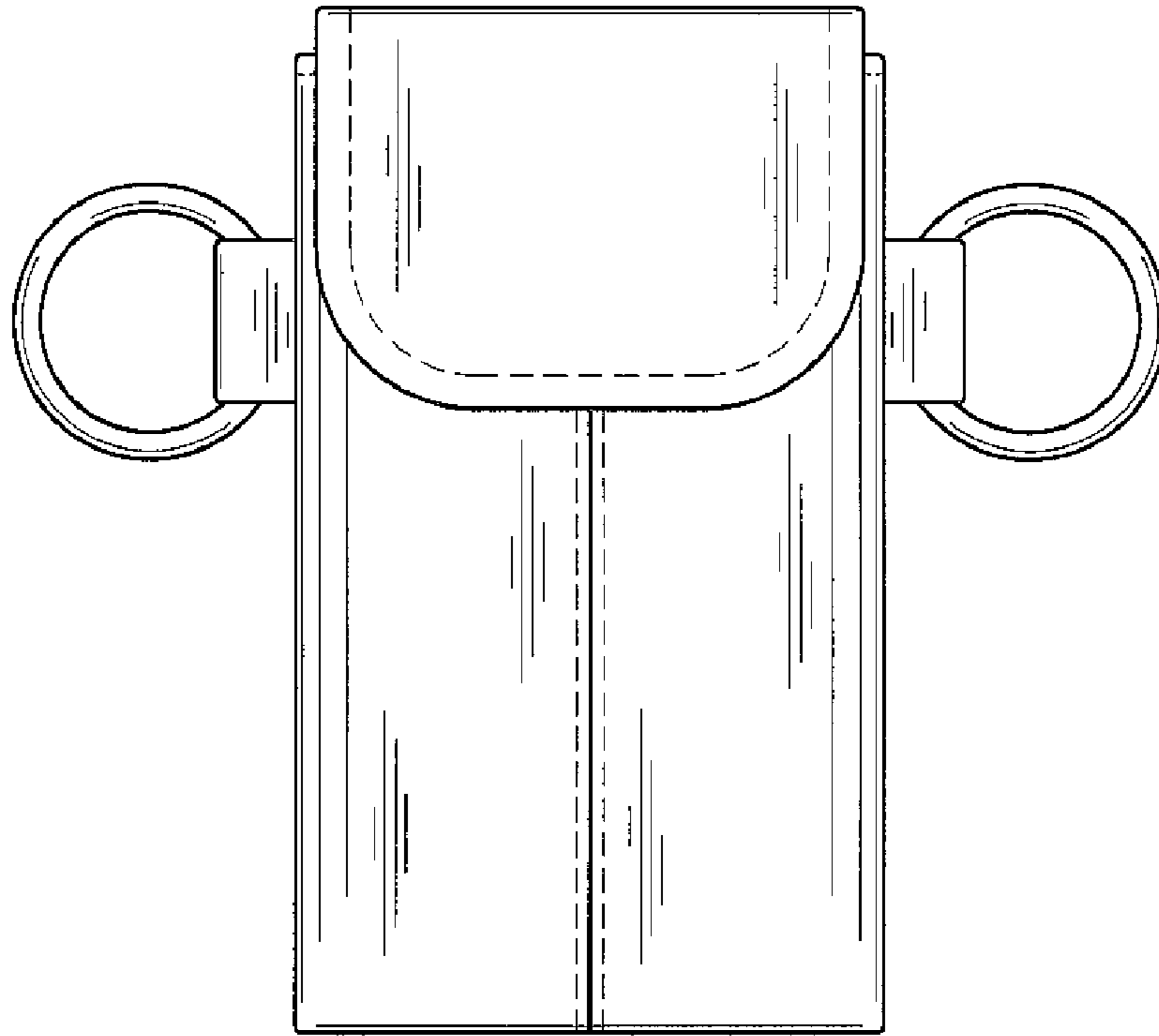


FIG. 3

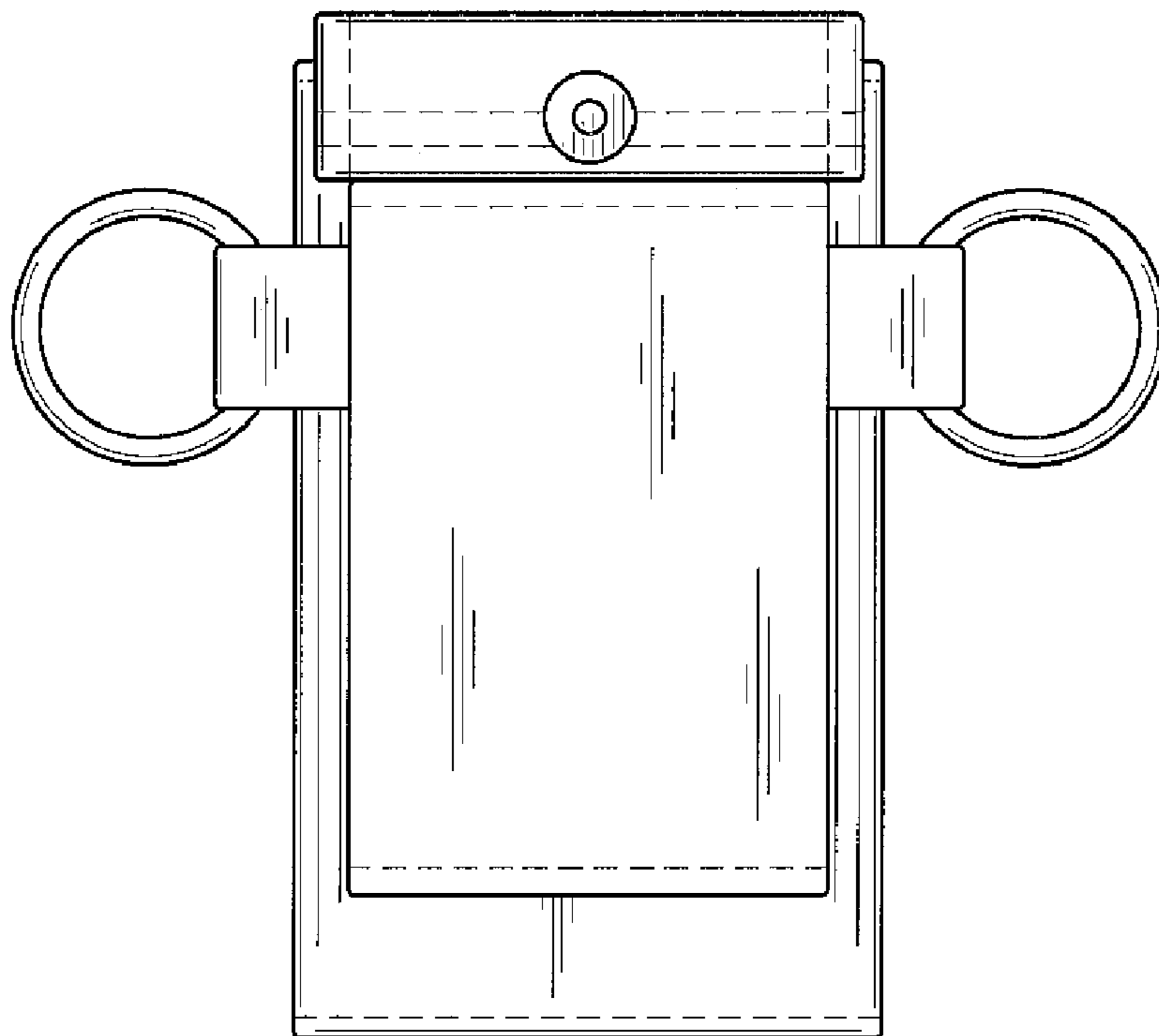


FIG. 4

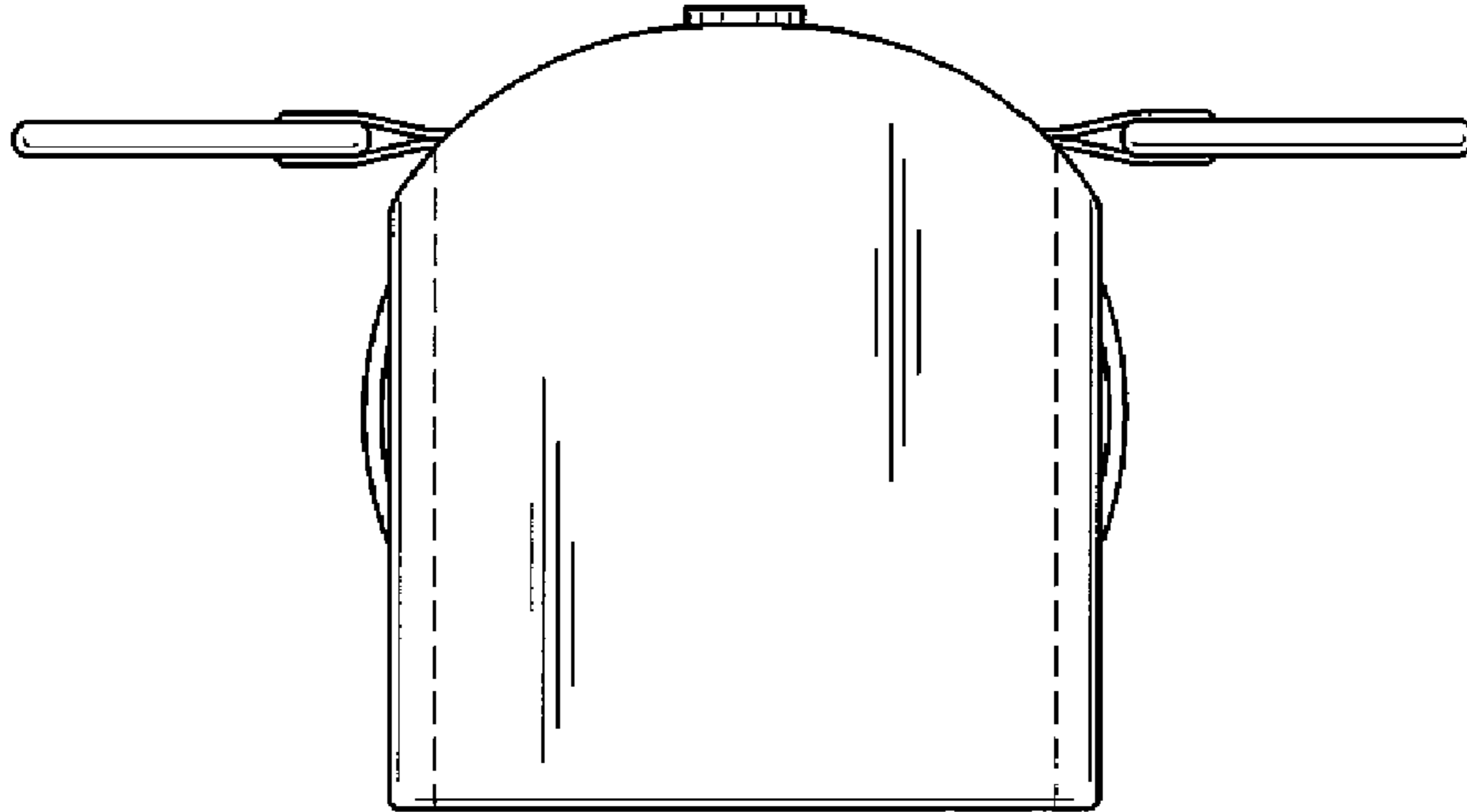


FIG. 5

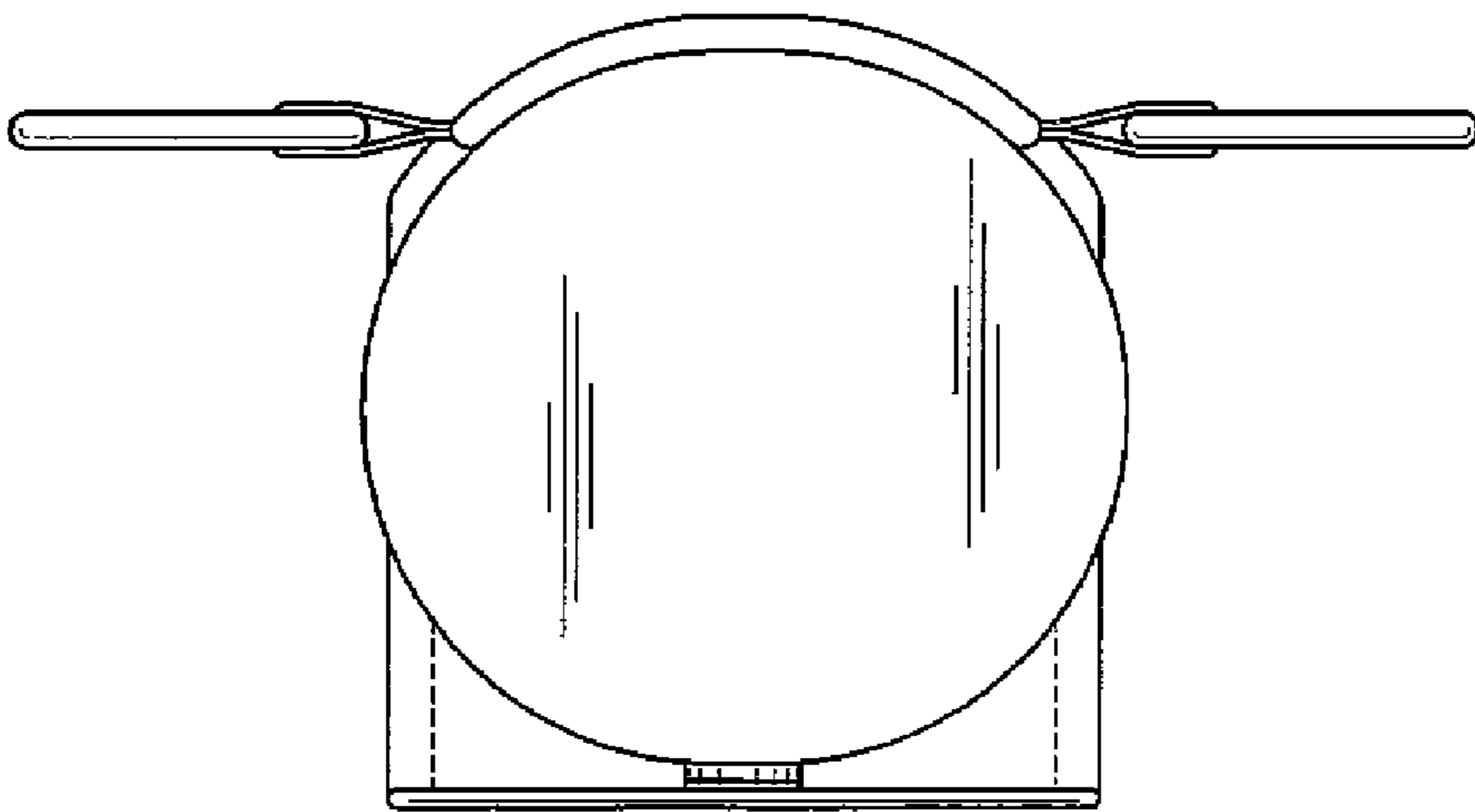


FIG. 6

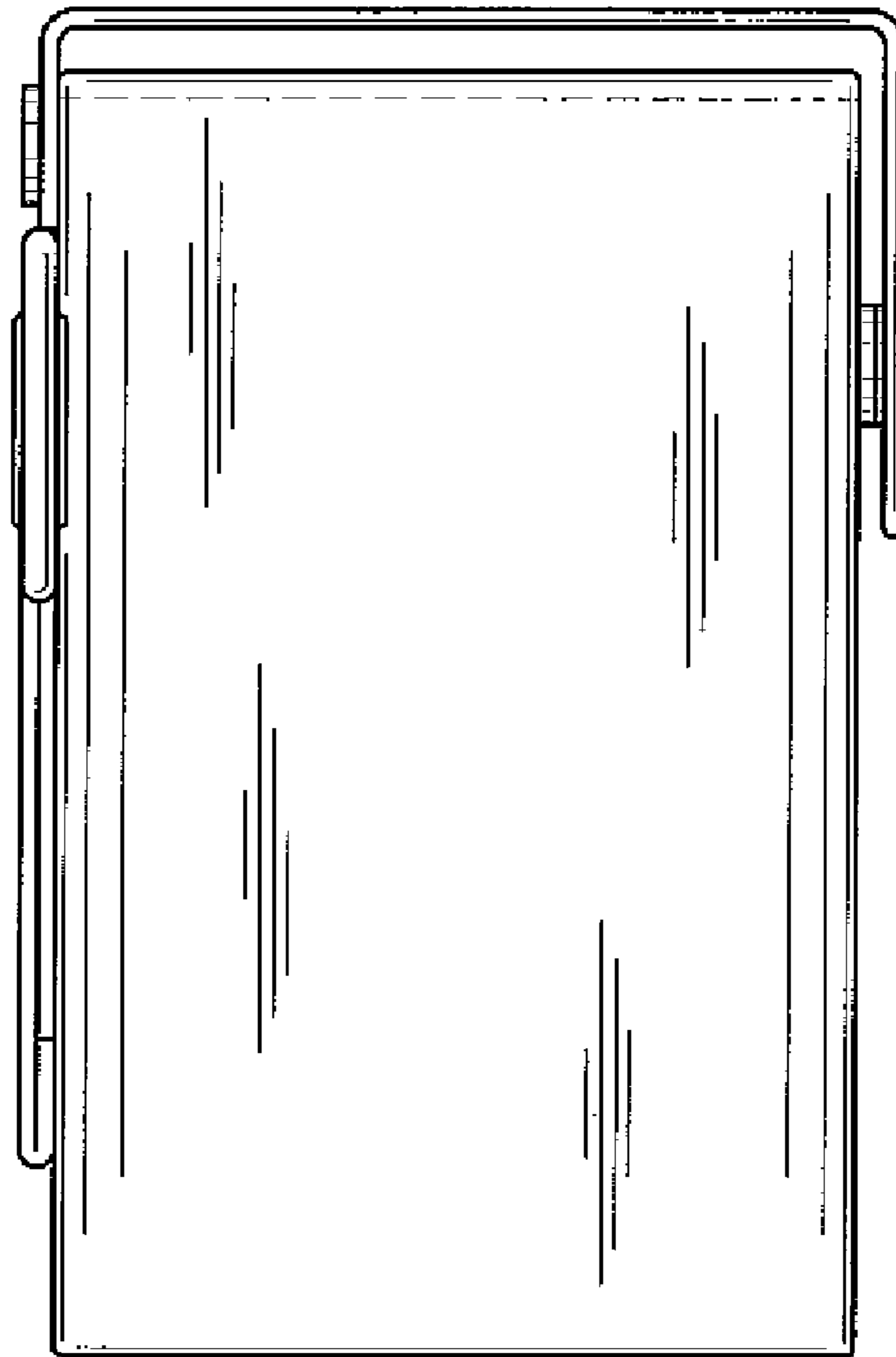


FIG. 7