



US00D630836S

(12) **United States Design Patent**
Powell

(10) **Patent No.:** **US D630,836 S**

(45) **Date of Patent:** **** Jan. 18, 2011**

(54) **STRATEGIC NERVE ANTIDOTE POUCH**

(75) **Inventor:** **Joshua Powell**, Canyon Lake, TX (US)

(73) **Assignee:** **J. Powell Enterprises, LLC**, Canyon Lake, TX (US)

(**) **Term:** **14 Years**

(21) **Appl. No.:** **29/349,866**

(22) **Filed:** **May 12, 2010**

(51) **LOC (9) Cl.** **03-01**

(52) **U.S. Cl.** **D3/203.1**

(58) **Field of Classification Search** D3/201–205,
D3/215, 221, 224, 226, 228, 230; 224/219,
224/222, 267, 269, 901, 904, 674–678; 206/530–538,
206/473, 479, 570, 803; D24/130, 226
See application file for complete search history.

(56) **References Cited**

U.S. PATENT DOCUMENTS

505,222	A	*	9/1893	Hoff	206/479
D268,785	S	*	4/1983	Sommers	D24/226
D283,546	S	*	4/1986	Nathan	D3/203.7
D345,861	S	*	4/1994	Knox et al.	D3/203.7
D386,002	S	*	11/1997	Hinkle	D3/203.6

D410,331	S	*	6/1999	Hamilton	D3/221
D484,304	S	*	12/2003	Sanderson	D3/203.1
D509,352	S	*	9/2005	Raven et al.	D3/203.1
D526,118	S	*	8/2006	Foote	D3/203.1
D551,439	S	*	9/2007	Smetham et al.	D3/203.1

* cited by examiner

Primary Examiner—Catherine R Oliver

(74) *Attorney, Agent, or Firm*—Christopher L. Makay

(57) **CLAIM**

The ornamental design for a strategic nerve antidote pouch, as shown and described.

DESCRIPTION

FIG. 1 is a perspective view of the strategic nerve antidote pouch according to my new design;

FIG. 2 is a top view thereof;

FIG. 3 is a front view thereof;

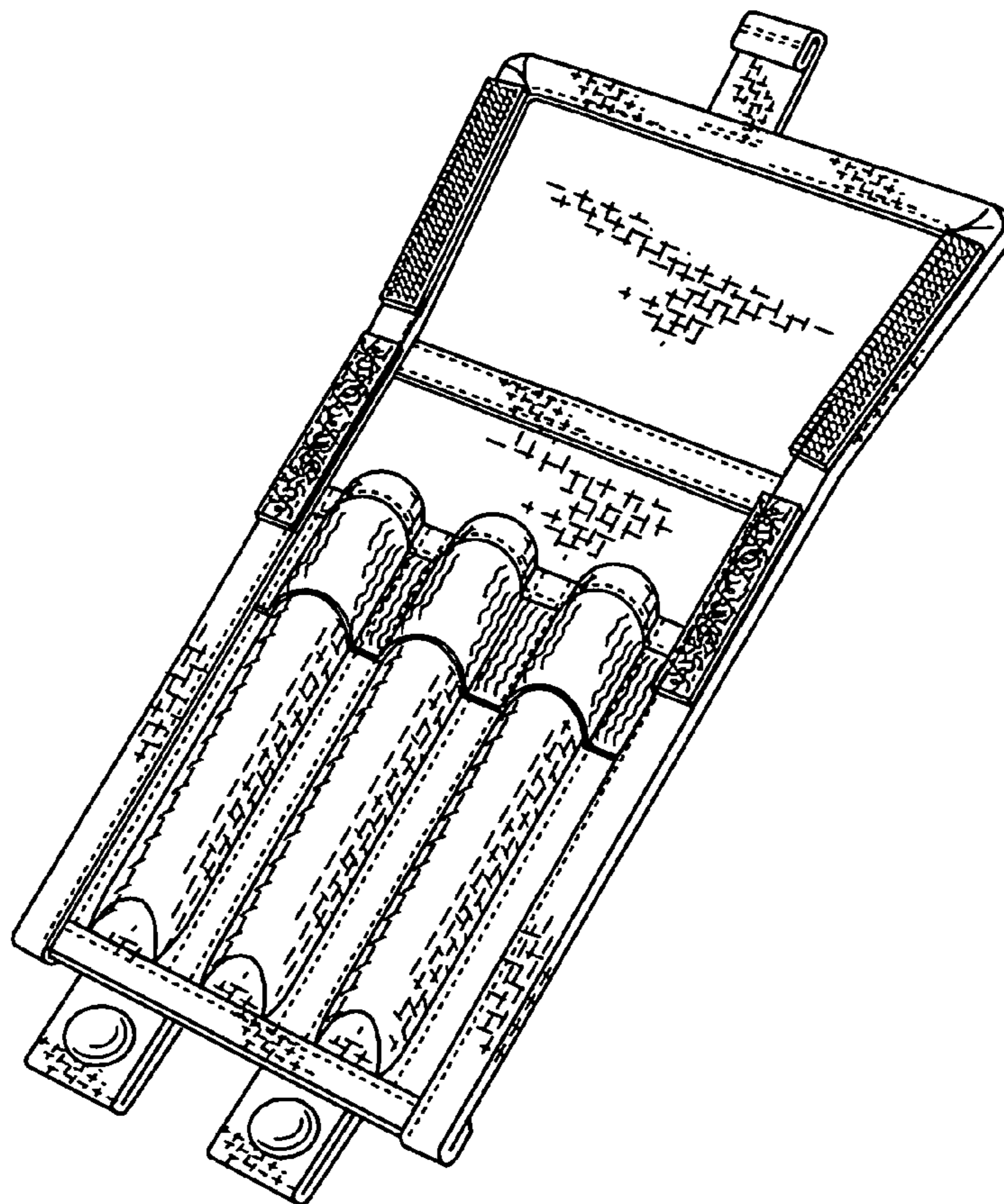
FIG. 4 is a right side view thereof;

FIG. 5 is a rear view thereof;

FIG. 6 is a left side view thereof; and,

FIG. 7 is a bottom view thereof.

1 Claim, 3 Drawing Sheets



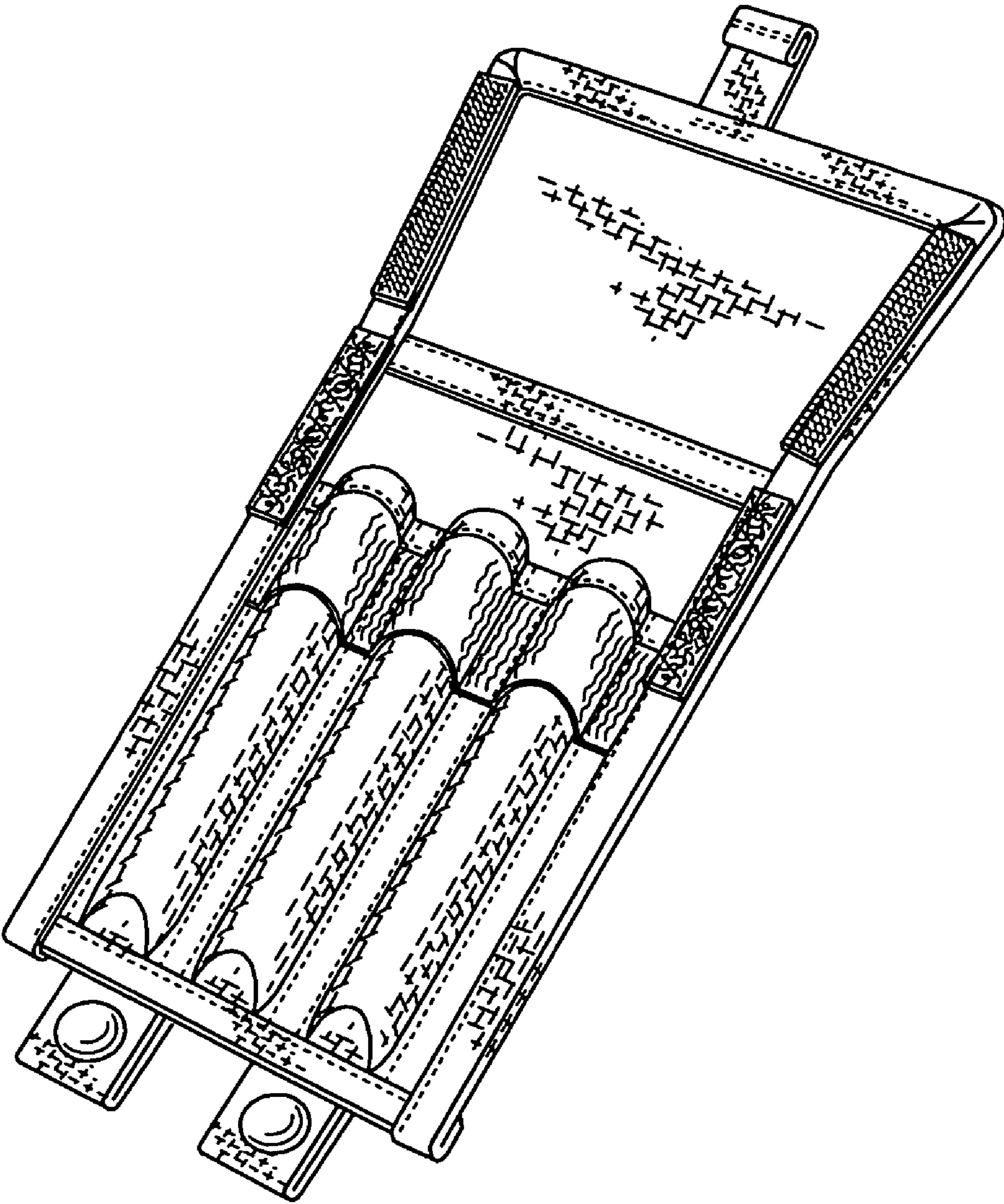


Fig. 1

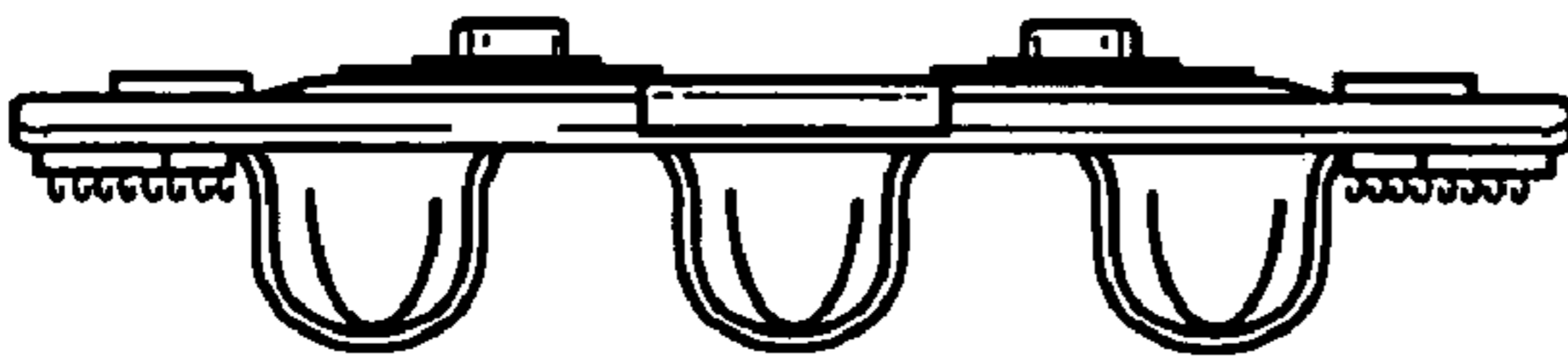


Fig. 2

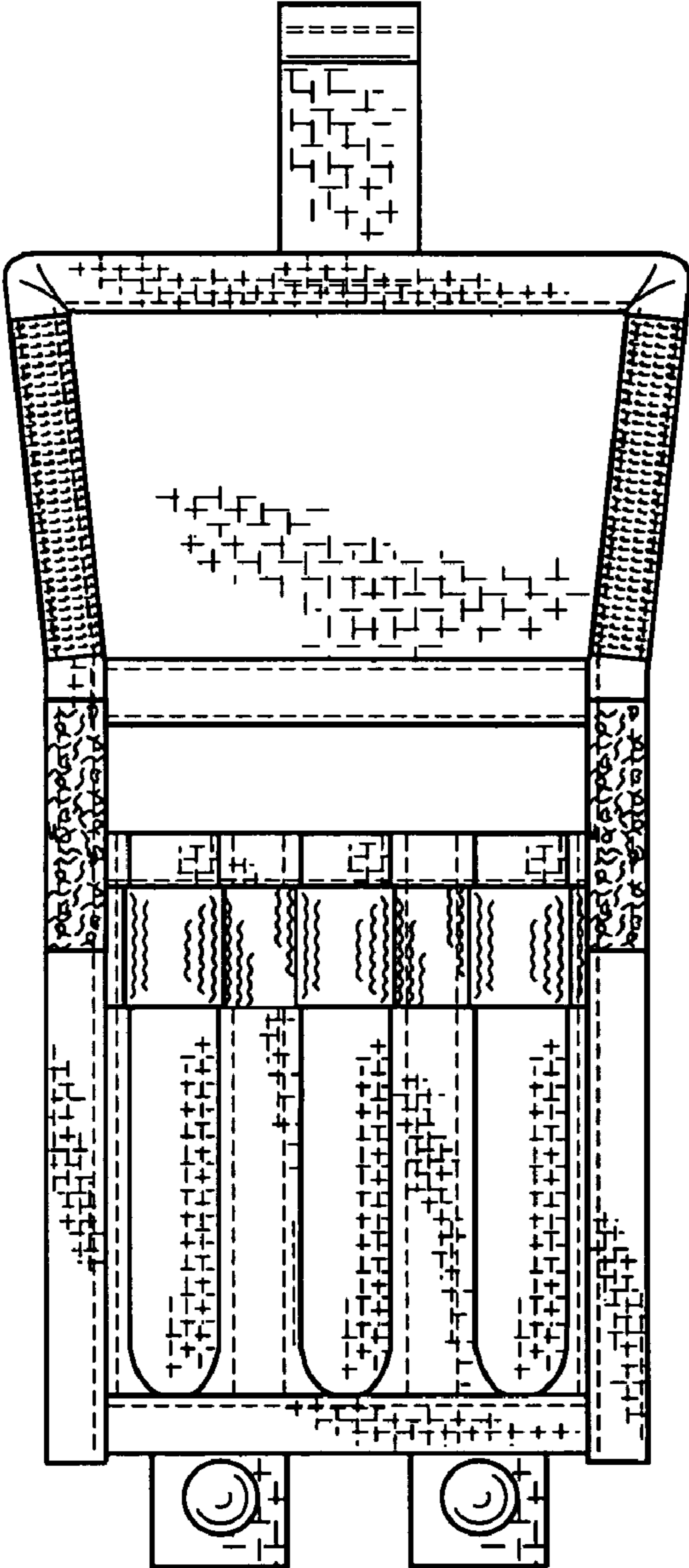


Fig. 3

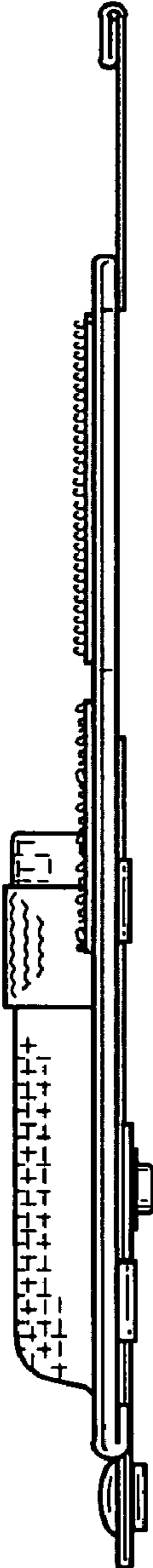


Fig. 4

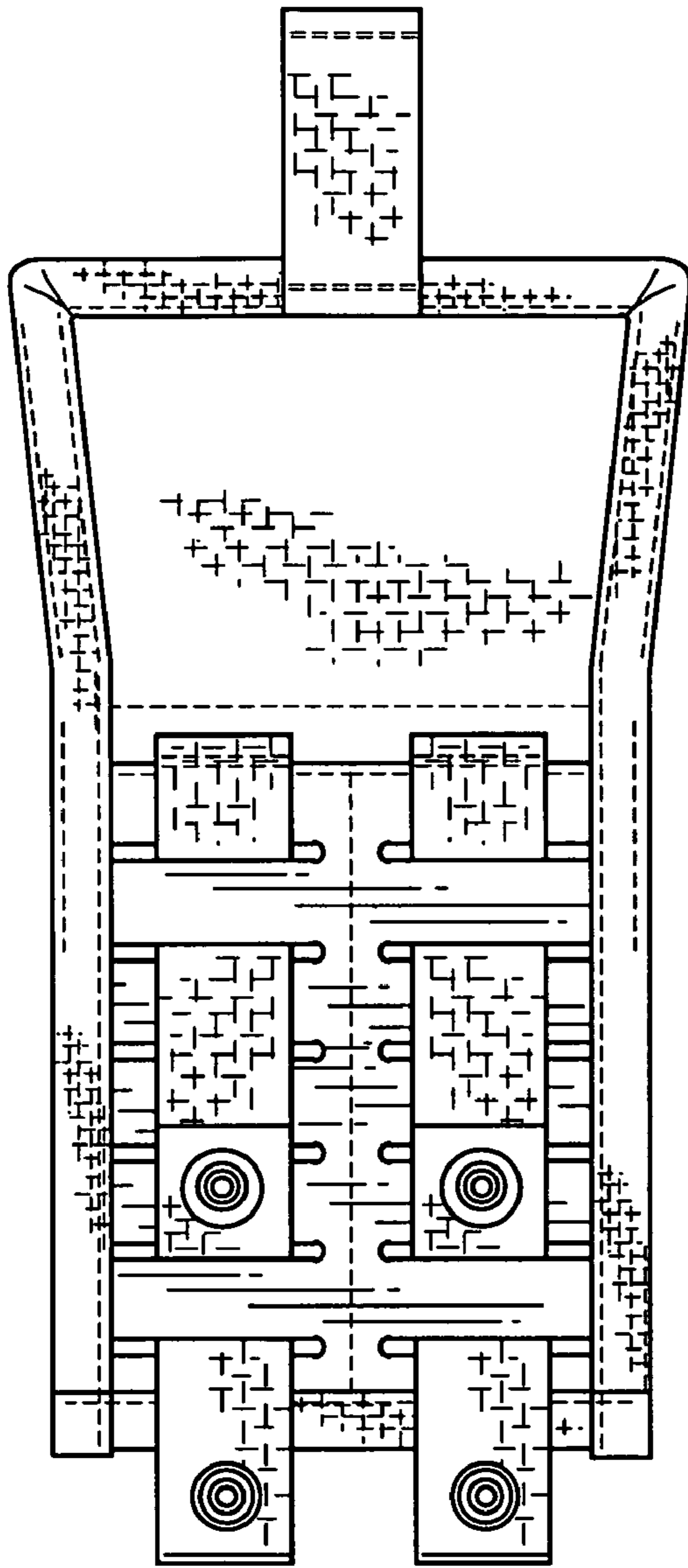


Fig. 5

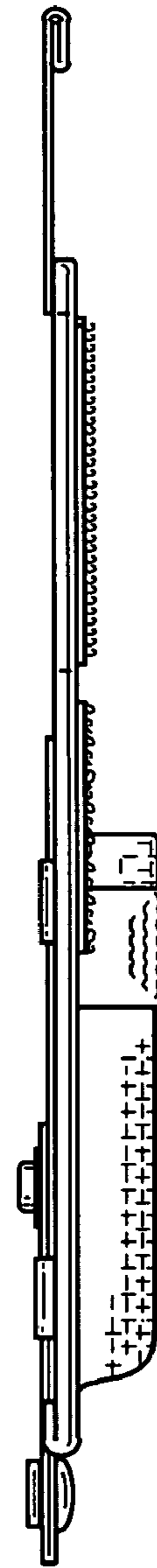


Fig. 6

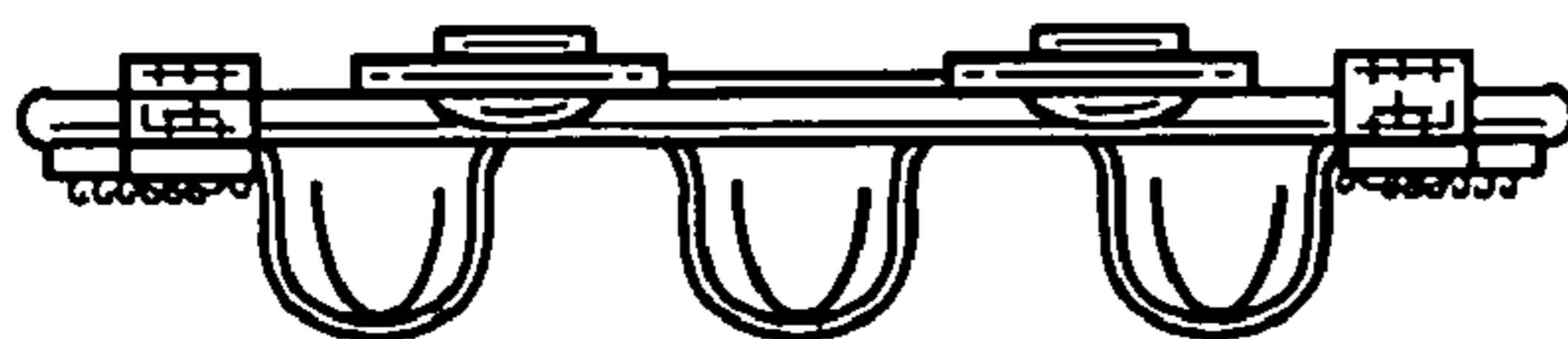


Fig. 7