



US00D630835S

(12) **United States Design Patent**
Easley et al.

(10) **Patent No.:** **US D630,835 S**
(45) **Date of Patent:** **** Jan. 18, 2011**

(54) **EARPLUGS CONTAINER**

(76) Inventors: **Charles Houston Easley**, 413 Catspaw Pl., Cane Ridge, TN (US) 37013; **Jeffery Reece Thomas**, 222 Nathan Dr., Goodlettsville, TN (US) 37072; **Troy Jerome Gaillard**, 5016 Sunshine Dr., Antioch, TN (US) 37013

(**) Term: **14 Years**

(21) Appl. No.: **29/349,754**

(22) Filed: **Apr. 30, 2010**

(51) **LOC (9) Cl.** **03-01**

(52) **U.S. Cl.** **D3/203.1; D3/215**

(58) **Field of Classification Search** D3/201–205, D3/218, 215, 294; D6/515; 206/221, 229, 206/37–38, 363; 221/2, 186, 192
See application file for complete search history.

(56) **References Cited**

U.S. PATENT DOCUMENTS

4,321,998 A * 3/1982 Van de Walker et al. 206/229
D333,560 S * 3/1993 Miyashita et al. D3/294
D333,917 S * 3/1993 Daido et al. D3/294
D474,886 S * 5/2003 Fleming et al. D3/203.1
D524,037 S * 7/2006 Van Horn et al. D3/203.1

D525,025 S * 7/2006 Van Horn D3/203.1
D569,608 S * 5/2008 Rowe D3/203.1
D612,595 S * 3/2010 McCurdy D3/218
D614,048 S * 4/2010 Smith D3/203.1

* cited by examiner

Primary Examiner—Catherine R Oliver

(57) **CLAIM**

The ornamental design for a earplug container, as shown.

DESCRIPTION

FIG. 1 is a front and right side perspective view of an earplug container showing our new design;

FIG. 2 is a front view thereof.

FIG. 3 is a rear view thereof;

FIG. 4 is a left side view thereof.

FIG. 5 is a right side view thereof.

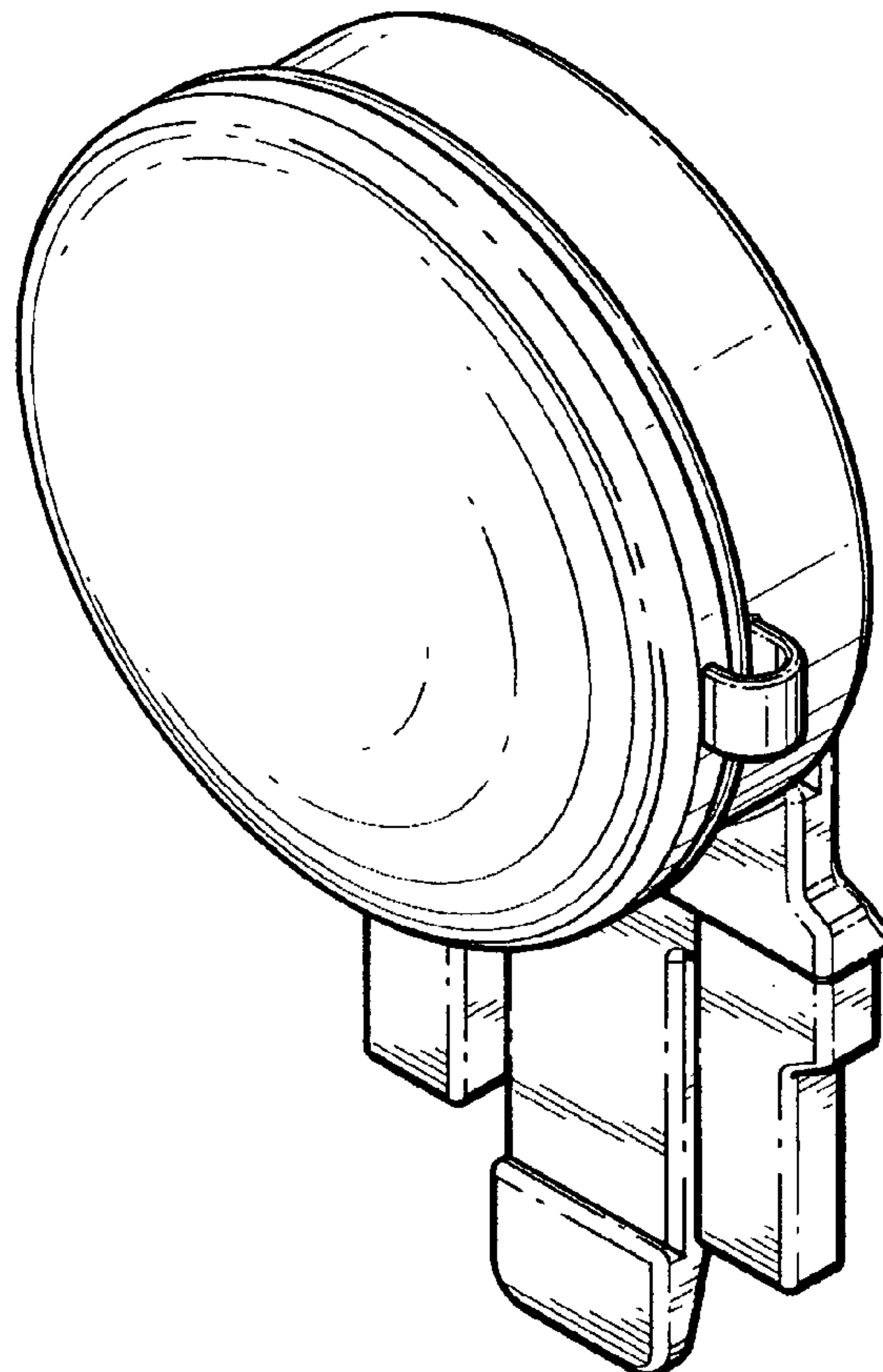
FIG. 6 is a top view thereof.

FIG. 7 is a bottom view thereof.

FIG. 8 is a rear perspective view thereof; and,

FIG. 9 is a perspective view of the design shown in use, with the broken line environment being for illustrative purposes only and forming no part of the claimed design.

1 Claim, 7 Drawing Sheets



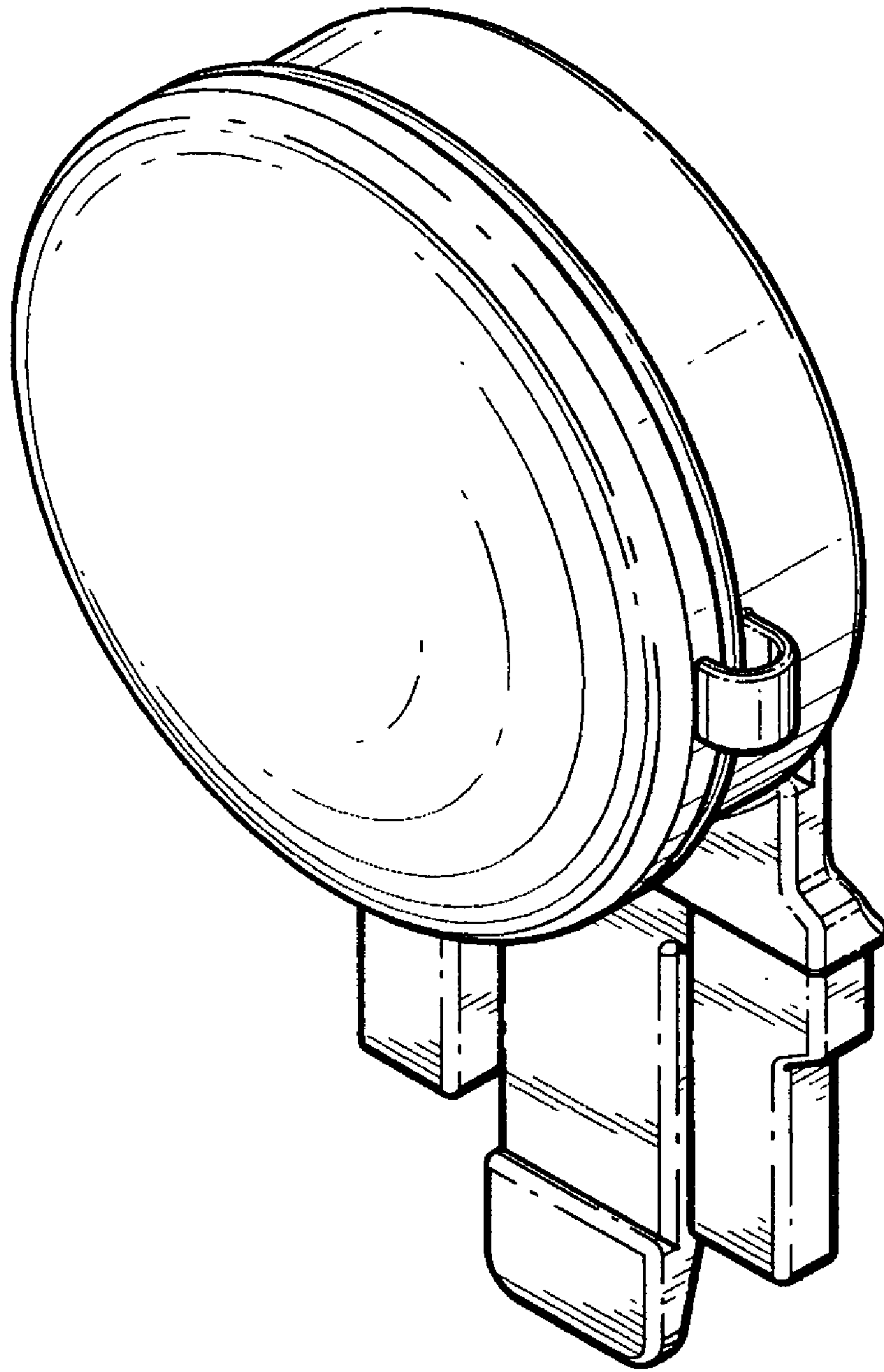


FIG. 1

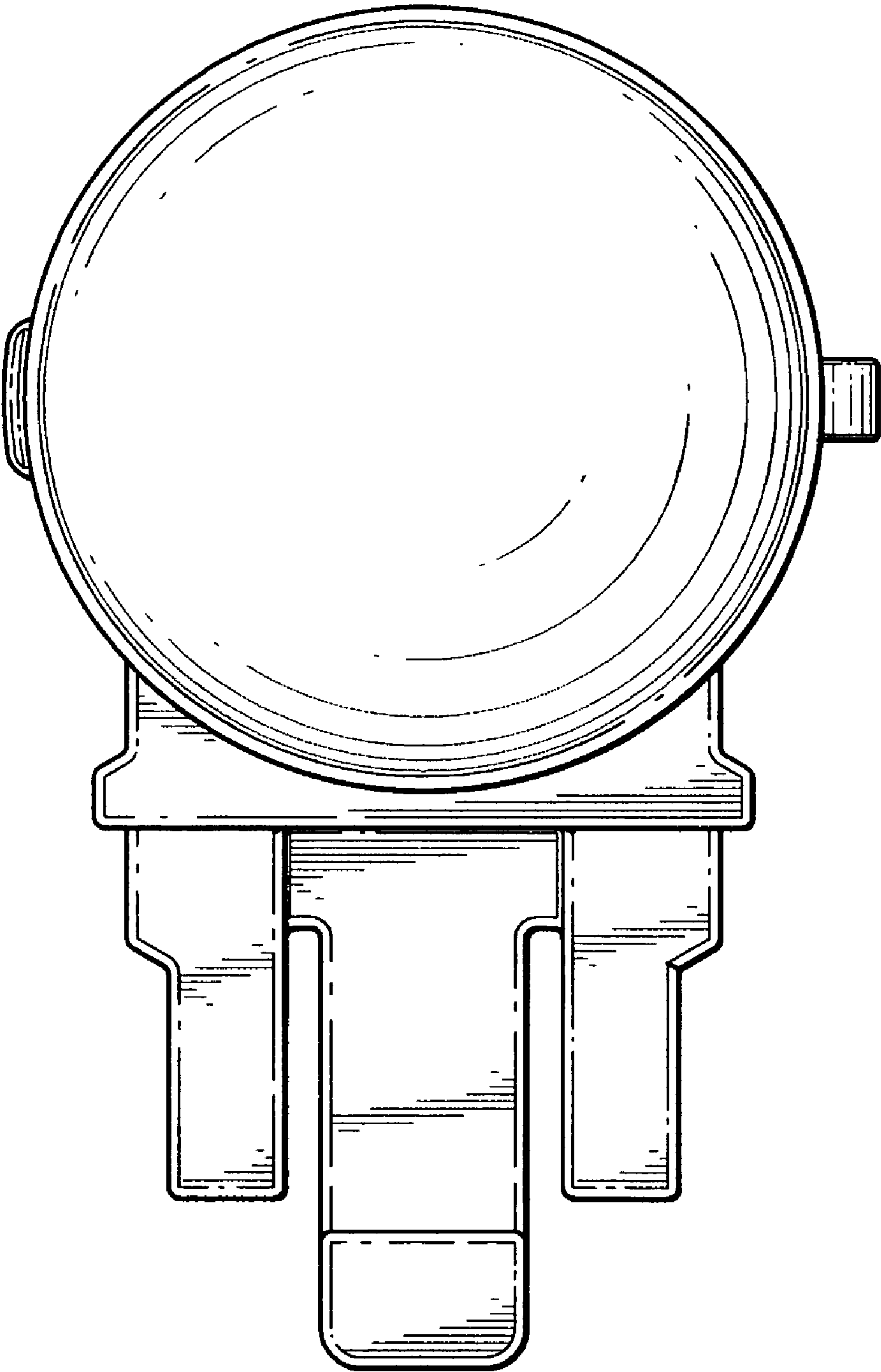


FIG. 2

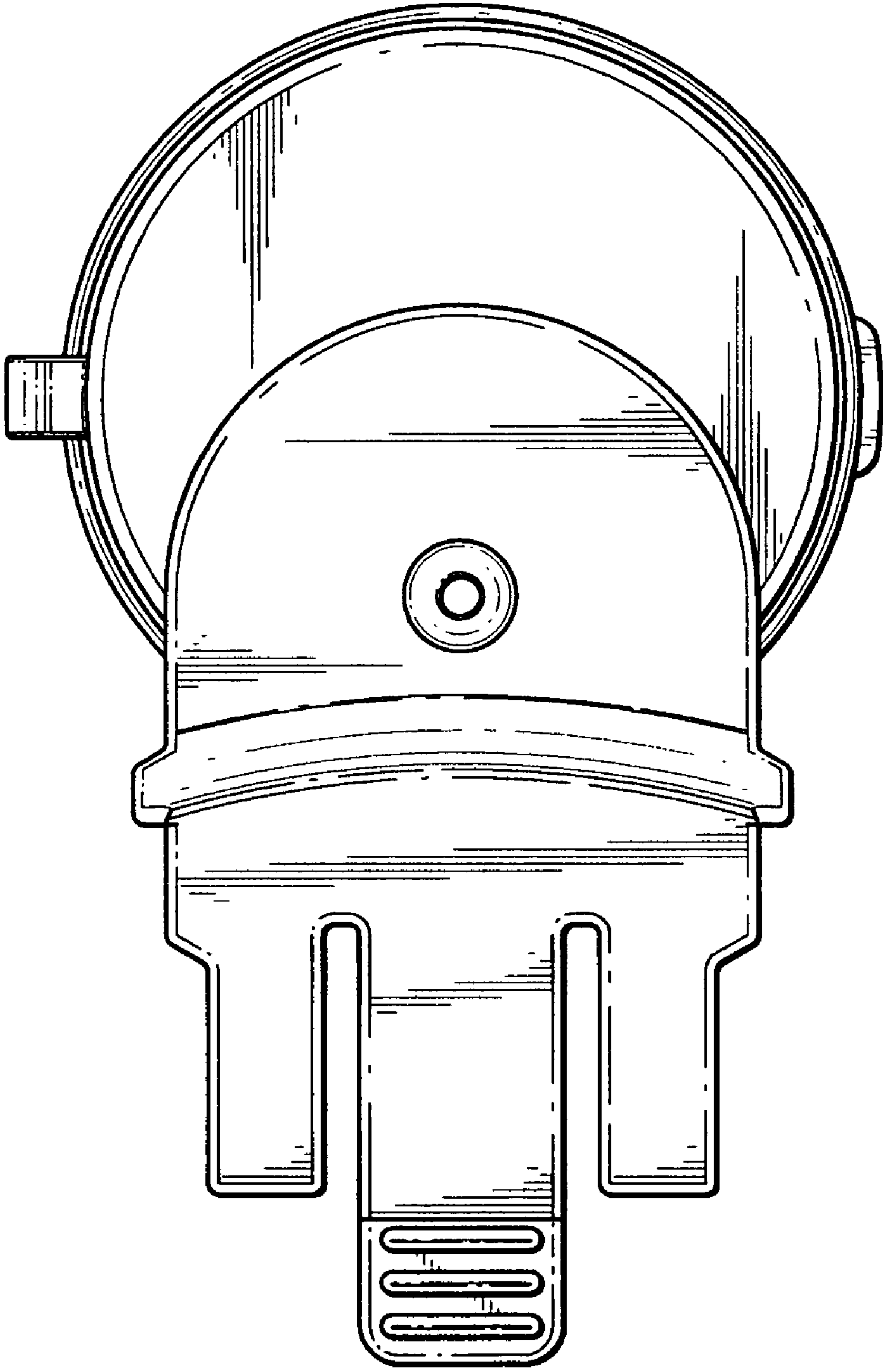


FIG. 3

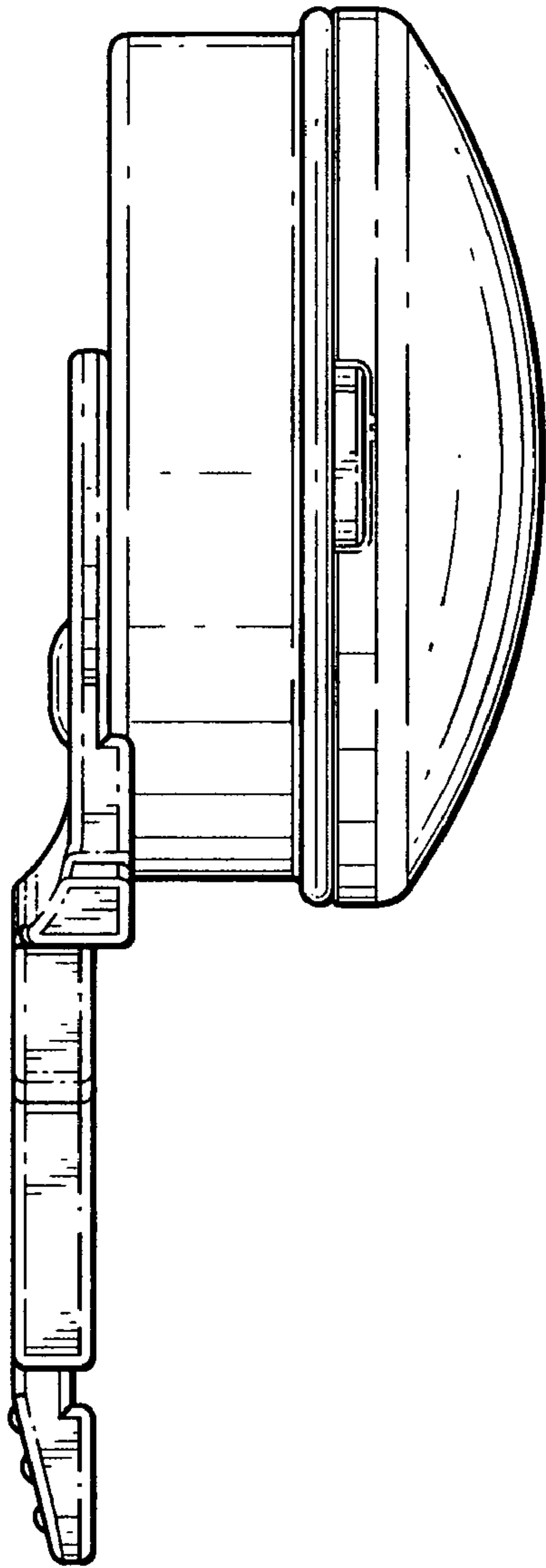


FIG. 4

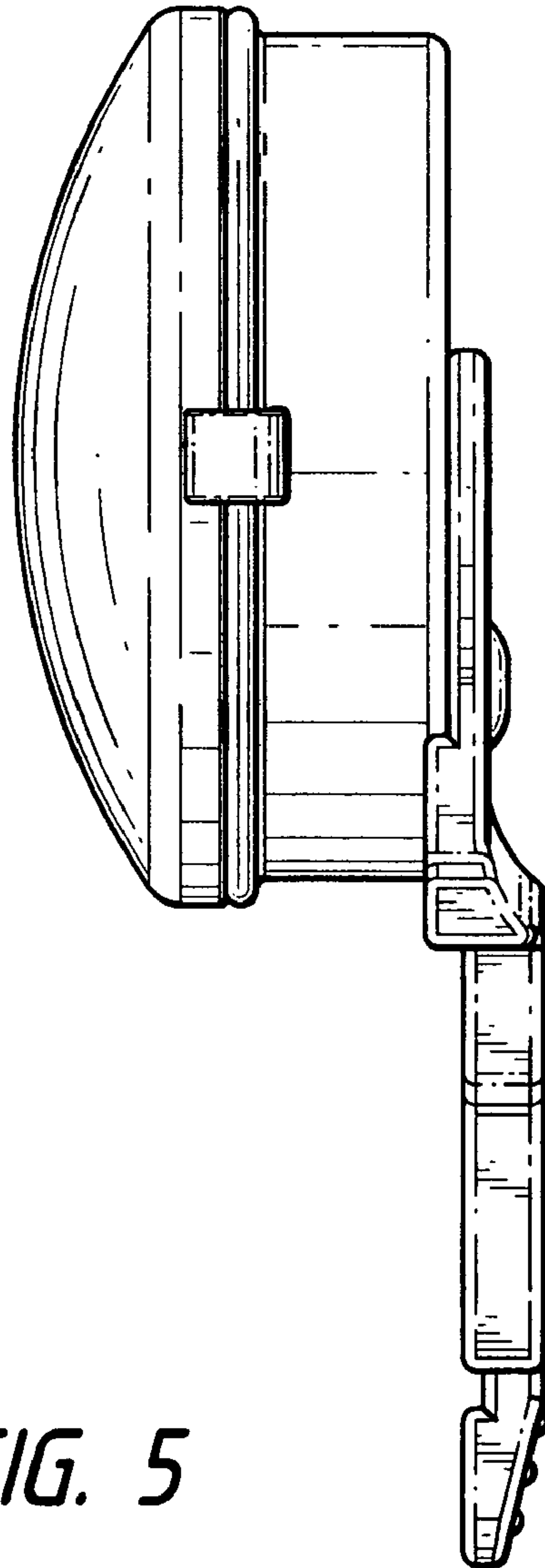


FIG. 5

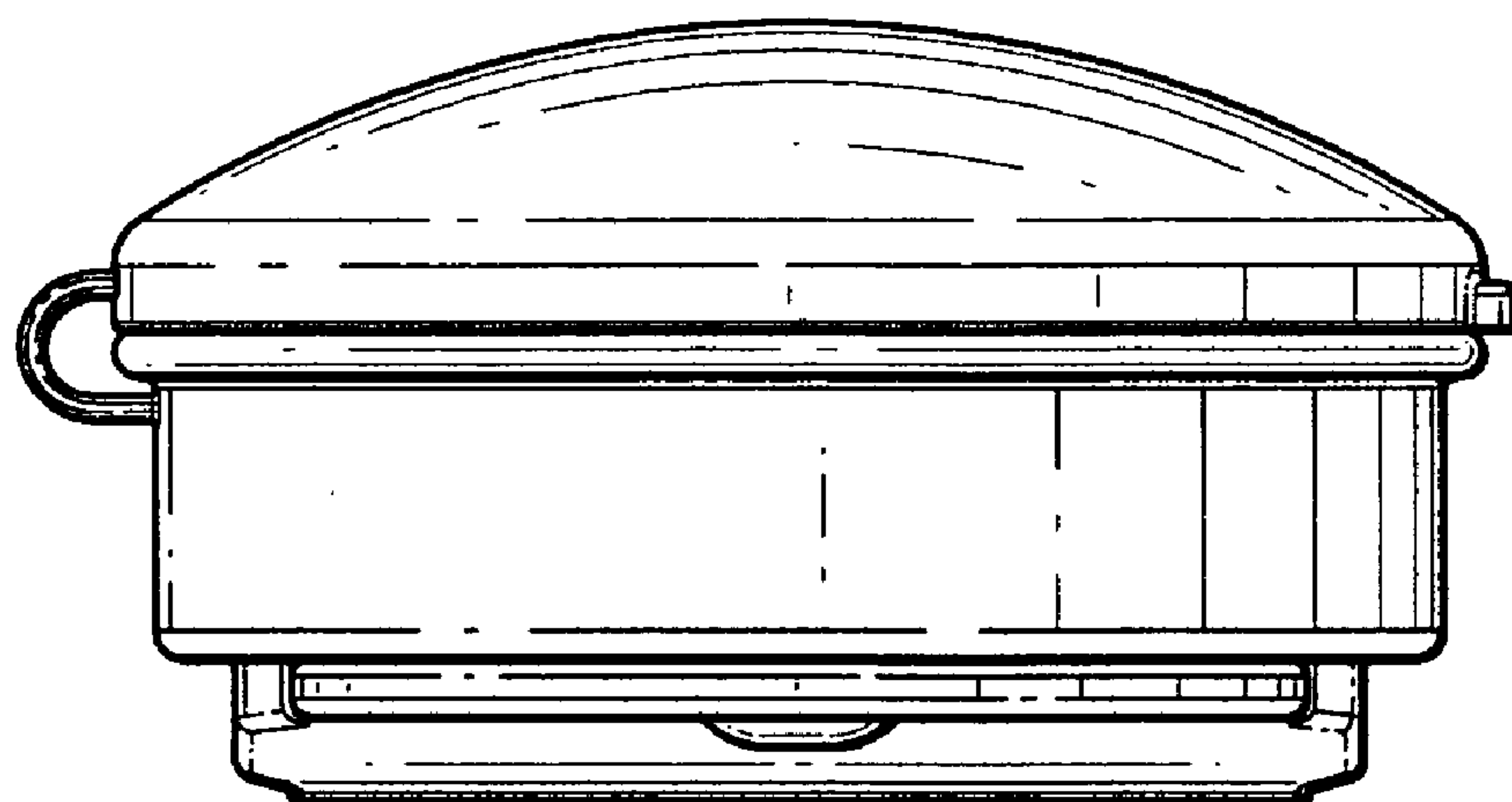


FIG. 6

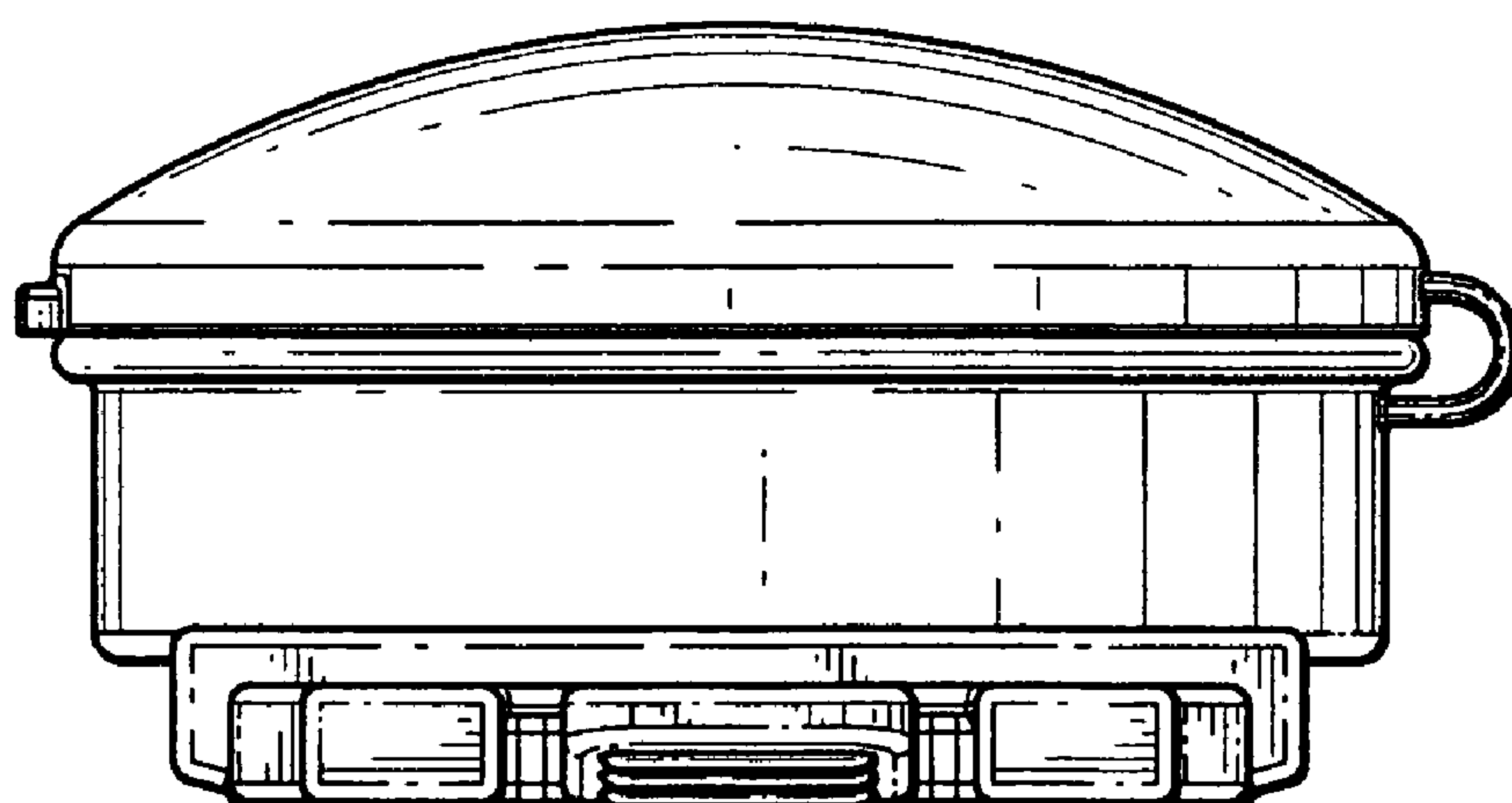


FIG. 7

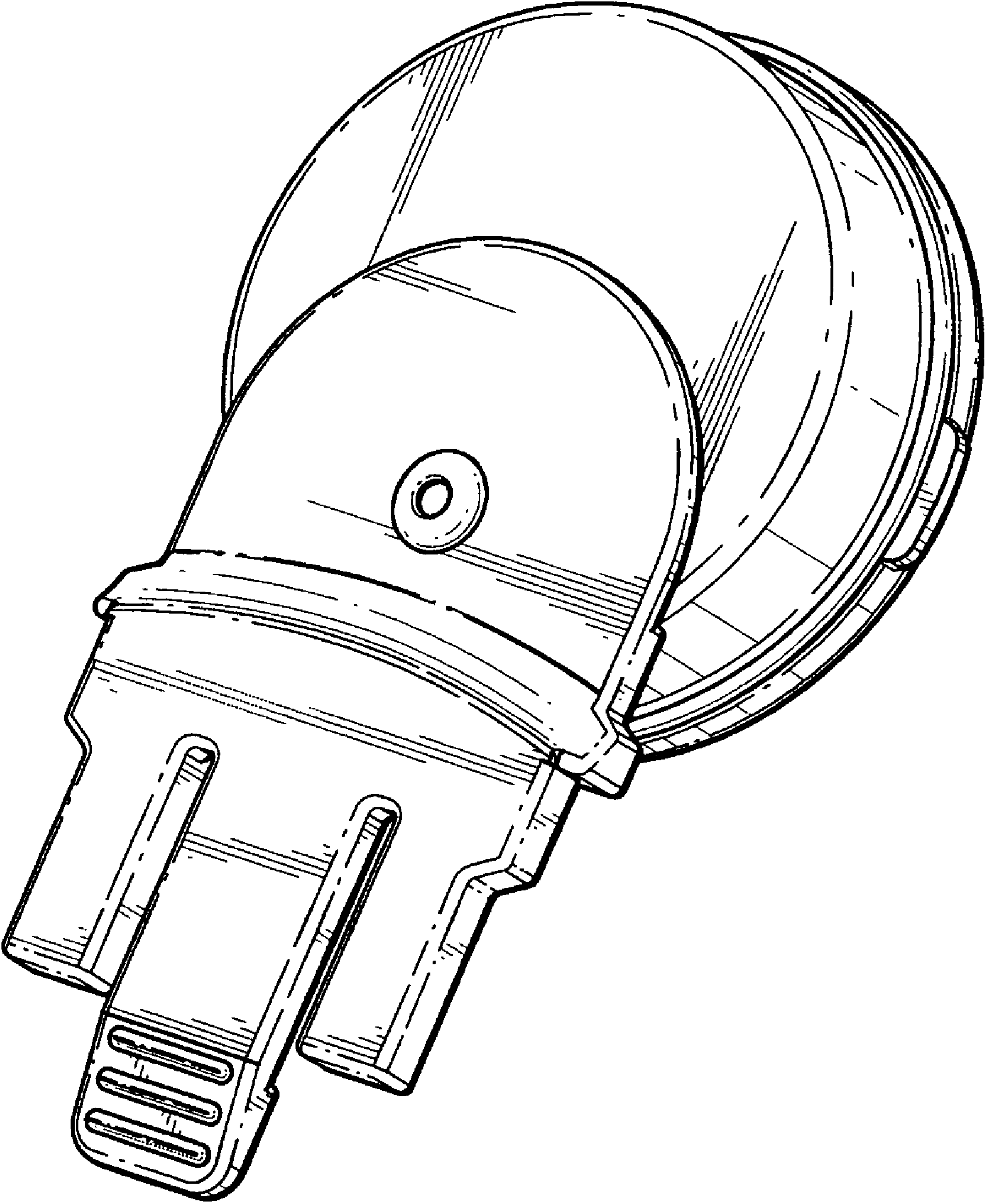


FIG. 8

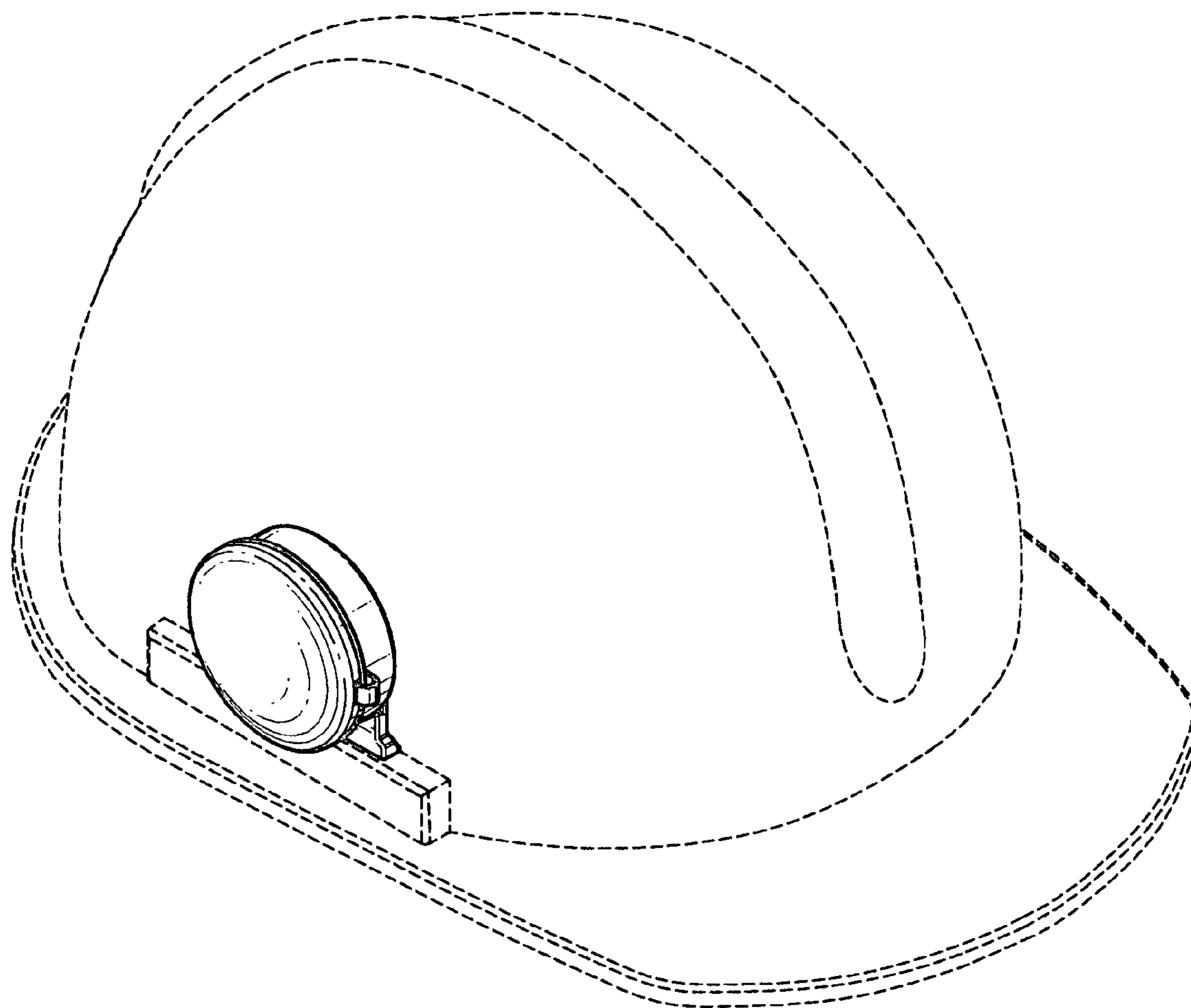


FIG. 9