



US00D630827S

(12) **United States Design Patent**  
**Mauck**

(10) **Patent No.:** **US D630,827 S**

(45) **Date of Patent:** **\*\* Jan. 18, 2011**

(54) **HEEL PROTECTOR**

(76) Inventor: **K. Joan Mauck**, 1005 NE. Moss Pt Rd.,  
Lee's Summit, MO (US) 64064

(\*\*) Term: **14 Years**

(21) Appl. No.: **29/355,162**

(22) Filed: **Feb. 3, 2010**

(51) **LOC (9) Cl.** ..... **02-99**

(52) **U.S. Cl.** ..... **D2/909; D2/976**

(58) **Field of Classification Search** ..... D2/896,  
D2/909, 910, 914, 915, 946, 965, 976; 36/72 B,  
36/72 R, 73, 71.5, 7.1 R, 58.6

See application file for complete search history.

(56) **References Cited**

U.S. PATENT DOCUMENTS

1,531,493	A *	3/1925	Maxon	.....	36/72 B
1,622,859	A *	3/1927	Christensen	.....	36/72 B
1,770,261	A *	7/1930	Barthes	.....	36/72 B
1,816,784	A *	7/1931	McDermott	.....	36/72 B
1,828,246	A *	10/1931	Destro	.....	36/72 B
1,830,912	A *	11/1931	Chaker	.....	36/72 B
1,945,420	A *	1/1934	Charles	.....	36/72 B
2,894,339	A *	7/1959	Shapiro	.....	36/72 B
2,988,830	A *	6/1961	Zacks	.....	36/72 B
3,025,617	A *	3/1962	Rizzonelli	.....	36/72 B
3,063,172	A *	11/1962	Beattie	.....	36/72 B
3,153,289	A *	10/1964	Martin	.....	36/72 B
3,187,446	A *	6/1965	Boldemann	.....	36/70 R
3,217,430	A *	11/1965	Novick	.....	36/72 R
3,239,953	A *	3/1966	Norton	.....	36/72 B
D283,751	S *	5/1986	Haber	.....	D2/915
D293,042	S *	12/1987	Martin	.....	D2/915
D296,720	S *	7/1988	Martin	.....	D2/915
4,756,097	A *	7/1988	Sanders	.....	36/72 B
D298,881	S *	12/1988	Horton	.....	D2/915
D305,275	S *	1/1990	Kemna et al.	.....	D2/915

D305,277	S *	1/1990	Kemna et al.	.....	D2/915
D307,071	S *	4/1990	Kemna et al.	.....	D2/915
D318,560	S *	7/1991	Fitzpatrick et al.	.....	D2/915

\* cited by examiner

*Primary Examiner*—Robert M Spear

*Assistant Examiner*—Rashida C McCoy

(74) *Attorney, Agent, or Firm*—Kutak Rock LLP; Bryan P. Stanley

(57) **CLAIM**

The ornamental design for a heel protector, as shown and described.

**DESCRIPTION**

FIG. 1 is a rear view of a heel protector, showing new design;

FIG. 2 is an inside view thereof;

FIG. 3 is a side view thereof, the opposing side being a mirror image thereof;

FIG. 4 is a top view thereof;

FIG. 5 is a bottom view thereof;

FIG. 6 is an inside perspective view thereof;

FIG. 7 is a perspective view of the heel protector of FIG. 1 in use condition with a high heel shoe;

FIG. 8 is a rear perspective view thereof;

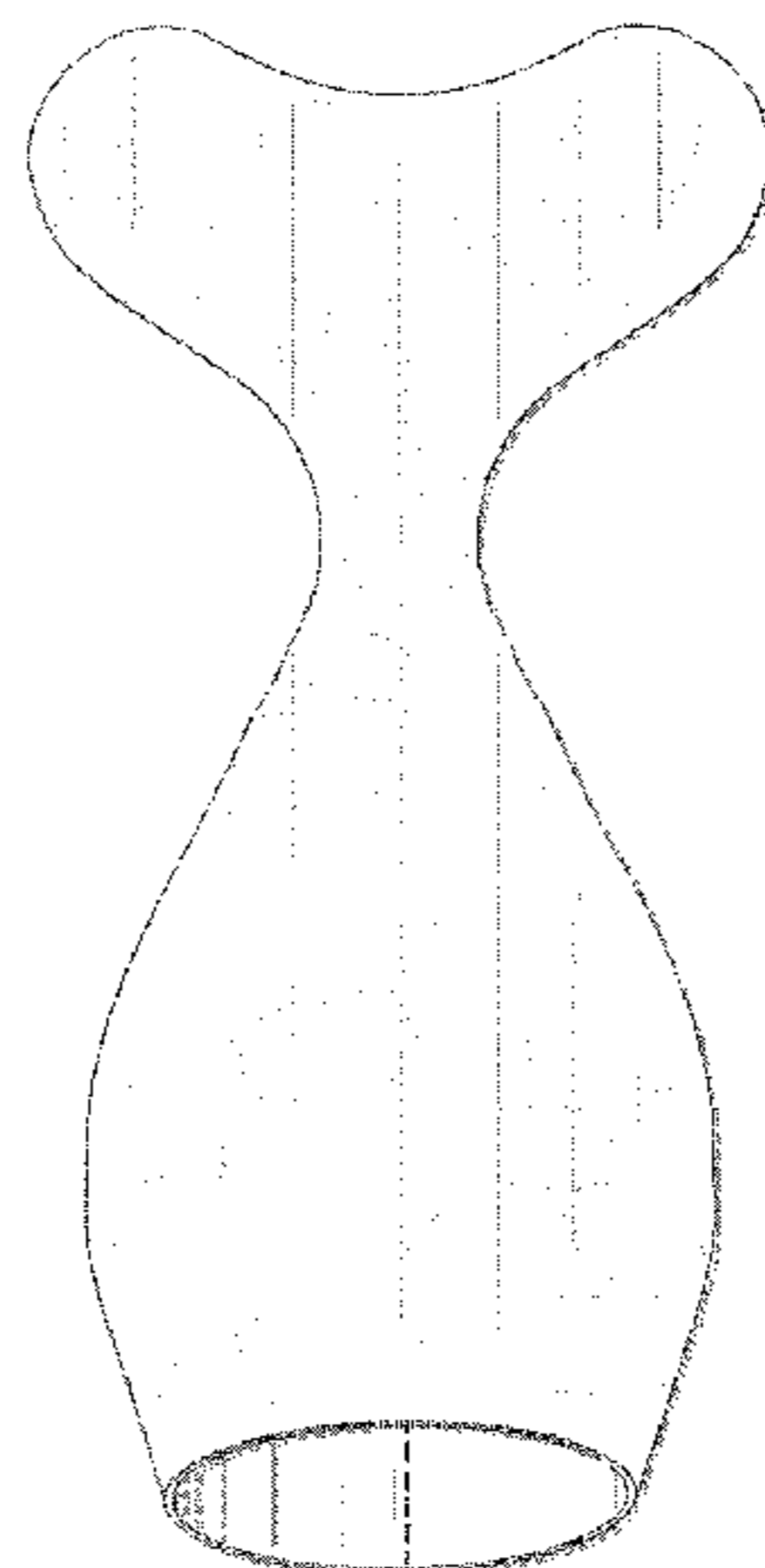
FIG. 9 is a rear view of the heel protector of FIG. 1 in use condition with a low heel shoe;

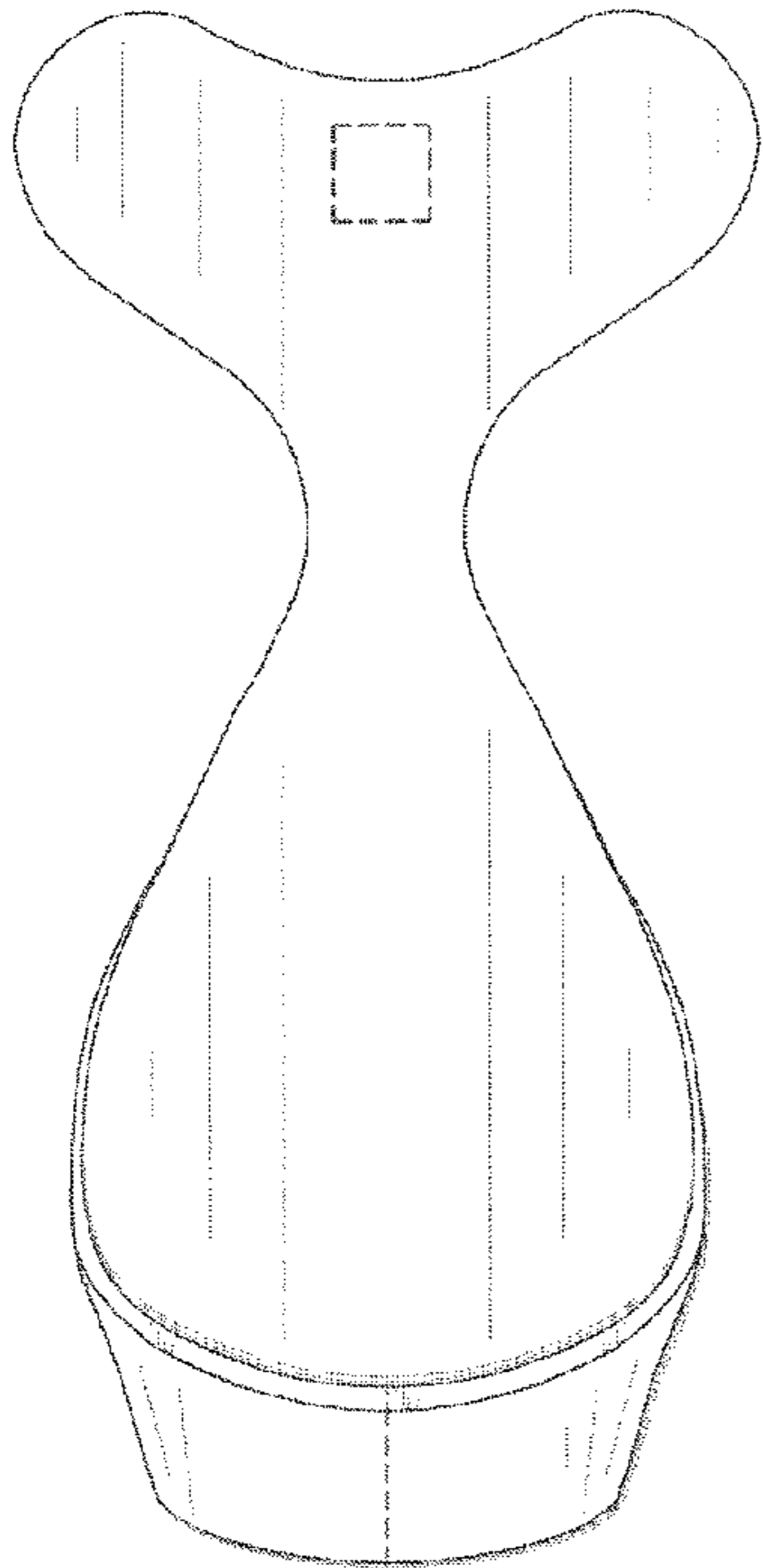
FIG. 10 is a side view thereof; and,

FIG. 11 is a side view of the heel protector in use condition with a high heel shoe.

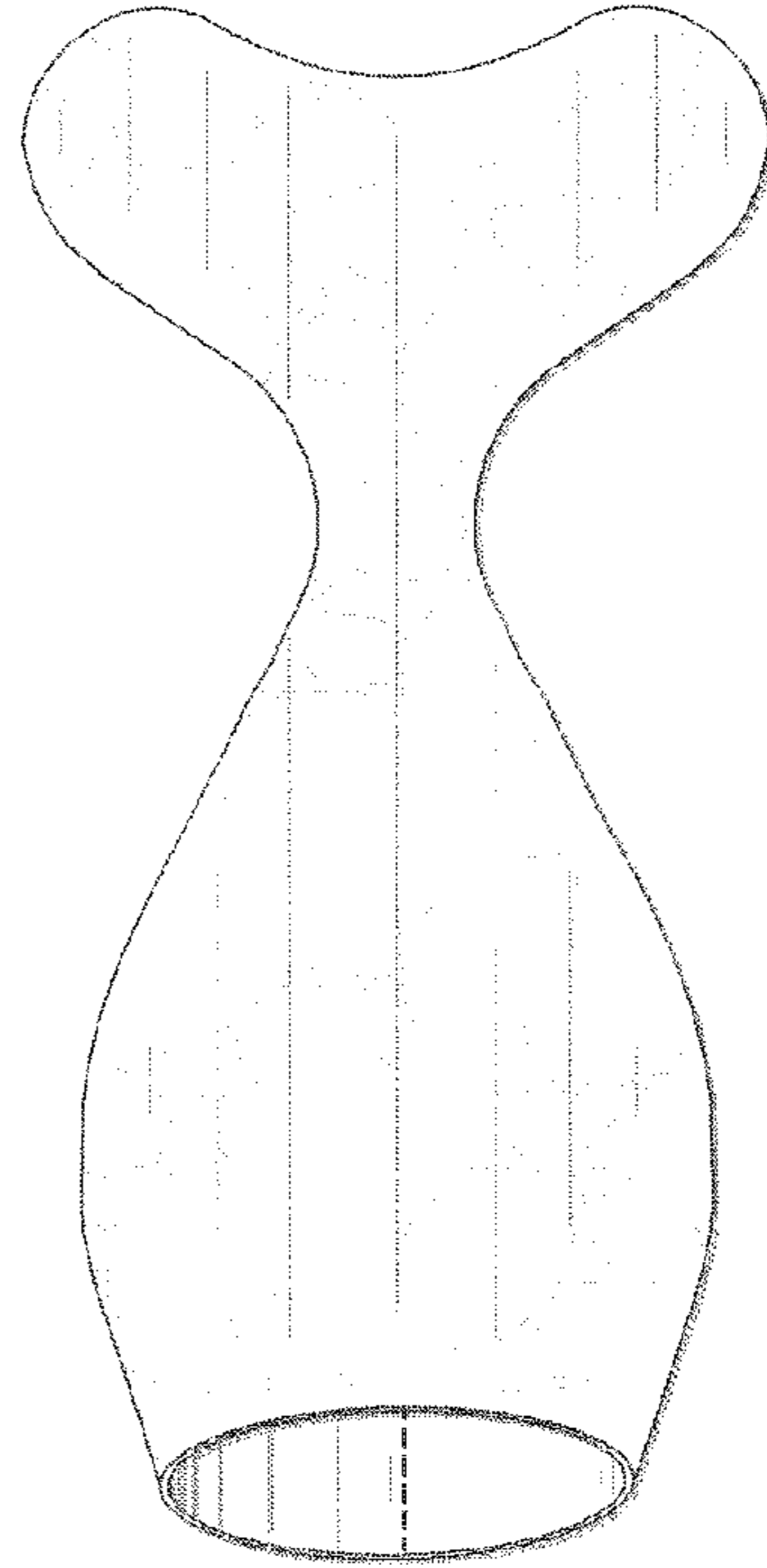
The broken line showing of a pattern, low heel, and high heel shoe illustrates environmental structure and forms no part of the claimed design.

**1 Claim, 2 Drawing Sheets**

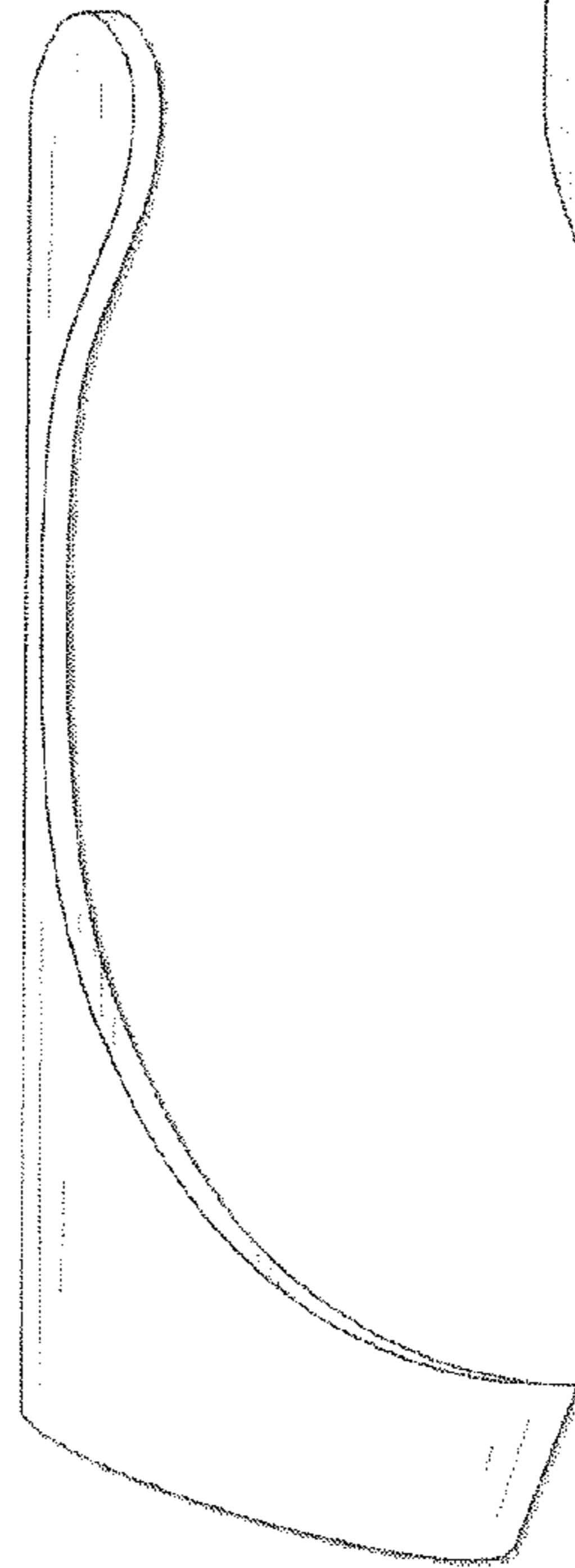




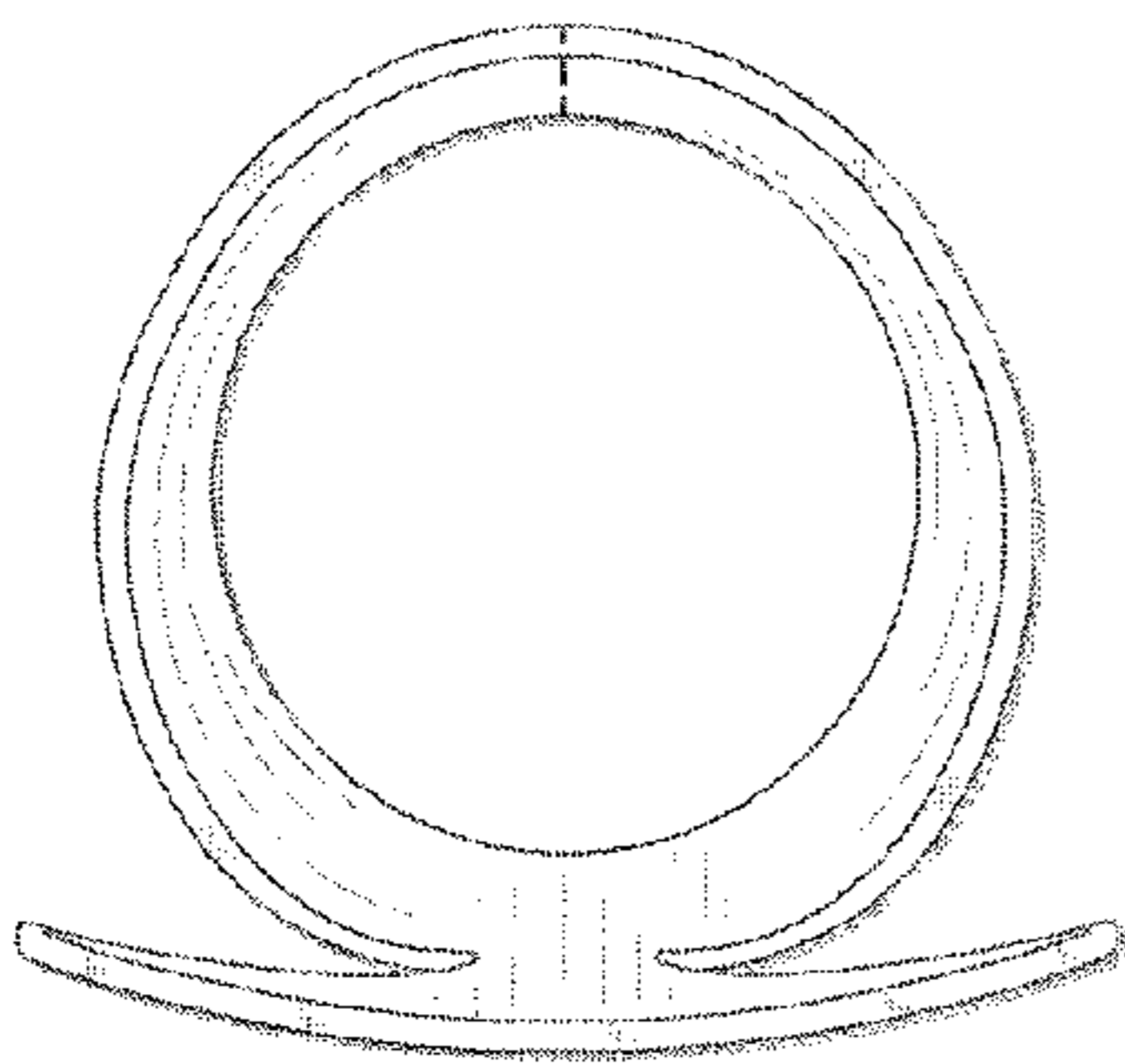
*Fig. 2.*



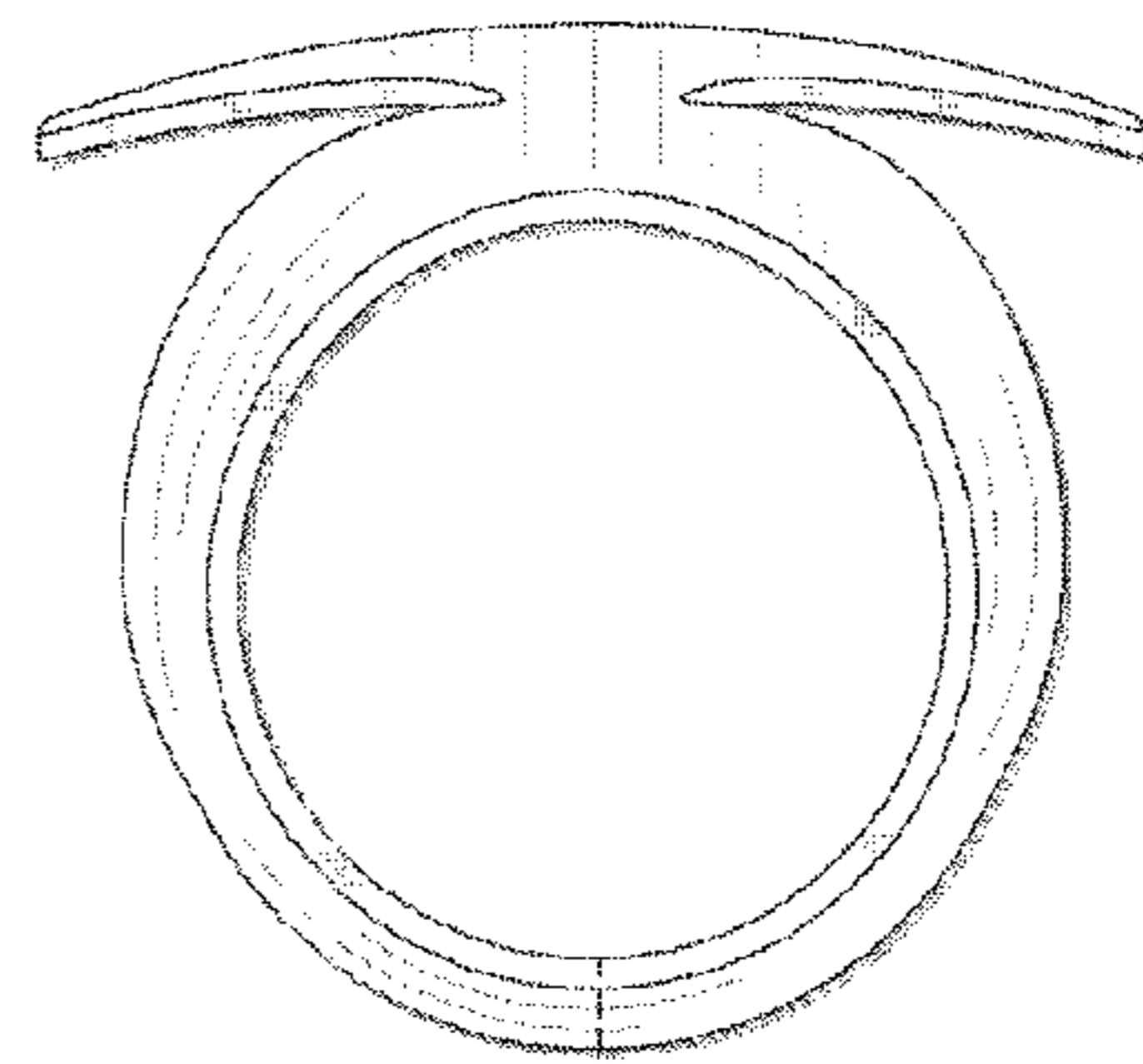
*Fig. 1.*



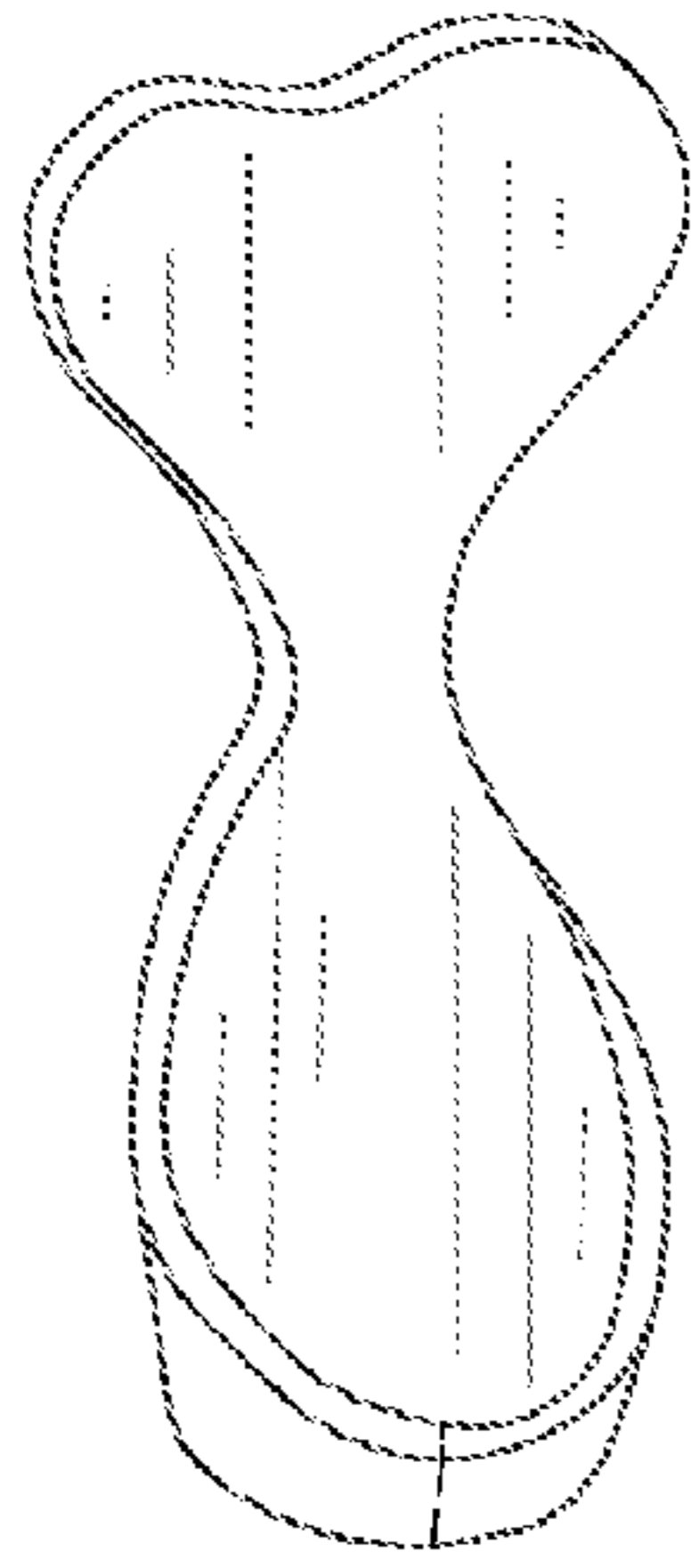
*Fig. 3.*



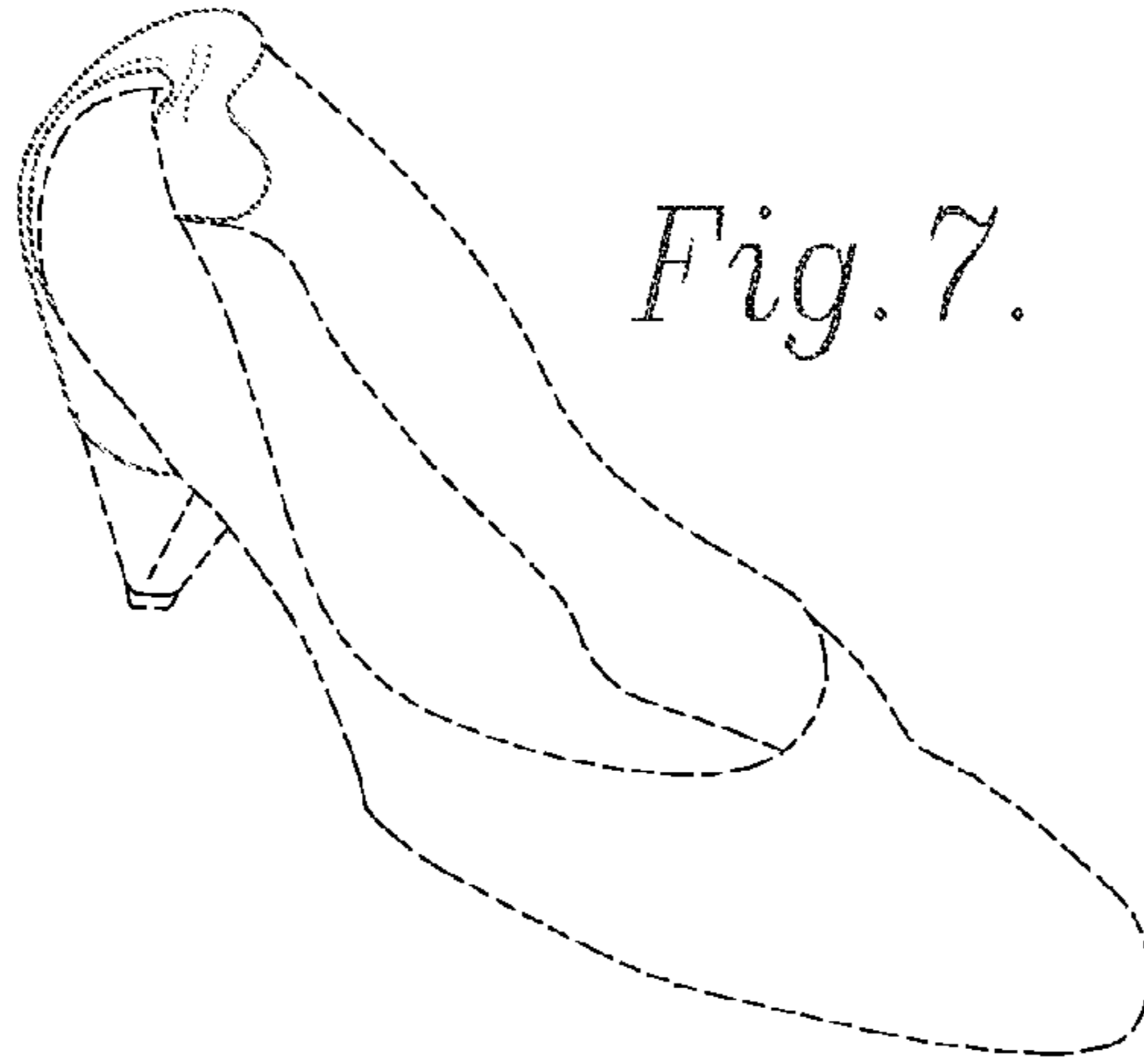
*Fig. 4.*



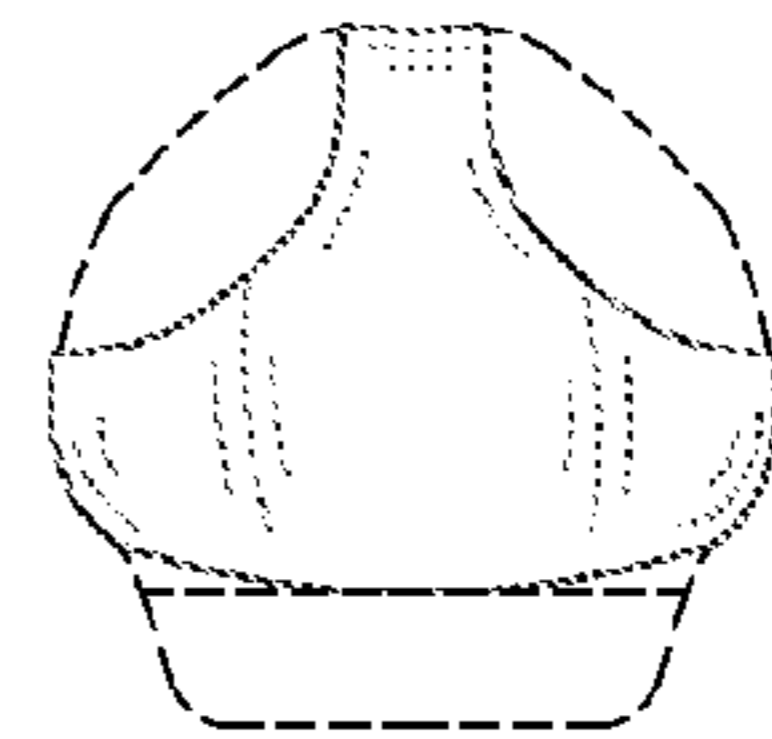
*Fig. 5.*



*Fig. 6.*

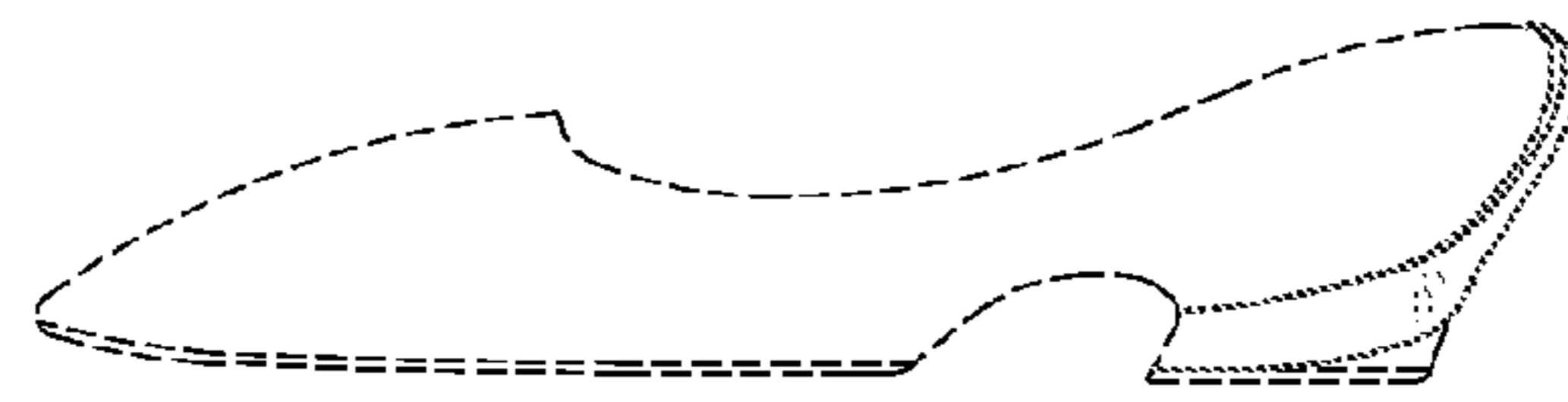
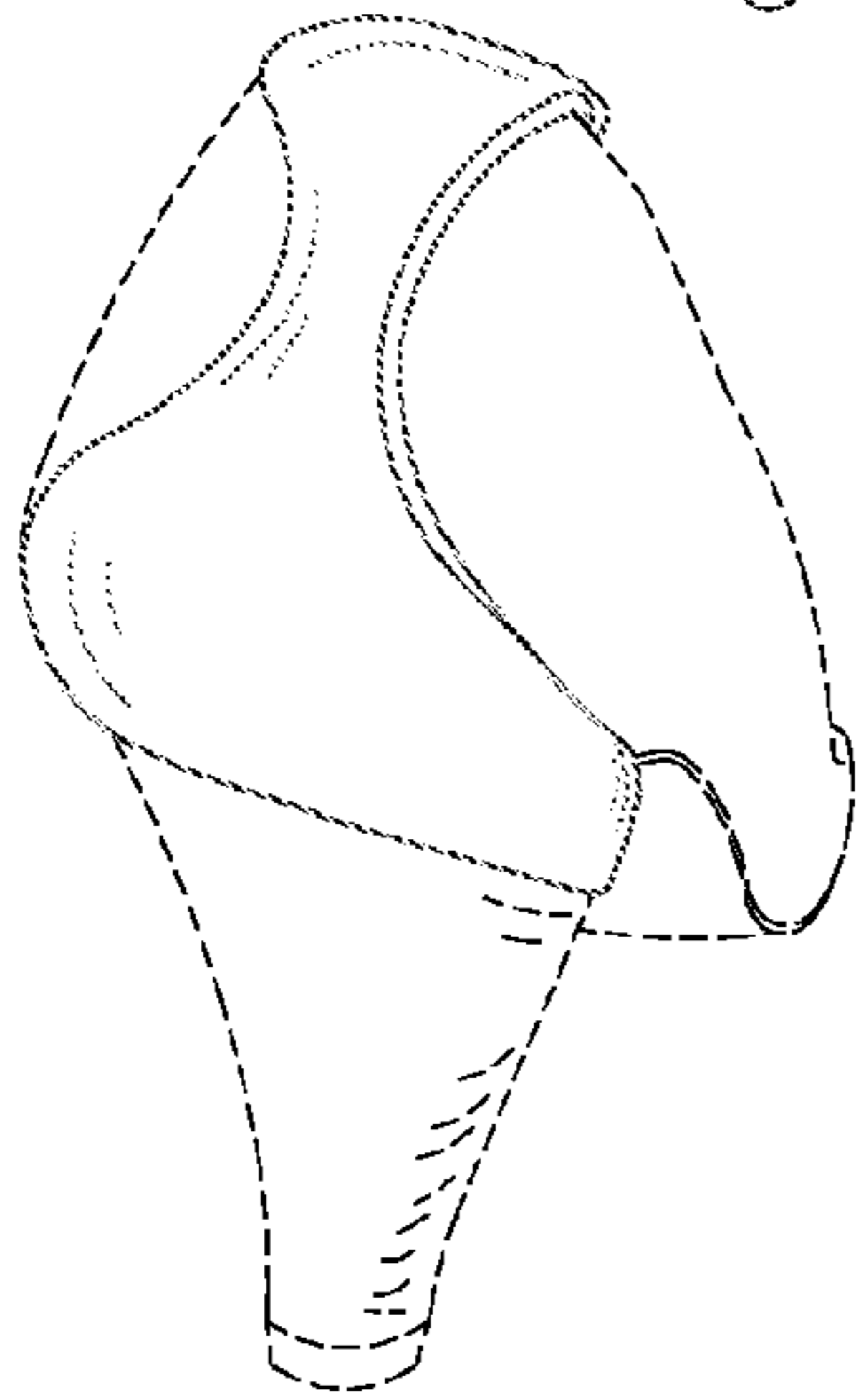


*Fig. 7.*

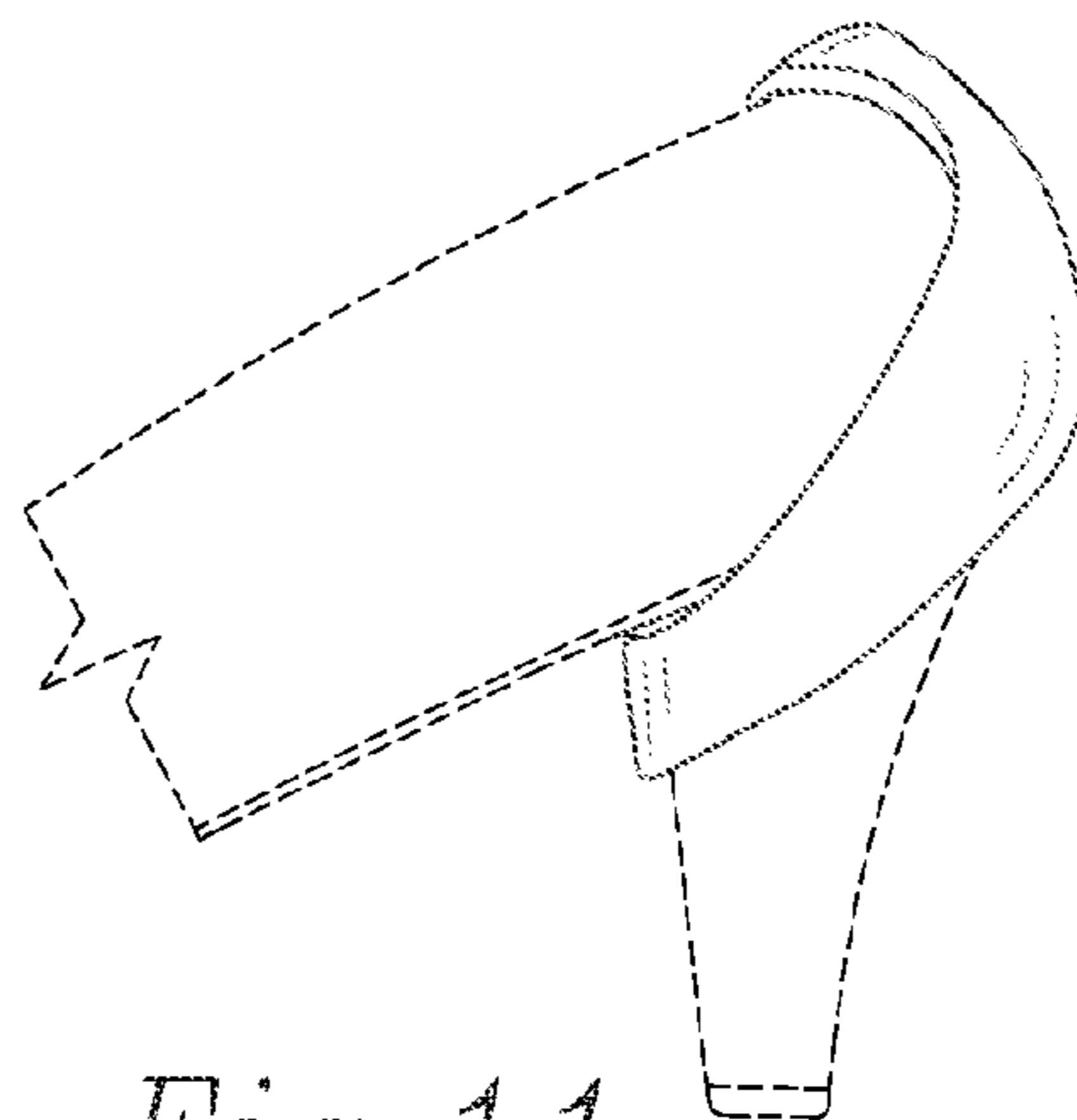


*Fig. 9.*

*Fig. 8.*



*Fig. 10.*



*Fig. 11.*