



US00D630824S

(12) **United States Design Patent**  
**Thomas**

(10) **Patent No.:** **US D630,824 S**  
(45) **Date of Patent:** **\*\* Jan. 18, 2011**

(54) **ELEMENT OF A BRIM OF HEADWEAR**  
(75) Inventor: **Justin B. Thomas**, Dublin, GA (US)  
(73) Assignee: **J-Brem LLC**, Atlanta, GA (US)  
(\*\*) Term: **14 Years**  
(21) Appl. No.: **29/311,972**

3,927,421 A \* 12/1975 Simon ..... 2/12  
4,030,140 A 6/1977 Burt

(Continued)

**FOREIGN PATENT DOCUMENTS**

GB 2069031 \* 9/1997

**OTHER PUBLICATIONS**

U.S. Appl. No. 12/390,109, Thomas, Justin B.

(Continued)

*Primary Examiner*—Elizabeth A Albert  
*Assistant Examiner*—Karen E Eldridge Powers  
(74) *Attorney, Agent, or Firm*—Kilpatrick Stockton LLP

(22) Filed: **Aug. 7, 2009**  
(51) **LOC (9) Cl.** ..... **02-03**  
(52) **U.S. Cl.** ..... **D2/893**  
(58) **Field of Classification Search** ..... D2/865,  
D2/866, 870, 871, 872, 873, 874, 875, 876,  
D2/877, 878, 879, 880, 881, 882, 884, 886,  
D2/888; D29/104, 106, 109; 2/12, 171,  
2/171.2, 171.5, 172, 181, 181.2, 181.4, 181.6,  
2/181.8, 182.1, 182.2, 182.3, 182.4, 182.5,  
2/182.6, 182.7, 182.8, 183, 184.5, 200.1,  
2/204, 209.11, 209.12, 209.13, 209.4, 175.1,  
2/175.2, 175.3, 175.7, 195.1, 195.2, 195.7,  
2/DIG. 11, 411, 425

See application file for complete search history.

(56) **References Cited**

**U.S. PATENT DOCUMENTS**

50,285 A \* 10/1865 Smith ..... 2/182.2  
D26,451 S \* 12/1896 Wolfgang ..... D2/882  
1,051,248 A \* 1/1913 McMurtry ..... 2/181.4  
1,296,366 A \* 3/1919 Clark ..... 2/10  
1,392,539 A \* 10/1921 Tipograph ..... 2/181  
1,482,685 A \* 2/1924 Jaffe et al. .... 2/181.4  
1,568,097 A \* 1/1926 Smith ..... 2/181.4  
1,611,771 A \* 12/1926 Nathan ..... 2/181.4  
1,648,551 A \* 11/1927 Klein ..... 2/209.12  
1,694,230 A \* 12/1928 Rappaport ..... 223/12  
D174,517 S \* 4/1955 Schwartz ..... D2/872  
2,874,387 A \* 2/1959 Bannister et al. .... 2/195.1  
D187,519 S \* 3/1960 Lasting ..... D2/865

(57) **CLAIM**

I claim the ornamental design for an element of a brim of headwear, as shown and described.

**DESCRIPTION**

FIG. 1 is a perspective view of an element of a brim of headwear, showing my new design.

FIG. 2 is a front elevation view of the element of a brim of headwear of FIG. 1.

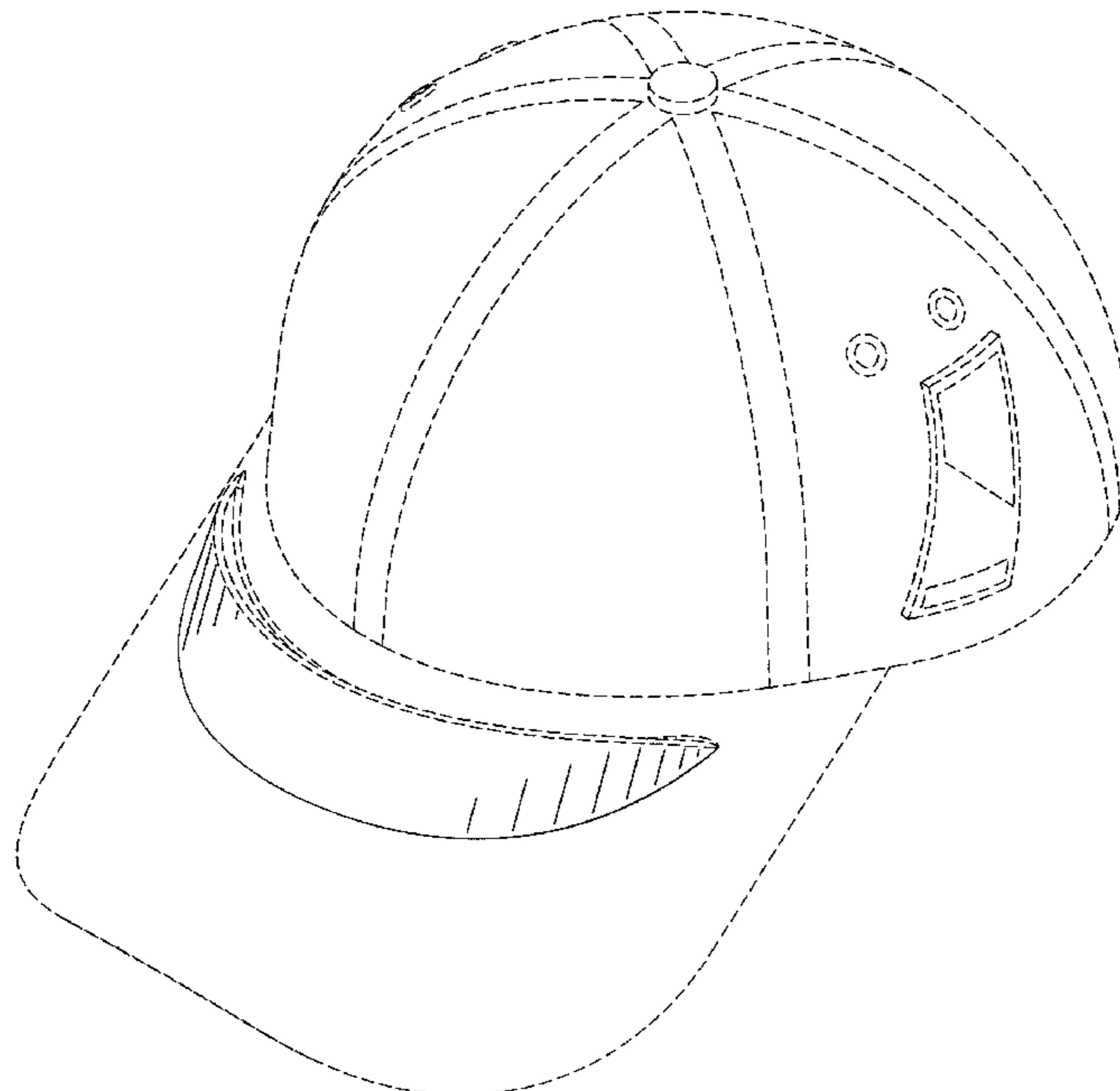
FIG. 3 is a right side elevation view of the element of a brim of headwear of FIG. 1, the left side elevation view being a mirror image of the right side elevation view.

FIG. 4 is a rear elevation view of the element of the brim of headwear of FIG. 1; and,

FIG. 5 is a top plan view of the element of a brim of headwear of FIG. 1.

In the drawings, the broken lines indicate environmental structure and form no part of the claimed design.

**1 Claim, 5 Drawing Sheets**





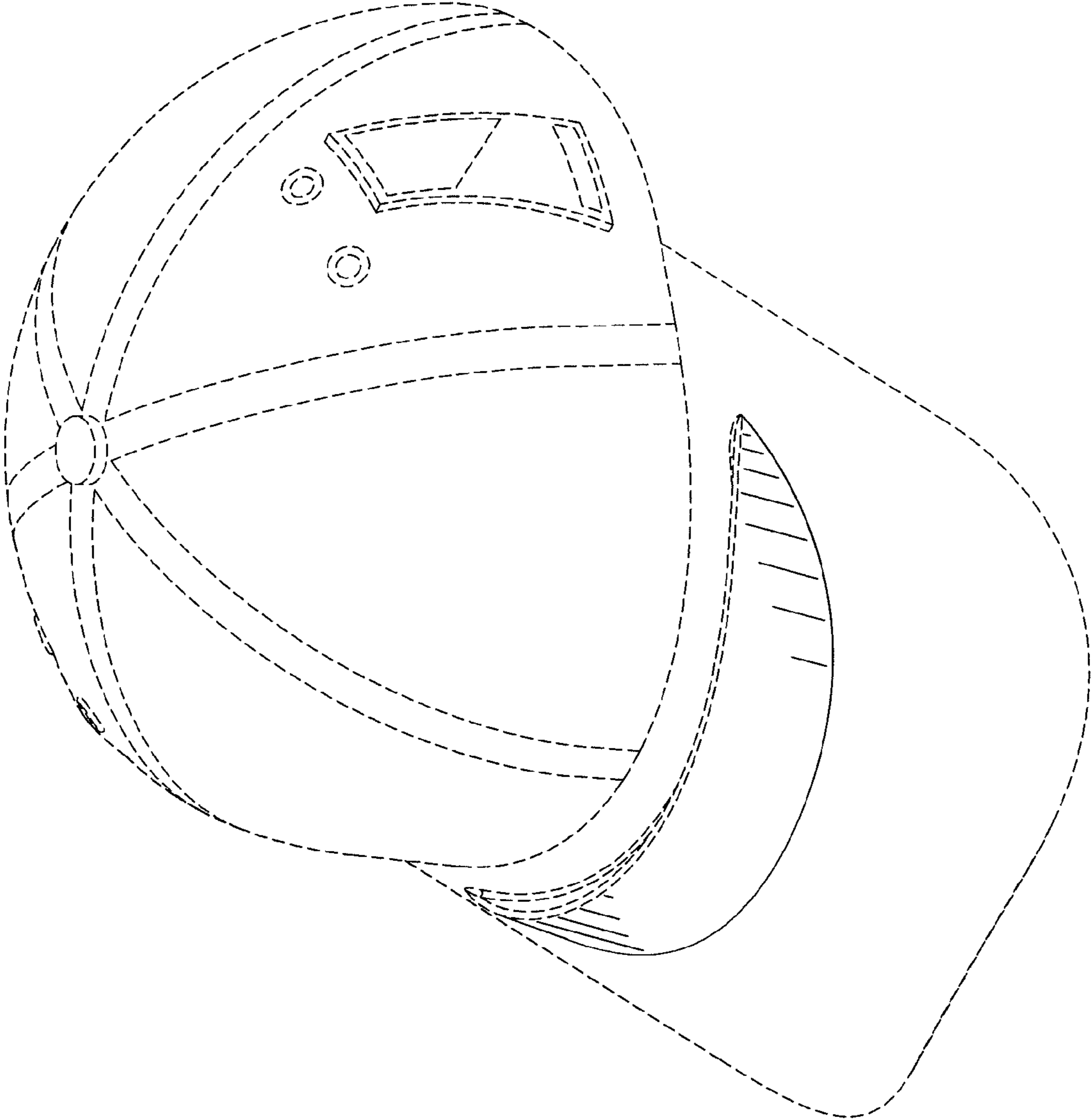


FIG. 1

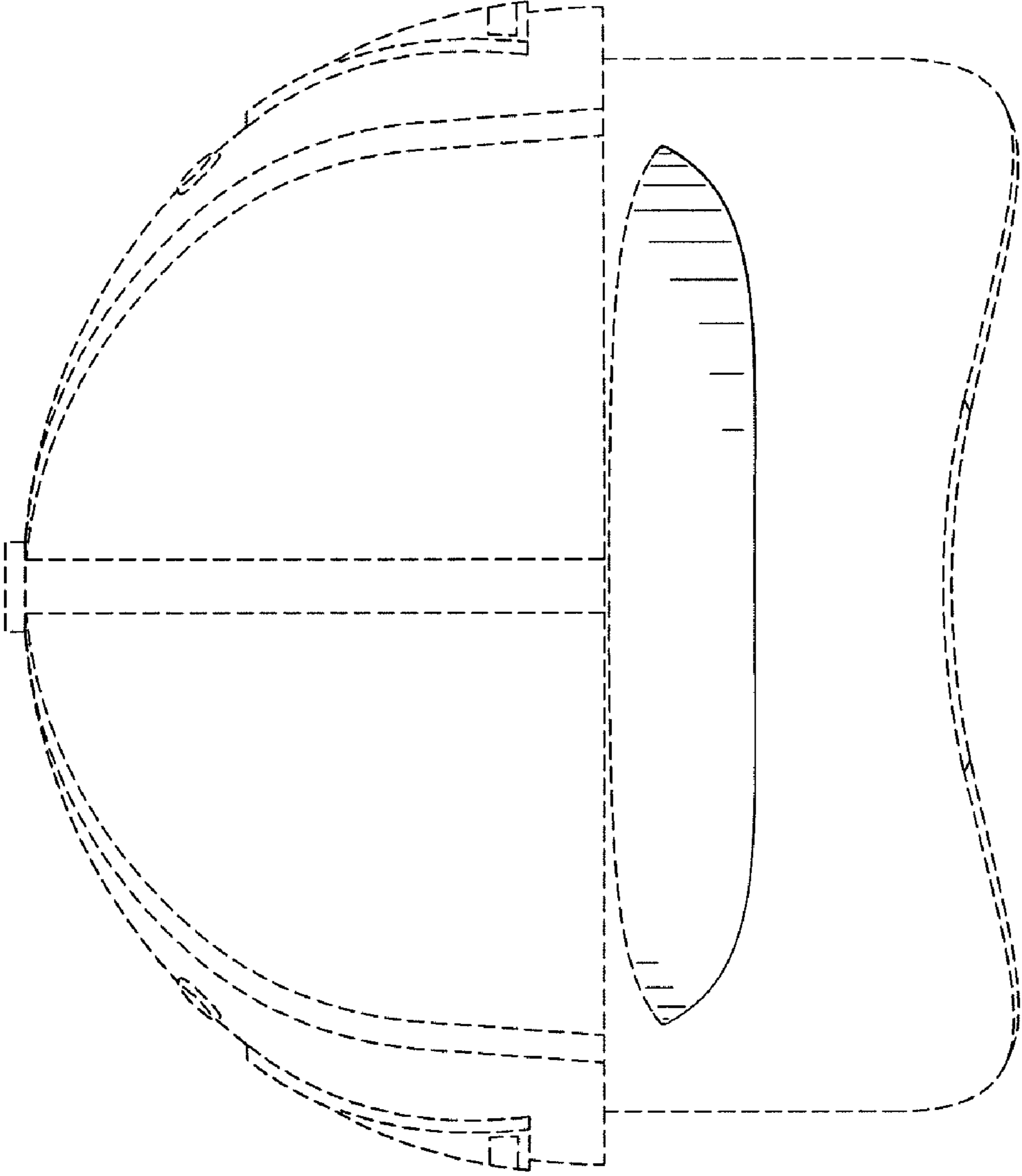


FIG. 2

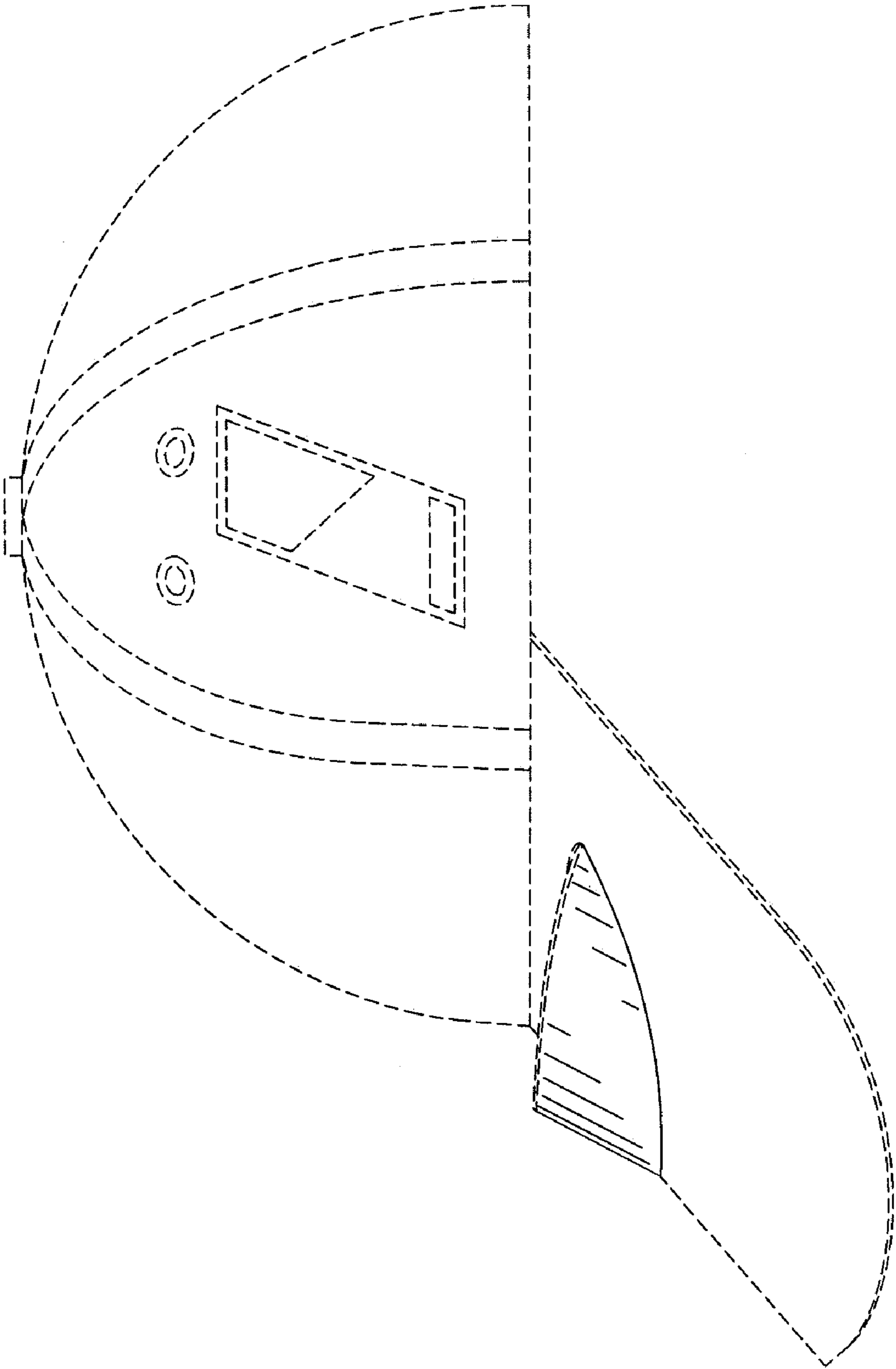


FIG. 3

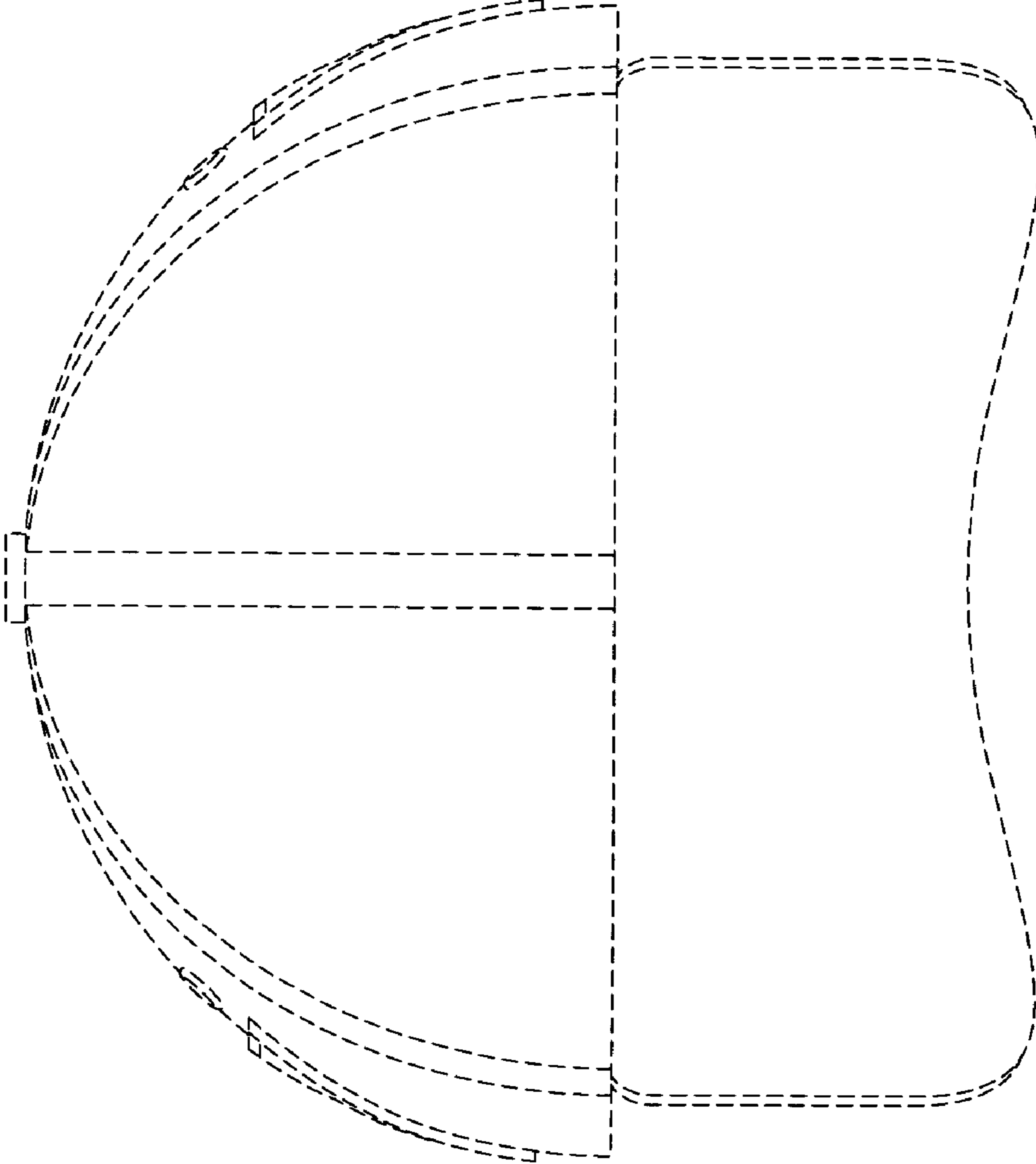


FIG. 4

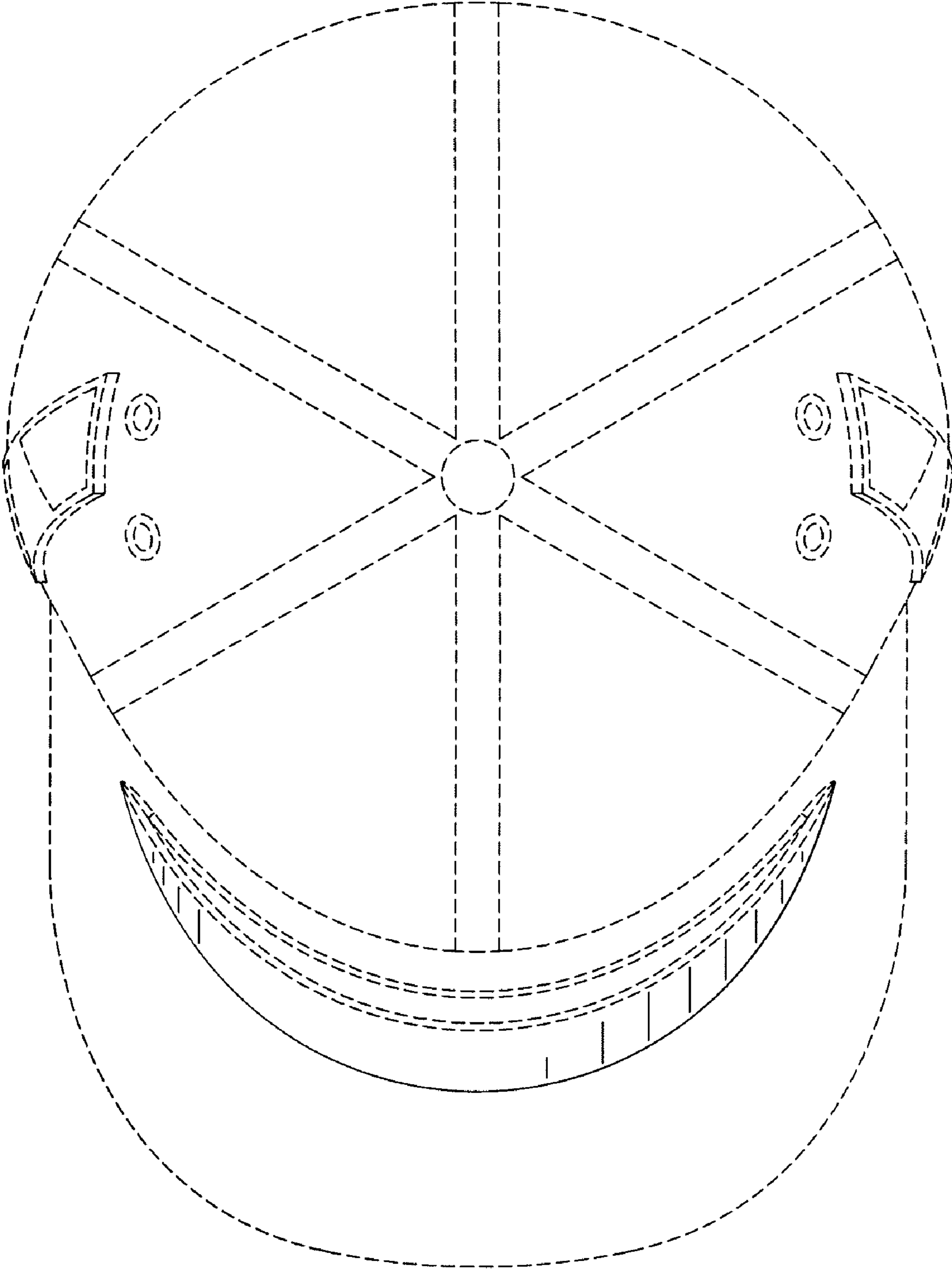


FIG. 5