

US00D630823S

(12) **United States Design Patent**
DesLauriers

(10) **Patent No.:** **US D630,823 S**
(45) **Date of Patent:** **** Jan. 18, 2011**

- (54) **CAP**
 - (75) Inventor: **William James DesLauriers**, Toronto (CA)
 - (73) Assignee: **CapPad Inc.**, Toronto (CA)
 - (**) Term: **14 Years**
 - (21) Appl. No.: **29/361,161**
 - (22) Filed: **May 6, 2010**
 - (51) **LOC (9) Cl.** **02-03**
 - (52) **U.S. Cl.** **D2/889**
 - (58) **Field of Classification Search** D2/865, D2/866, 867, 868, 870, 871, 892, 873, 874, D2/875, 876, 877, 878, 879, 880, 881, 882, D2/883, 884, 886, 891, 893; D29/102, 103, D29/104, 105, 106, 122; 2/10, 68, 171, 171.1, 2/171.2, 171.3, 171.4, 171.5, 171.6, 171.7, 2/171.8, 172, 173, 183, 184, 184.5, 175.1, 2/175.2, 175.3, 175.4, 175.5, 175.6, 175.7, 2/175.8, 175.9, 195.1, 195.2, 195.3, 195.4, 2/195.5, 195.6, 195.7, 200.1, 200.2, 204, 2/209.11, 209.12, 209.13, 209.14, 209.3, 2/209.4, 209.5, 209.7; 40/329
- See application file for complete search history.

- 1,907,709 A * 5/1933 Barrow 2/171
- 2,101,734 A * 12/1937 Chapple 2/68
- D109,526 S * 5/1938 Finkelstein D2/865
- 3,780,382 A * 12/1973 Boden 2/182.6
- 4,101,981 A * 7/1978 Boden 2/182.6
- 4,912,778 A * 4/1990 Daniels 2/7
- 5,125,113 A * 6/1992 Yun 2/10
- D360,519 S * 7/1995 Bailey D2/876
- D364,496 S * 11/1995 Lejuez D2/892
- 6,018,821 A * 2/2000 Adams 2/209.11
- D426,939 S * 6/2000 Farbenbloom D2/892

(Continued)

Primary Examiner—Elizabeth A Albert
Assistant Examiner—Karen E Eldridge Powers
(74) *Attorney, Agent, or Firm*—Macleod Dixon LLP

(57) **CLAIM**

The ornamental design for the cap, as shown and described.

DESCRIPTION

FIG. 1 is a perspective view of the cap showing my new design.

FIG. 2 is a front view of the cap of FIG. 1.

FIG. 3 is a left side view of the cap of FIG. 1, the right side being a mirror image thereof.

FIG. 4 is a back view of the cap of FIG. 1.

FIG. 5 is a top view of the cap of FIG. 1; and,

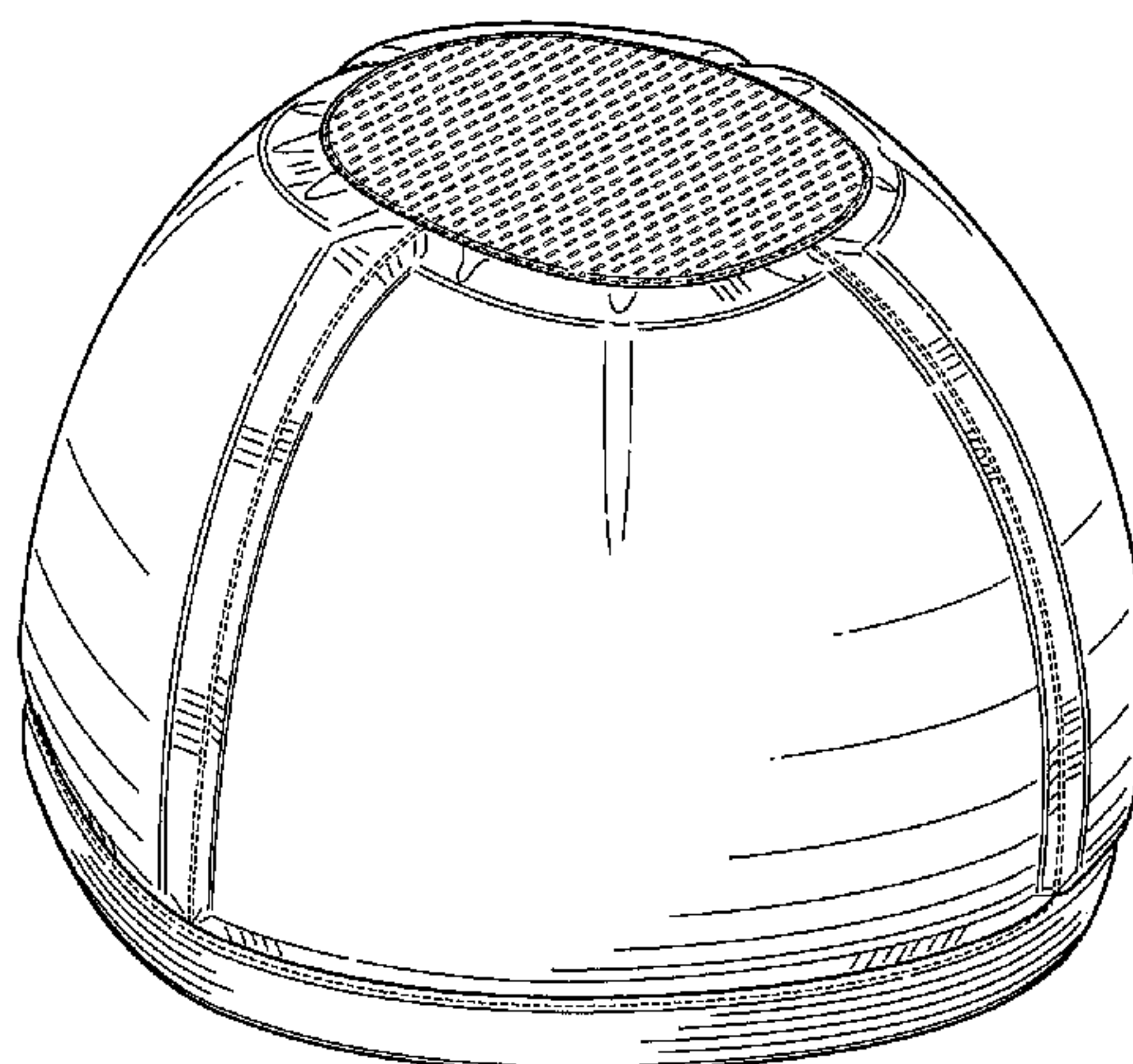
FIG. 6 is a bottom view of the cap of FIG. 1.

The broken lines shown in the drawings are stitch lines and form a part of the claimed design.

1 Claim, 3 Drawing Sheets

(56) **References Cited**
U.S. PATENT DOCUMENTS

- 554,600 A * 2/1896 Hirschberg 2/209.4
- 567,234 A * 9/1896 Halstead 2/182.6
- 655,481 A * 8/1900 Evans 601/12
- 1,077,833 A * 11/1913 Houghton 2/63
- 1,225,618 A * 5/1917 Grunig et al. 2/183
- D58,303 S * 7/1921 Bartholomew D2/865
- 1,434,607 A * 11/1922 Gilson 132/274
- 1,505,289 A * 8/1924 Sanders 132/274
- 1,531,394 A * 3/1925 Hart 2/68
- 1,589,614 A * 6/1926 Peters 2/171.01
- 1,798,024 A * 3/1931 McBride 2/68
- 1,810,655 A * 6/1931 Hosking 2/68
- 1,890,055 A * 12/1932 Grumbach 66/172 R



US D630,823 S

Page 2

U.S. PATENT DOCUMENTS

D427,751 S *	7/2000	Richlin	D2/866	D565,281 S *	4/2008	Dhillon	D2/865
D443,406 S *	6/2001	Jebaily	D2/882	D565,799 S *	4/2008	Timms	D29/102
6,704,940 B1 *	3/2004	Convery et al.	2/175.1	7,707,657 B2 *	5/2010	Kim	2/209.12
6,948,189 B2 *	9/2005	Early	2/184.5	2004/0010839 A1 *	1/2004	Cheatum	2/171

* cited by examiner

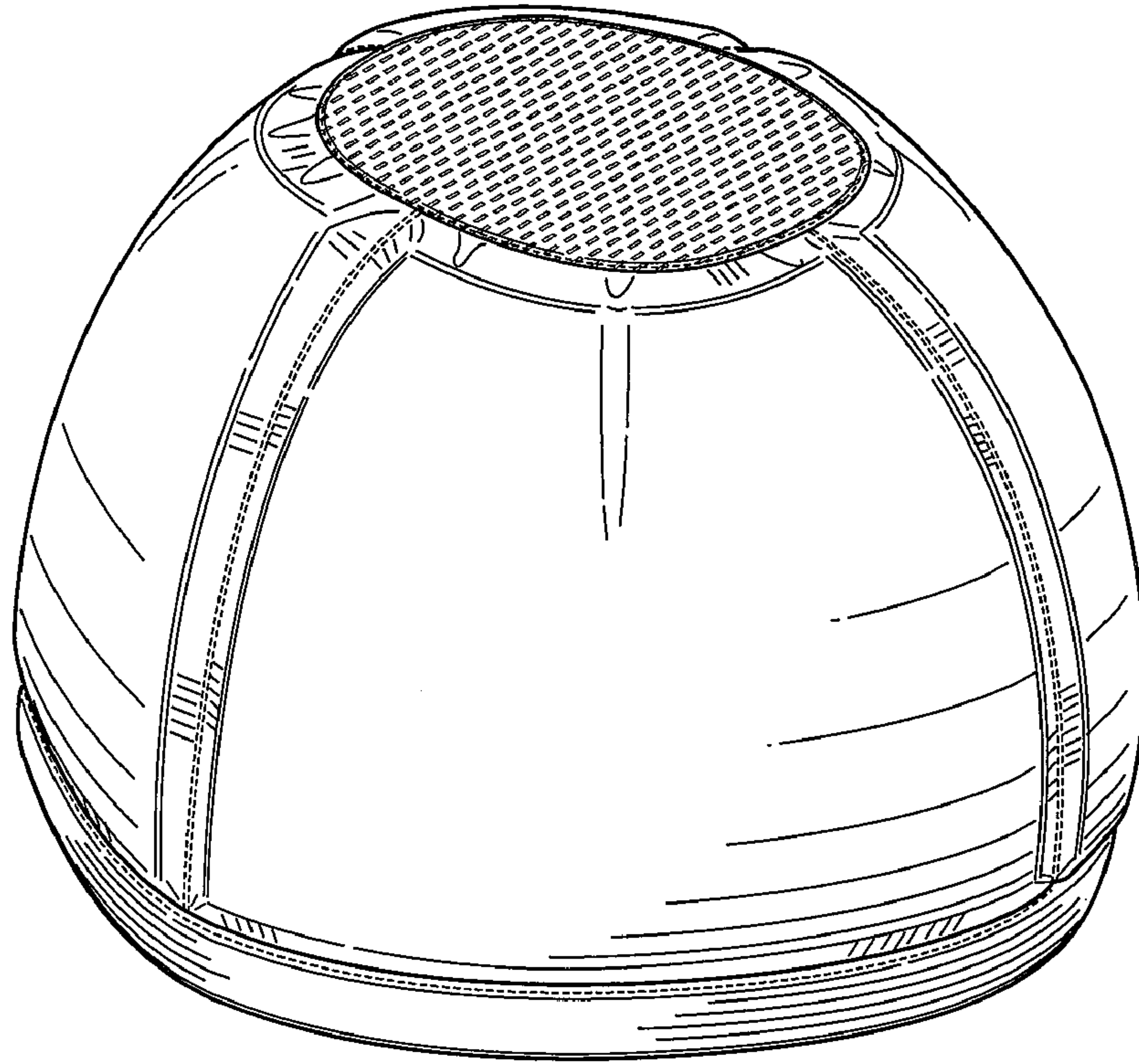


FIG. 1

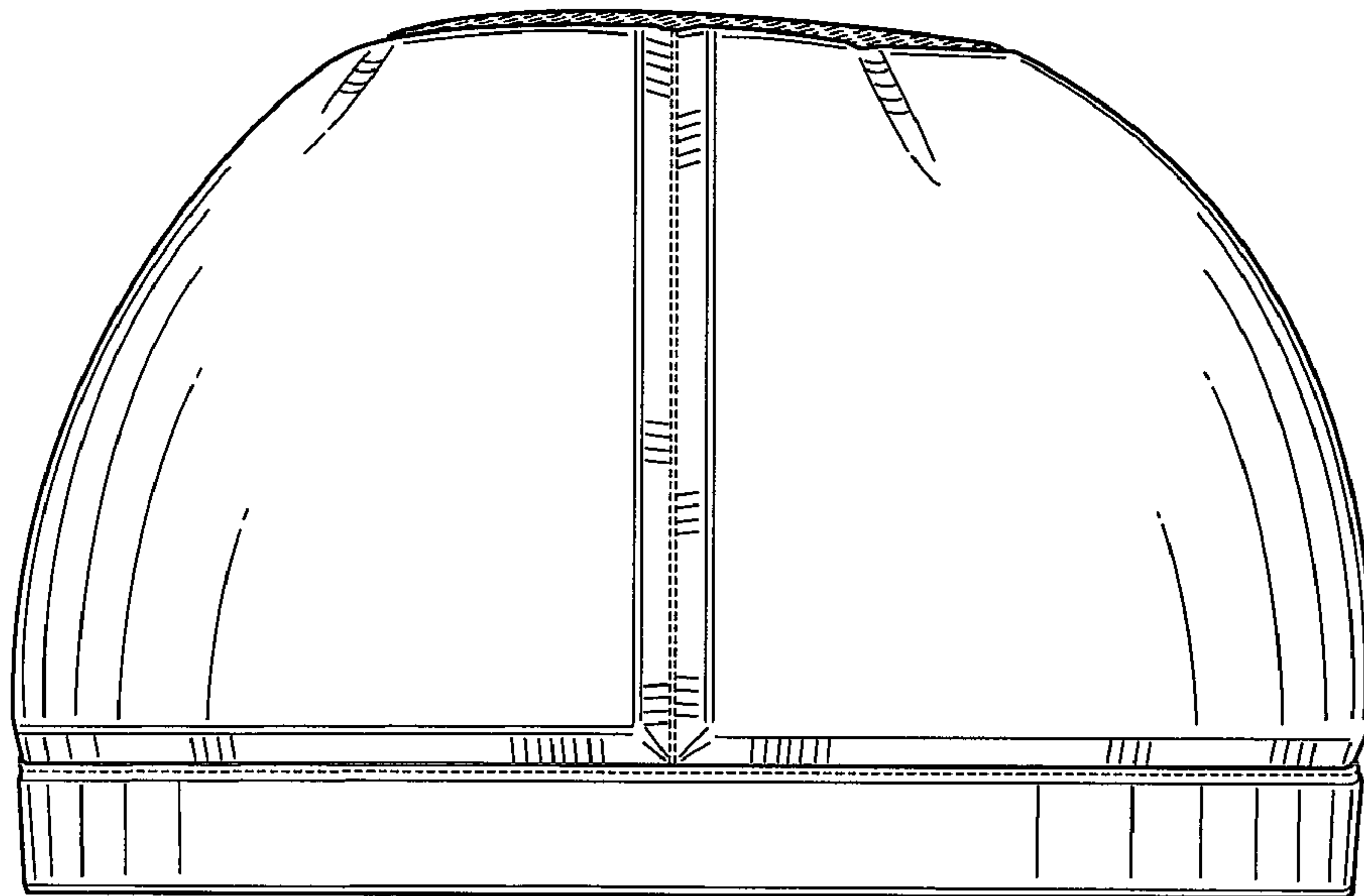


FIG. 2

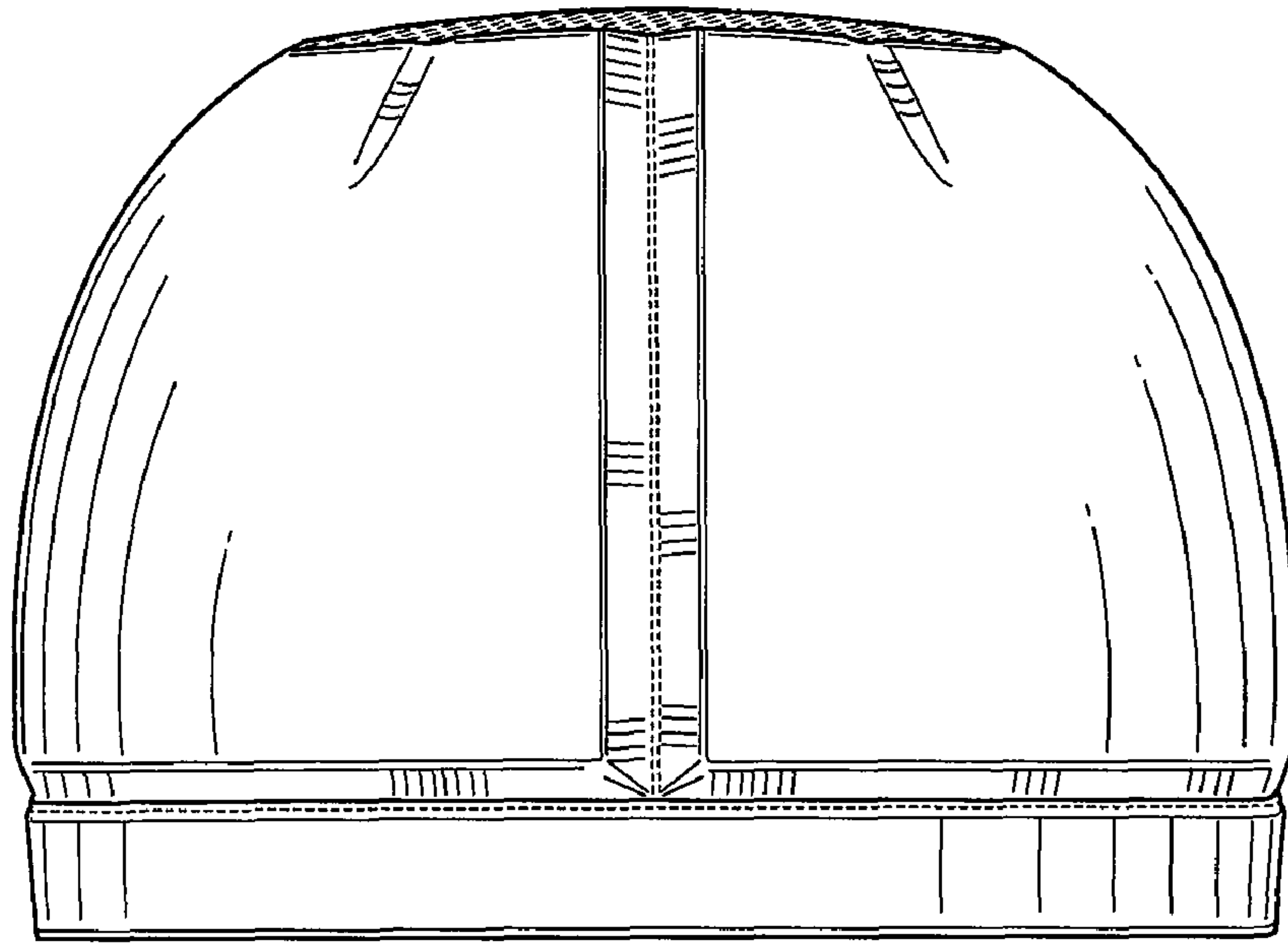


FIG. 3

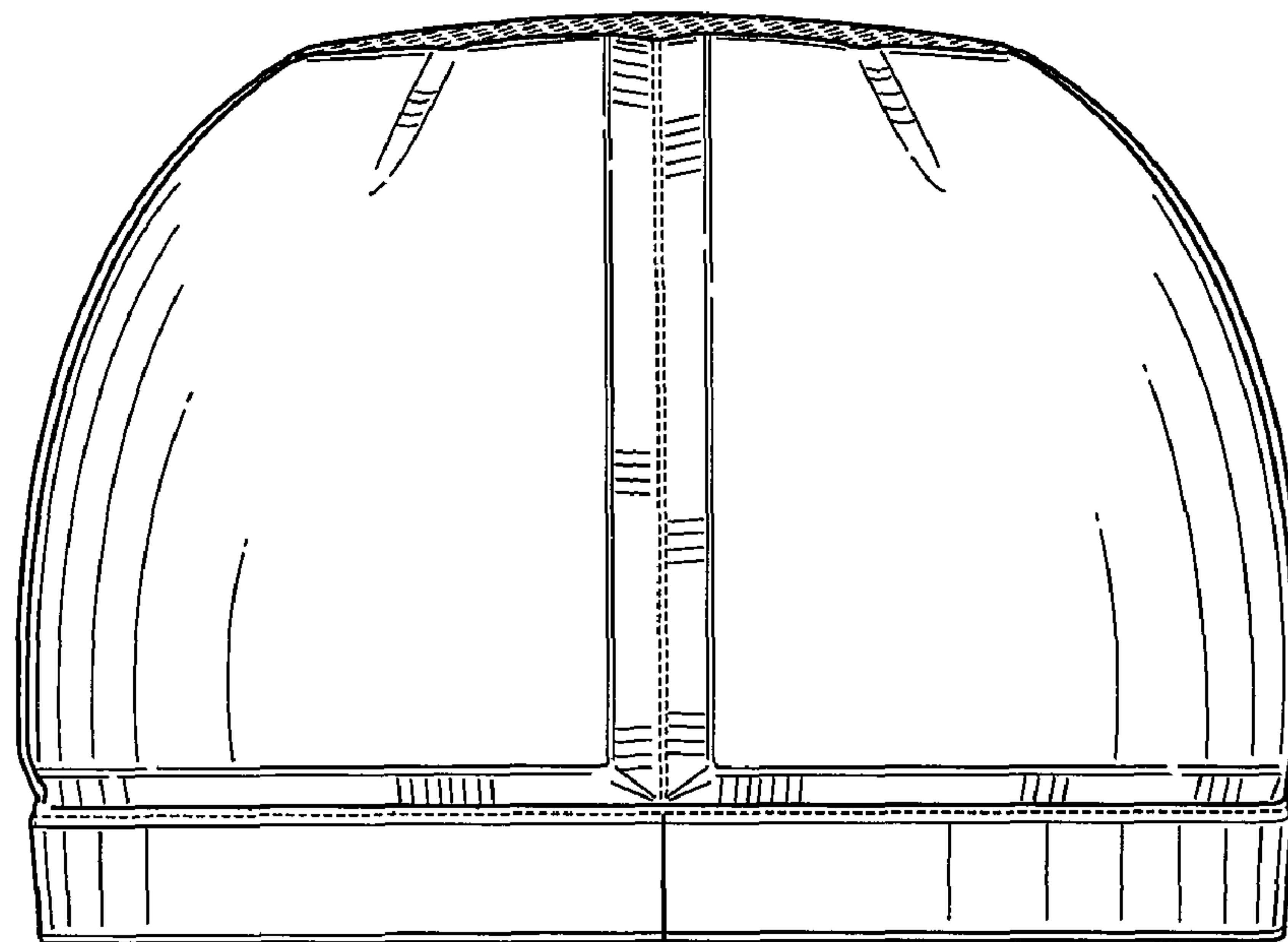


FIG. 4

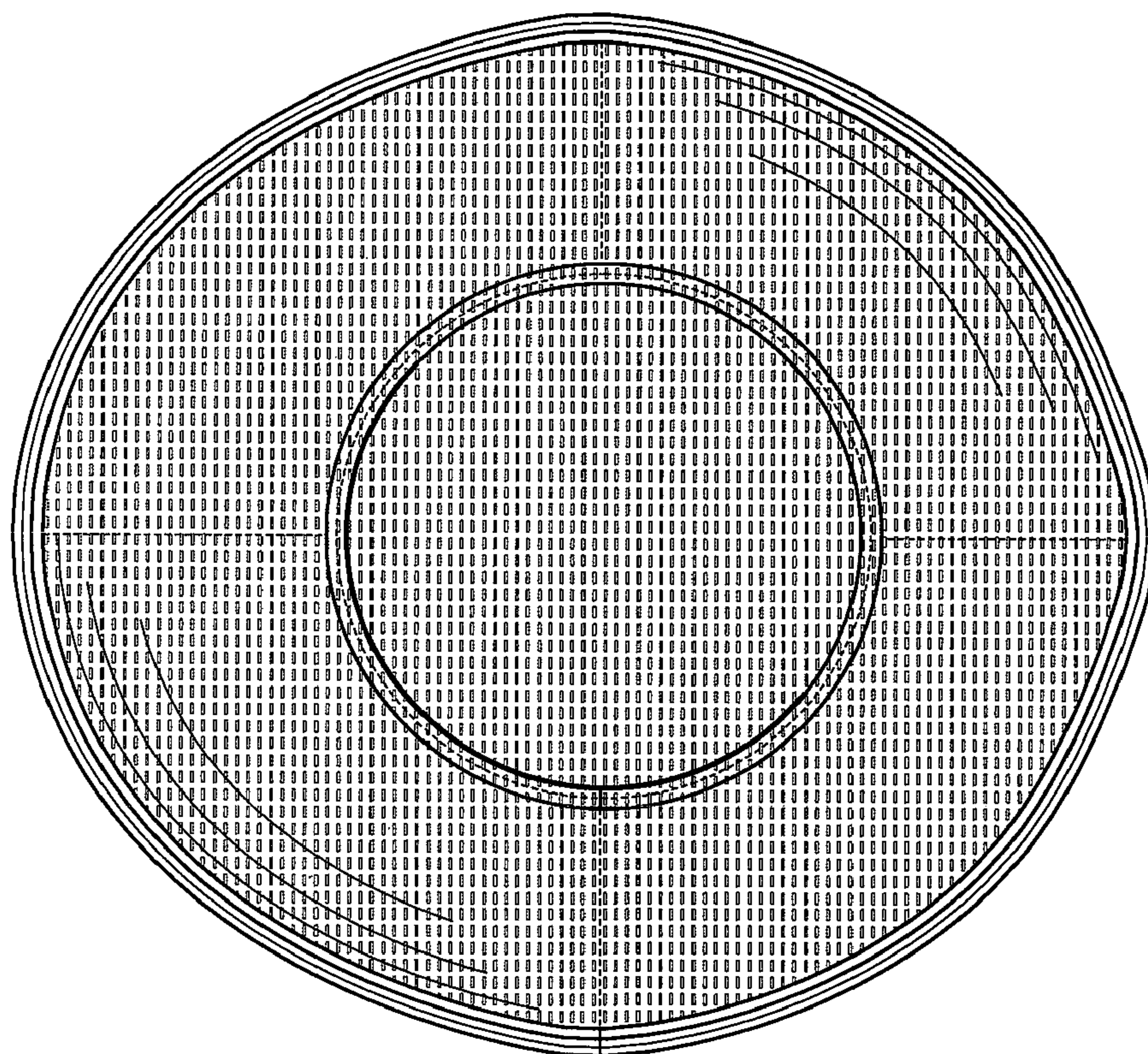


FIG. 6

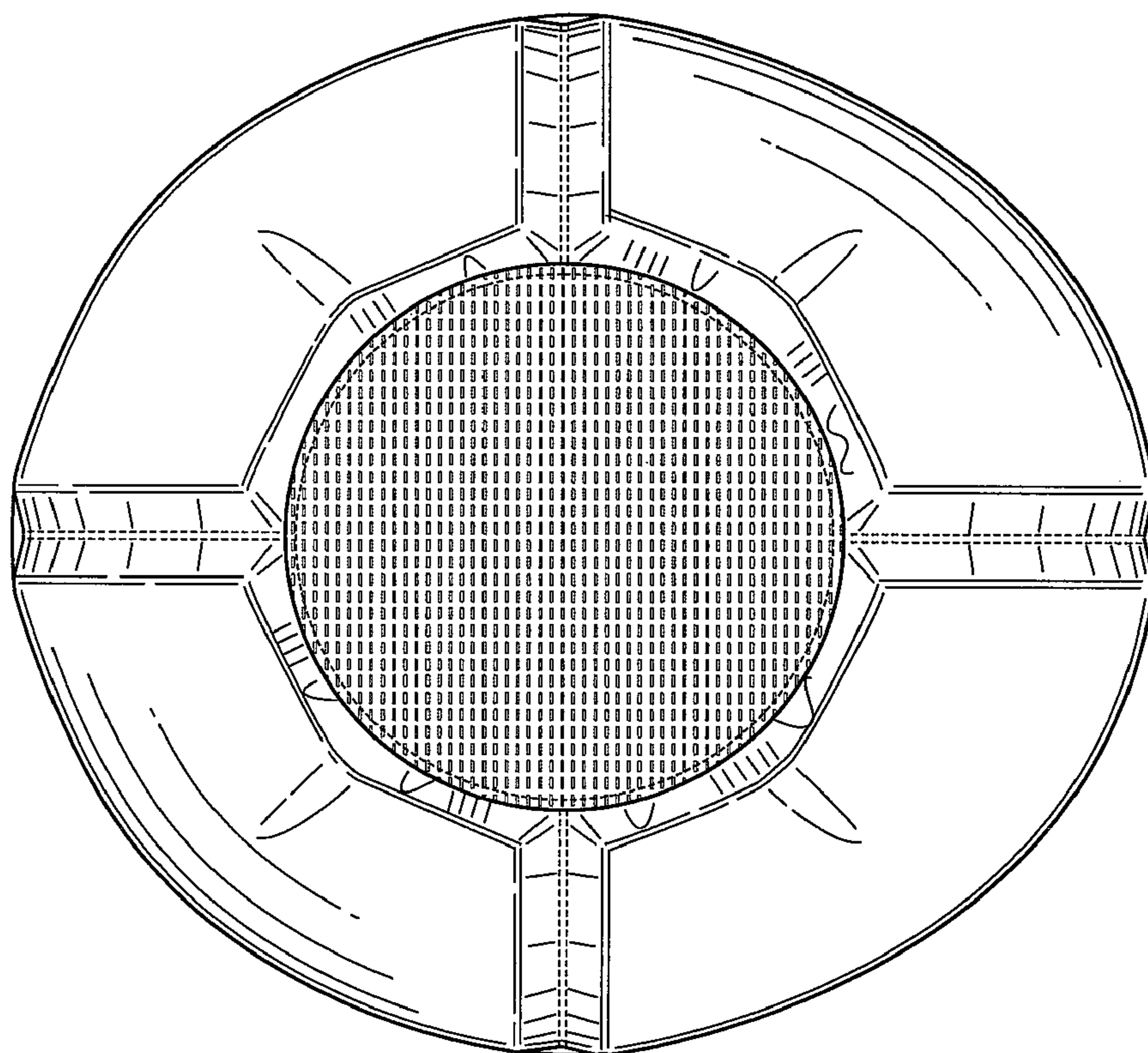


FIG. 5