



US00D630822S

(12) **United States Design Patent**
Thomas

(10) **Patent No.:** **US D630,822 S**
(45) **Date of Patent:** **** Jan. 18, 2011**

- (54) **HEADWEAR**
- (75) Inventor: **Justin B. Thomas**, Dublin, GA (US)
- (73) Assignee: **J-Brem LLC**, Atlanta, GA (US)
- (**) Term: **14 Years**
- (21) Appl. No.: **29/311,971**
- (22) Filed: **Aug. 7, 2009**

- (51) **LOC (9) Cl.** **02-03**
- (52) **U.S. Cl.** **D2/882**
- (58) **Field of Classification Search** D2/865,
D2/866, 870, 871, 872, 873, 874, 875, 876,
D2/877, 878, 879, 880, 881, 882, 884, 886,
D2/888; D29/104, 106; 2/12, 171, 171.2,
2/171.5, 172, 181, 181.2, 181.4, 181.6, 181.8,
2/182.1, 182.2, 182.3, 182.4, 182.5, 182.6,
2/182.7, 182.8, 183, 184.5, 200.1, 204, 209.11,
2/209.12, 209.13, 209.4, 175.1, 175.2, 175.3,
2/175.7, 195.1, 195.2, 195.7, DIG. 11, 411,
2/425

See application file for complete search history.

(56) **References Cited**

U.S. PATENT DOCUMENTS

- 50,285 A * 10/1865 Smith 2/182.2
- D26,451 S * 12/1896 Wolfgang D2/882
- 1,051,248 A * 1/1913 McMurtry 2/181.4
- 1,296,366 A * 3/1919 Clark 2/10
- 1,392,539 A * 10/1921 Tipograph 2/181
- 1,482,685 A * 2/1924 Jaffe et al. 2/181.4
- 1,568,097 A * 1/1926 Smith 2/181.4
- 1,611,771 A * 12/1926 Nathan 2/181.4
- 1,648,551 A * 11/1927 Klein 2/209.12
- 1,694,230 A * 12/1928 Rappaport 223/12
- D174,517 S * 4/1955 Schwartz D2/872
- D187,519 S * 3/1960 Lasting D2/865
- 4,030,140 A 6/1977 Burt
- 4,179,753 A 12/1979 Aronberg
- 4,304,005 A 12/1981 Danley, Sr.

- 5,007,109 A * 4/1991 Wheeler 2/10
- 5,052,054 A 10/1991 Birum
- 5,105,475 A 4/1992 Lynd et al.
- 5,533,207 A 7/1996 Diaz
- 5,533,208 A 7/1996 Tonoyan et al.

(Continued)

OTHER PUBLICATIONS

Thomas, Justin Co-pending U.S. Appl. No. 29/311,972, filed Aug. 7, 2009.*

(Continued)

Primary Examiner—Elizabeth A Albert
Assistant Examiner—Karen E Eldridge Powers
(74) *Attorney, Agent, or Firm*—Kilpatrick Stockton LLP

(57) **CLAIM**

I claim the ornamental design for headwear, as shown and described.

DESCRIPTION

FIG. 1 is a perspective view of headwear, showing my new design.

FIG. 2 is a front elevation view of the headwear of FIG. 1.

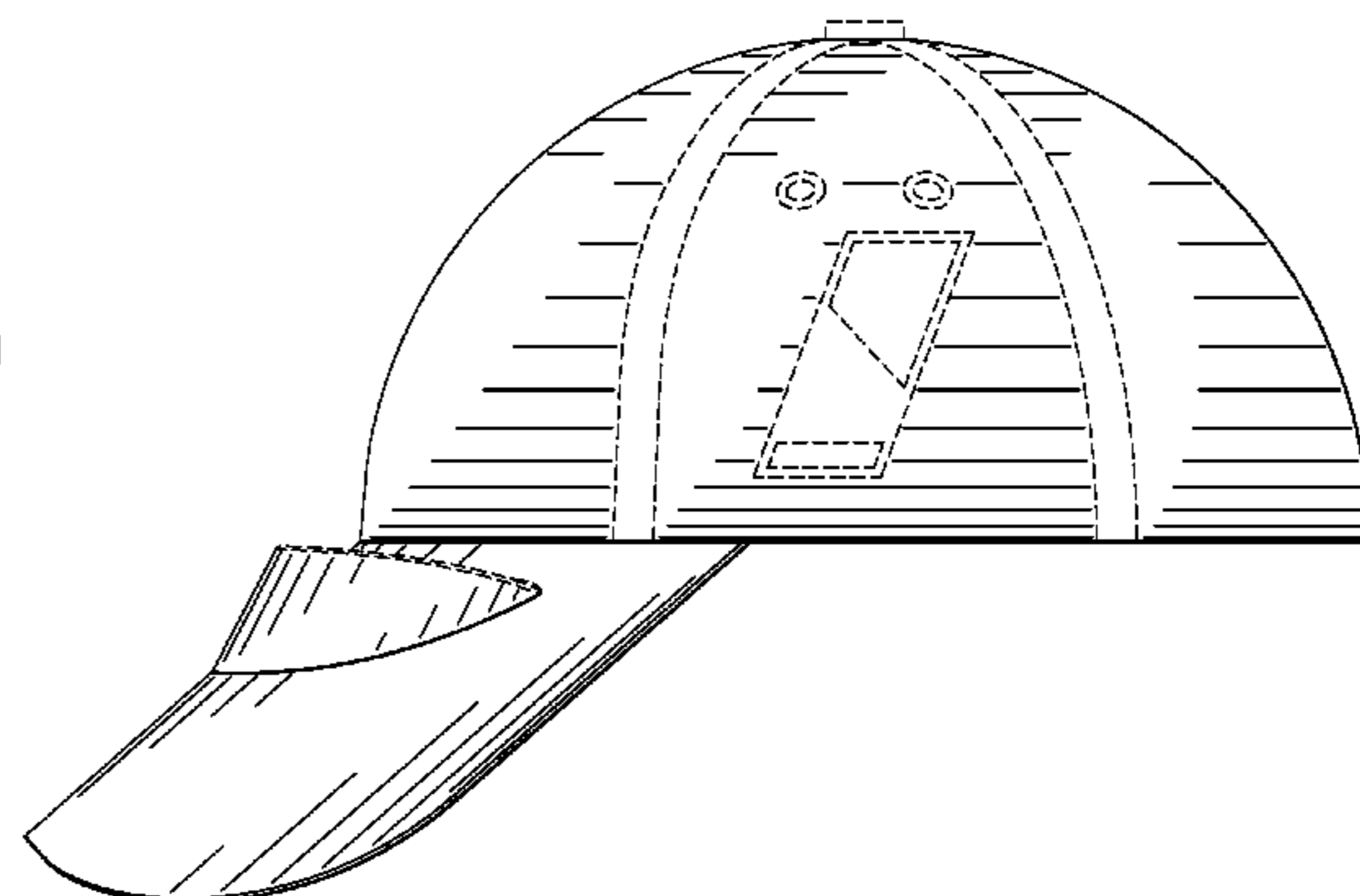
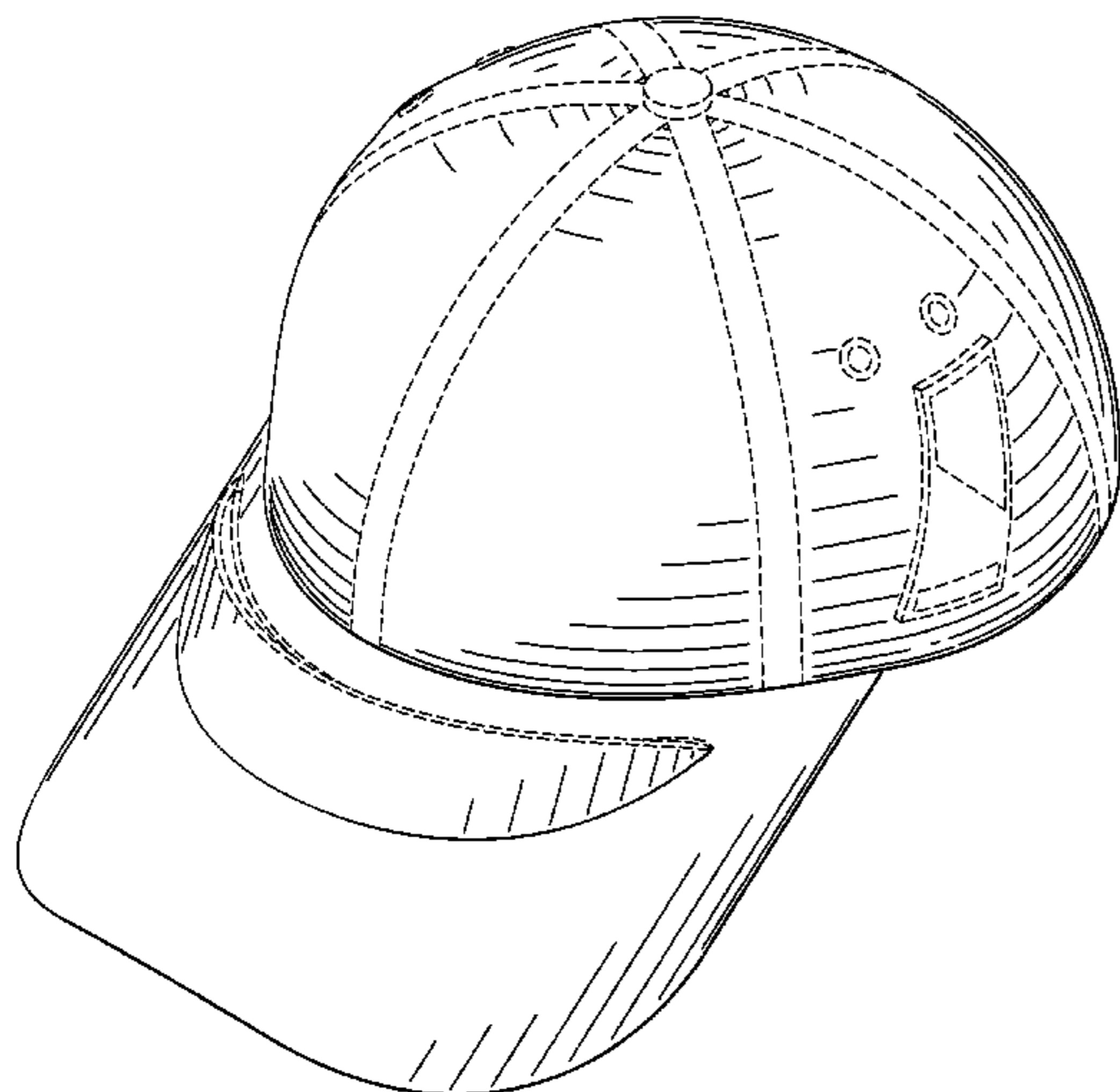
FIG. 3 is a right side elevation view of the headwear of FIG. 1, the left side elevation view being a mirror image of the right side elevation view.

FIG. 4 is a rear elevation view of the headwear of FIG. 1; and,

FIG. 5 is a top plan view of the headwear of FIG. 1.

In the drawings, the broken lines indicate environmental structure and form no part of the claimed design.

1 Claim, 5 Drawing Sheets



US D630,822 S

Page 2

U.S. PATENT DOCUMENTS

5,815,832	A	10/1998	Skolik						
5,860,167	A	1/1999	Lizio						
D405,239	S *	2/1999	Kostinko	D2/882	7,255,436	B2	8/2007	Tracy	
5,867,874	A	2/1999	Simpson		7,275,270	B2	10/2007	Cotutsca	
5,887,287	A	3/1999	Potochnik		7,461,764	B2	12/2008	Thompson	
6,185,748	B1	2/2001	DeChambeau		7,484,845	B2	2/2009	Douglas	
D441,938	S *	5/2001	Davis	D2/882	2002/0095715	A1 *	7/2002	Hong	2/209.11
6,237,159	B1	5/2001	Martin		2005/0039240	A1	2/2005	Kidouchim	
6,298,495	B1	10/2001	Totani		2005/0132460	A1	6/2005	Ko	
6,314,583	B1	11/2001	Cho		2006/0152671	A1	7/2006	Risso et al.	
6,481,059	B2	11/2002	Morris		2006/0268221	A1	11/2006	Tracy	
6,637,074	B1	10/2003	Morris		2007/0028360	A1	2/2007	Cotutsca	
6,644,807	B1	11/2003	Hood		2007/0101480	A1	5/2007	Douglas	
6,647,554	B1	11/2003	Yan		2007/0220656	A1	9/2007	Cotutsca	
6,668,426	B1	12/2003	Morris		2007/0229759	A1	10/2007	Jones	
6,671,885	B2	1/2004	Viggiano		2007/0256214	A1	11/2007	Mcgowan et al.	
6,792,619	B1	9/2004	Morris et al.		2007/0271677	A1	11/2007	Romanski et al.	
D503,846	S *	4/2005	Gallagher et al.	D2/881	2008/0028498	A1	2/2008	Beheton	
6,935,741	B2	8/2005	Denney et al.		2008/0066215	A1	3/2008	Thompson	
6,935,742	B1	8/2005	Wilson, Sr.		2009/0049743	A1	2/2009	Lewis, Jr.	
6,944,882	B2	9/2005	Lawrence et al.		2009/0288238	A1 *	11/2009	Greene, Jr.	2/171.3
7,003,809	B1	2/2006	Gordon		2010/0017941	A1 *	1/2010	Taylor	2/171.3
7,013,491	B2	3/2006	Ferrara						
7,051,406	B1	5/2006	Morris						
7,165,273	B1	1/2007	Redmond						
D543,338	S *	5/2007	Park	D2/882					

OTHER PUBLICATIONS

U.S. Appl. No 12/390,109, Thomas, Justin B.
"PCT Invitation to Pay Additional Fees and, where applicable, Pro-
test Fee", PCT Application No. PCT/US2009/049743 Nov. 11, 2009.

* cited by examiner

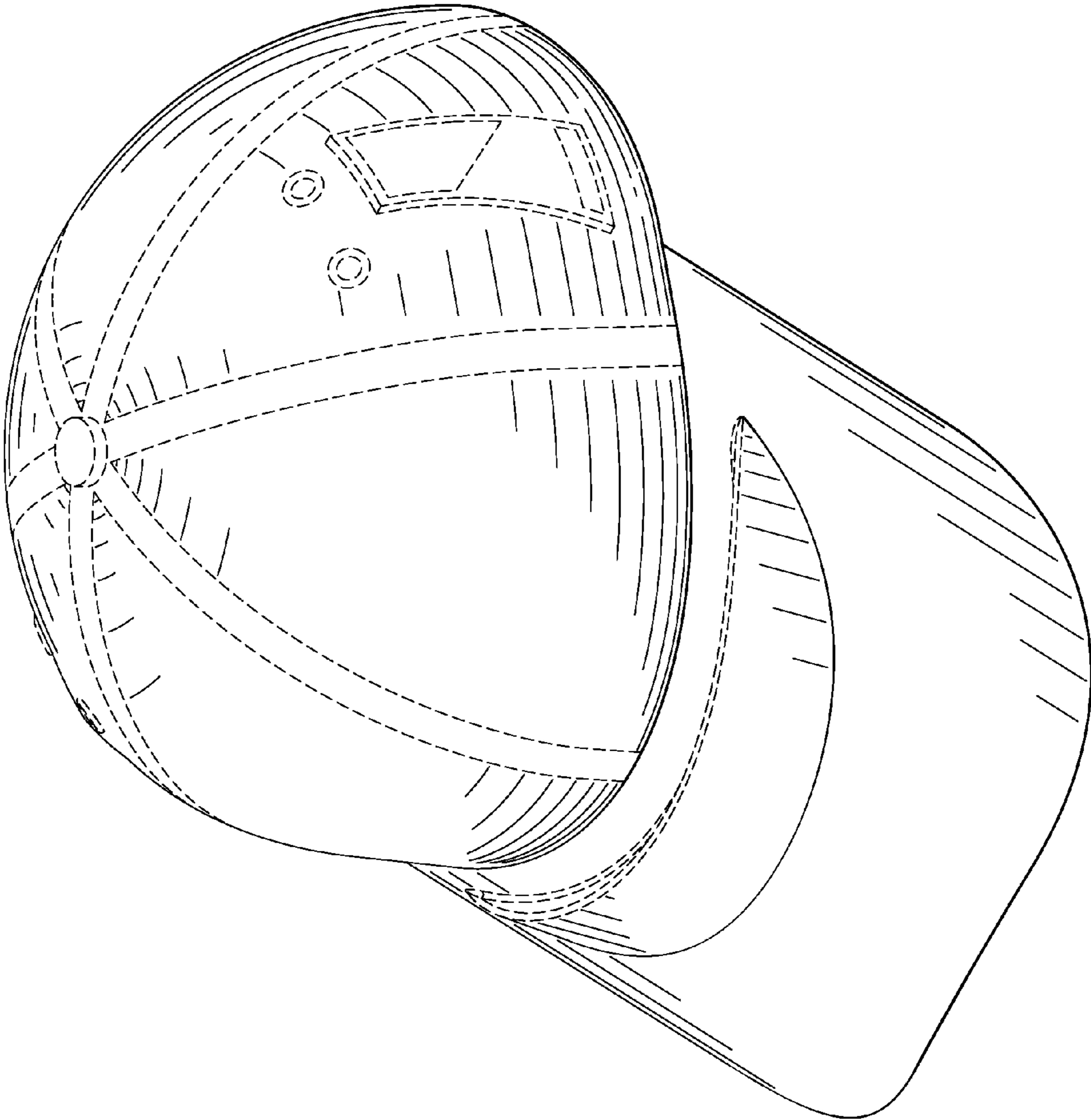


FIG. 1

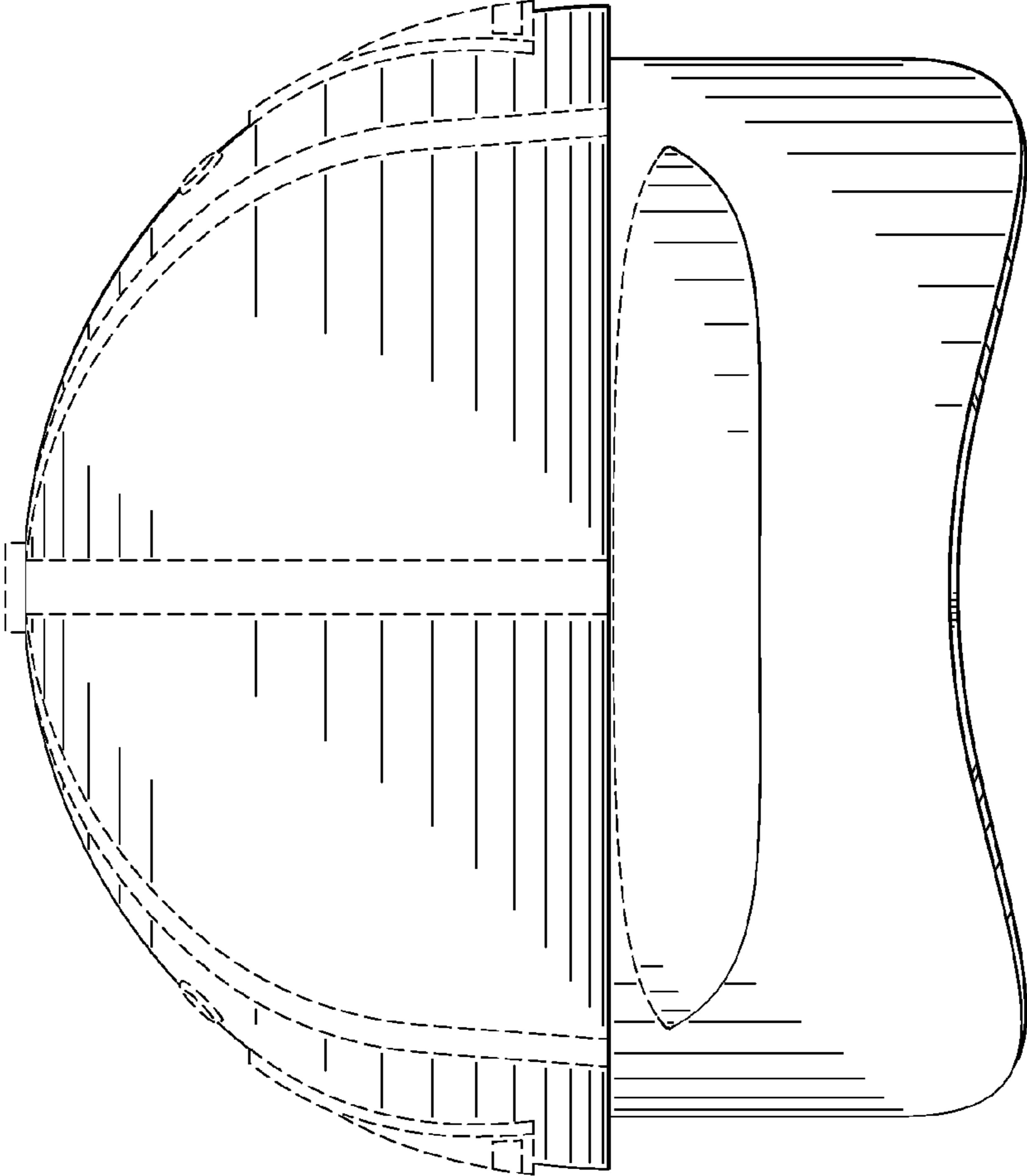


FIG. 2

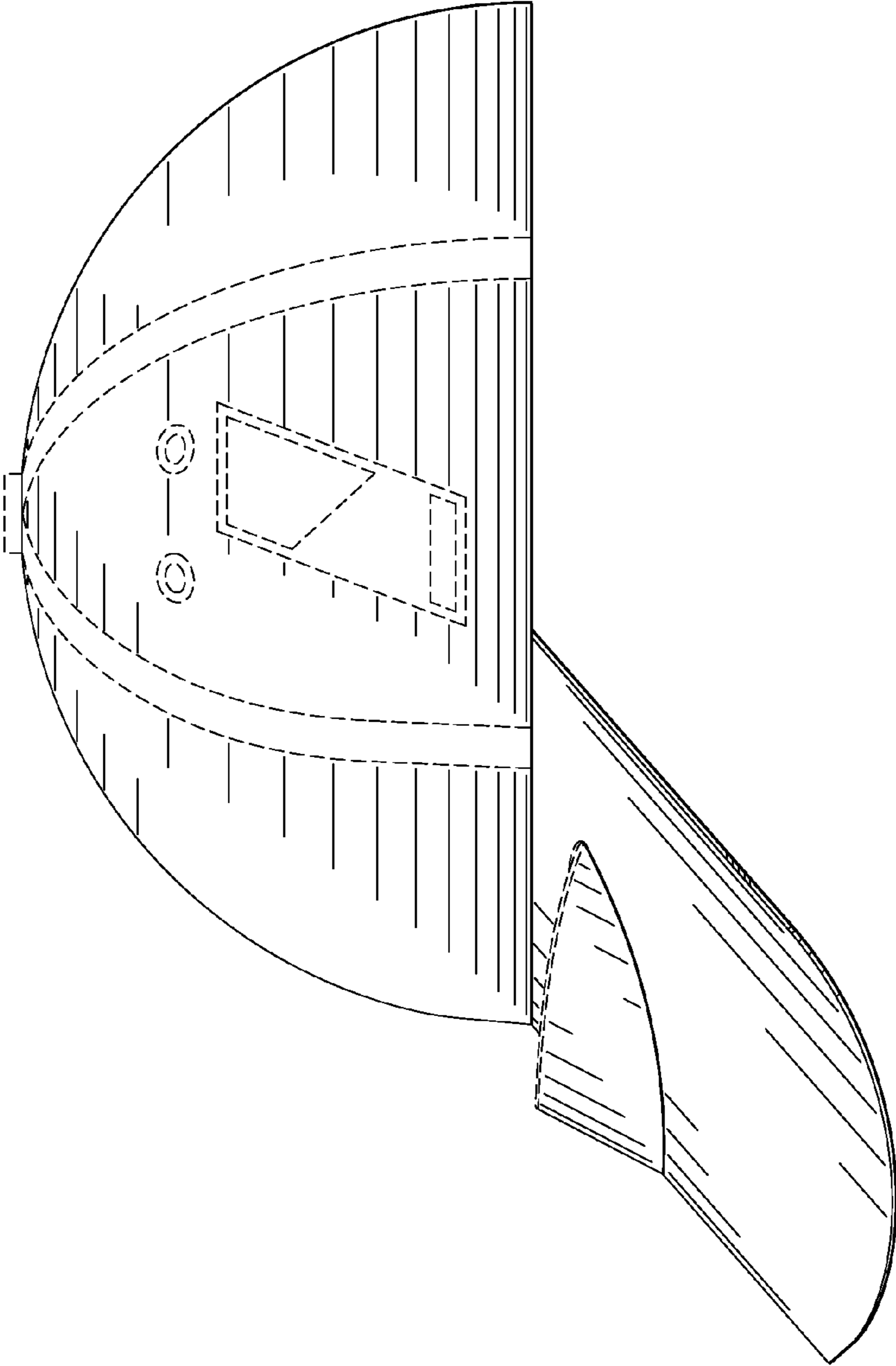


FIG. 3

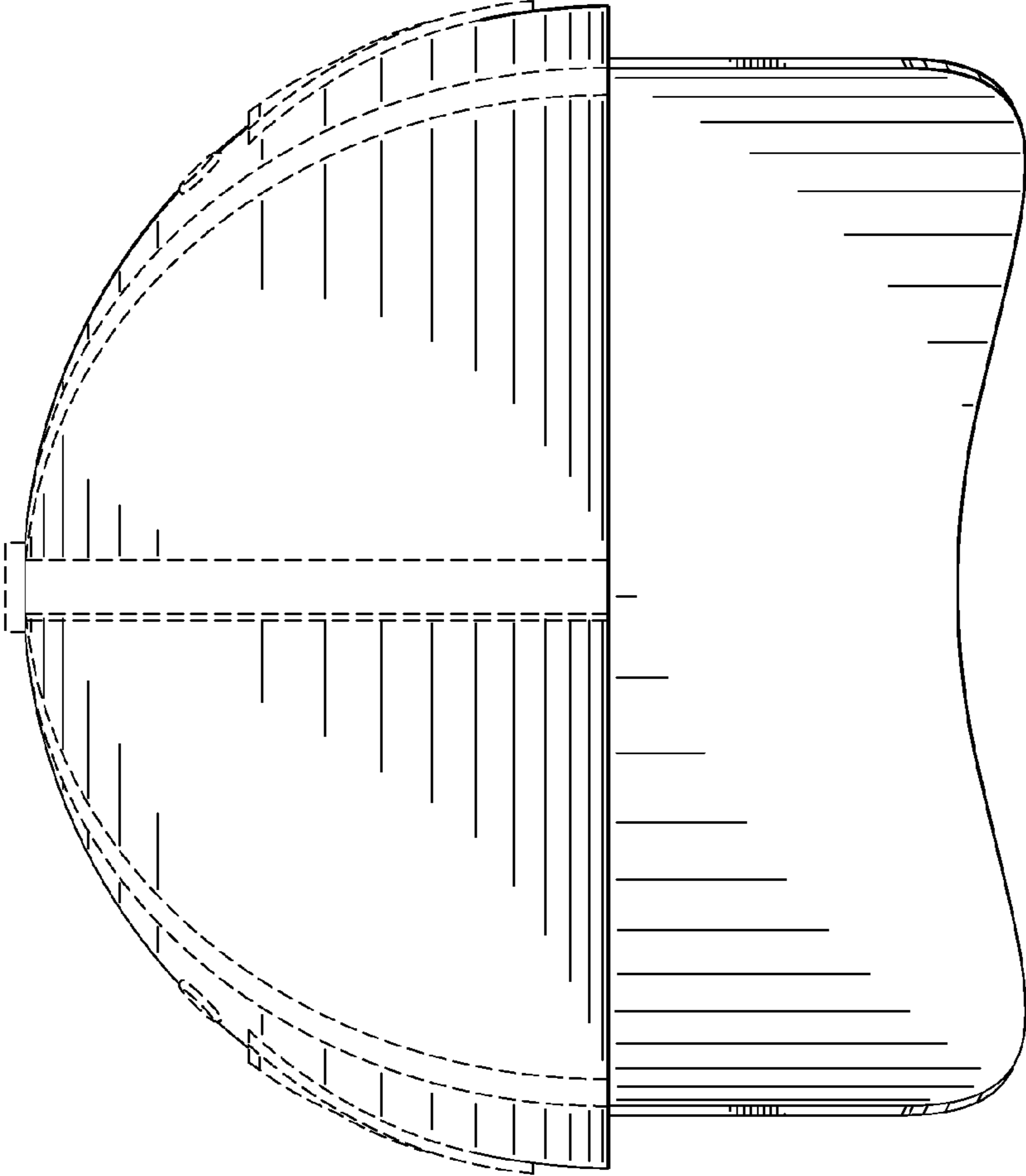


FIG. 4

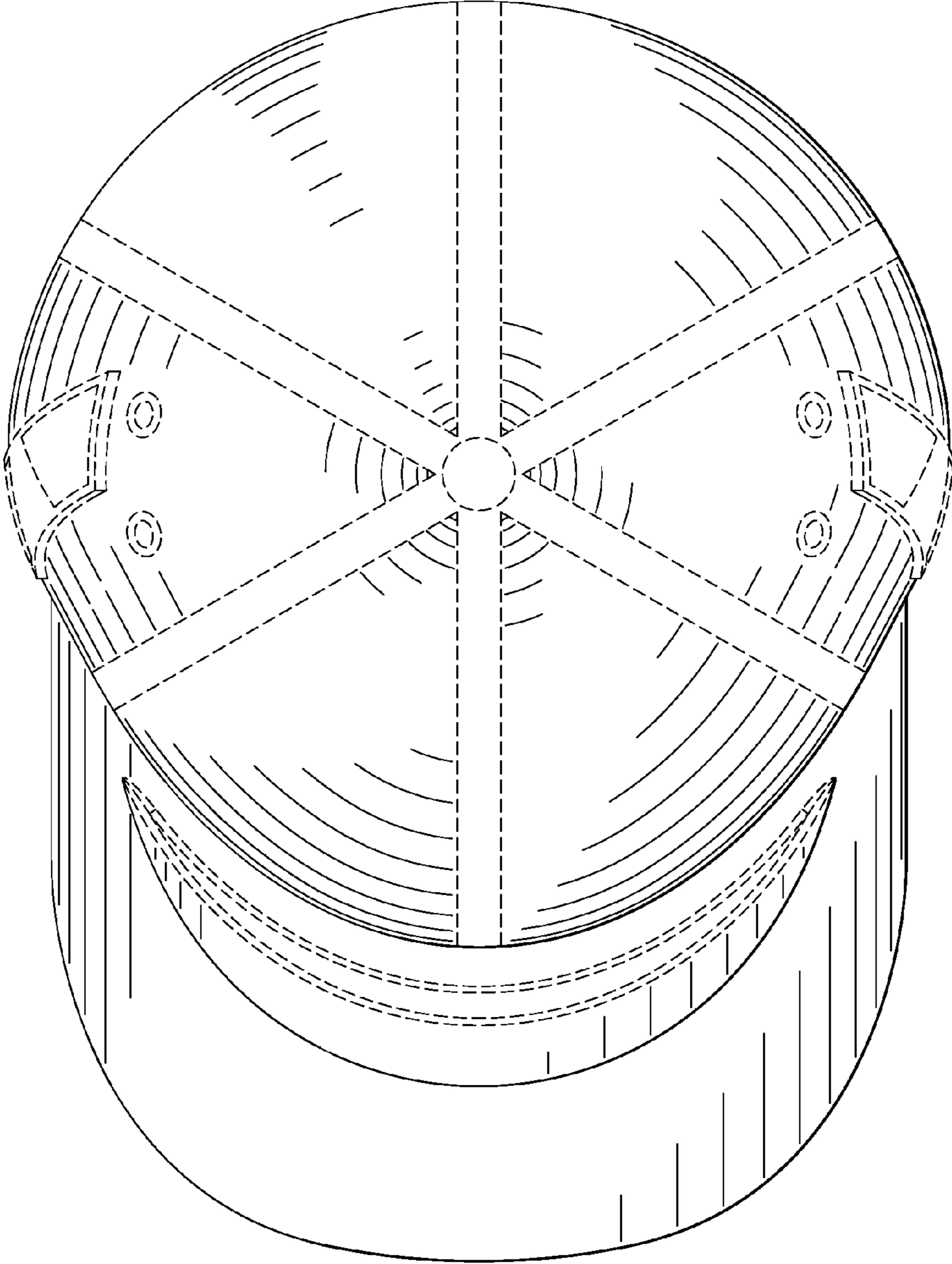


FIG. 5