



US00D630815S

(12) **United States Design Patent**
Teien

(10) **Patent No.:** **US D630,815 S**
(45) **Date of Patent:** **** Jan. 11, 2011**

(54) **CARGO PALLET**

D617,522 S * 6/2010 Teien D34/38

(75) Inventor: **Nils Martin Teien**, Toensberg (NO)

* cited by examiner

(73) Assignee: **Nordisk Aviation Products AS**,
Holmestrand (NO)

Primary Examiner—Cynthia E Ramirez
(74) *Attorney, Agent, or Firm*—Baker & Hostetler LLP

(**) Term: **14 Years**

(57) **CLAIM**

(21) Appl. No.: **29/363,352**

The ornamental design for a cargo pallet, as shown and described.

(22) Filed: **Jun. 8, 2010**

DESCRIPTION

(51) **LOC (9) Cl.** **09-08**

(52) **U.S. Cl.** **D34/38**

(58) **Field of Classification Search** D34/38;
108/51.11, 53.1, 51.3, 53.3, 56.1, 57.1, 55.3;
D7/550.1, 553.3

FIG. 1 is a front perspective view of a cargo pallet showing my new design;

FIG. 2 is a top view thereof;

FIG. 3 is a front view, the rear being identical thereof;

FIG. 4 is a right side view, with the left side being identical;

FIG. 5 is a bottom view thereof;

FIG. 6 is a detailed view of a corner of the cargo pallet thereof; and,

FIG. 7 is a cross-sectional view thereof taken from lines 7—7 in FIG. 2 showing an extrusion profile.

The broken line showing of tie-down rings is included for the purpose of illustrating environment and forms no part of the claimed design.

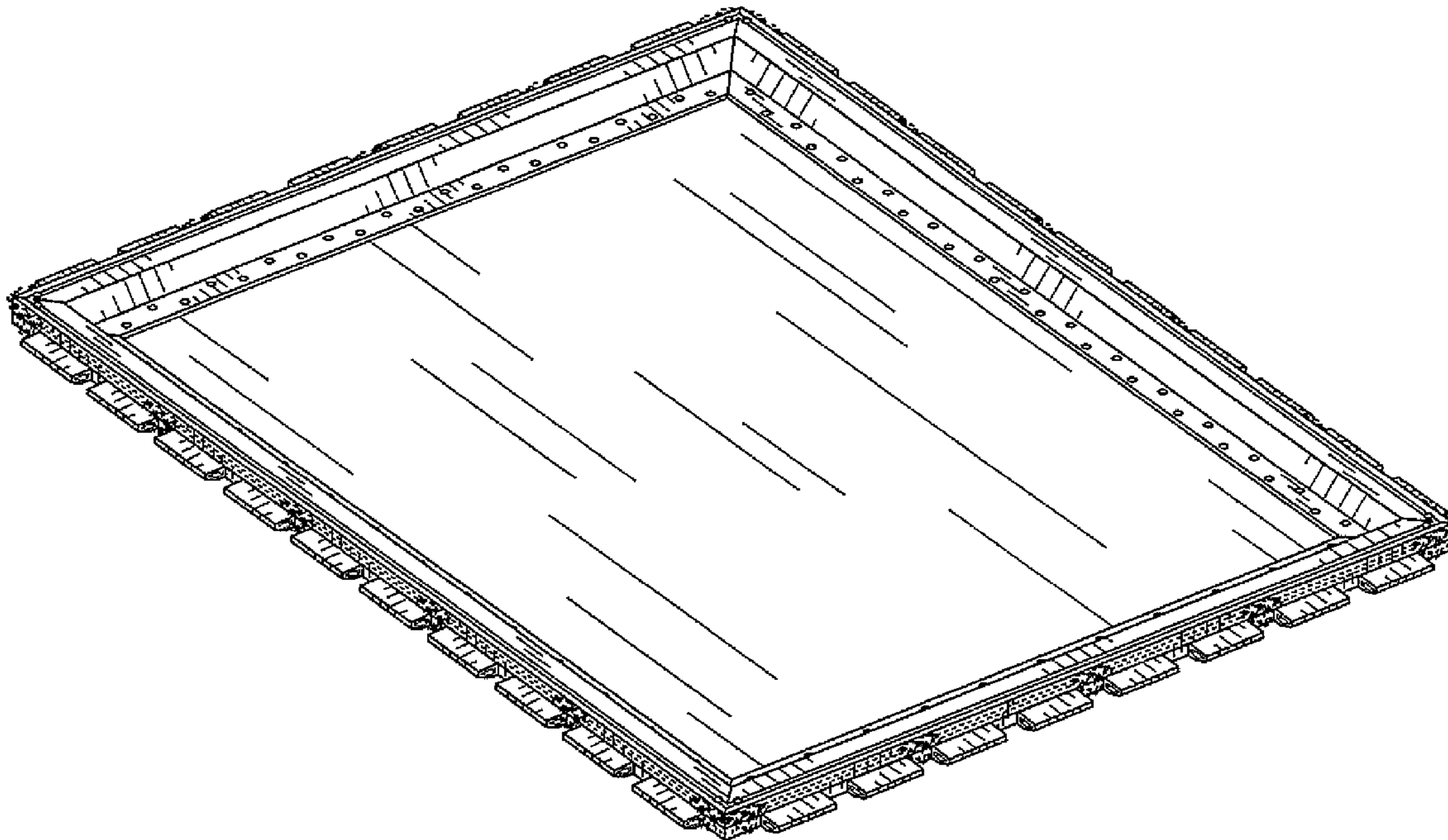
See application file for complete search history.

(56) **References Cited**

U.S. PATENT DOCUMENTS

3,327,654 A	6/1967	William et al.	108/53
3,857,342 A	12/1974	Johns	108/53
D349,798 S	8/1994	Hude et al.	D34/25
5,473,995 A	12/1995	Gottlieb	108/51.3
D379,716 S	6/1997	Zlpperle et al.	D3/304
D422,768 S	4/2000	Gunn	D34/38
D452,057 S	12/2001	French et al.	D34/38
D453,871 S	2/2002	Perry	D34/38

1 Claim, 4 Drawing Sheets



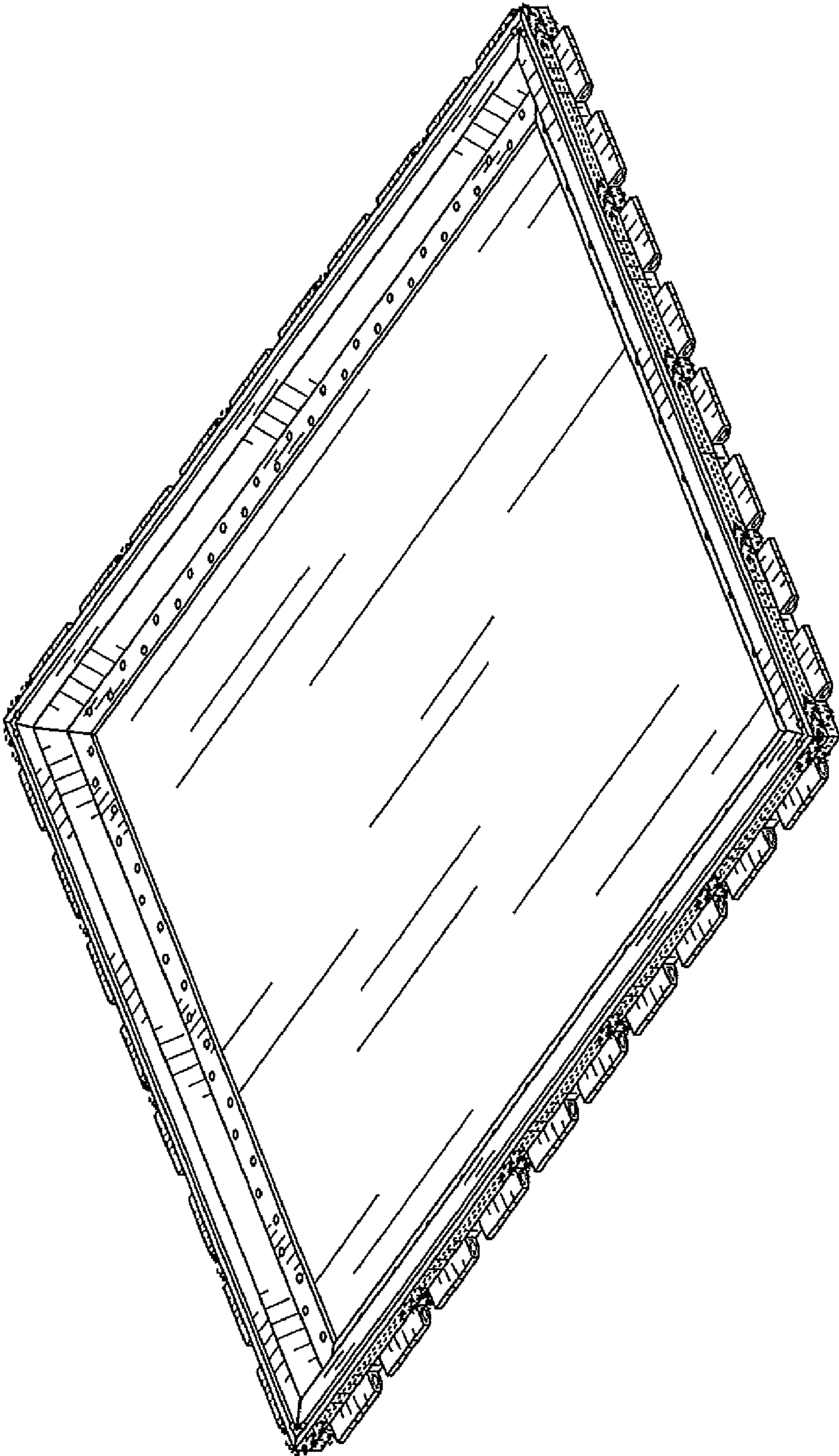
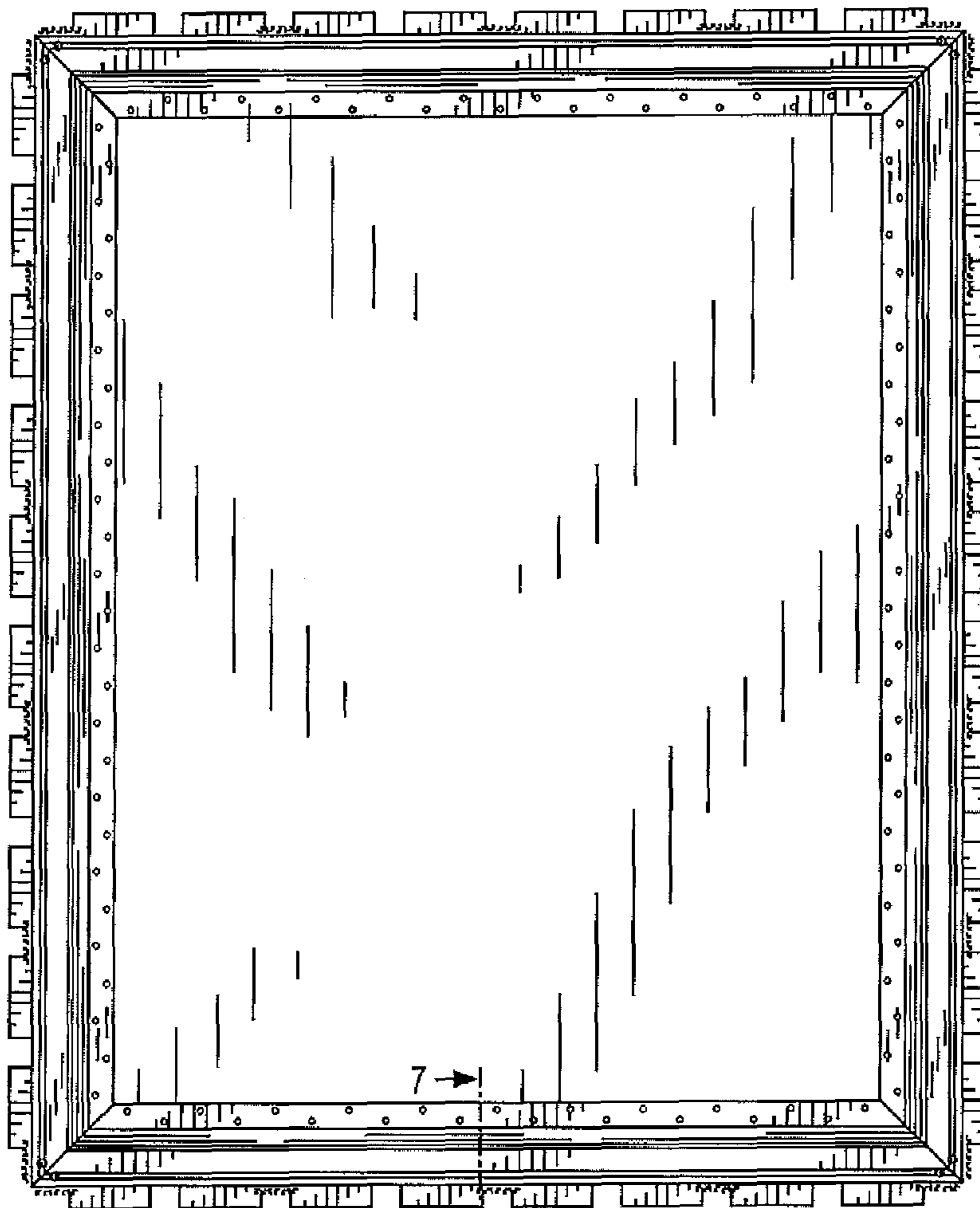


FIG. 1



FIG. 2



7 →

7 →

FIG. 3



FIG. 4

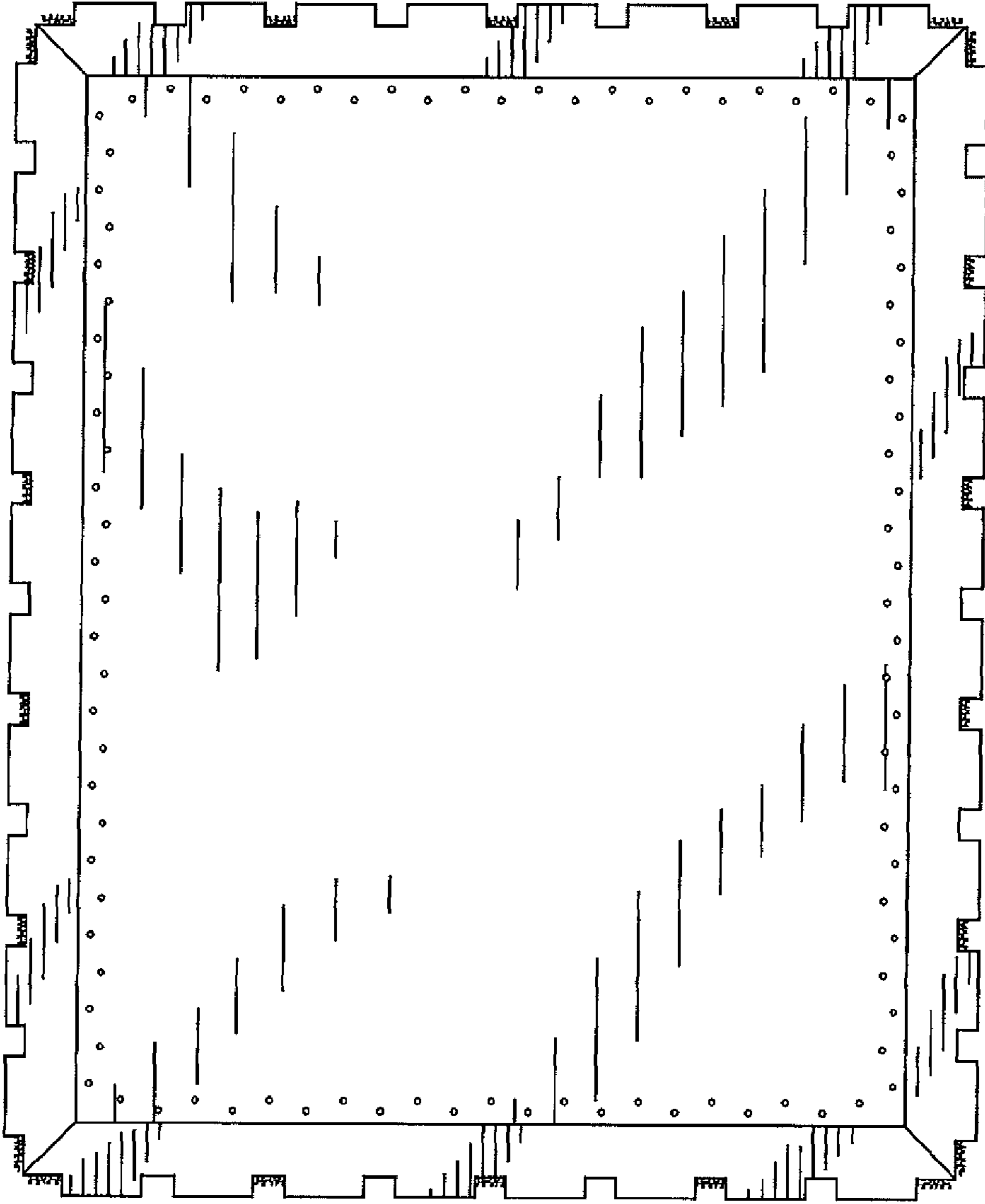


FIG. 5

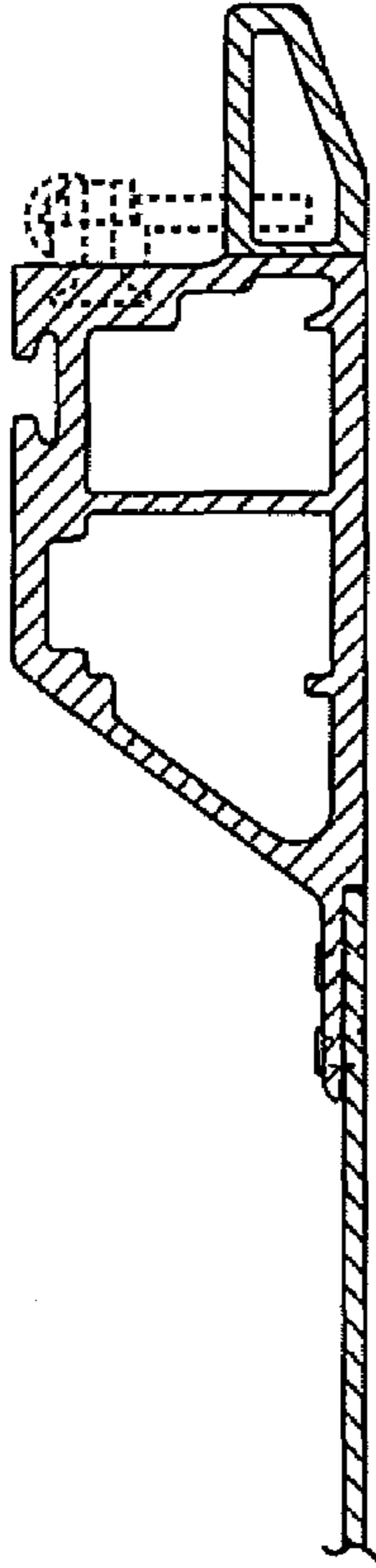


FIG. 7

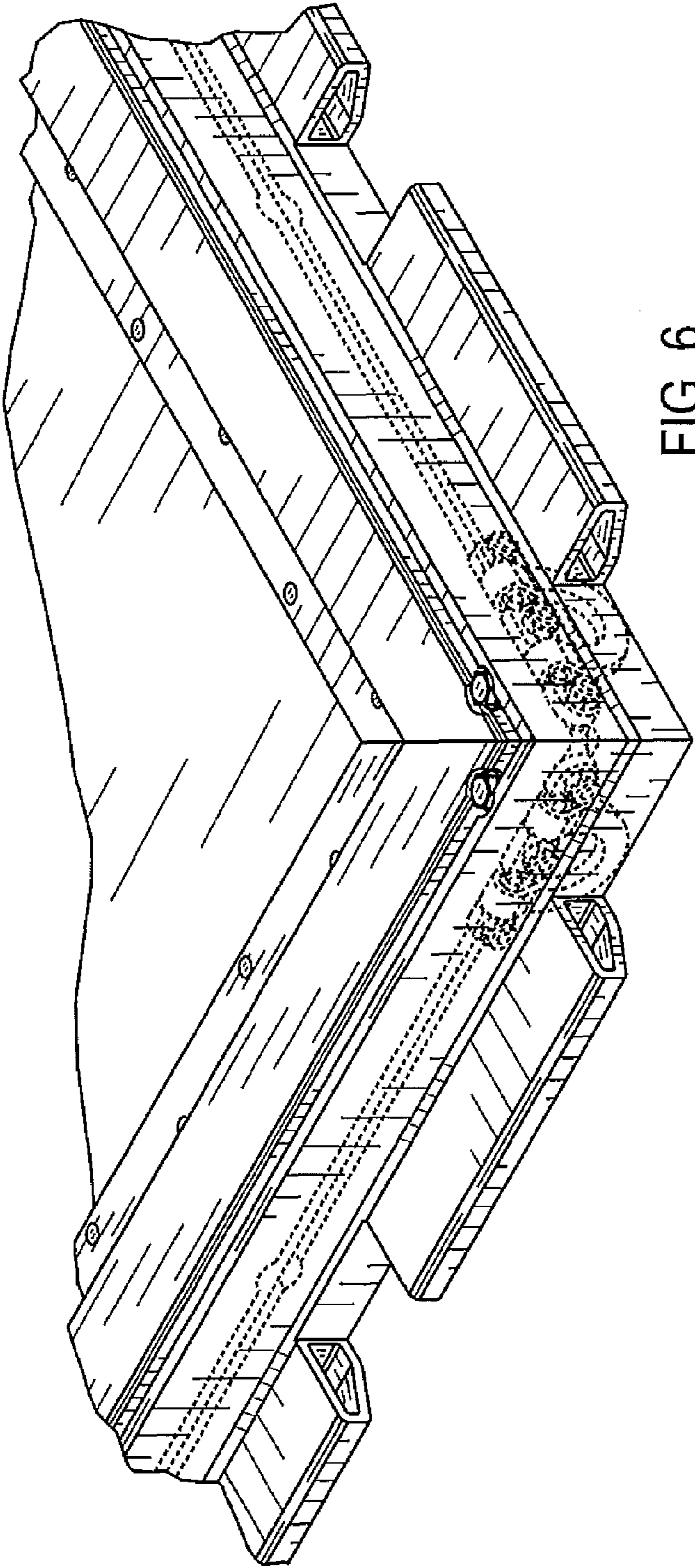


FIG. 6