



US00D630809S

(12) **United States Design Patent**
Dye et al.

(10) **Patent No.:** **US D630,809 S**
(45) **Date of Patent:** **** Jan. 11, 2011**

(54) **POOL CLEANER**

(75) Inventors: **G. Frank Dye**, Winston Salem, NC (US); **Marchal Depasquale**, Morris Plains, NJ (US); **Paul V. Watkins**, Pfafftown, NC (US); **Benoit Orban**, St-Lambert (CA); **Mario Gagnon**, Ste-Adele (CA)

(73) Assignee: **Hayward Industries, Inc.**, Elizabeth, NJ (US)

(**) Term: **14 Years**

(21) Appl. No.: **29/339,532**

(22) Filed: **Jul. 1, 2009**

(51) **LOC (9) Cl.** **15-05**

(52) **U.S. Cl.** **D32/21**

(58) **Field of Classification Search** D32/1, D32/21; 15/1.7; 29/596; 137/114, 907, 137/899; 210/167.1, 167.12, 167.15, 167.16, 210/167.18; 134/21; 180/306; 901/1; D15/7
See application file for complete search history.

(56) **References Cited**

U.S. PATENT DOCUMENTS

D144,063 S	3/1946	McAllister
D175,210 S	7/1955	Dreyfuss
D176,635 S	1/1956	Shalvoy
2,751,038 A	6/1956	Acheson
D186,872 S	12/1959	Swann
3,039,122 A	6/1962	Birdsall
3,321,787 A	5/1967	Myers
3,324,492 A	6/1967	Myers
3,337,889 A	8/1967	West
3,439,368 A	4/1969	Myers
RE26,741 E	12/1969	Myers
3,551,930 A	1/1971	Myers
3,665,942 A	5/1972	Moore
3,689,408 A	9/1972	Edmiston et al.
3,767,055 A	10/1973	Flatland
3,972,339 A	8/1976	Henkin et al.
3,979,788 A	9/1976	Strausak
4,154,680 A	5/1979	Sommer

4,168,557 A	9/1979	Rasch et al.
4,306,329 A	12/1981	Yokoi
D264,797 S	6/1982	Burglin et al.
4,351,077 A	9/1982	Hofmann
4,402,101 A	9/1983	van Zyl
4,431,538 A	2/1984	Selsted
4,589,986 A	5/1986	Greskovics et al.
4,645,593 A	2/1987	Dunk et al.
4,651,376 A	3/1987	Ford
4,652,366 A	3/1987	Brooks

(Continued)

FOREIGN PATENT DOCUMENTS

AU 704603 1/1997

(Continued)

OTHER PUBLICATIONS

Tiger Shark Owner's Manual (Mar. 2007) (16 pages).

(Continued)

Primary Examiner—Ruth McInroy

(74) *Attorney, Agent, or Firm*—McCarter & English, LLP

(57) **CLAIM**

The ornamental design for a pool cleaner, as shown and described.

DESCRIPTION

FIG. 1 is a perspective view of a pool cleaner showing my new design;

FIG. 2 is a front elevational view thereof;

FIG. 3 is a rear elevational view thereof;

FIG. 4 is a right side elevational view thereof;

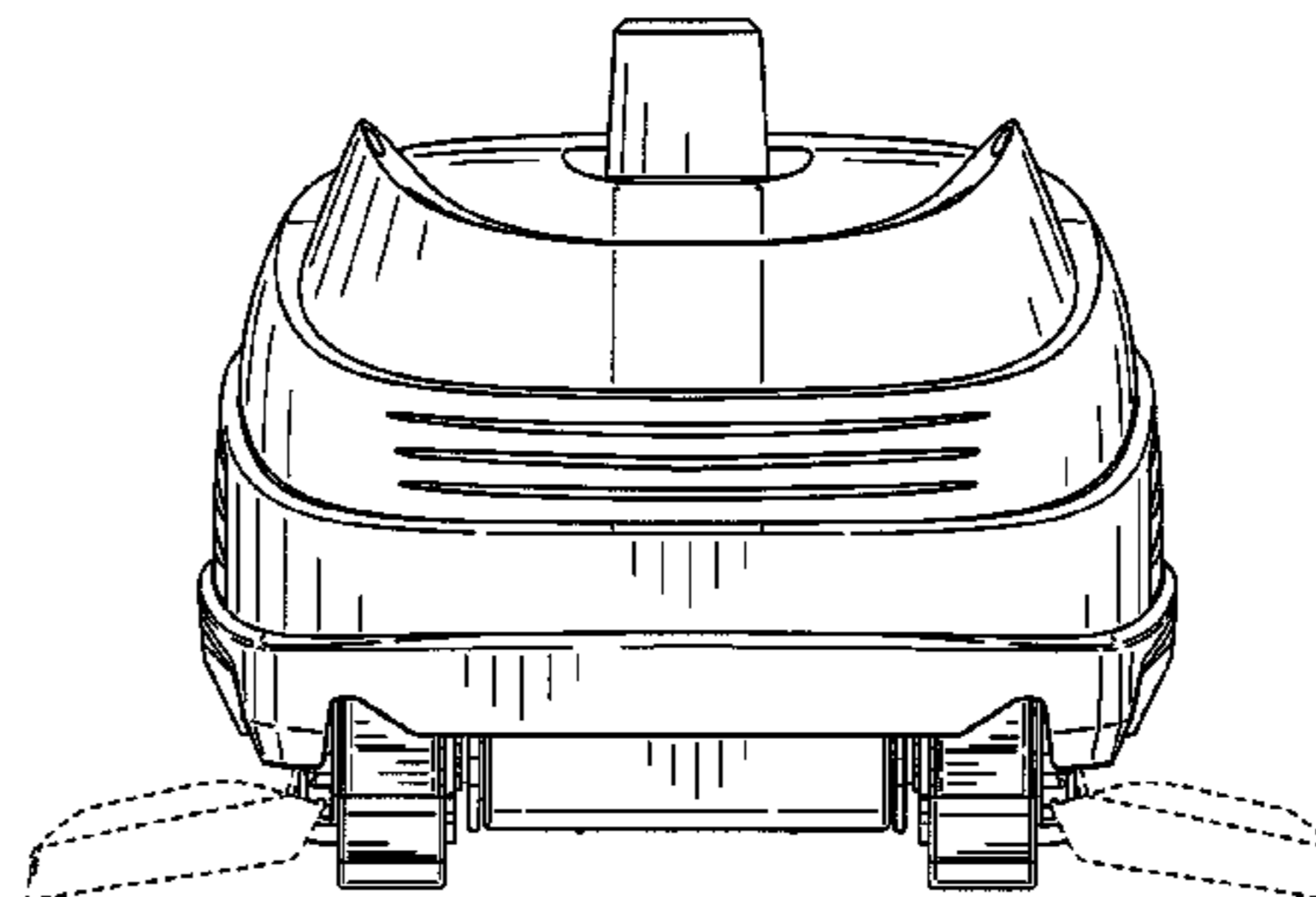
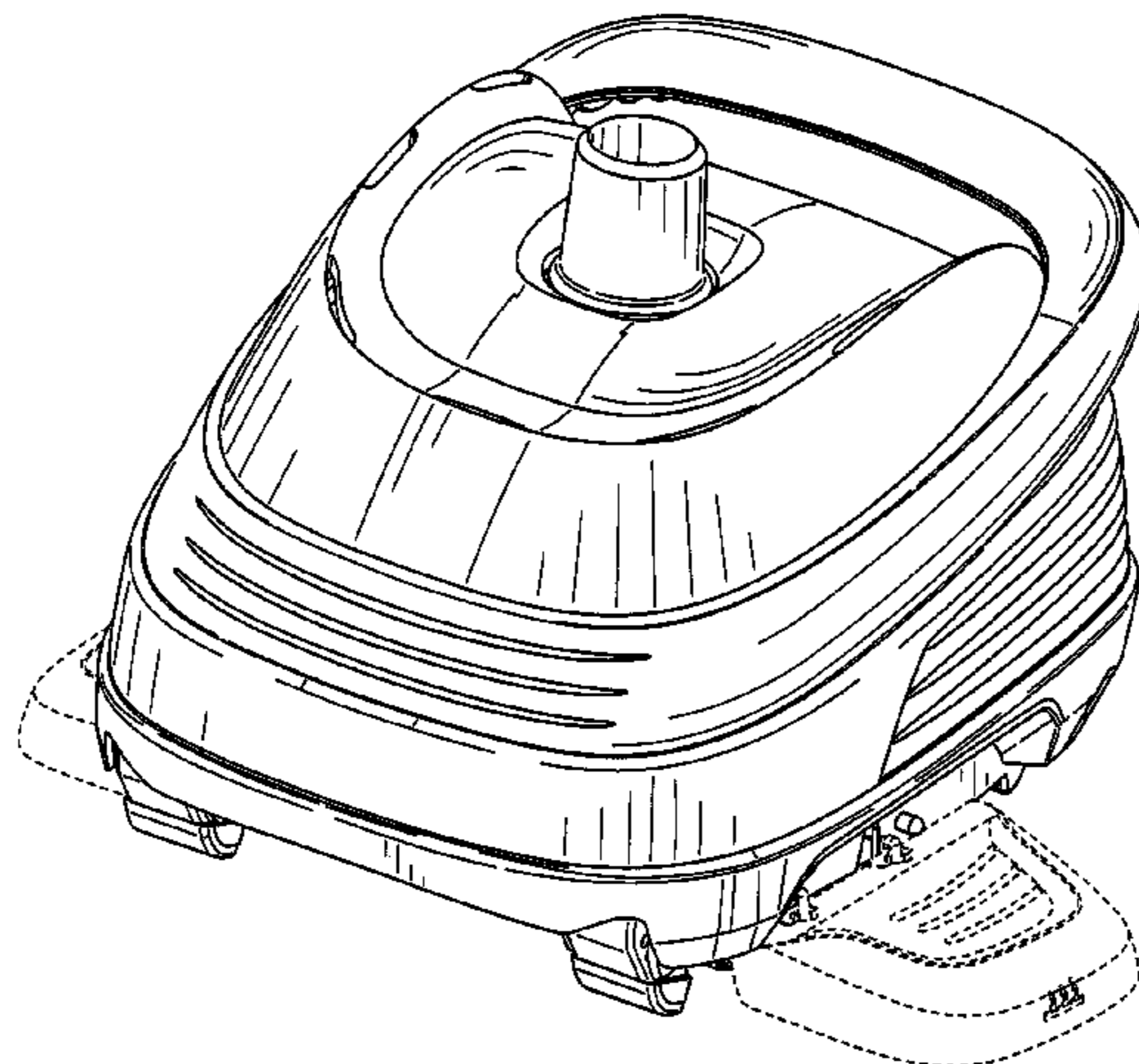
FIG. 5 is a left side elevational view thereof;

FIG. 6 is a top plan view thereof; and,

FIG. 7 is a bottom plan view thereof.

The details shown in broken lines form no part of the claimed design.

1 Claim, 4 Drawing Sheets



US D630,809 S

U.S. PATENT DOCUMENTS			FOREIGN PATENT DOCUMENTS		
4,692,956 A	9/1987	Kassis	6,280,611 B1	8/2001	Henkin et al.
4,761,848 A	8/1988	Hofmann	6,299,699 B1	10/2001	Porat et al.
4,768,532 A	9/1988	Johnson	6,365,039 B1	4/2002	Henkin et al.
4,769,867 A	9/1988	Stoltz	6,387,250 B1	5/2002	Henkin et al.
4,776,953 A	10/1988	Frentzel	6,398,878 B1	6/2002	Henkin et al.
4,807,318 A	2/1989	Kallenbach	6,409,916 B1	6/2002	Zelas et al.
4,849,024 A	7/1989	Supra	6,412,133 B1	7/2002	Erlich et al.
D304,505 S *	11/1989	Maier et al. D32/1	D463,889 S	10/2002	Buzzi
D315,624 S	3/1991	Kimura et al.	6,473,927 B1	11/2002	Sommer
5,014,382 A	5/1991	Kallenbach	6,485,638 B2	11/2002	Henkin et al.
5,093,950 A	3/1992	Heier	D469,589 S *	1/2003	Wichmann et al. D32/15
5,099,535 A	3/1992	Chauvier et al.	D471,330 S *	3/2003	Campbell D32/15
D325,452 S	4/1992	Gefter	D474,312 S	5/2003	Stephens et al.
D325,796 S	4/1992	Kallenbach	6,601,255 B1	8/2003	van der Meyden et al.
5,105,496 A	4/1992	Gray, Jr. et al.	D481,181 S	10/2003	Lath et al.
5,172,445 A	12/1992	Chandler	6,652,742 B2	11/2003	Henkin et al.
5,197,158 A	3/1993	Moini	6,742,613 B2	6/2004	Erlich et al.
5,226,205 A	7/1993	Pearce	6,758,226 B2	7/2004	Porat
5,265,297 A	11/1993	Gould et al.	6,815,918 B2	11/2004	Porat et al.
D346,888 S	5/1994	Stone	6,842,931 B2 *	1/2005	Porat et al. 15/1.7
D349,150 S	7/1994	Garrigos Ruiz	6,886,205 B1	5/2005	Pichon
5,337,434 A	8/1994	Erlich	6,954,960 B2	10/2005	Pichon
5,351,355 A	10/1994	Chiniara	6,965,814 B2	11/2005	Hadari
5,412,826 A	5/1995	Raubenheimer	6,971,136 B2	12/2005	Horvath et al.
5,435,031 A	7/1995	Minami et al.	6,979,400 B2	12/2005	Bauckman et al.
D361,178 S	8/1995	Piret	7,039,980 B2	5/2006	Van Der Meyden et al.
5,450,644 A	9/1995	Berman	D524,495 S	7/2006	Ljunggren
5,450,645 A	9/1995	Atkins	D526,101 S *	8/2006	Blanc-Tailleur D32/16
5,454,129 A *	10/1995	Kell 15/1.7	7,089,876 B2	8/2006	Porat
5,507,058 A	4/1996	Minami et al.	7,103,449 B2	9/2006	Woo et al.
5,546,982 A	8/1996	Clark et al.	D529,669 S *	10/2006	Blanc-Tailleur D32/1
5,554,277 A	9/1996	Rief et al.	7,117,554 B2	10/2006	Pichon
5,569,371 A	10/1996	Perling	7,118,632 B2	10/2006	Sumonthee
D375,592 S	11/1996	Ljunggren	7,118,678 B2	10/2006	Porat
D376,450 S	12/1996	Campbell et al.	7,143,502 B2 *	12/2006	Porat et al. 29/596
5,604,950 A	2/1997	Stern	7,165,284 B2	1/2007	Erlich et al.
5,617,600 A	4/1997	Frattini	D537,576 S	2/2007	Koury et al.
5,634,229 A	6/1997	Stoltz	7,213,287 B2	5/2007	Hui
D384,782 S *	10/1997	Gefter D32/21	D550,906 S	9/2007	Fritz et al.
5,720,068 A	2/1998	Clark et al.	7,316,751 B2	1/2008	Horvath et al.
5,771,987 A	6/1998	Marbach	7,318,448 B2	1/2008	Fleischer et al.
5,802,653 A	9/1998	Roumagnac	7,395,571 B2	7/2008	Van Der Meijden et al.
5,810,999 A	9/1998	Bachand et al.	D575,915 S *	8/2008	Dreyer D32/15
D400,319 S *	10/1998	Hofheins et al. D32/1	D598,168 S *	8/2009	Sumonthee D32/21
5,842,243 A	12/1998	Horvath et al.	D599,967 S *	9/2009	Blanc-Tailleur D32/1
5,882,512 A	3/1999	Denkewicz, Jr. et al.	7,677,268 B2 *	3/2010	Griffin et al. 137/624.14
D408,104 S *	4/1999	Adam D32/1	2002/0116772 A1	8/2002	Phillipson et al.
5,930,856 A	8/1999	Van Der Meyden et al.	2003/0177594 A1	9/2003	Van Der Meyden et al.
5,935,179 A	8/1999	Kleiner et al.	2004/0021439 A1	2/2004	Porat et al.
5,961,822 A	10/1999	Polimeni, Jr.	2004/0216251 A1	11/2004	Van Der Meijden et al.
D417,322 S *	11/1999	Hollinger D32/1	2006/0101596 A1	5/2006	Hui et al.
5,985,156 A	11/1999	Henkin et al.	2006/0207041 A1	9/2006	Van Der Meyden et al.
5,996,906 A	12/1999	Cooper	2006/0225768 A1	10/2006	Erlich et al.
D418,640 S *	1/2000	Veloskey et al. D32/1	2007/0028405 A1	2/2007	Garti
6,013,178 A	1/2000	Strano et al.	2007/0056124 A1	3/2007	Wichmann et al.
6,039,886 A	3/2000	Henkin et al.	2007/0067930 A1	3/2007	Garti
6,049,933 A	4/2000	McLaughlin	2007/0094817 A1	5/2007	Stoltz et al.
6,090,219 A	7/2000	Henkin et al.	2007/0251032 A1	11/2007	Pichon et al.
D430,368 S	8/2000	Porat et al.	2007/0251859 A1	11/2007	Zhu
6,094,764 A	8/2000	Veloskey et al.	2007/0272274 A1	11/2007	Adam et al.
D430,960 S	9/2000	van der Meyden et al.	2008/0087299 A1	4/2008	Erlich et al.
D430,962 S	9/2000	Porat et al.	2008/0128343 A1	6/2008	Garti
6,112,354 A	9/2000	Stoltz et al.	2008/0222821 A1	9/2008	Pichon
6,115,864 A	9/2000	Davidsson et al.	2008/0235887 A1	10/2008	Horvath et al.
6,125,492 A	10/2000	Prowse	2008/0236628 A1	10/2008	Horvath et al.
D433,545 S *	11/2000	Hollinger et al. D32/1	2009/0255069 A1 *	10/2009	Hui 15/1.7
6,155,657 A	12/2000	Erlich et al.	2010/0122422 A1 *	5/2010	Hui 15/1.7
D436,700 S	1/2001	Forbes et al.			
6,206,547 B1	3/2001	Erlich	EP	0314259	5/1989
6,212,725 B1 *	4/2001	Porat 15/1.7	EP	0426365	5/1991
D445,225 S *	7/2001	Schaub D32/15	EP	0468876	1/1992

US D630,809 S

Page 3

EP	0990749	4/2000
FR	2584442	1/1987
FR	2693499	1/1994
WO	WO 99/63185	12/1999

Digital Image of Pool Rover Cleaner (more than one year prior to Sep. 16, 2008) (1 page).

Digital Image of Robby Cleaner (more than one year prior to Sep. 16, 2008) (1 page).

Digital Image of Dolphin Cleaner (more than one year prior to Sep. 16, 2008) (1 page).

Digital Image of Merlin Cleaner (more than one year prior to Sep. 16, 2008) (1 page).

Digital Image of Aquabot Cleaner (more than one year prior to Sep. 16, 2008) (1 page).

Preliminary Amendment and Replacement Drawings filed in co-pending U.S. Appl. No. 29/315,518, filed Dec. 9, 2009 (8 pages).

OTHER PUBLICATIONS

Co-Owned U.S. Appl. No. 12/211,720, entitled: "Apparatus for Facilitating Maintenance of a Pool Cleaning Device," filed on Sep. 16, 2008 (46 pages).

Co-Owned U.S. Appl. No. 29/315,518 entitled: "Pool Cleaner," filed Jul. 1, 2009 (5 pages).

Digital Image of Squirrel Cleaner (more than one year prior to Sep. 16, 2008) (1 page).

* cited by examiner

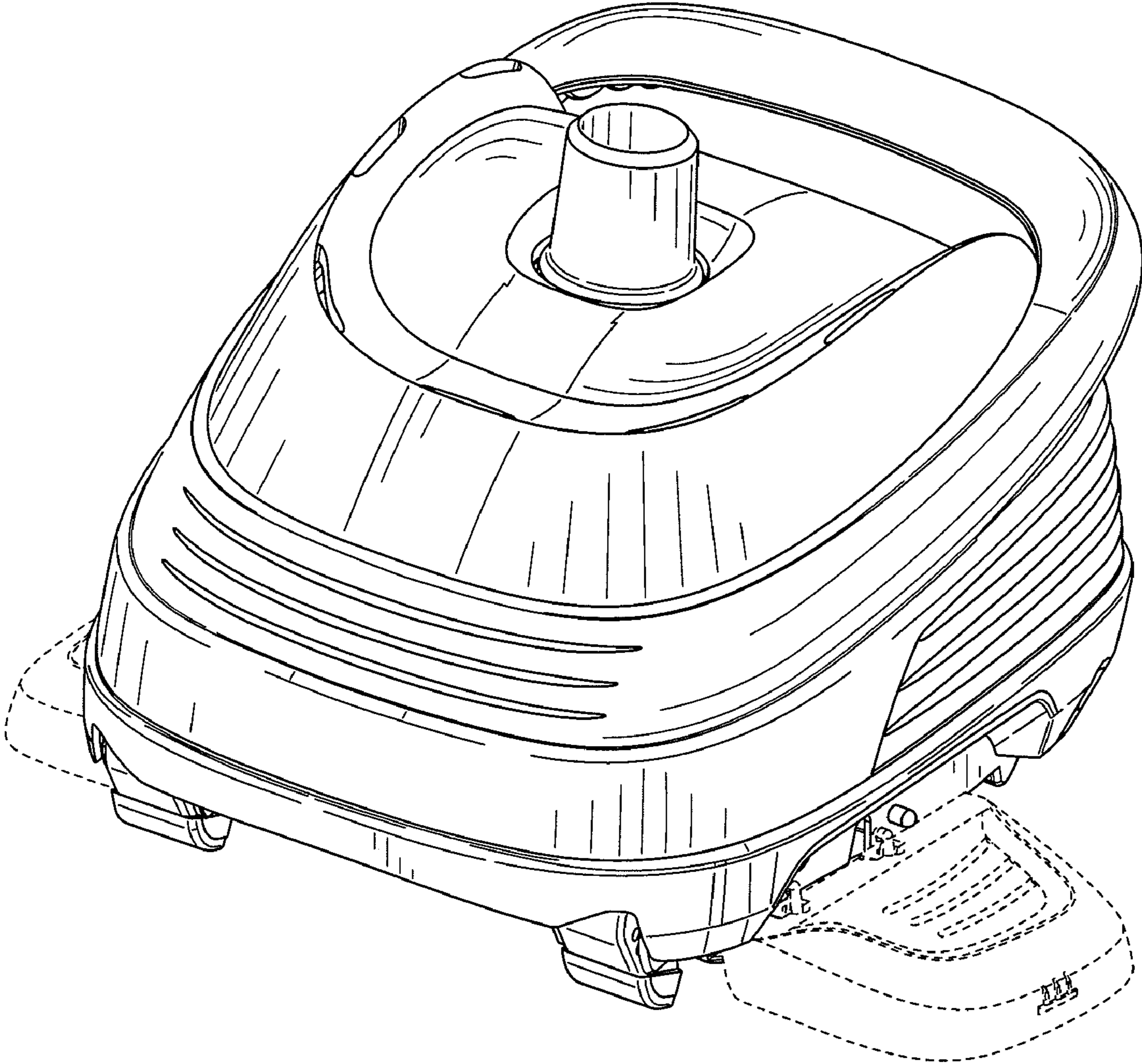


FIG. 1

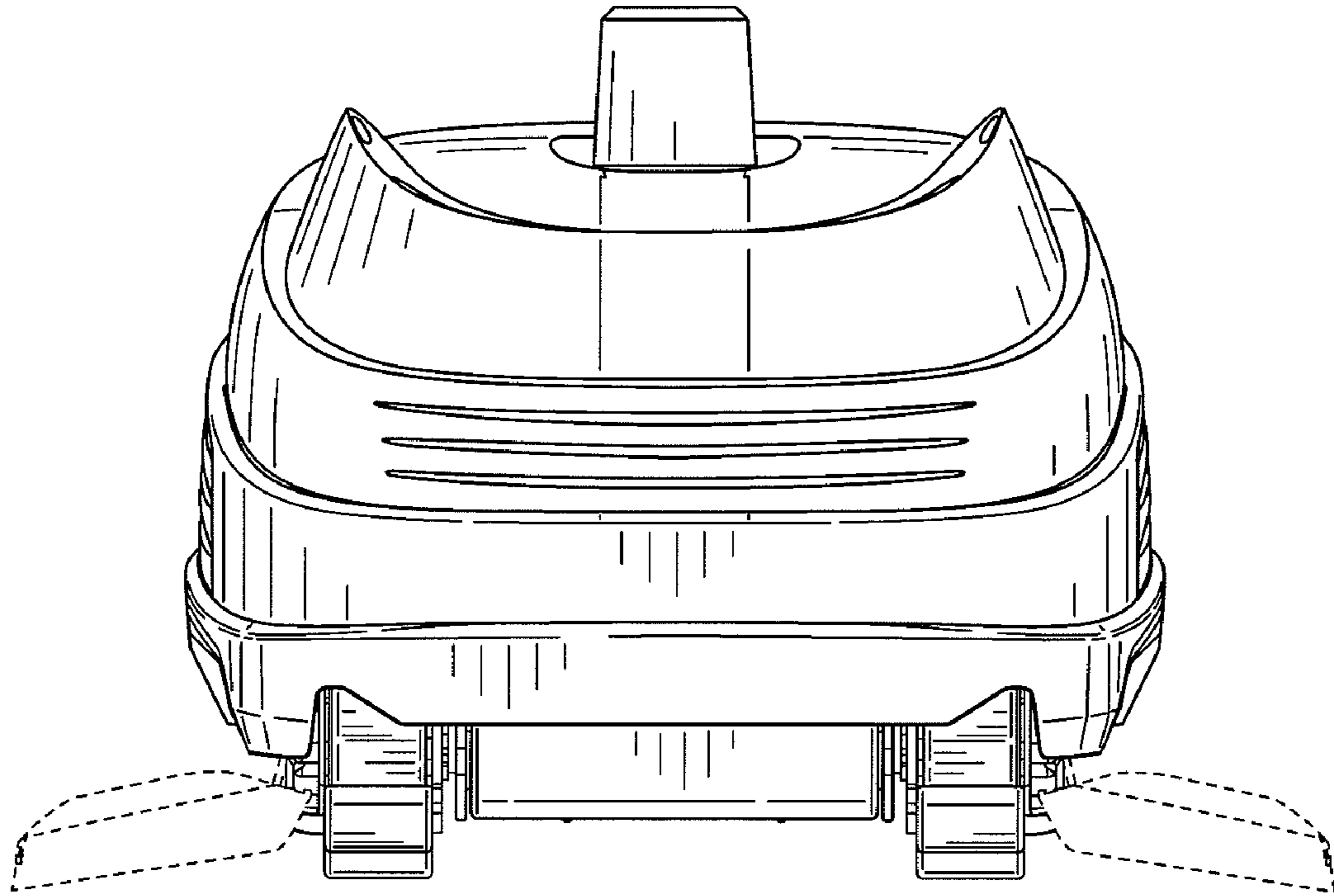


FIG. 2

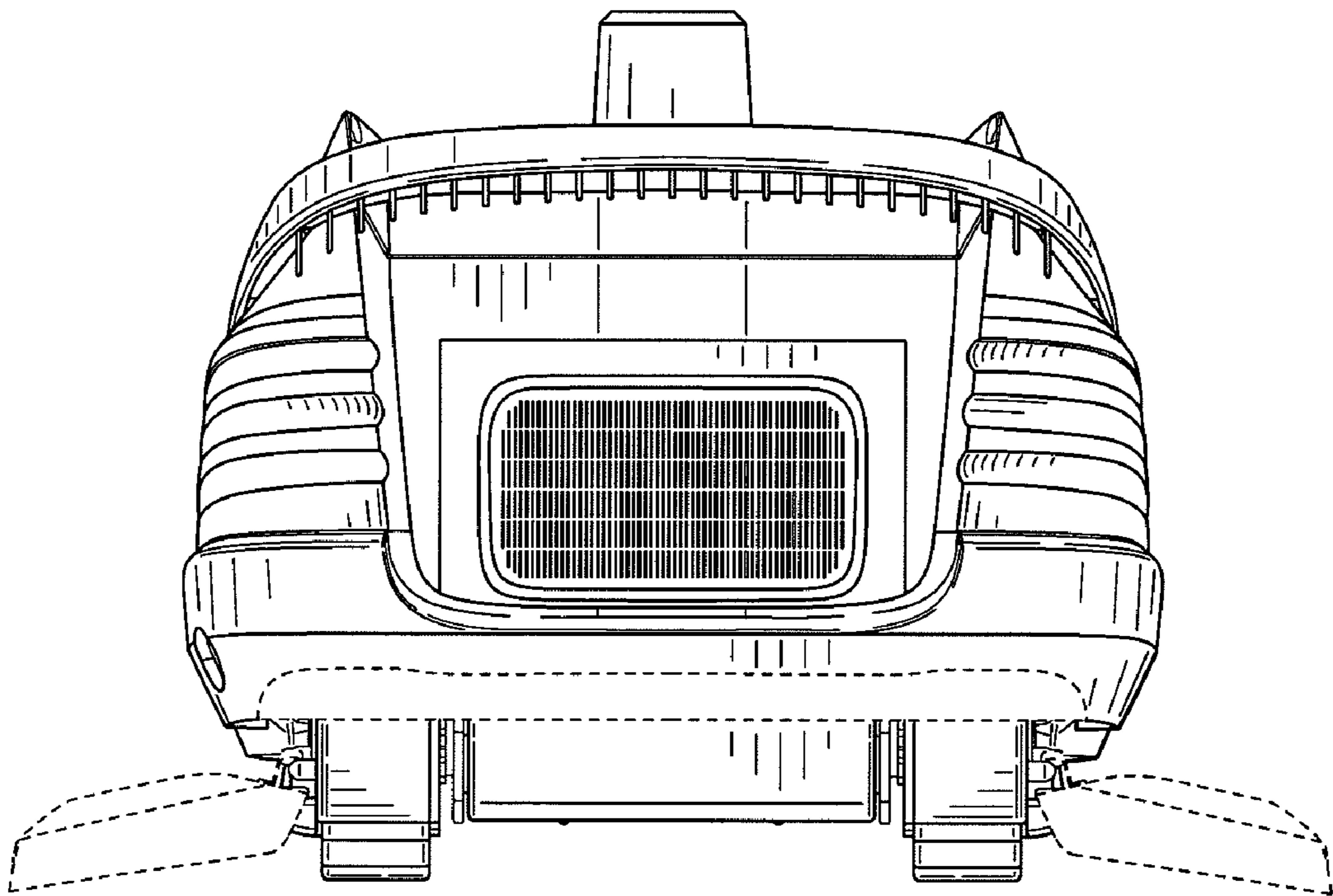


FIG. 3

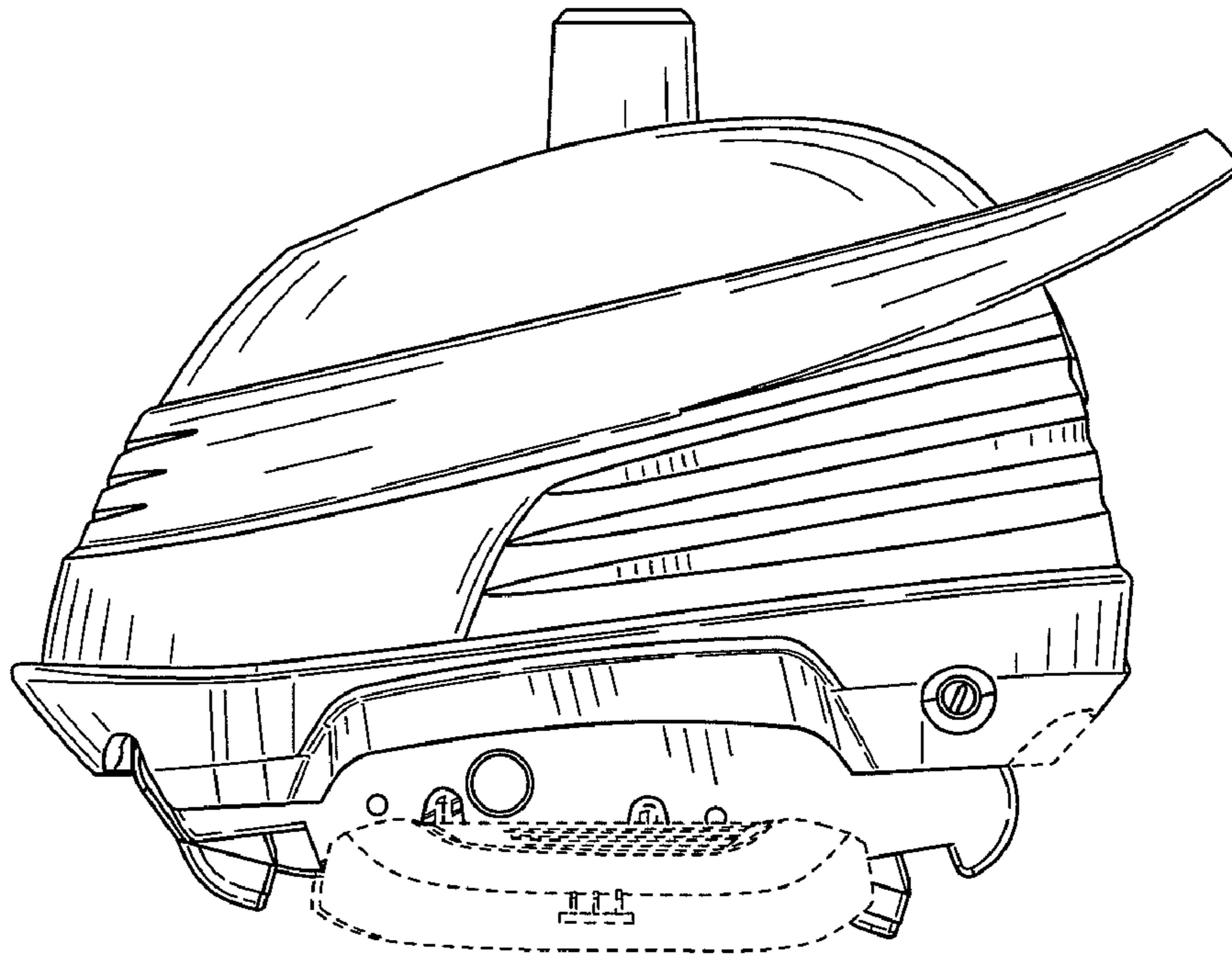


FIG. 4

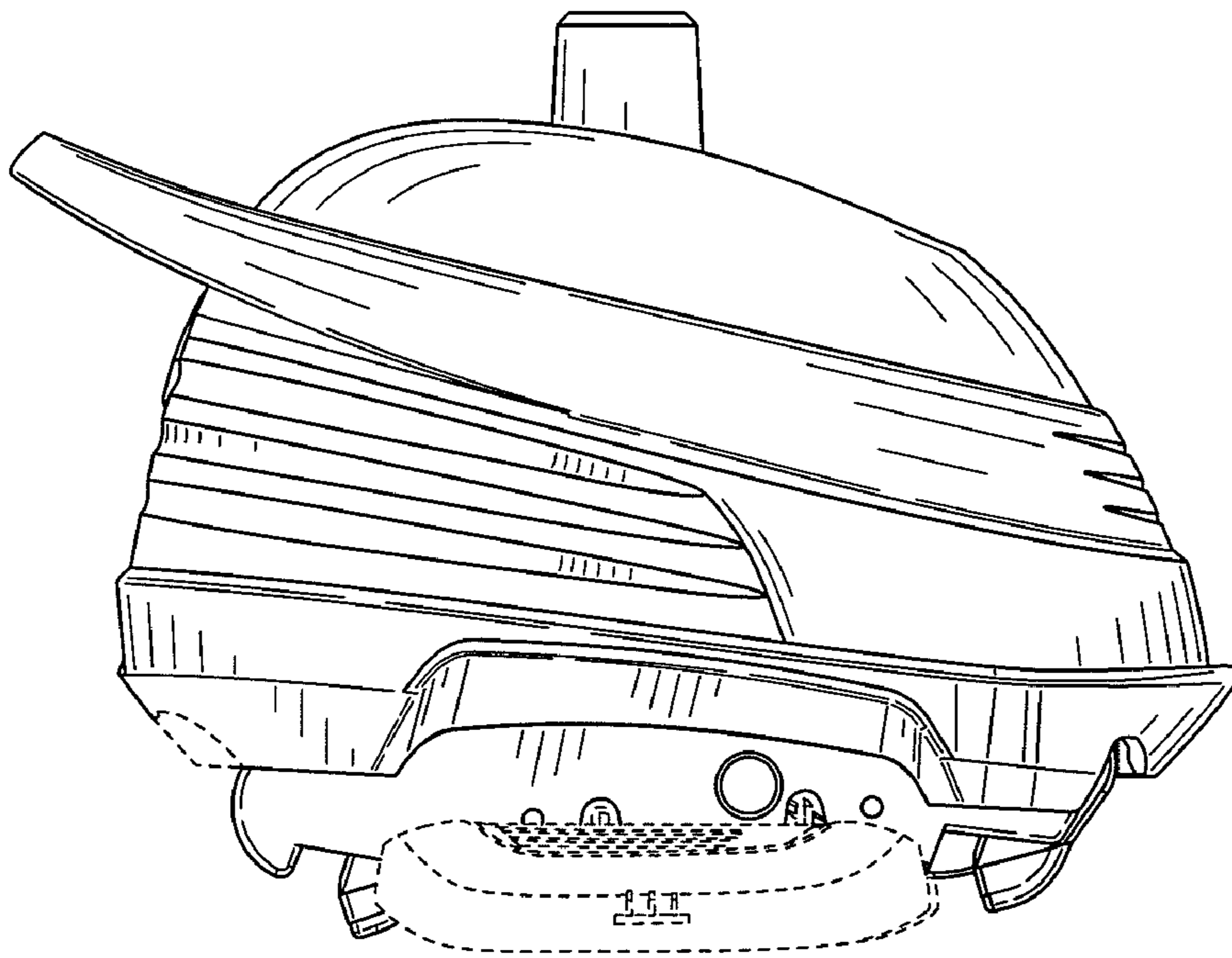


FIG. 5

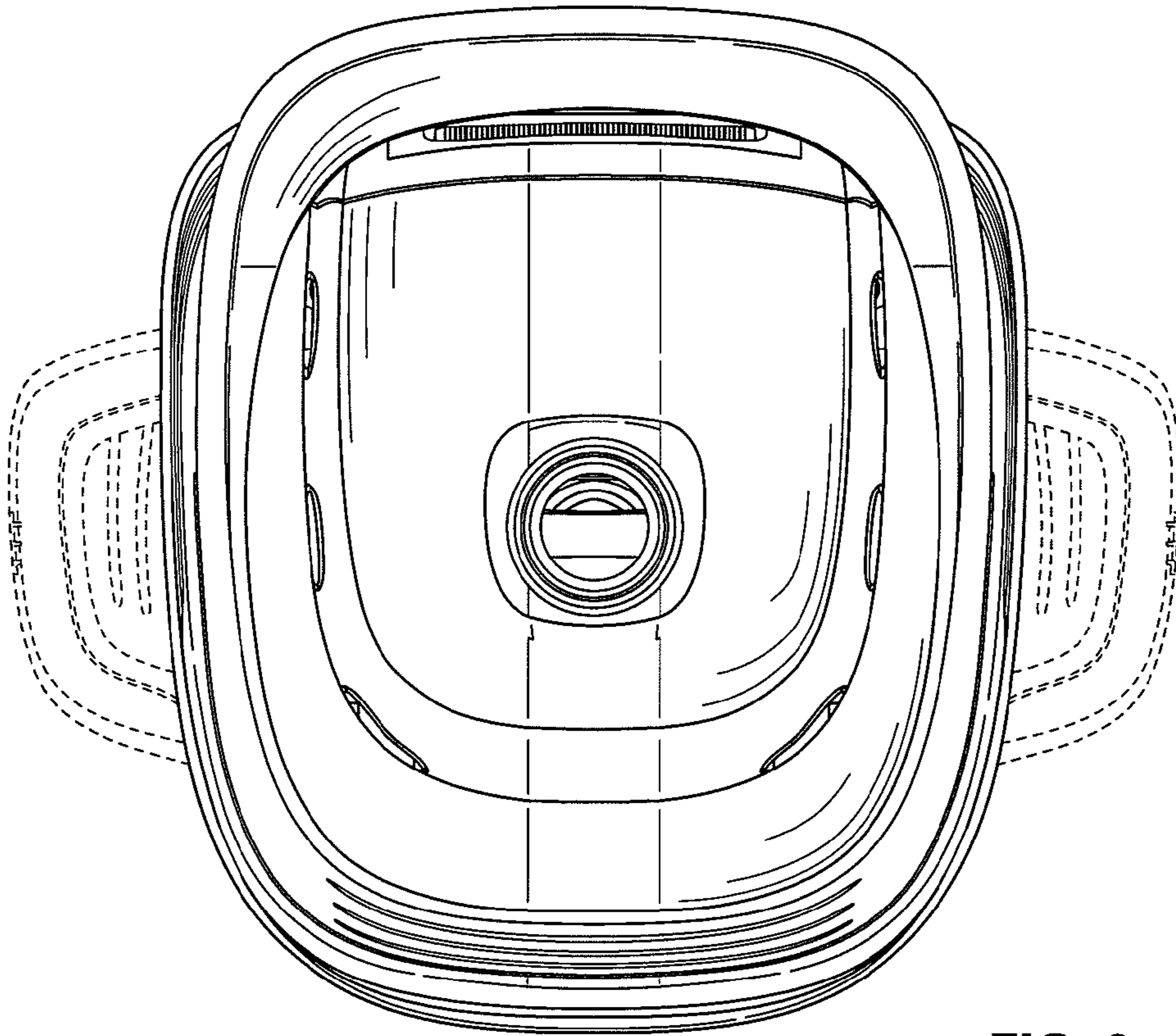


FIG. 6

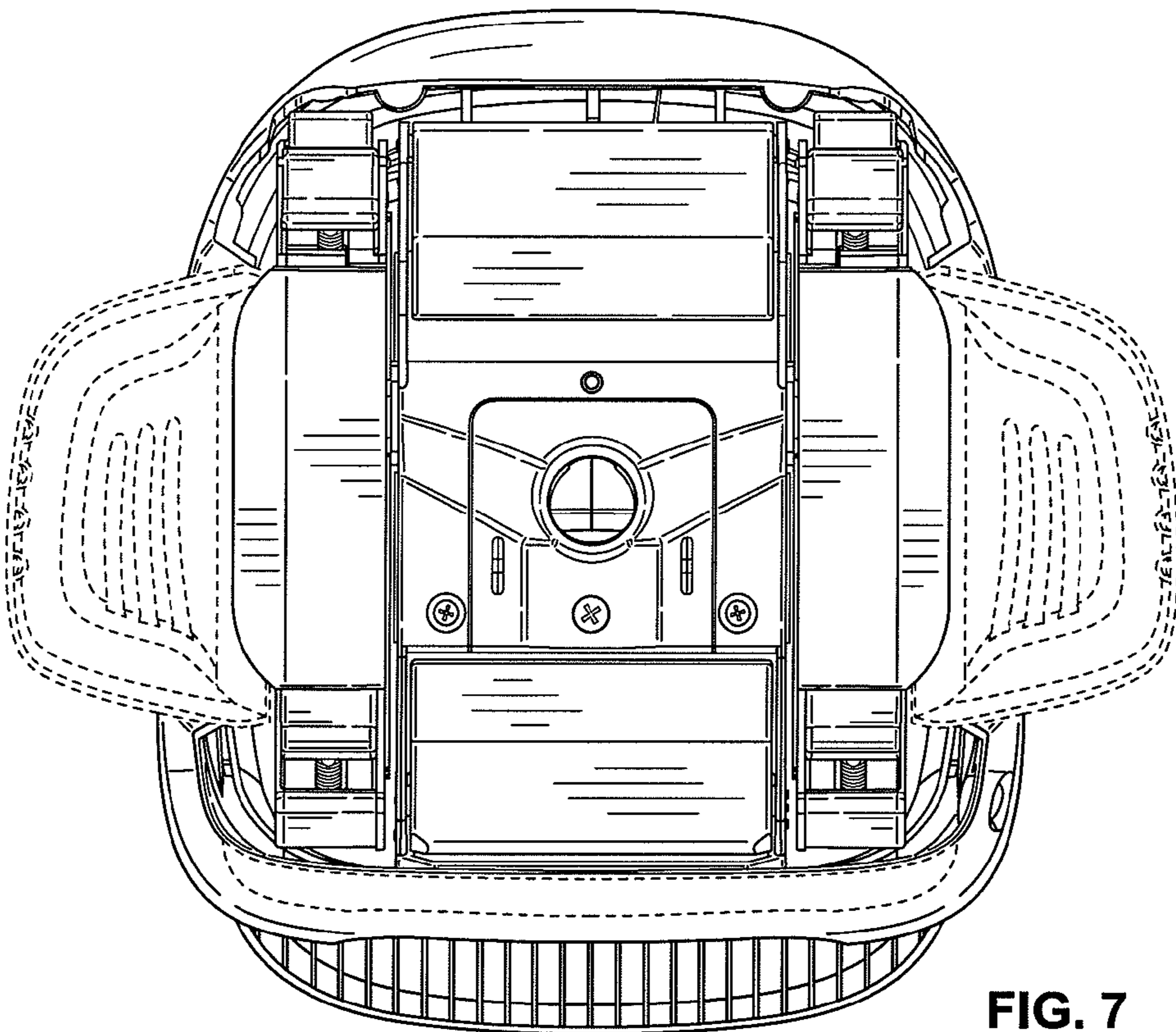


FIG. 7