



US00D630808S

(12) **United States Design Patent**  
**Dye et al.**

(10) **Patent No.:** **US D630,808 S**  
(45) **Date of Patent:** **\*\* Jan. 11, 2011**

(54) **POOL CLEANER**

(75) Inventors: **G. Frank Dye**, Winston Salem, NC (US); **Marchal Depasquale**, Morris Plains, NJ (US); **Paul V. Watkins**, Pfafftown, NC (US); **Benoit Orban**, St-Lambert (CA); **Mario Gagnon**, Ste-Adele (CA)

(73) Assignee: **Hayward Industries, Inc.**, Elizabeth, NJ (US)

(\*\*) Term: **14 Years**

(21) Appl. No.: **29/315,518**

(22) Filed: **Jul. 1, 2009**

(51) **LOC (9) Cl.** ..... **15-05**

(52) **U.S. Cl.** ..... **D32/21**

(58) **Field of Classification Search** ..... D32/1, D32/21; 15/1.7; 29/596; 137/114, 907, 137/899; 210/167.1, 167.12, 167.15, 167.16, 210/167.18; 134/21; 180/306; 901/1; D15/7  
See application file for complete search history.

(56) **References Cited**

**U.S. PATENT DOCUMENTS**

D144,063 S	3/1946	McAllister
D175,210 S	7/1955	Dreyfuss
D176,635 S	1/1956	Shalvoy
2,751,038 A	6/1956	Acheson
D186,872 S	12/1959	Swann
3,039,122 A	6/1962	Birdsall
3,321,787 A	5/1967	Myers
3,324,492 A	6/1967	Myers
3,337,889 A	8/1967	West
3,439,368 A	4/1969	Myers
RE26,741 E	12/1969	Myers
3,551,930 A	1/1971	Myers
3,665,942 A	5/1972	Moore
3,689,408 A	9/1972	Edmiston et al.
3,767,055 A	10/1973	Flatland
3,972,339 A	8/1976	Henkin et al.
3,979,788 A	9/1976	Strausak
4,154,680 A	5/1979	Sommer

4,168,557 A	9/1979	Rasch et al.
4,306,329 A	12/1981	Yokoi
D264,797 S	6/1982	Burglin et al.
4,351,077 A	9/1982	Hofmann
4,402,101 A	9/1983	van Zyl
4,431,538 A	2/1984	Selsted
4,589,986 A	5/1986	Greskovics et al.
4,645,593 A	2/1987	Dunk et al.
4,651,376 A	3/1987	Ford
4,652,366 A	3/1987	Brooks

(Continued)

**FOREIGN PATENT DOCUMENTS**

AU 704603 1/1997

(Continued)

**OTHER PUBLICATIONS**

Tiger Shark Owner's Manual (Mar. 2007) (16 pages).

(Continued)

*Primary Examiner*—Ruth McInroy

(74) *Attorney, Agent, or Firm*—McCarter & English, LLP

(57) **CLAIM**

The ornamental design for a pool cleaner, as shown and described.

**DESCRIPTION**

FIG. 1 is a perspective view of a pool cleaner showing my new design;

FIG. 2 is a front elevational view thereof;

FIG. 3 is a rear elevational view thereof;

FIG. 4 is a right side elevational view thereof;

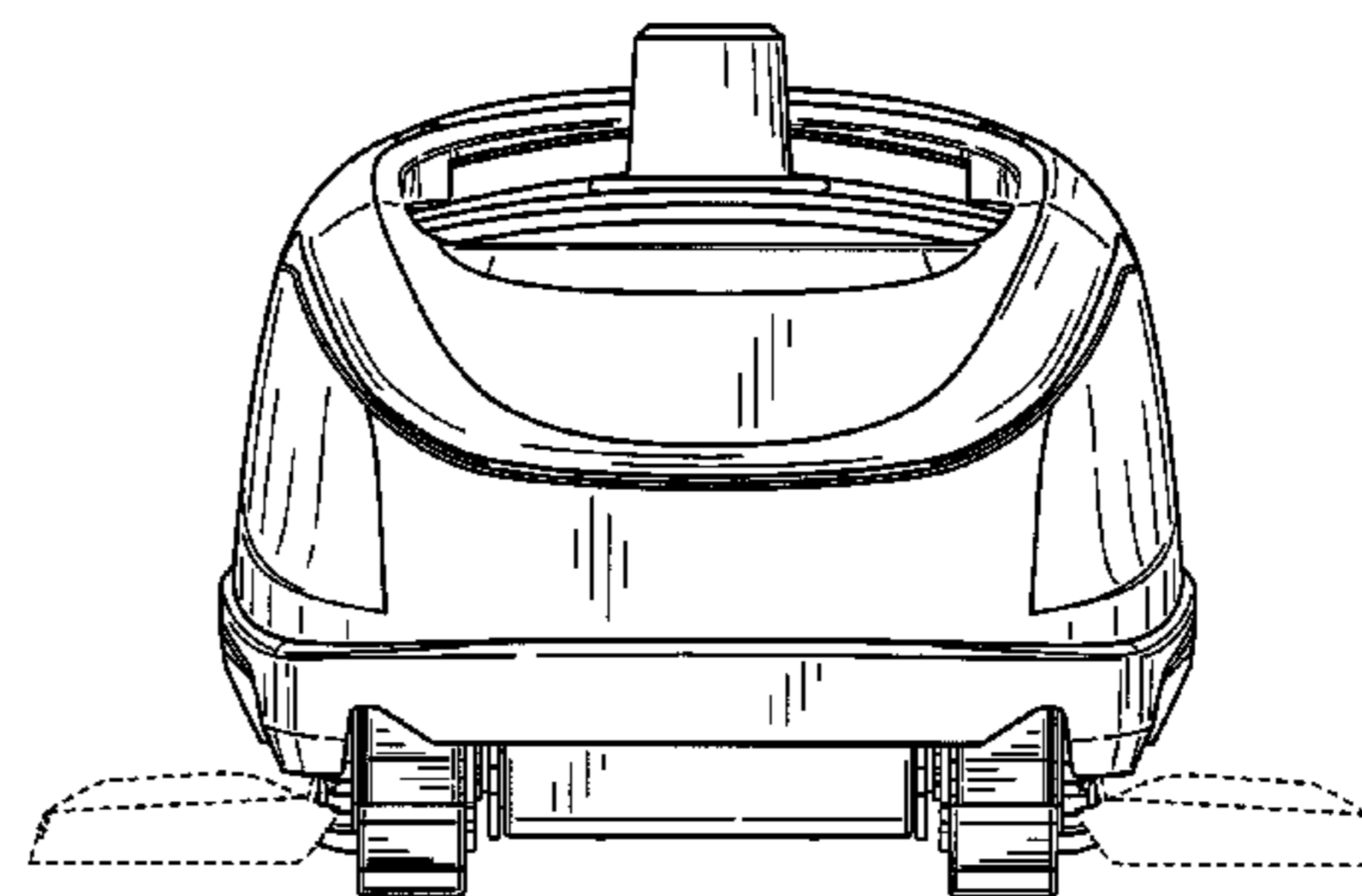
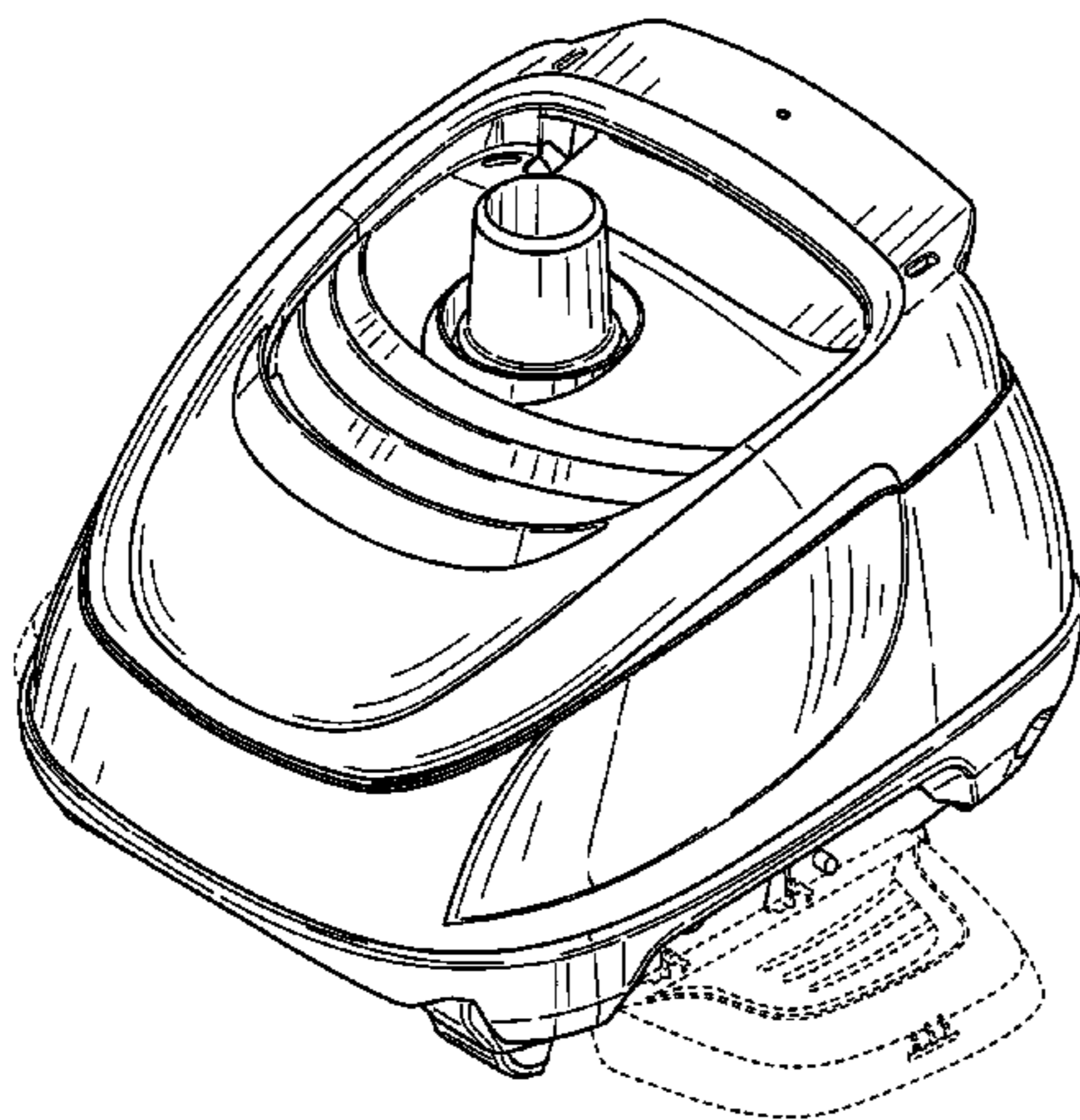
FIG. 5 is a left side elevational view thereof;

FIG. 6 is a top plan view thereof; and,

FIG. 7 is a bottom plan view thereof.

The details shown in broken lines form no part of the claimed design.

**1 Claim, 4 Drawing Sheets**



# US D630,808 S

U.S. PATENT DOCUMENTS				FOREIGN PATENT DOCUMENTS			
				6,280,611	B1	8/2001	Henkin et al.
				6,299,699	B1	10/2001	Porat et al.
				6,365,039	B1	4/2002	Henkin et al.
				6,387,250	B1	5/2002	Henkin et al.
				6,398,878	B1	6/2002	Henkin et al.
				6,409,916	B1	6/2002	Zelas et al.
				6,412,133	B1	7/2002	Erlich et al.
				D463,889	S	10/2002	Buzzi
				6,473,927	B1	11/2002	Sommer
				6,485,638	B2	11/2002	Henkin et al.
				D469,589	S *	1/2003	Wichmann et al. .... D32/15
				D471,330	S *	3/2003	Campbell ..... D32/15
				D474,312	S	5/2003	Stephens et al.
				6,601,255	B1	8/2003	van der Meyden et al.
				D481,181	S	10/2003	Lath et al.
				6,652,742	B2	11/2003	Henkin et al.
				6,742,613	B2	6/2004	Erlich et al.
				6,758,226	B2	7/2004	Porat
				6,815,918	B2	11/2004	Porat et al.
				6,842,931	B2 *	1/2005	Porat et al. .... 15/1.7
				6,886,205	B1	5/2005	Pichon
				6,954,960	B2	10/2005	Pichon
				6,965,814	B2	11/2005	Hadari
				6,971,136	B2	12/2005	Horvath et al.
				6,979,400	B2	12/2005	Bauckman et al.
				7,039,980	B2	5/2006	Van Der Meyden et al.
				D524,495	S	7/2006	Ljunggren
				D526,101	S *	8/2006	Blanc-Tailleur ..... D32/16
				7,089,876	B2	8/2006	Porat
				7,103,449	B2	9/2006	Woo et al.
				D529,669	S *	10/2006	Blanc-Tailleur ..... D32/1
				7,117,554	B2	10/2006	Pichon
				7,118,632	B2	10/2006	Sumonthee
				7,118,678	B2	10/2006	Porat
				7,143,502	B2 *	12/2006	Porat et al. .... 29/596
				7,165,284	B2	1/2007	Erlich et al.
				D537,576	S	2/2007	Koury et al.
				7,213,287	B2	5/2007	Hui
				D550,906	S	9/2007	Fritz et al.
				7,316,751	B2	1/2008	Horvath et al.
				7,318,448	B2	1/2008	Fleischer et al.
				7,395,571	B2	7/2008	Van Der Meijden et al.
				D575,915	S *	8/2008	Dreyer ..... D32/15
				D598,168	S *	8/2009	Sumonthee ..... D32/21
				D599,967	S *	9/2009	Blanc-Tailleur ..... D32/1
				7,677,268	B2 *	3/2010	Griffin et al. .... 137/624.14
				2002/0116772	A1	8/2002	Phillipson et al.
				2003/0177594	A1	9/2003	Van Der Meyden et al.
				2004/0021439	A1	2/2004	Porat et al.
				2004/0216251	A1	11/2004	Van Der Meijden et al.
				2006/0101596	A1	5/2006	Hui et al.
				2006/0207041	A1	9/2006	Van Der Meyden et al.
				2006/0225768	A1	10/2006	Erlich et al.
				2007/0028405	A1	2/2007	Garti
				2007/0056124	A1	3/2007	Wichmann et al.
				2007/0067930	A1	3/2007	Garti
				2007/0094817	A1	5/2007	Stoltz et al.
				2007/0251032	A1	11/2007	Pichon et al.
				2007/0251859	A1	11/2007	Zhu
				2007/0272274	A1	11/2007	Adam et al.
				2008/0087299	A1	4/2008	Erlich et al.
				2008/0128343	A1	6/2008	Garti
				2008/0222821	A1	9/2008	Pichon
				2008/0235887	A1	10/2008	Horvath et al.
				2008/0236628	A1	10/2008	Horvath et al.
				2009/0255069	A1 *	10/2009	Hui ..... 15/1.7
				2010/0122422	A1 *	5/2010	Hui ..... 15/1.7
4,692,956	A	9/1987	Kassis				
4,761,848	A	8/1988	Hofmann				
4,768,532	A	9/1988	Johnson				
4,769,867	A	9/1988	Stoltz				
4,776,953	A	10/1988	Frentzel				
4,807,318	A	2/1989	Kallenbach				
4,849,024	A	7/1989	Supra				
D304,505	S *	11/1989	Maier et al. .... D32/1				
D315,624	S	3/1991	Kimura et al.				
5,014,382	A	5/1991	Kallenbach				
5,093,950	A	3/1992	Heier				
5,099,535	A	3/1992	Chauvier et al.				
D325,452	S	4/1992	Gefter				
D325,796	S	4/1992	Kallenbach				
5,105,496	A	4/1992	Gray, Jr. et al.				
5,172,445	A	12/1992	Chandler				
5,197,158	A	3/1993	Moini				
5,226,205	A	7/1993	Pearce				
5,265,297	A	11/1993	Gould et al.				
D346,888	S	5/1994	Stone				
D349,150	S	7/1994	Ruiz				
5,337,434	A	8/1994	Erlich				
5,351,355	A	10/1994	Chiniara				
5,412,826	A	5/1995	Raubenheimer				
5,435,031	A	7/1995	Minami et al.				
D361,178	S	8/1995	Piret				
5,450,644	A	9/1995	Berman				
5,450,645	A	9/1995	Atkins				
5,454,129	A *	10/1995	Kell ..... 15/1.7				
5,507,058	A	4/1996	Minami et al.				
5,546,982	A	8/1996	Clark et al.				
5,554,277	A	9/1996	Rief et al.				
5,569,371	A	10/1996	Perling				
D375,592	S	11/1996	Ljunggren				
D376,450	S	12/1996	Campbell et al.				
5,604,950	A	2/1997	Stern				
5,617,600	A	4/1997	Frattini				
5,634,229	A	6/1997	Stoltz				
D384,782	S *	10/1997	Gefter ..... D32/21				
5,720,068	A	2/1998	Clark et al.				
5,771,987	A	6/1998	Marbach				
5,802,653	A	9/1998	Roumagnac				
5,810,999	A	9/1998	Bachand et al.				
D400,319	S *	10/1998	Hofheins et al. .... D32/1				
5,842,243	A	12/1998	Horvath et al.				
5,882,512	A	3/1999	Denkewicz, Jr. et al.				
D408,104	S *	4/1999	Adam ..... D32/1				
5,930,856	A	8/1999	Van Der Meyden et al.				
5,935,179	A	8/1999	Kleiner et al.				
5,961,822	A	10/1999	Polimeni, Jr.				
D417,322	S *	11/1999	Hollinger ..... D32/1				
5,985,156	A	11/1999	Henkin et al.				
5,996,906	A	12/1999	Cooper				
D418,640	S *	1/2000	Veloskey et al. .... D32/1				
6,013,178	A	1/2000	Strano et al.				
6,039,886	A	3/2000	Henkin et al.				
6,049,933	A	4/2000	McLaughlin				
6,090,219	A	7/2000	Henkin et al.				
D430,368	S	8/2000	Porat et al.				
6,094,764	A	8/2000	Veloskey et al.				
D430,960	S	9/2000	van der Meyden et al.				
D430,962	S	9/2000	Porat et al.				
6,112,354	A	9/2000	Stoltz et al.				
6,115,864	A	9/2000	Davidsson et al.				
6,125,492	A	10/2000	Prowse				
D433,545	S *	11/2000	Hollinger et al. .... D32/1				
6,155,657	A	12/2000	Erlich et al.				
D436,700	S	1/2001	Forbes et al.				
6,206,547	B1	3/2001	Erlich	EP	0314259	5/1989	
6,212,725	B1 *	4/2001	Porat ..... 15/1.7	EP	0426365	5/1991	
D445,225	S *	7/2001	Schaub ..... D32/15	EP	0468876	1/1992	



# US D630,808 S

Page 3

---

EP	0990749	4/2000
FR	2584442	1/1987
FR	2693499	1/1994
WO	WO 99/63185	12/1999

## OTHER PUBLICATIONS

Co-Owned U.S. Appl. no. 12/211,720, entitled: "Apparatus for Facilitating Maintenance of a Pool Cleaning Device," filed Sep. 16, 2008 (46 pages).

Co-Owned U.S. Appl. No. 29/339,532, entitled: "Pool Cleaner" filed Jul. 1, 2009 (5 pages).

Digital Image of Squirrel Cleaner (more than one year prior to Sep. 16, 2008) (1 page).

Digital Image of Pool Rover Cleaner (more than one year prior to Sep. 16, 2008) (1 page).

Digital Image of Robby Cleaner (more than one year prior to Sep. 16, 2008) (1 page).

Digital Image of Dolphin Cleaner (more than one year prior to Sep. 16, 2008) (1 page).

Digital Image of Merlin Cleaner (more than one year prior to Sep. 16, 2008) (1 page).

Digital Image of Aquabot Cleaner (more than one year prior to Sep. 16, 2008) (1 page).

Preliminary Amendment and Replacement Drawings filed in co-pending U.S. Appl. No. 29/339,532, filed Dec. 9, 2009 (8 pages).

\* cited by examiner

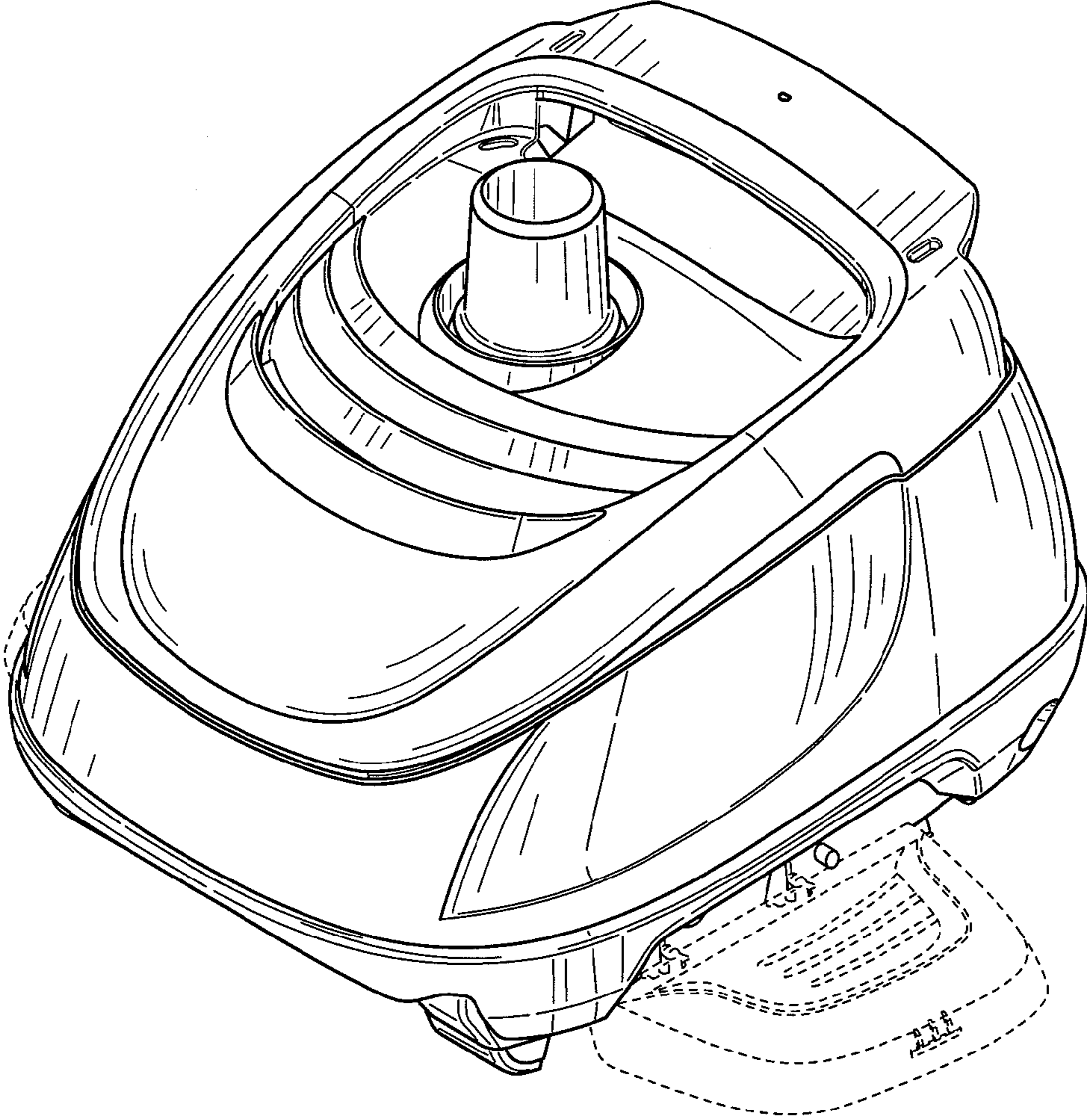


FIG. 1

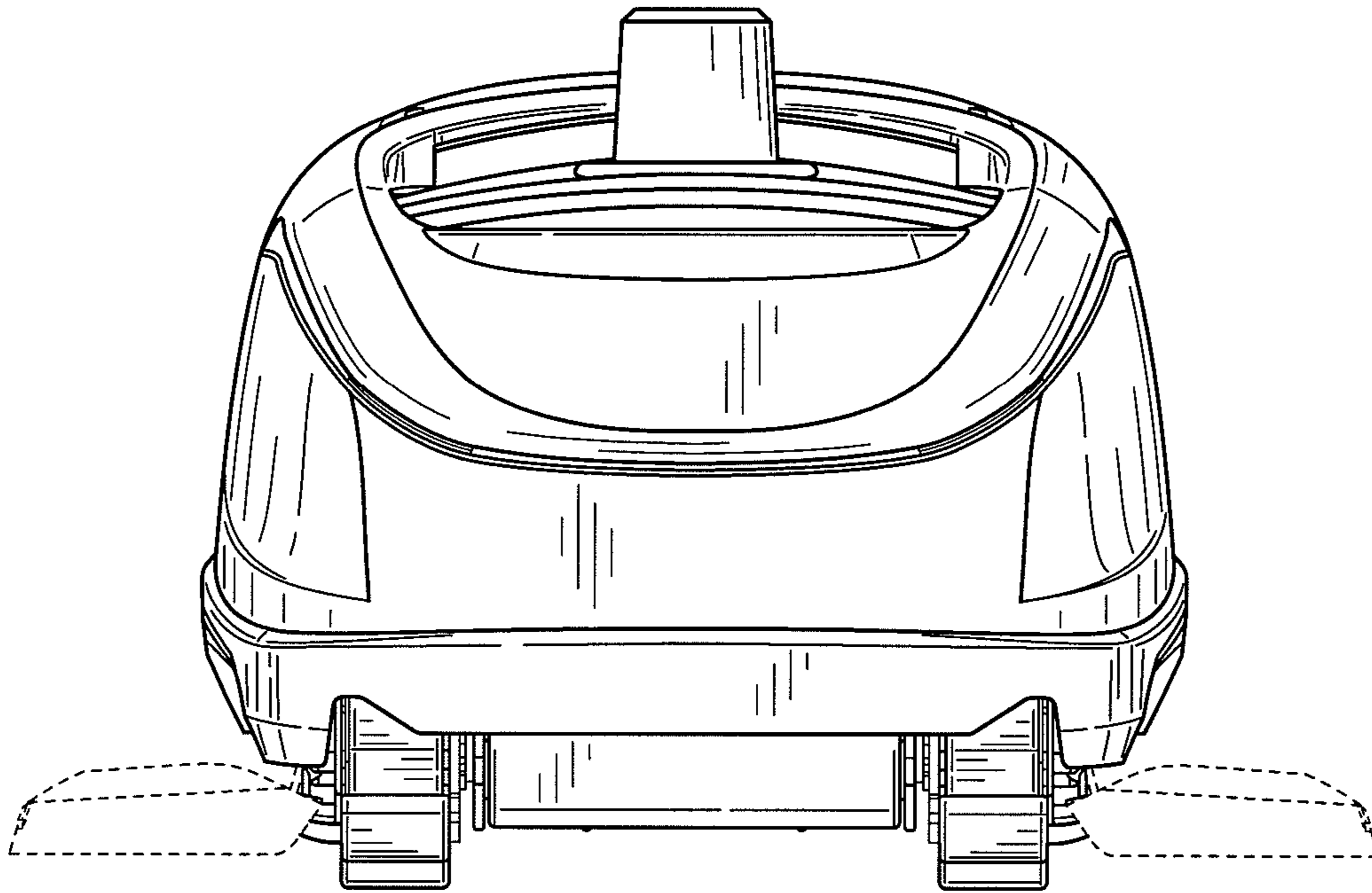


FIG. 2

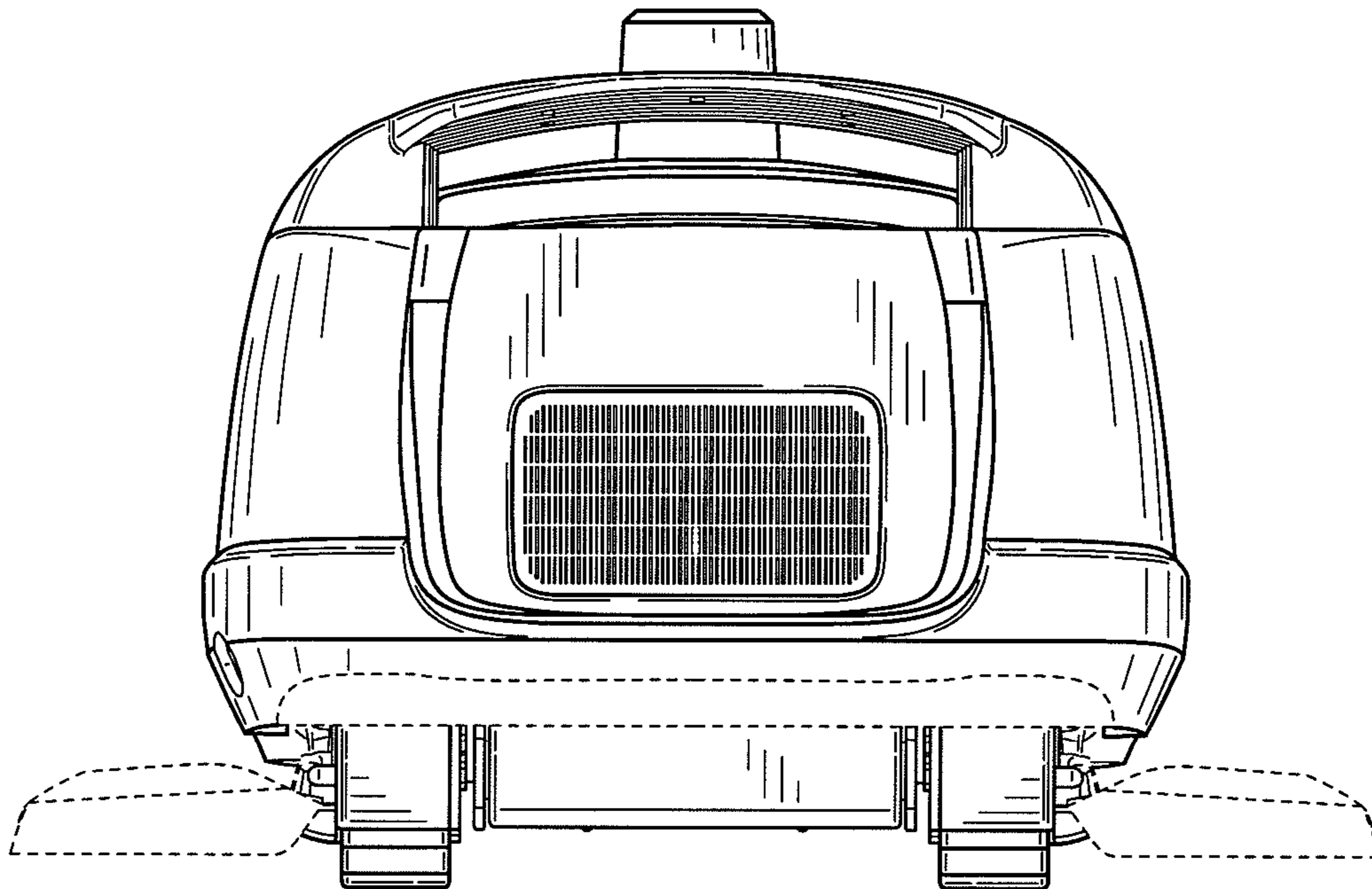


FIG. 3

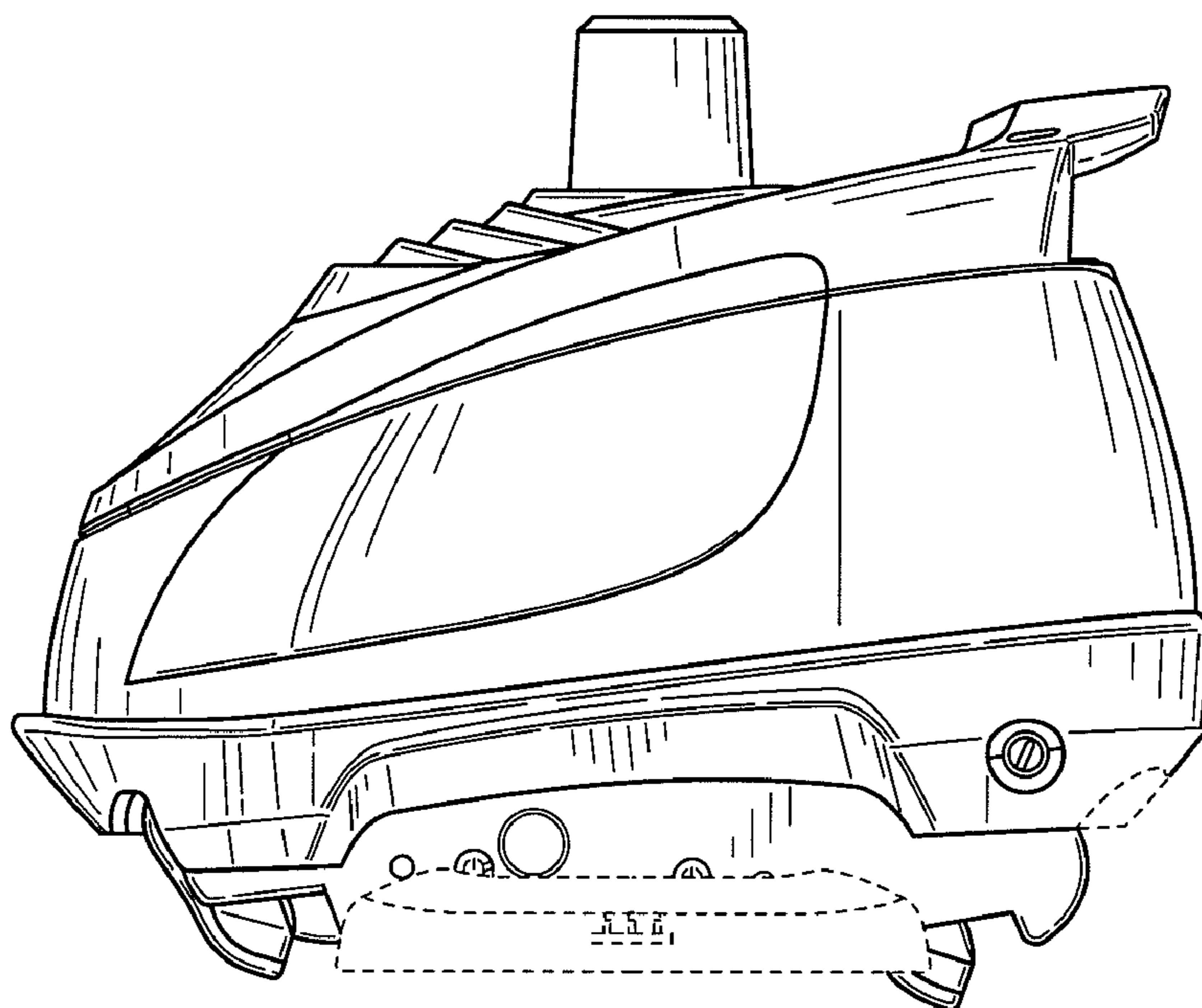


FIG. 4

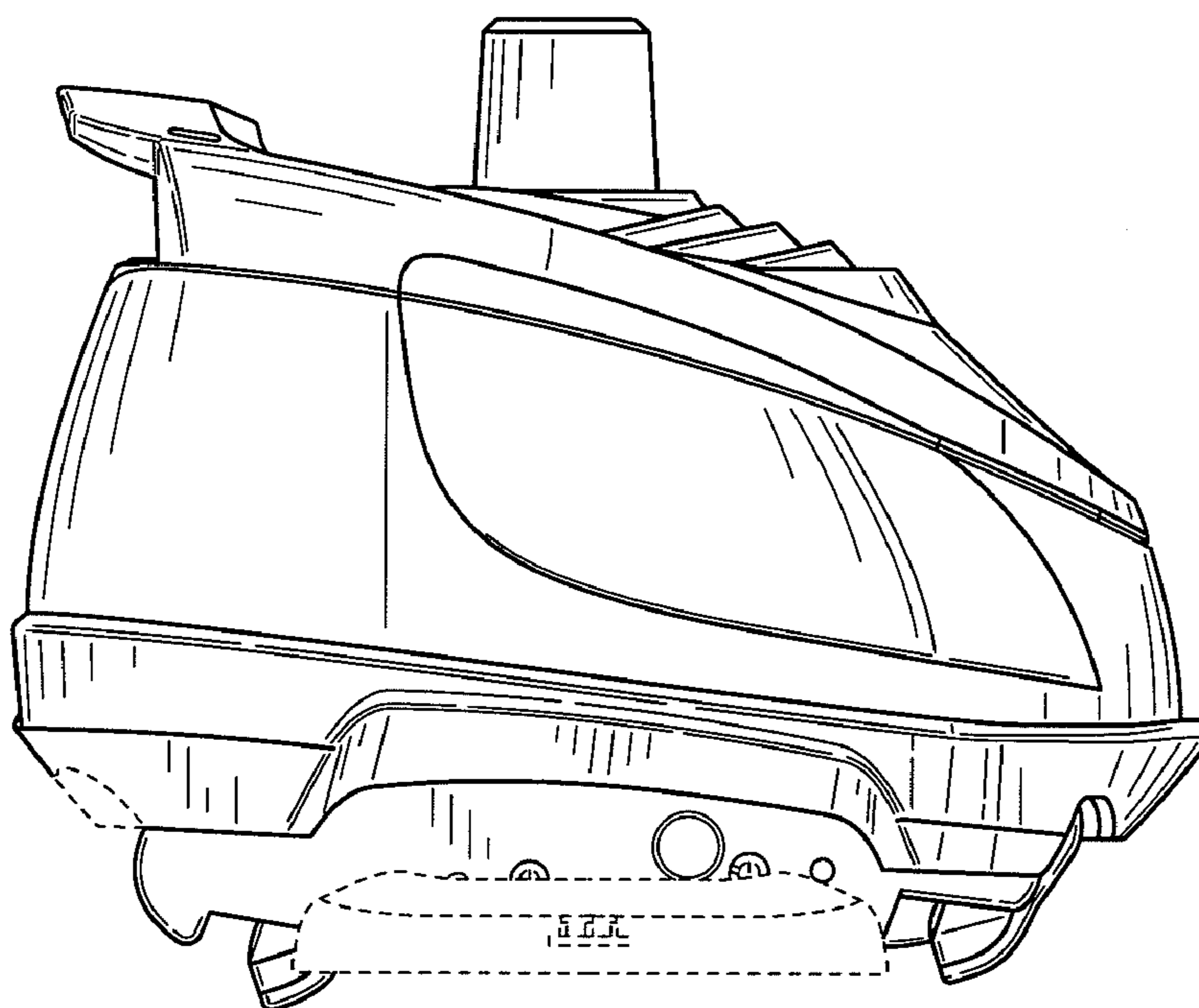


FIG. 5



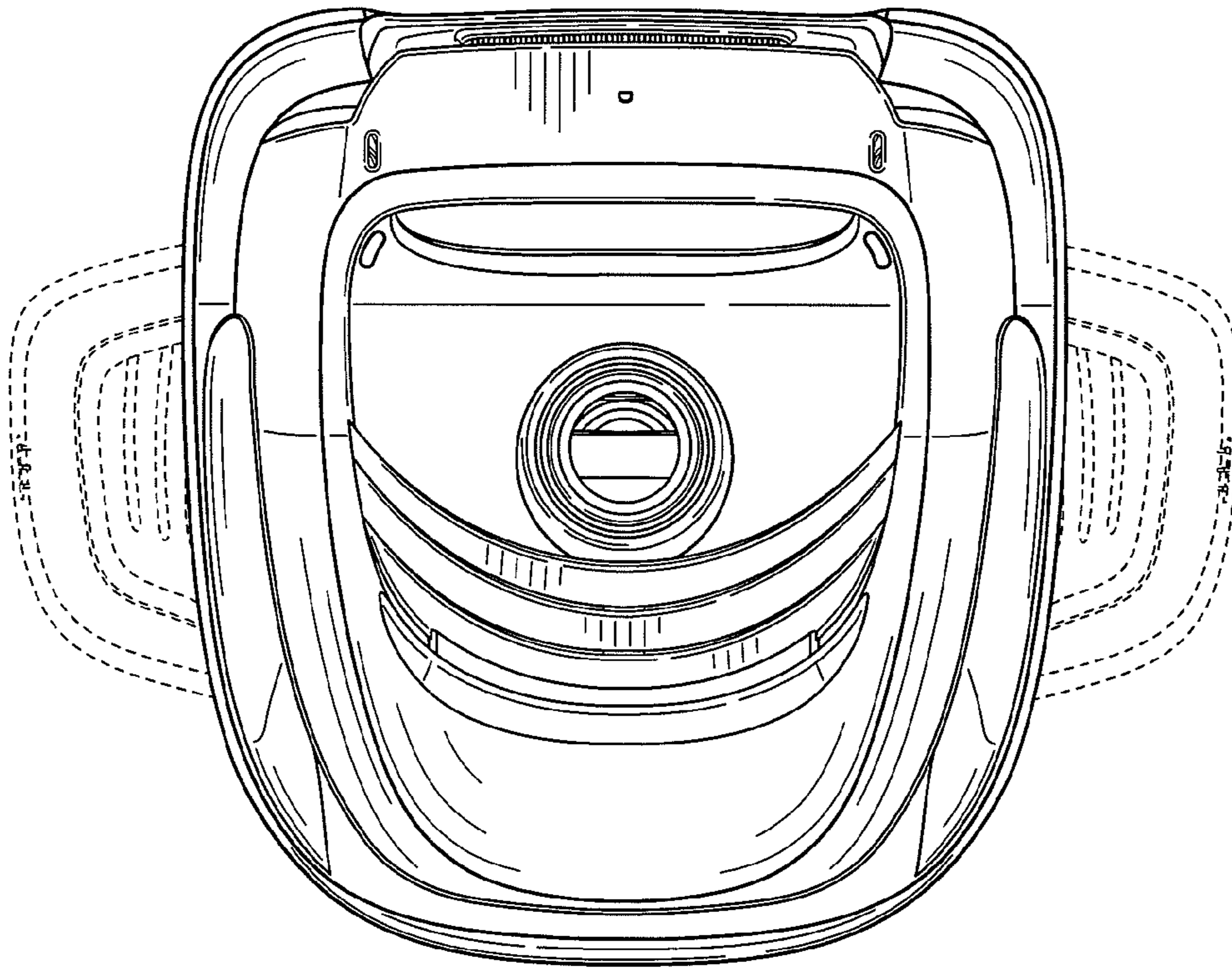


FIG. 6

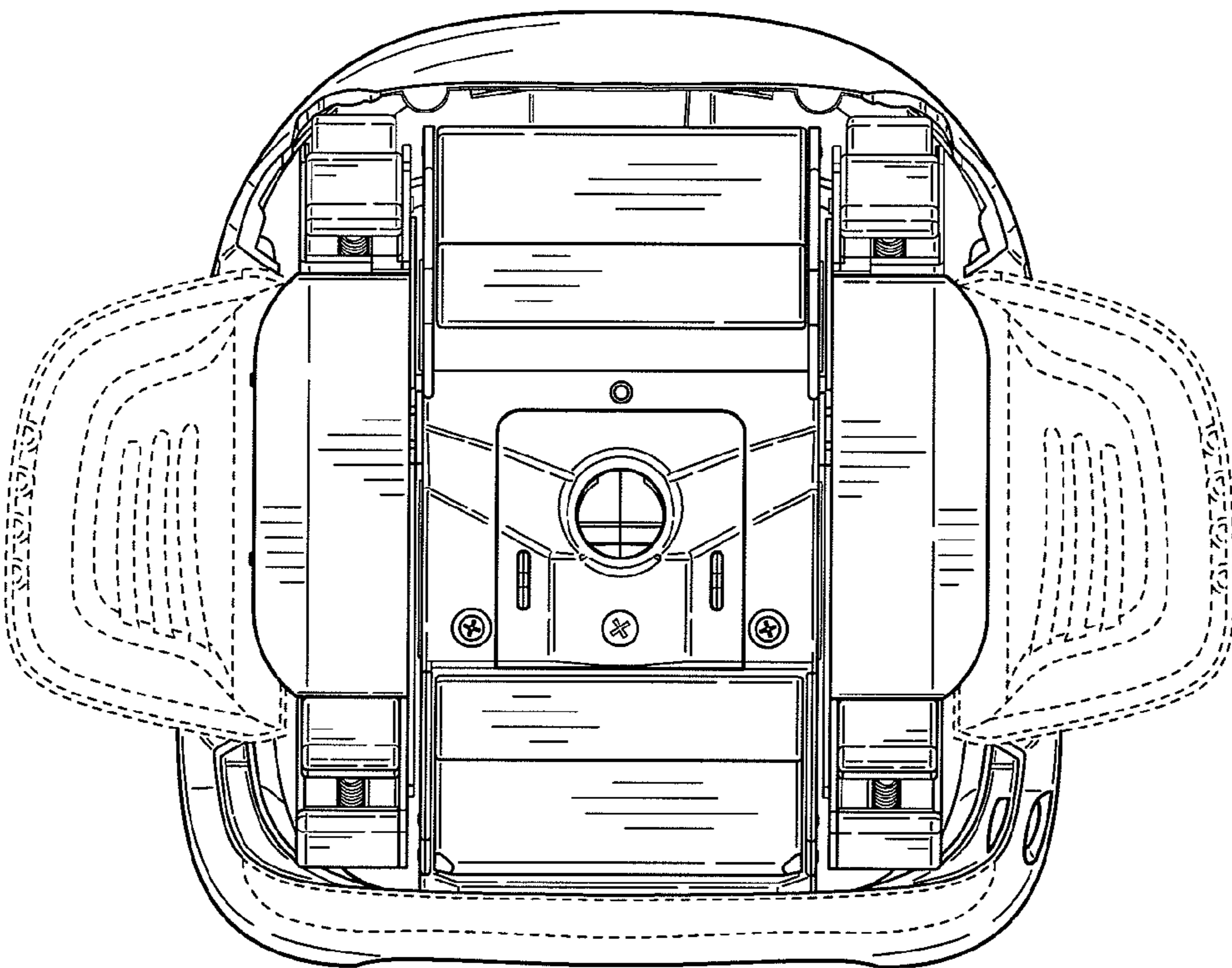


FIG. 7