



US00D630805S

(12) **United States Design Patent**
Ott

(10) **Patent No.:** **US D630,805 S**
(45) **Date of Patent:** **** Jan. 11, 2011**

- (54) **DISHWASHER PANEL**
- (75) Inventor: **Thomas Ott**, Neubiberg (DE)
- (73) Assignee: **BSH Bosch und Siemens Hausgeraete GmbH**, Munich (DE)
- (**) Term: **14 Years**
- (21) Appl. No.: **29/360,739**
- (22) Filed: **Apr. 30, 2010**

Related U.S. Application Data

- (62) Division of application No. 29/312,228, filed on Oct. 7, 2008, now Pat. No. Des. 618,405.

(30) **Foreign Application Priority Data**

Apr. 8, 2008 (EM) 000918347

- (51) **LOC (9) Cl.** **15-05**
- (52) **U.S. Cl.** **D32/3**
- (58) **Field of Classification Search** D32/1,
D32/2, 3, 28; D7/340, 348, 349, 350, 351,
D7/405; 68/212; 312/31; 134/56 D, 57 D,
134/58 D, 58 DL, 113, 201
See application file for complete search history.

(56) **References Cited**

U.S. PATENT DOCUMENTS

D385,069 S * 10/1997 Hughes et al. D32/3
(Continued)

Primary Examiner—T. Chase Nelson
Assistant Examiner—Kathleen M Sims

(74) *Attorney, Agent, or Firm*—James E. Howard; Andre Pallapies

(57) **CLAIM**

The ornamental design for a dishwasher panel, as shown and described.

DESCRIPTION

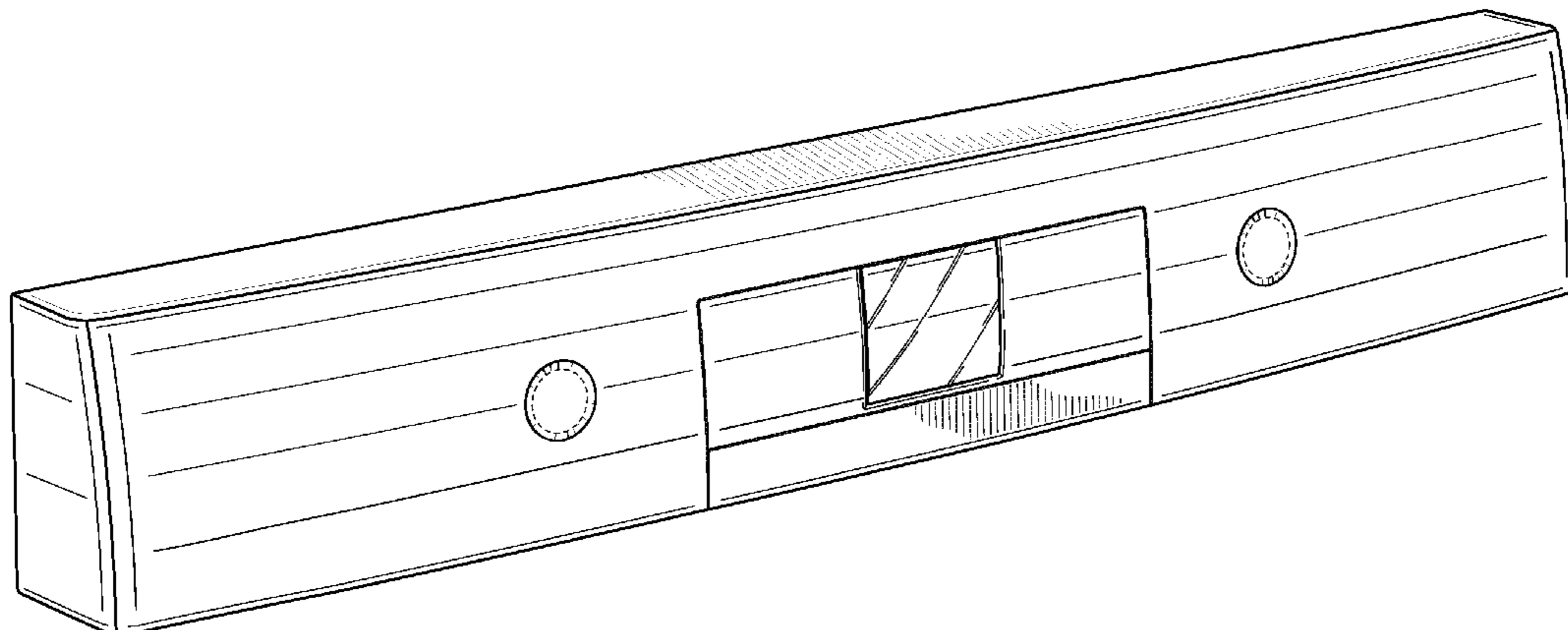
FIG. 1 is perspective view of a first embodiment of a dishwasher panel showing my new ornamental design;

- FIG. 2 is a front view thereof;
- FIG. 3 is a top view thereof;
- FIG. 4 is perspective view of a second embodiment of a dishwasher panel showing my new ornamental design;
- FIG. 5 is a front view thereof;
- FIG. 6 is perspective view of a third embodiment of a dishwasher panel showing my new ornamental design;
- FIG. 7 is a front view thereof;
- FIG. 8 is a perspective view of a fourth embodiment of a dishwasher panel showing my new ornamental design;
- FIG. 9 is a front view thereof;
- FIG. 10 is a perspective view of a fifth embodiment of a dishwasher panel showing my new ornamental design;
- FIG. 11 is a front view thereof;
- FIG. 12 is a perspective view of a sixth embodiment of a dishwasher panel showing my new ornamental design;
- FIG. 13 is a front view thereof;
- FIG. 14 is a perspective view of a seventh embodiment of a dishwasher panel showing my new ornamental design;
- FIG. 15 is a front view thereof;
- FIG. 16 is a perspective view of a eighth embodiment of a dishwasher panel showing my new ornamental design;
- FIG. 17 is a front view thereof;
- FIG. 18 is a perspective view of a ninth embodiment of a dishwasher panel showing my new ornamental design; and,
- FIG. 19 is a front view thereof.

The broken lines represent environment or structure of the dishwasher panel and do not form a part of the claimed design.

The rear and bottom views of the dishwasher panels are not shown and do not form a part of the claimed design.

1 Claim, 10 Drawing Sheets



US D630,805 S

Page 2

U.S. PATENT DOCUMENTS

D493,583 S	*	7/2004	Kaczmarek	D32/3	D533,691 S	*	12/2006	Knochner	D32/3
D495,104 S	*	8/2004	Kaczmarek	D32/3	D539,992 S	*	4/2007	Yamamoto et al.	D32/2
D511,031 S	*	10/2005	Ott et al.	D32/3	D549,009 S	*	8/2007	Lin	D6/480
D530,048 S	*	10/2006	Knochner	D32/3	D568,563 S	*	5/2008	Stephens	D32/28
D530,460 S	*	10/2006	Knochner	D32/3	D577,869 S	*	9/2008	Tartan et al.	D32/2

* cited by examiner

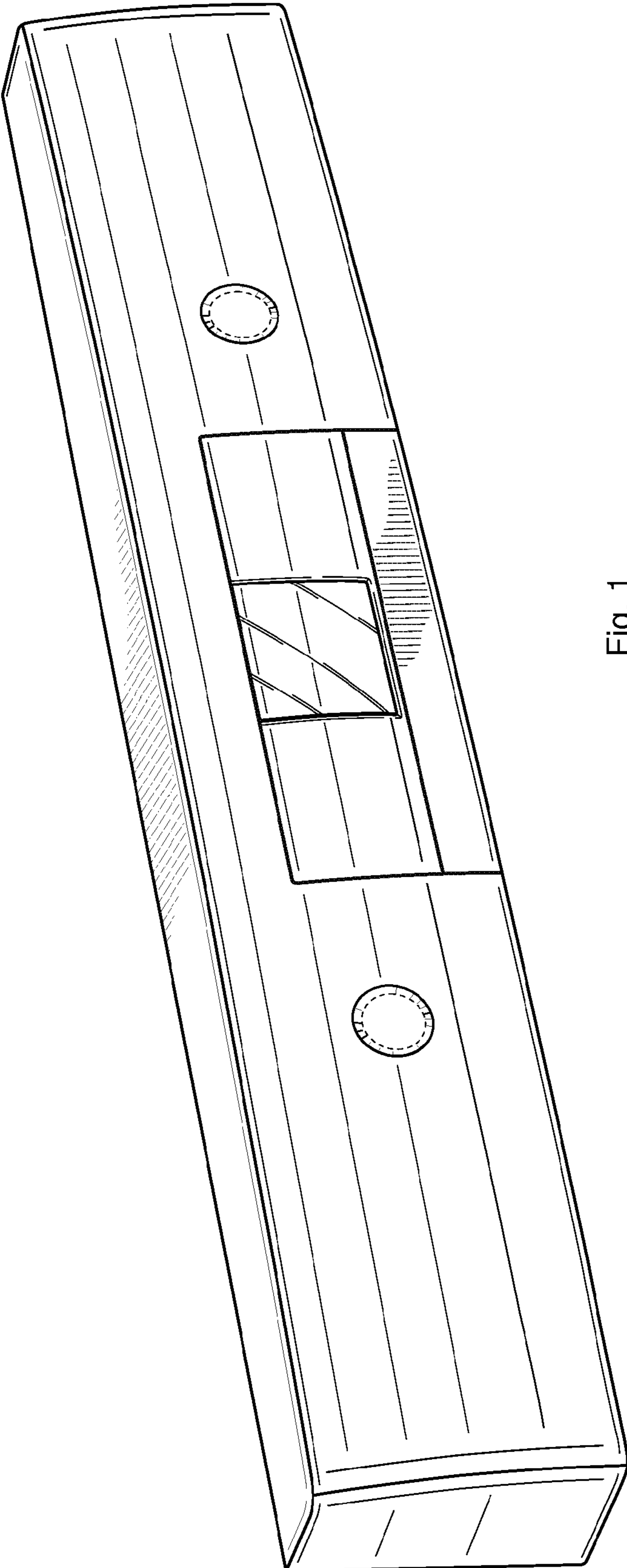


Fig. 1

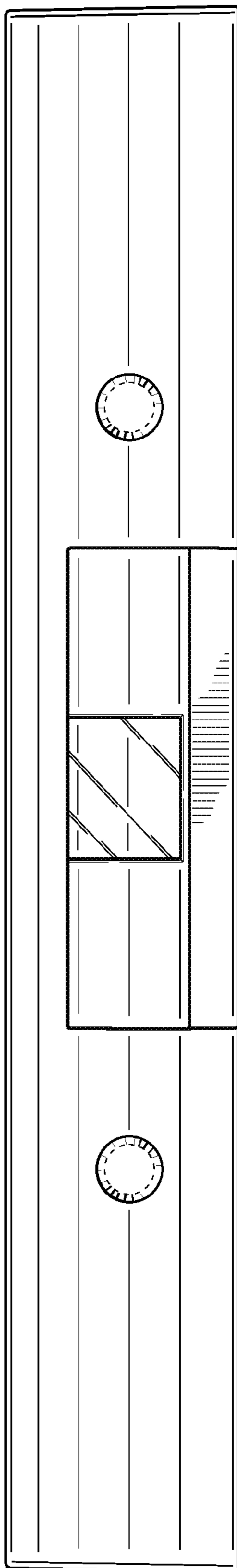


Fig. 2

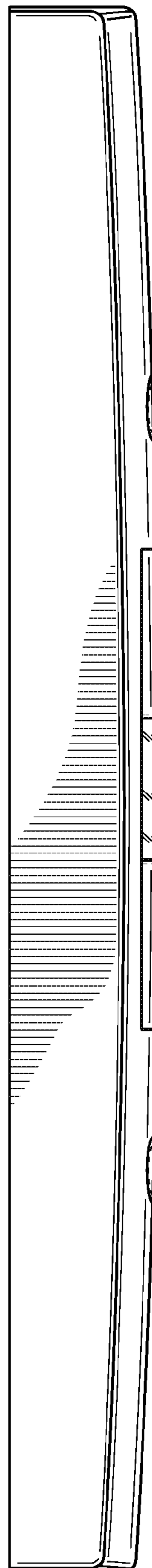


Fig. 3

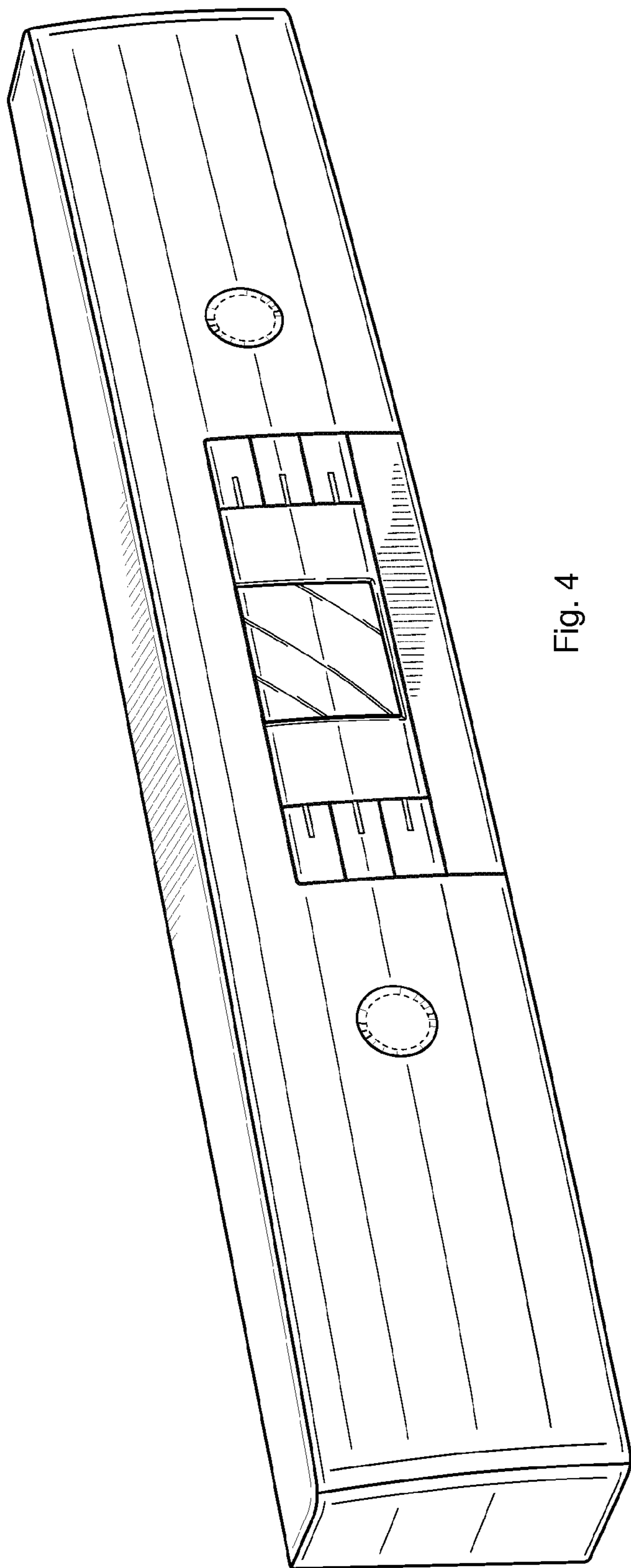


Fig. 4

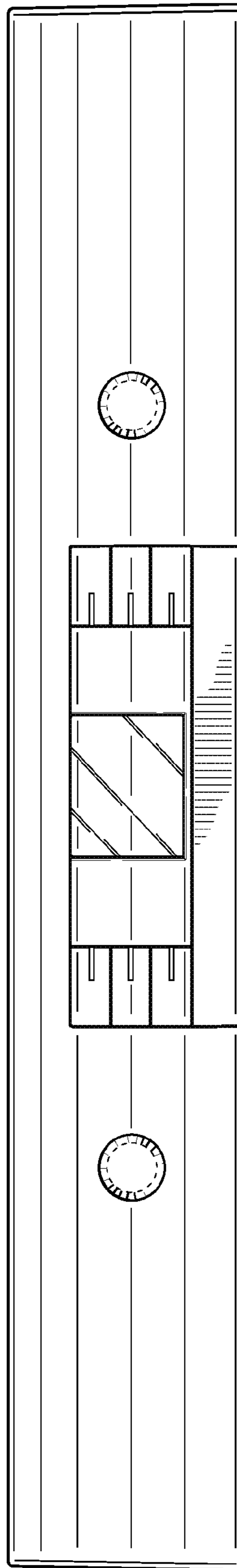


Fig. 5

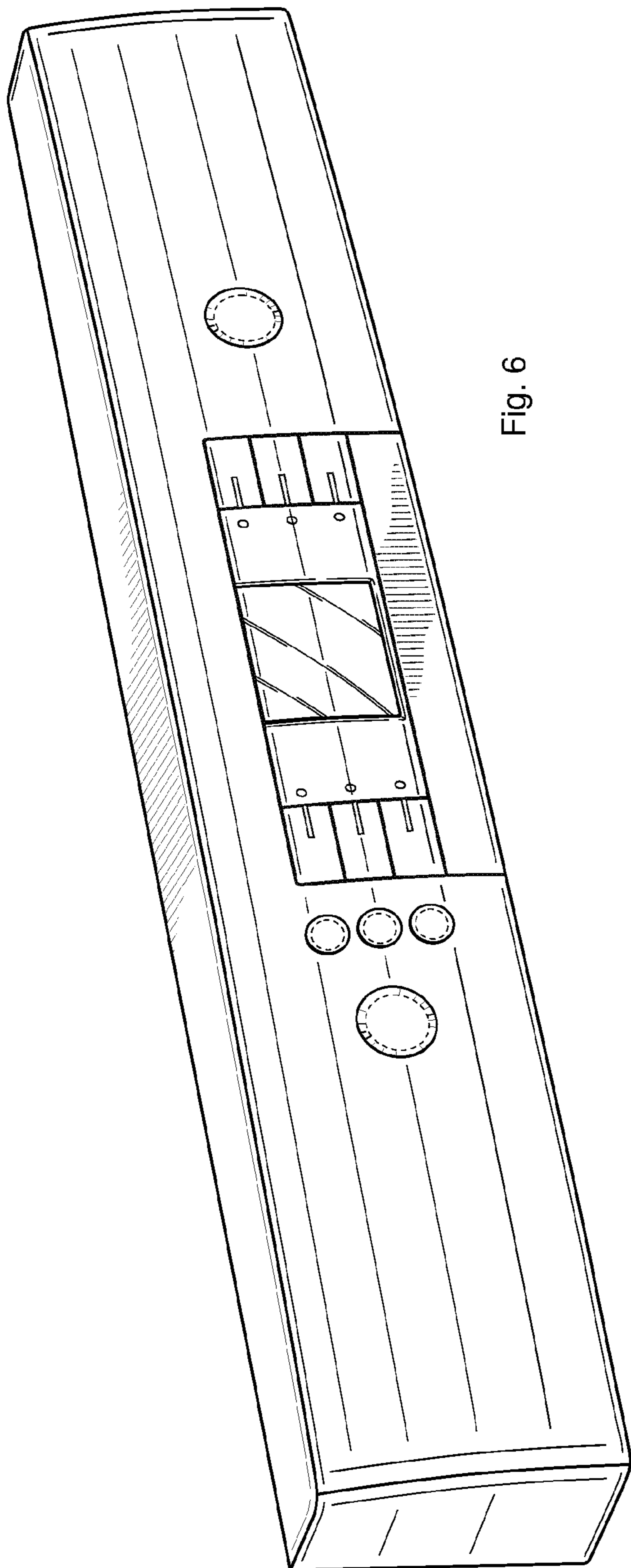


Fig. 6

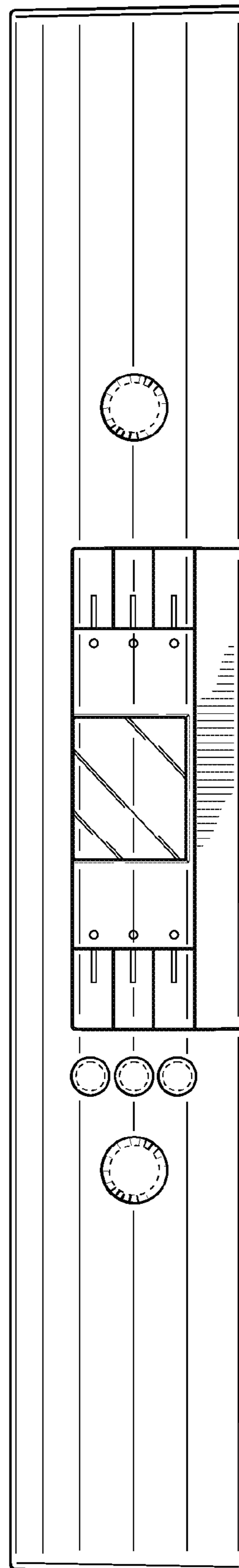


Fig. 7

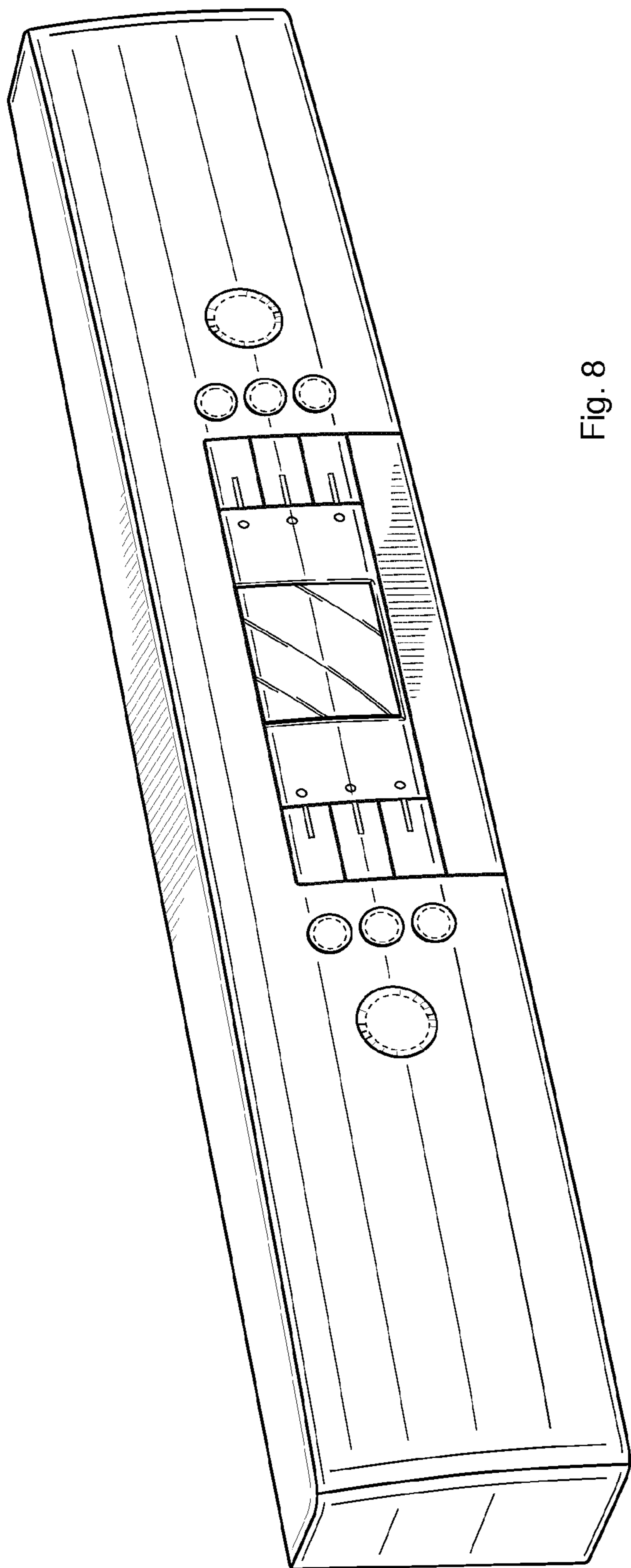


Fig. 8

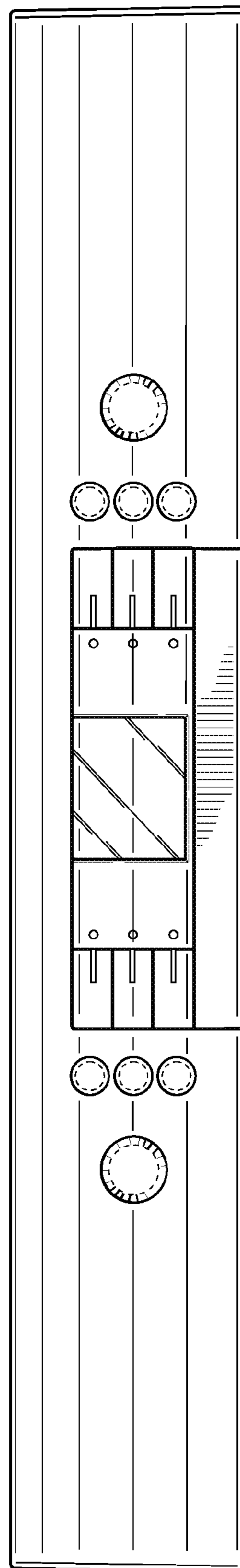


Fig. 9

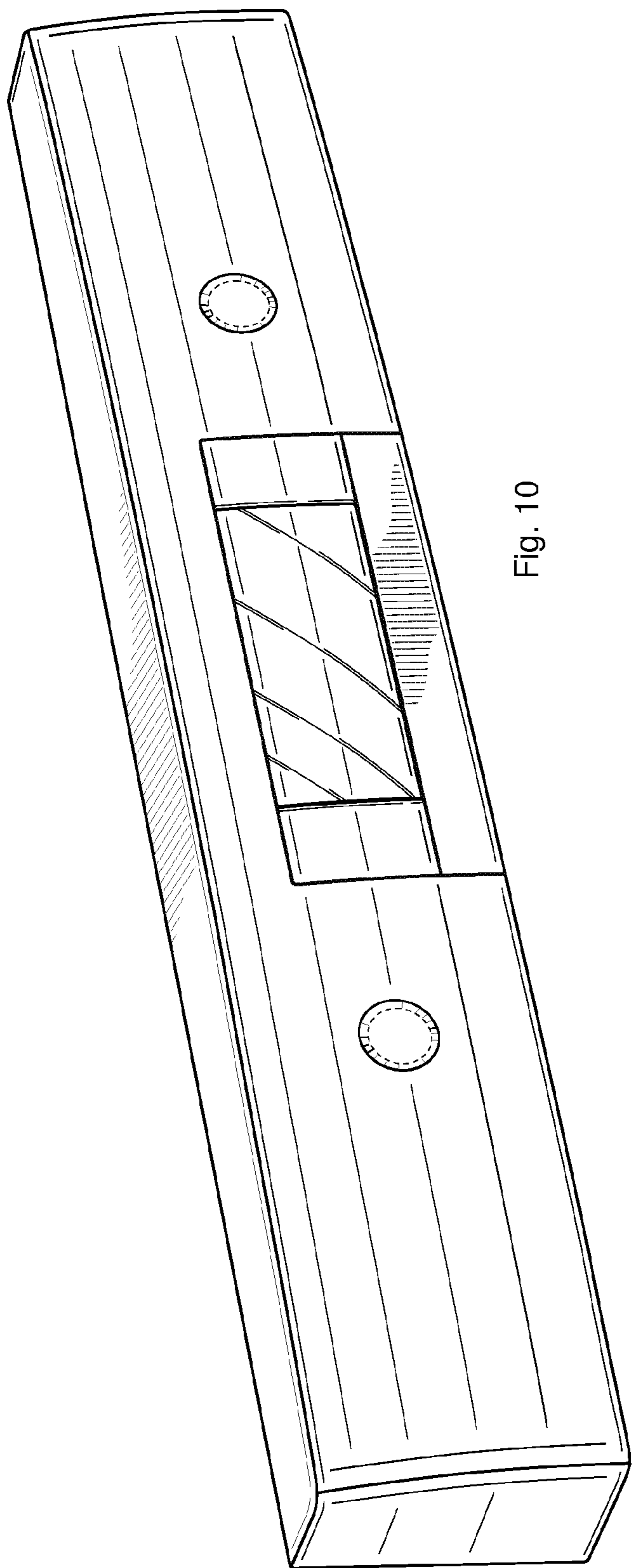


Fig. 10

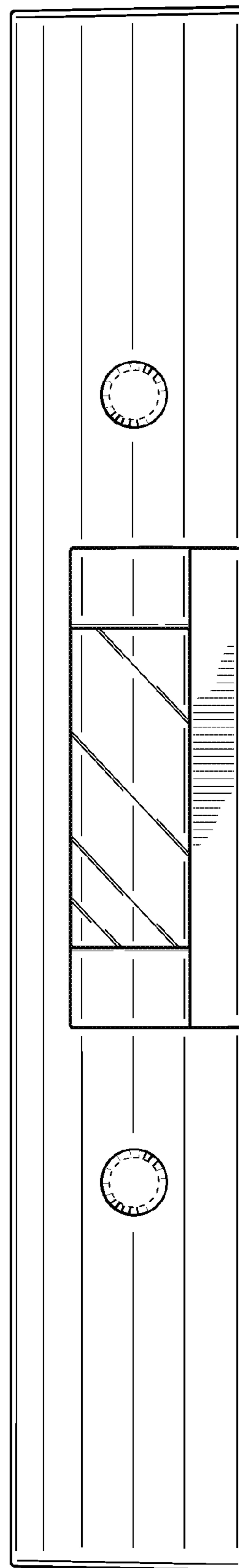


Fig. 11

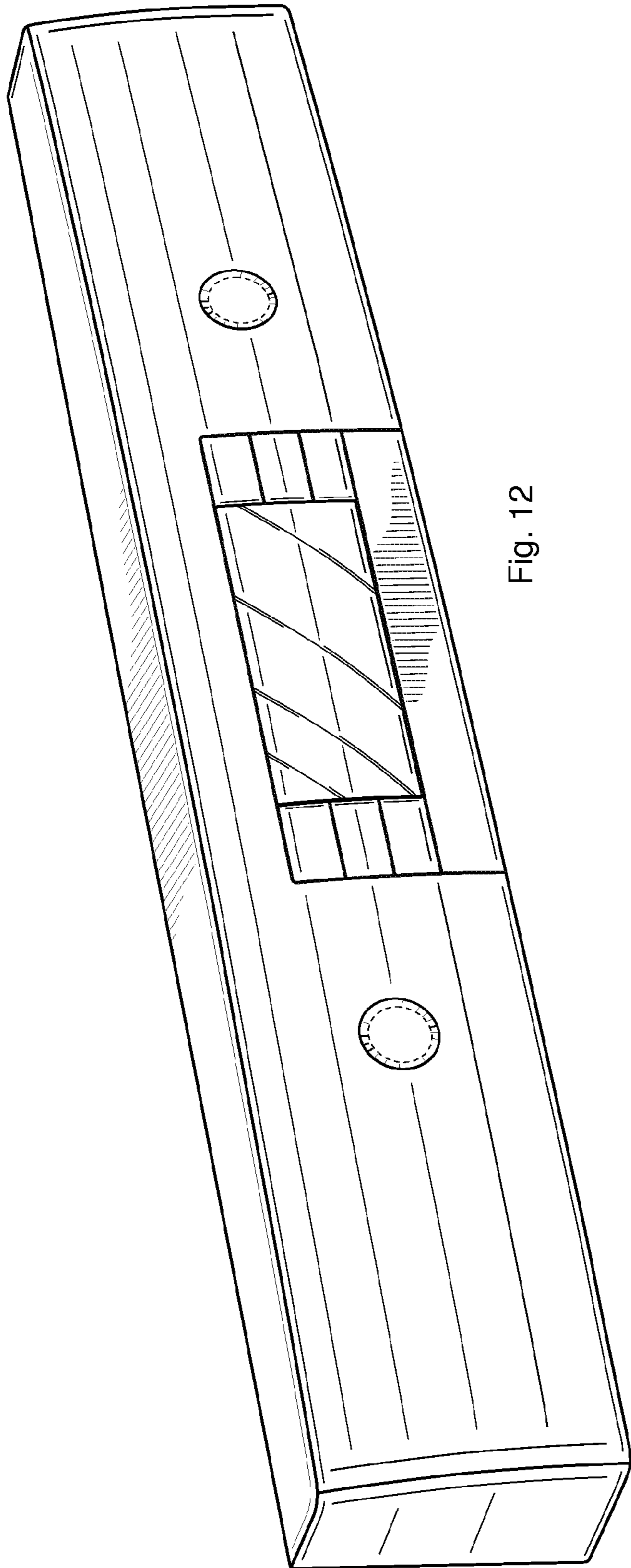


Fig. 12

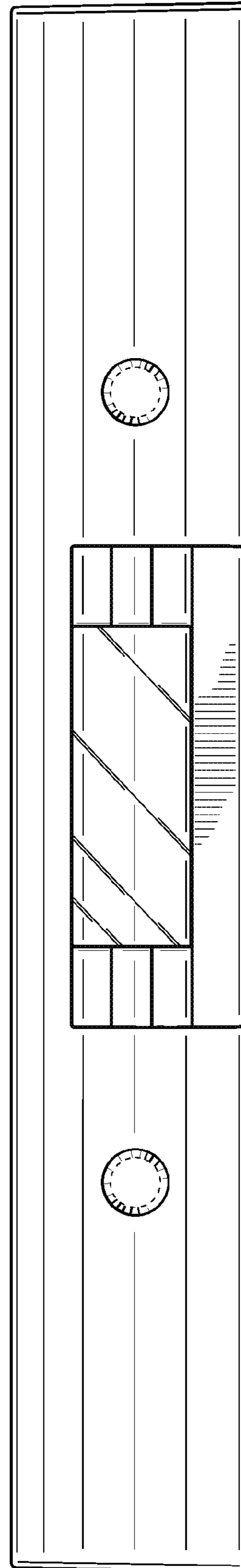


Fig. 13

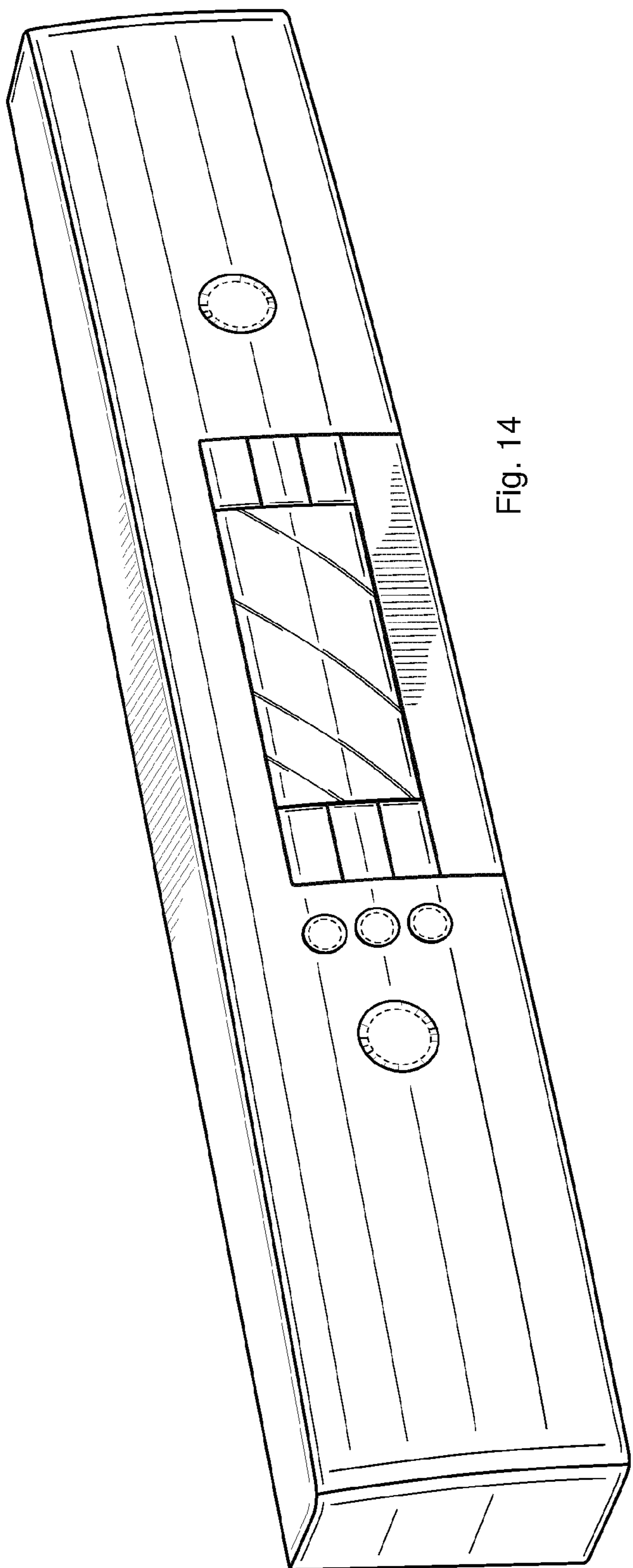


Fig. 14

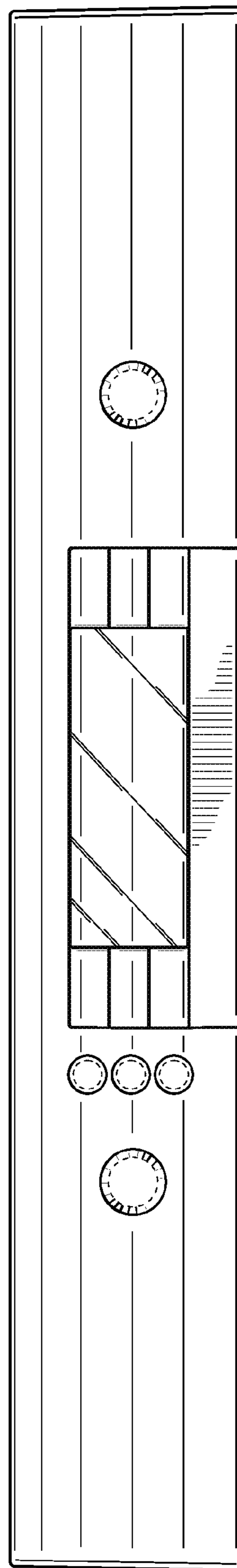


Fig. 15

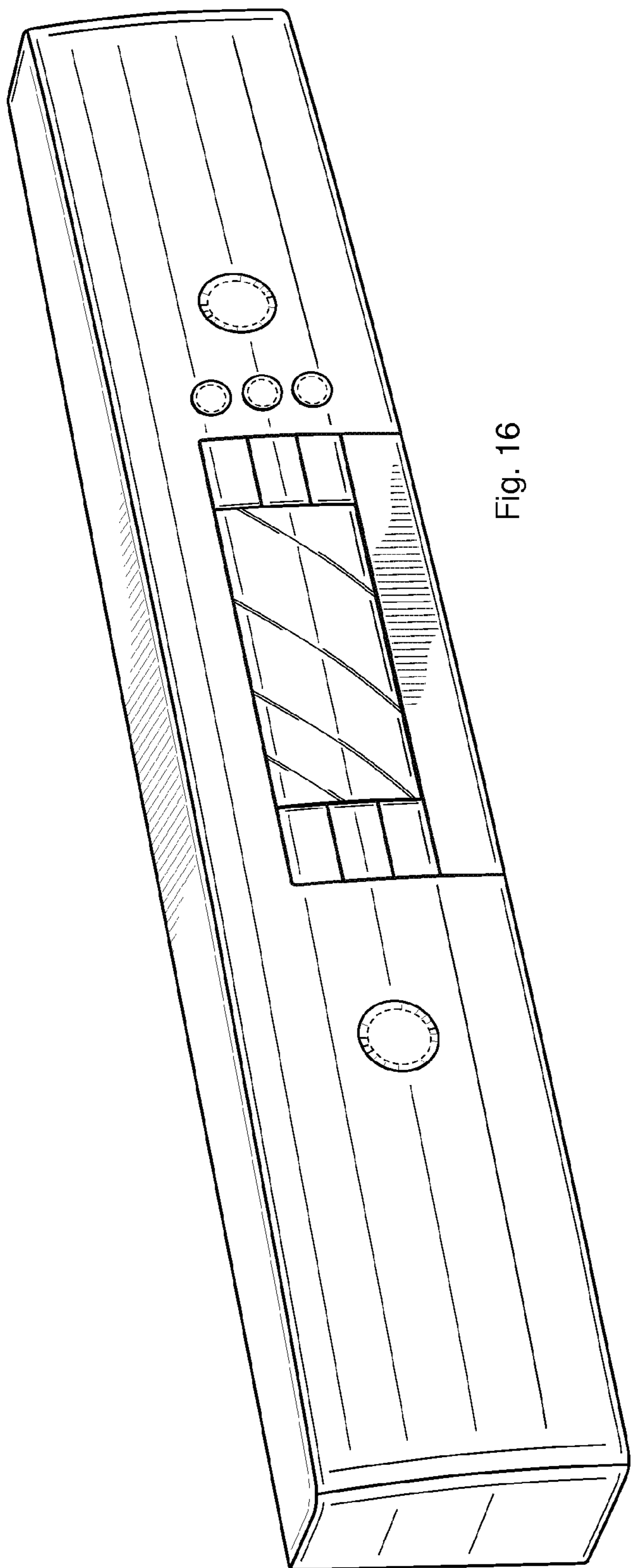


Fig. 16

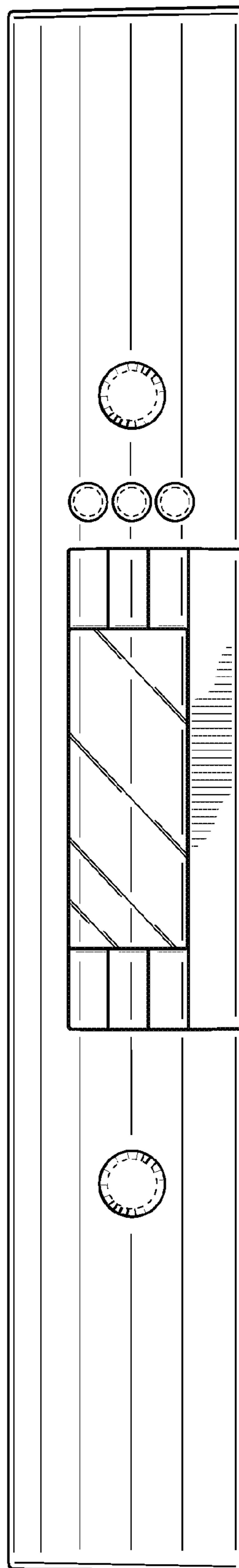


Fig. 17

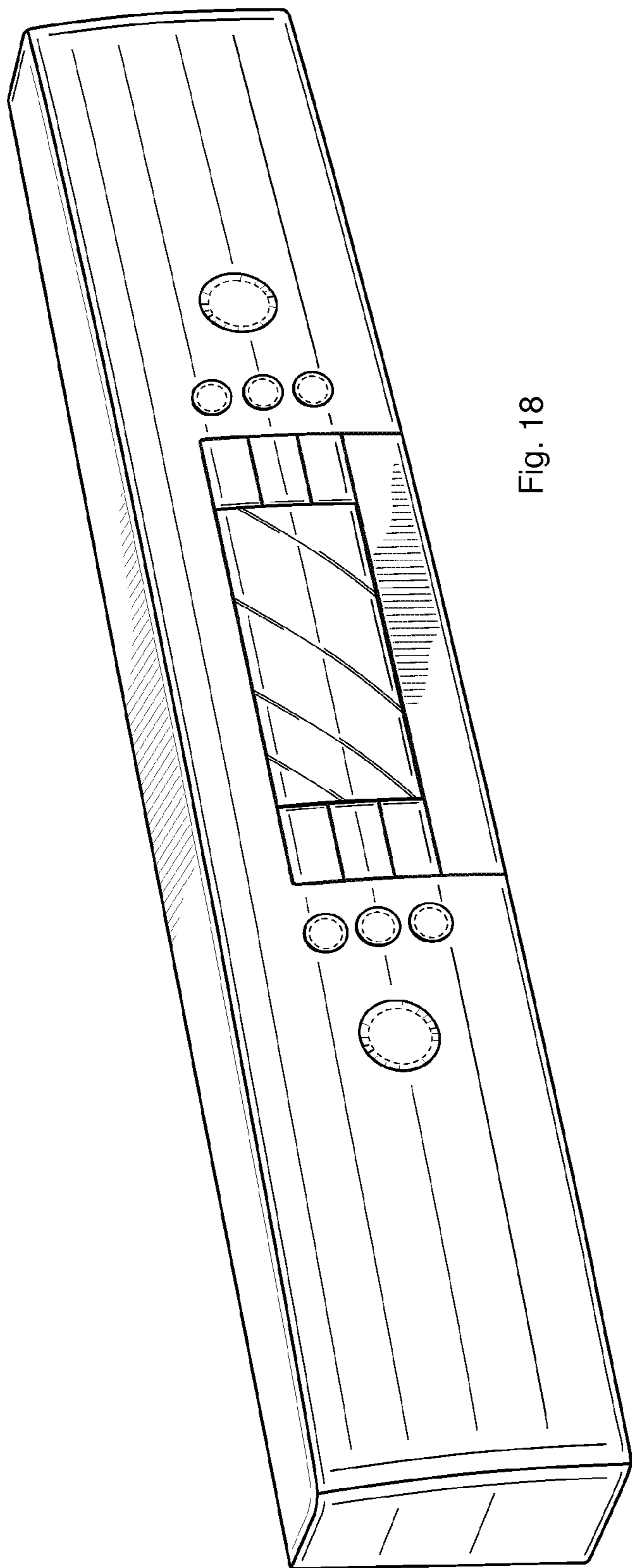


Fig. 18

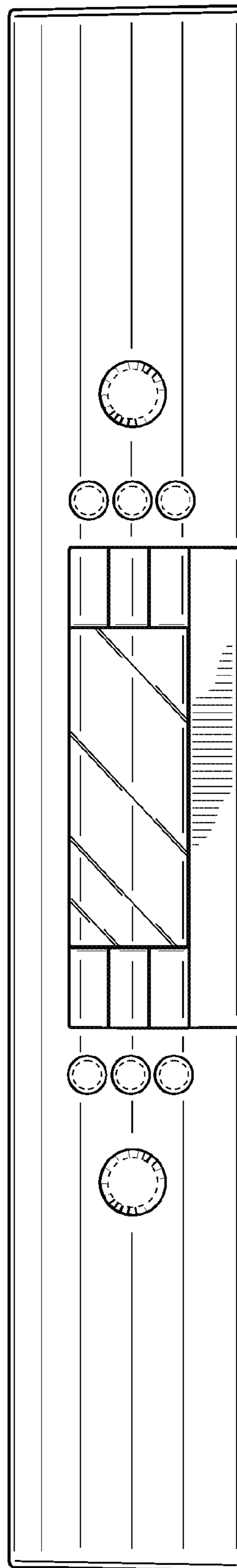


Fig. 19