



US00D630803S

(12) **United States Design Patent**  
**Lee et al.**

(10) **Patent No.:** **US D630,803 S**  
(45) **Date of Patent:** **\*\* Jan. 11, 2011**

(54) **EXPANDABLE PET GATE**  
(75) Inventors: **Melody Lee**, Markham (CA); **Kevin Xin**, Toronto (CA); **Lawrence Chun Hei Chu**, Shenzhen (CN)  
(73) Assignee: **Merry Products Corporation**, Markham, Ontario (CA)  
(\*\*) Term: **14 Years**  
(21) Appl. No.: **29/337,704**  
(22) Filed: **May 28, 2009**

3,617,028 A \* 11/1971 Bach et al. .... 256/19  
3,966,172 A \* 6/1976 Garrett ..... 256/12.5  
D244,459 S \* 5/1977 Kratky ..... D25/50  
4,073,478 A \* 2/1978 Bermudez ..... 256/27  
4,145,031 A 3/1979 Baker, II  
4,465,262 A \* 8/1984 Itri et al. .... 256/24  
4,537,151 A \* 8/1985 Bolton ..... 119/512  
D284,704 S \* 7/1986 Malkmus-Dornemann ... D25/50  
4,630,570 A \* 12/1986 Wilson et al. .... 119/512  
4,733,851 A 3/1988 Weiss  
4,821,679 A \* 4/1989 Hackert ..... 119/502  
4,844,424 A \* 7/1989 Knudslie ..... 256/26  
5,115,763 A \* 5/1992 Wilson ..... 119/512  
5,161,783 A \* 11/1992 German ..... 256/19

(51) **LOC (9) Cl.** ..... **30-99**  
(52) **U.S. Cl.** ..... **D30/199**  
(58) **Field of Classification Search** ..... D30/199,  
D30/119; 119/512-514, 499; D25/38, 50,  
D25/45, 119, 39, 42, 43; 256/24, 73, 67,  
256/26, 45, 33, 5, 21, 32, 19, 65.01, 1, 31;  
49/404, 50, 57, 55, 465, 125, 463; 160/211;  
16/236, 239, 366; 52/646; 292/137, 159,  
292/175, 150, 145, 152, 302, 303, DIG. 29,  
292/DIG. 38, DIG. 46

See application file for complete search history.

(56) **References Cited**  
**U.S. PATENT DOCUMENTS**  
33,937 A \* 12/1861 Foote ..... 256/1  
56,249 A \* 7/1866 Morley ..... 119/512  
232,683 A \* 9/1880 Chew ..... 119/514  
327,665 A \* 10/1885 Dawson ..... 119/502  
434,800 A \* 8/1890 McDaniel ..... 119/513  
688,818 A \* 12/1901 Baker ..... 119/512  
915,131 A 3/1909 Villard  
1,009,378 A 11/1911 Boardman  
1,285,193 A \* 11/1918 Hunt ..... 119/513  
2,603,456 A 7/1952 Ruopp  
2,678,629 A \* 5/1954 Meyer ..... 119/514  
2,744,729 A 5/1956 Potts  
2,797,959 A \* 7/1957 Brice ..... 296/50  
2,803,437 A \* 8/1957 Borges ..... 256/12.5  
2,979,027 A \* 4/1961 Corwin et al. .... 119/513  
3,204,606 A \* 9/1965 Parr et al. .... 119/514

(Continued)

*Primary Examiner*—Susan Moon Lee  
(74) *Attorney, Agent, or Firm*—Harness, Dickey & Pierce, P.L.C.

(57) **CLAIM**

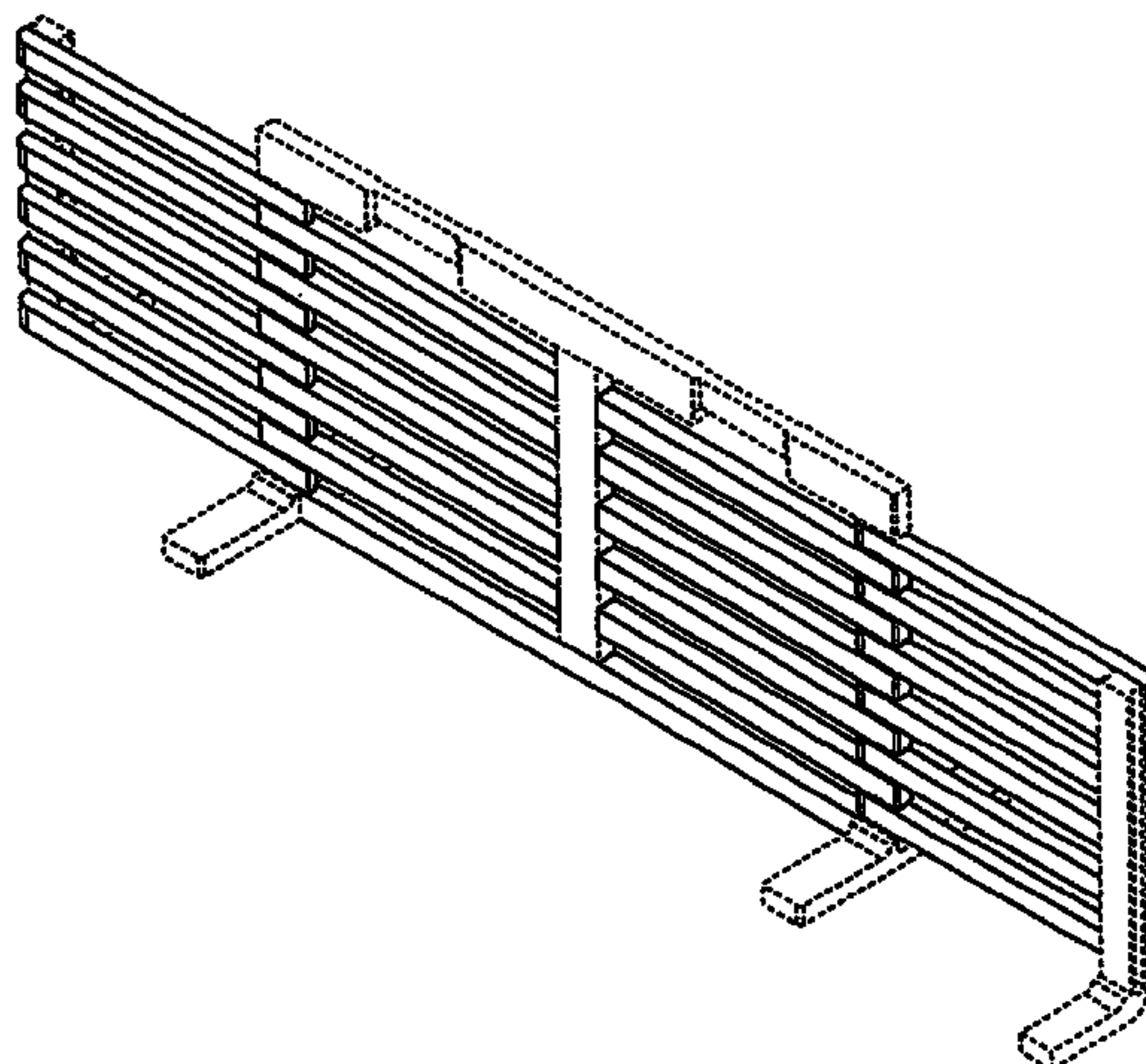
We claim the ornamental design for an expandable pet gate, as shown and described.

**DESCRIPTION**

FIG. 1 is a perspective view of an expandable pet gate showing our design, the expandable pet gate shown in an expanded condition;  
FIG. 2 is a perspective view thereof, the expandable pet gate shown in an unexpanded condition;  
FIG. 3 is a front view thereof;  
FIG. 4 is a rear view thereof;  
FIG. 5 is a right side view thereof, the opposite side to that shown being a mirror image thereof; and,  
FIG. 6 is a top view thereof.

In the drawings, the broken lines are for illustrative purposes only and form no part of the claimed design.

**1 Claim, 3 Drawing Sheets**



# US D630,803 S

Page 2

## U.S. PATENT DOCUMENTS

5,237,960	A *	8/1993	Wilson	.....	119/514	6,190,084	B1 *	2/2001	Ibanez	.....	404/6
D341,207	S *	11/1993	Freese et al.	.....	D25/38	6,257,559	B1	7/2001	Mouri		
5,282,606	A	2/1994	Praiss			6,267,082	B1	7/2001	Naragon et al.		
5,303,900	A *	4/1994	Zulick et al.	.....	256/65.05	D462,126	S *	8/2002	Englund	.....	D25/38
D353,206	S *	12/1994	Dunbar	.....	D25/42	6,450,123	B1	9/2002	Murray et al.		
D355,261	S *	2/1995	Abrams et al.	.....	D25/38	D465,286	S *	11/2002	Gregori	.....	D25/38
D373,199	S *	8/1996	Vanthournout	.....	D25/50	D474,282	S *	5/2003	Miller et al.	.....	D25/50
5,609,327	A	3/1997	Amidon			6,561,493	B1 *	5/2003	Lackey, Jr.	.....	256/73
D384,752	S *	10/1997	Scherer et al.	.....	D25/50	D485,619	S *	1/2004	Hoefler	.....	D25/38
D396,333	S *	7/1998	Alford et al.	.....	D30/119	6,964,246	B2	11/2005	Wolfington et al.		
6,027,104	A *	2/2000	Alexander et al.	.....	256/25	7,210,427	B1 *	5/2007	Dillman	.....	119/512
D422,367	S *	4/2000	Mishina	.....	D25/38	7,234,415	B2	6/2007	Dietz		
6,067,940	A *	5/2000	Holder	.....	119/512	D572,051	S *	7/2008	Jannetides, Sr.	.....	D6/505
6,123,321	A	9/2000	Miller			7,493,874	B2	2/2009	Simpson et al.		
6,152,081	A	11/2000	Baker			D592,761	S *	5/2009	Gessford et al.	.....	D25/50
6,161,334	A *	12/2000	Goodin	.....	49/125	D614,316	S *	4/2010	Cochrane	.....	D25/119
						D615,670	S *	5/2010	Cochrane	.....	D25/119

\* cited by examiner

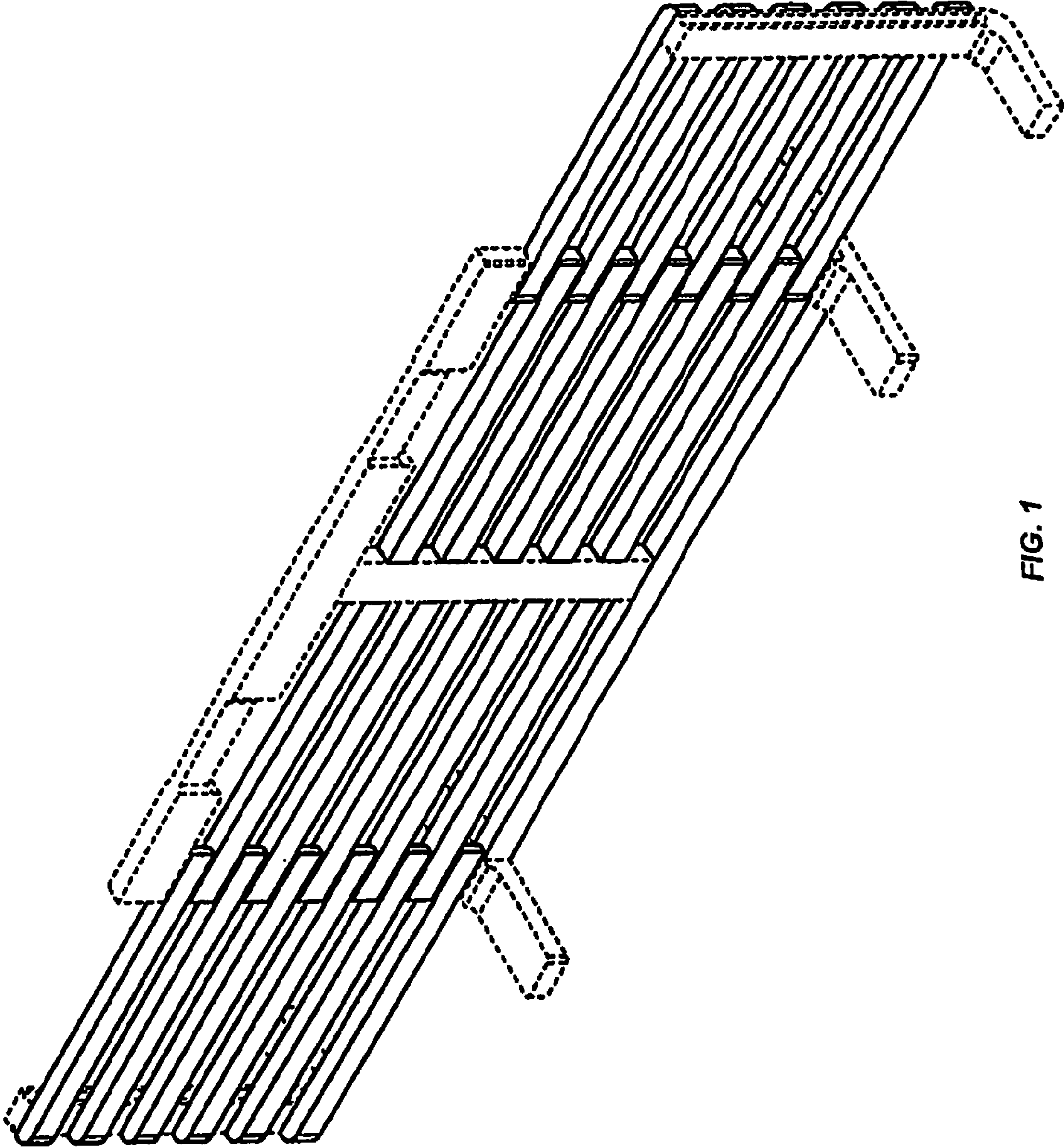


FIG. 1



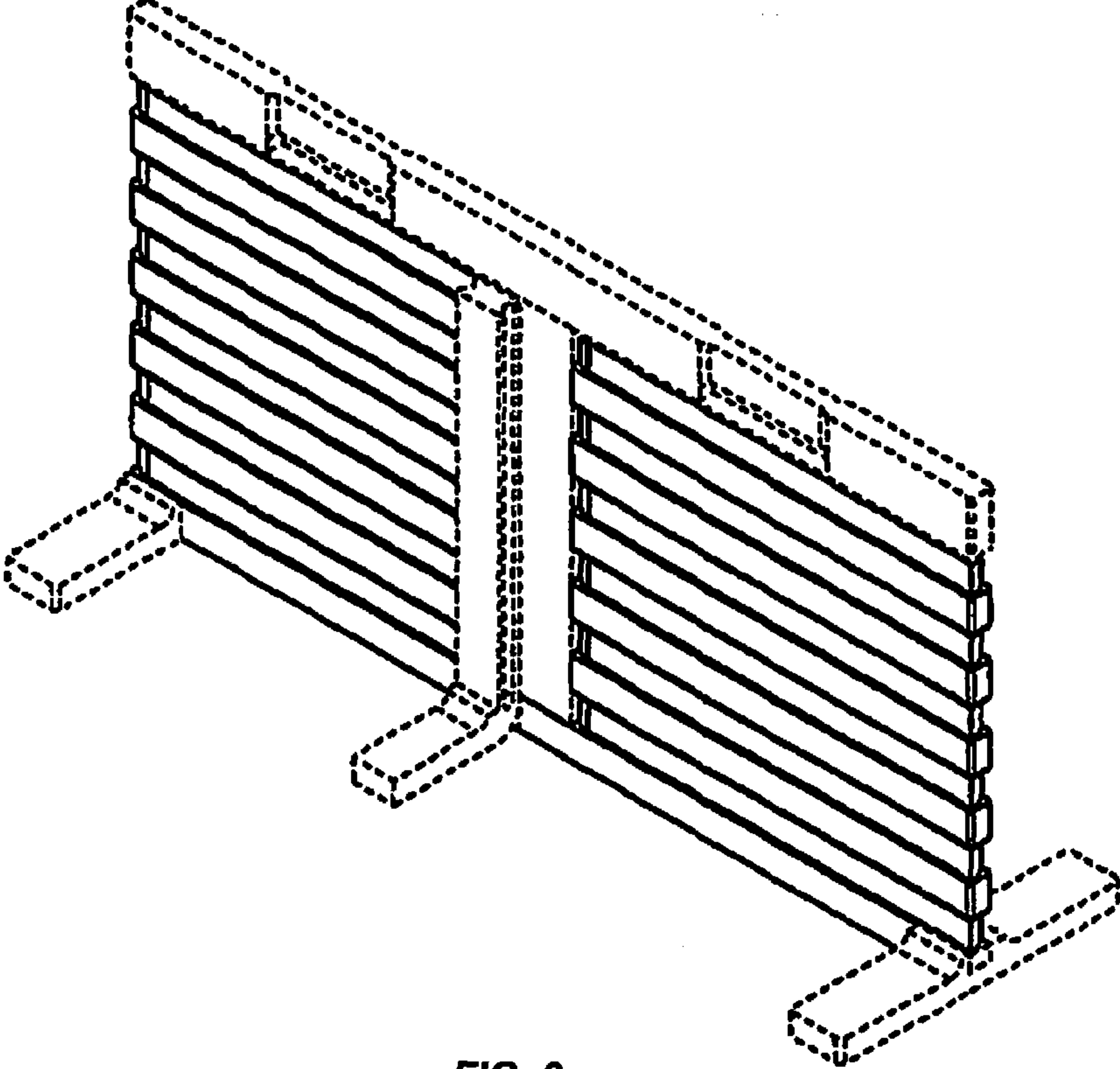


FIG. 2

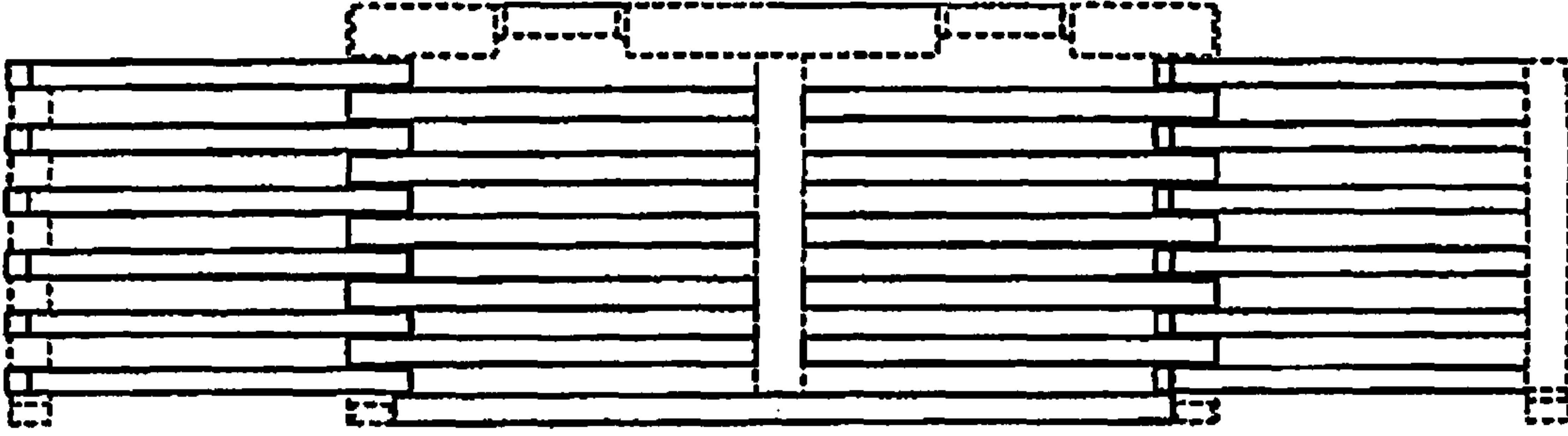


FIG. 3

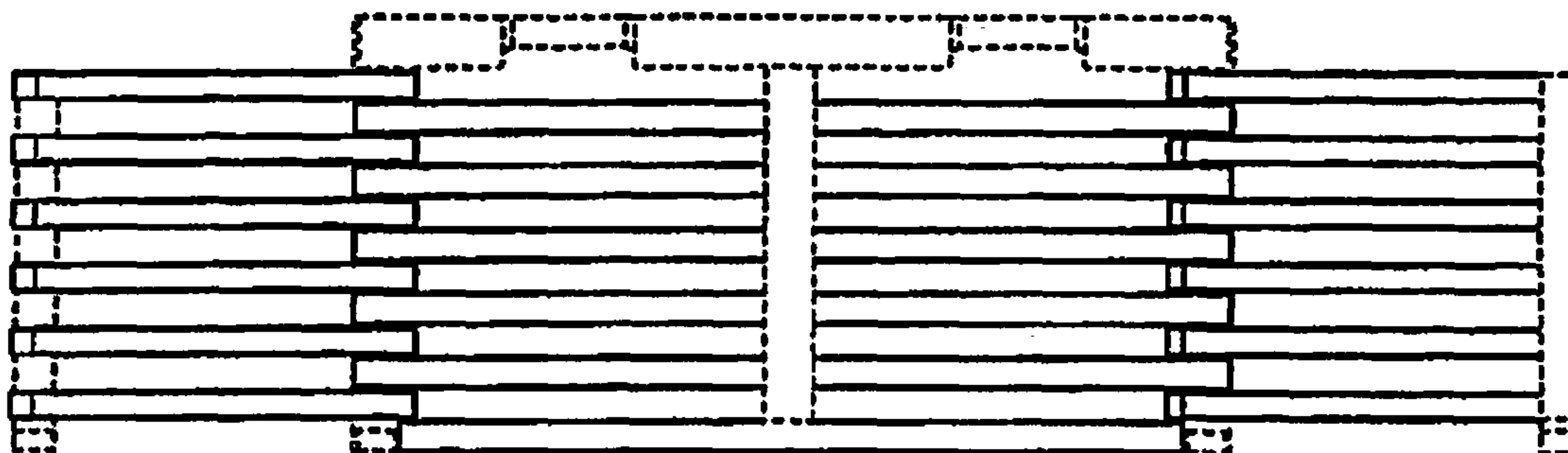


FIG. 4

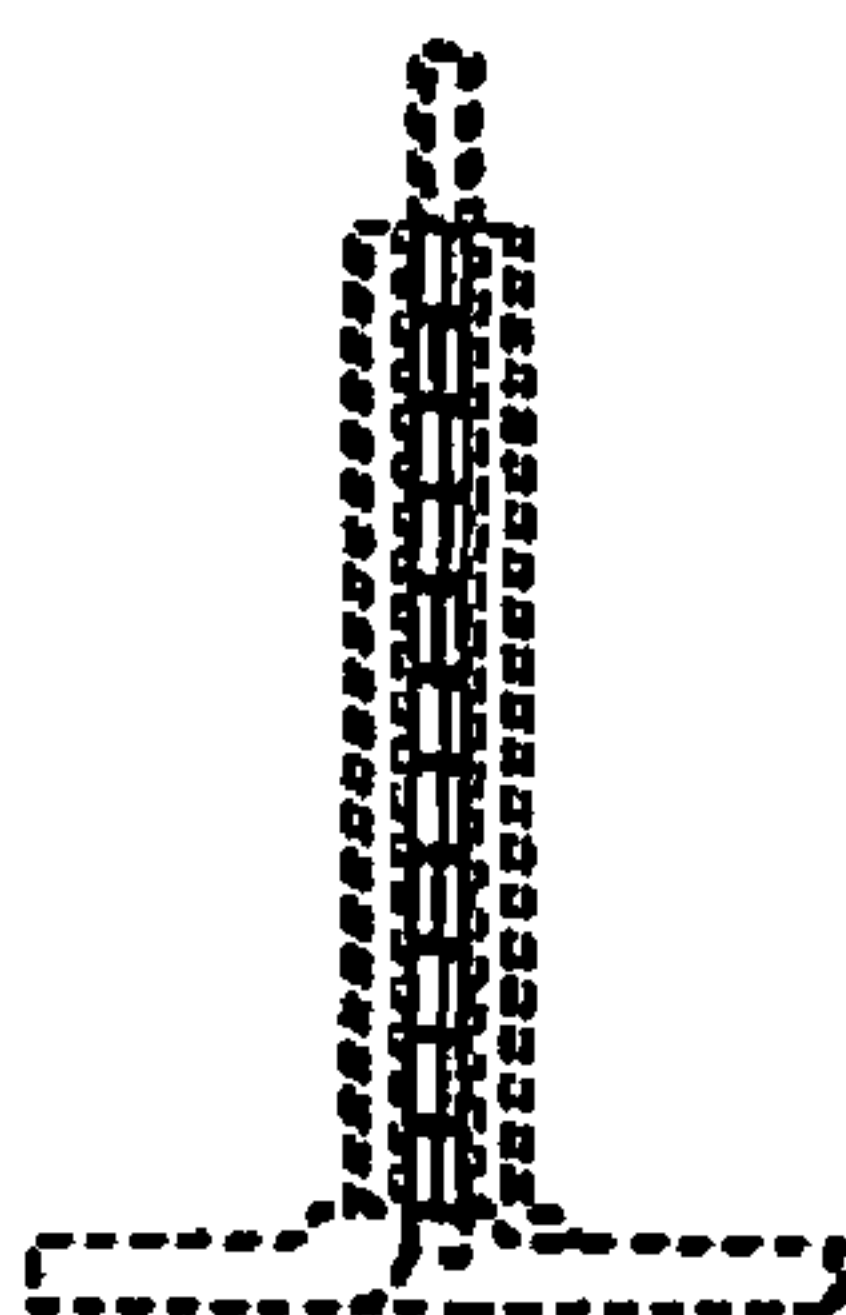


FIG. 5

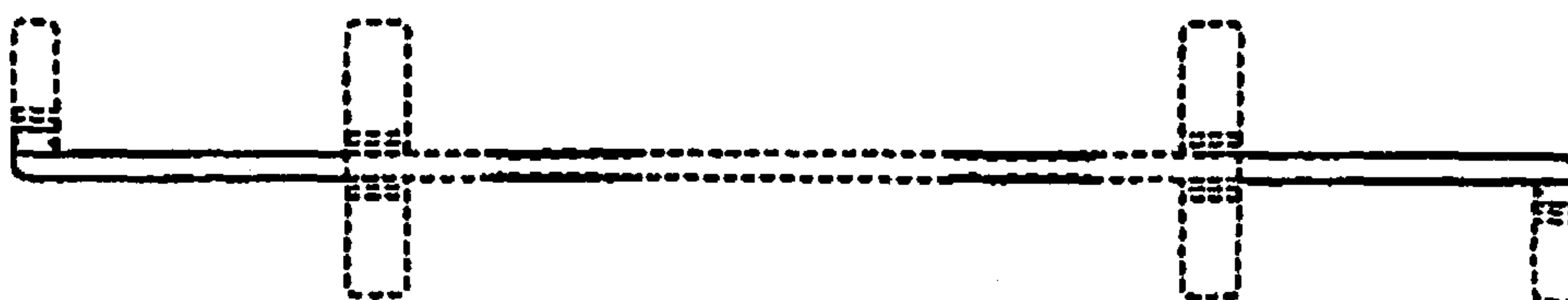


FIG. 6