



US00D630802S

(12) **United States Design Patent**
Meritt

(10) **Patent No.:** **US D630,802 S**

(45) **Date of Patent:** **** Jan. 11, 2011**

(54) **WILDLIFE FEEDER**

(75) Inventor: **Rick Meritt**, Gilmer, TX (US)

(73) Assignee: **Rick Meritt Investments, Ltd.**, Gilmer, TX (US)

(**) Term: **14 Years**

(21) Appl. No.: **29/362,135**

(22) Filed: **May 20, 2010**

(51) **LOC (9) Cl.** **30-03**

(52) **U.S. Cl.** **D30/121**

(58) **Field of Classification Search** D30/133,
D30/121, 122, 124, 127, 128, 132, 131; 119/51.01,
119/61, 51.04, 53, 57.91, 54, 53.5, 52.4,
119/51.11, 63, 61.2, 52.1, 57.5, 57.6, 51.13,
119/62, 75, 500, 501; 239/7, 687, 379, 397.5;
222/199, 181.1, 181.2, 185.1, 557, 156, 485,
222/486, 548, 555; 220/200, 227, 247, 262;
221/174, 185.1, 289, 295, 296, 559; 454/35;
209/270, 283, 244; 52/194, 192; 49/279,
49/344, 357; D34/28

See application file for complete search history.

(56) **References Cited**

U.S. PATENT DOCUMENTS

1,561,299	A *	11/1925	Banks	119/52.1
1,818,419	A *	8/1931	Miller	119/53.5
D168,337	S *	12/1952	Cusenbary	D30/121
D174,781	S *	5/1955	Sturma	D30/121
D309,963	S *	8/1990	Cureton	D30/122
5,339,996	A *	8/1994	Dubbert et al.	222/185.1
5,740,757	A *	4/1998	Smeester	119/51.02
5,906,174	A *	5/1999	Muldoon	119/54
D486,946	S *	2/2004	Castro	D30/121
D488,889	S *	4/2004	Walsh	D30/121
6,920,841	B2 *	7/2005	Meritt	119/51.01
7,028,635	B1 *	4/2006	Eastman, II	119/51.11

7,222,583	B2 *	5/2007	Foster et al.	119/57.91
7,370,605	B2 *	5/2008	Meritt	119/51.01
7,395,783	B2 *	7/2008	Wooley et al.	119/53.5
D575,908	S *	8/2008	Meritt	D30/133
7,523,717	B2 *	4/2009	Nicholes	119/51.01
D604,017	S *	11/2009	Meritt	D30/121
7,780,027	B2 *	8/2010	Coady	220/23.86
2005/0229860	A1 *	10/2005	Meritt	119/53
2006/0283396	A1 *	12/2006	Hernandez	119/51.13
2009/0241845	A1 *	10/2009	Croft	119/51.11

* cited by examiner

Primary Examiner—Susan Moon Lee

(74) *Attorney, Agent, or Firm*—Gardere Wynne Sewell, LLP

(57) **CLAIM**

The ornamental design for a wildlife feeder, as shown and described.

DESCRIPTION

FIG. 1 is a perspective view of a wildlife feeder according to my new design;

FIG. 2 is a left side elevation view of the wildlife feeder shown in FIG. 1;

FIG. 3 is a right side elevation view of the wildlife feeder shown in FIG. 1;

FIG. 4 is a front elevation view of the wildlife feeder shown in FIG. 1;

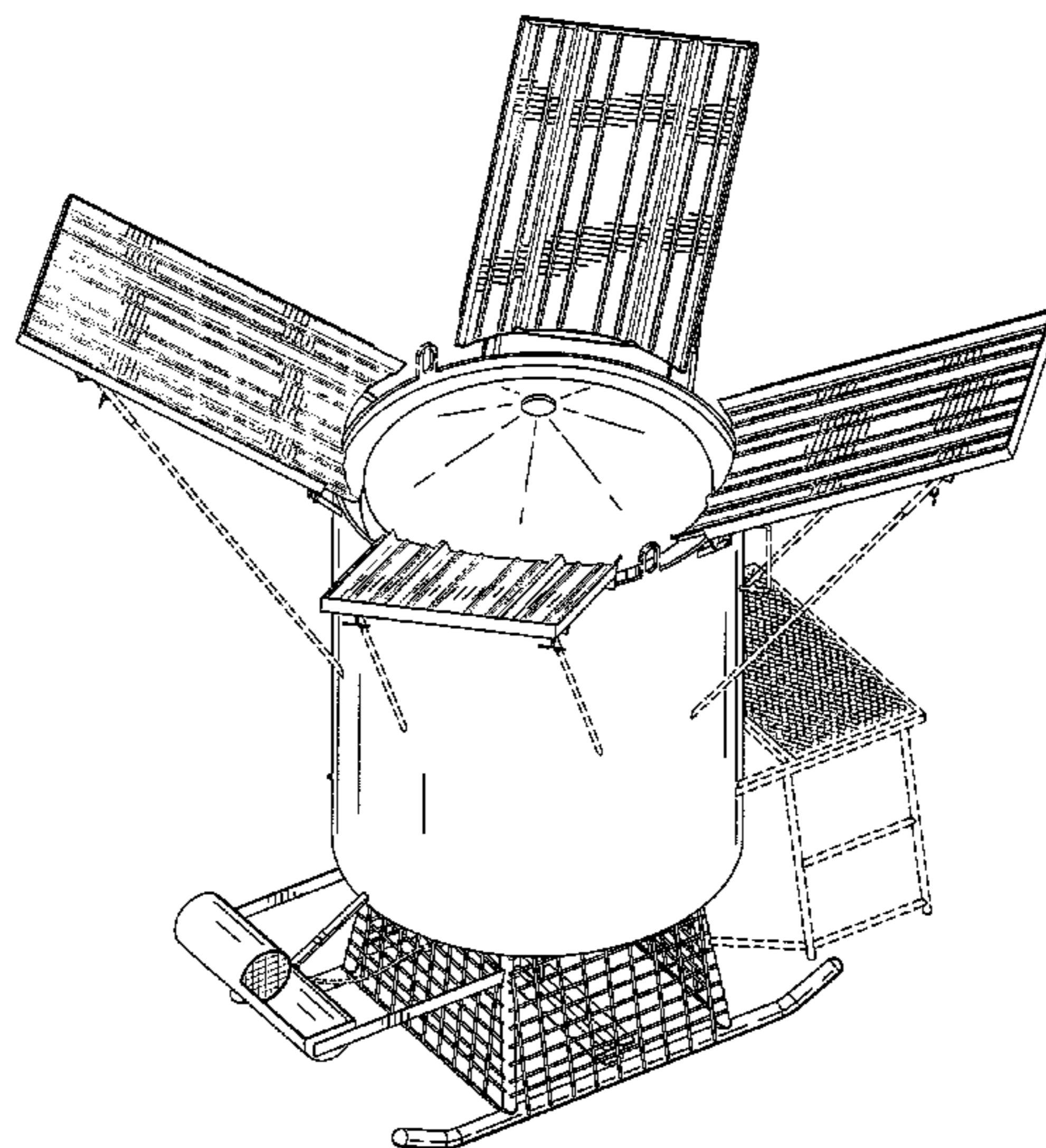
FIG. 5 is a rear elevation view of the wildlife feeder shown in FIG. 1;

FIG. 6 is a top plan view of the wildlife feeder shown in FIG. 1; and,

FIG. 7 is a bottom plan view of the wildlife feeder shown in FIG. 1.

The broken lines are for illustrative purposes only and form no part of the claimed design.

1 Claim, 7 Drawing Sheets



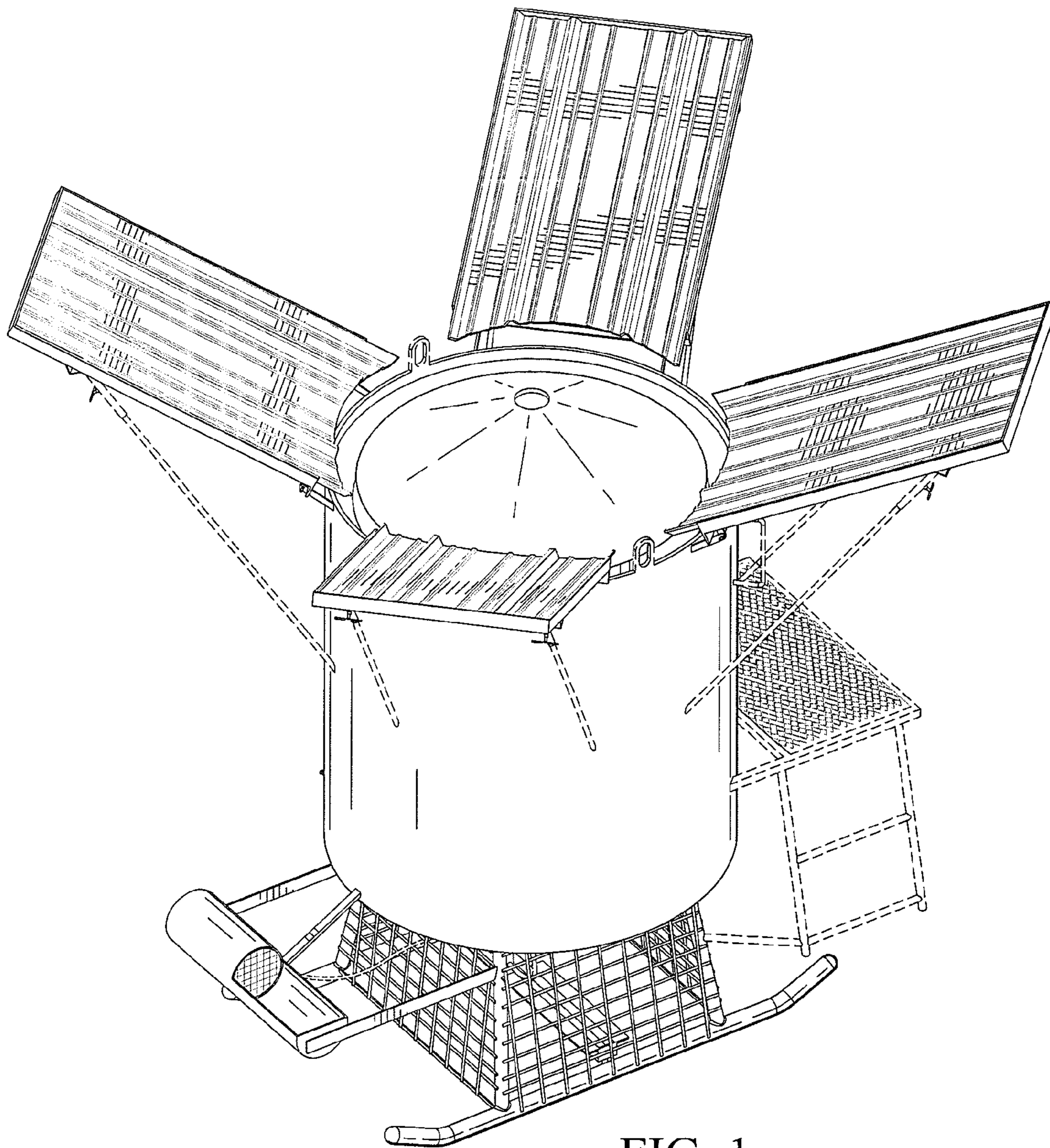


FIG. 1

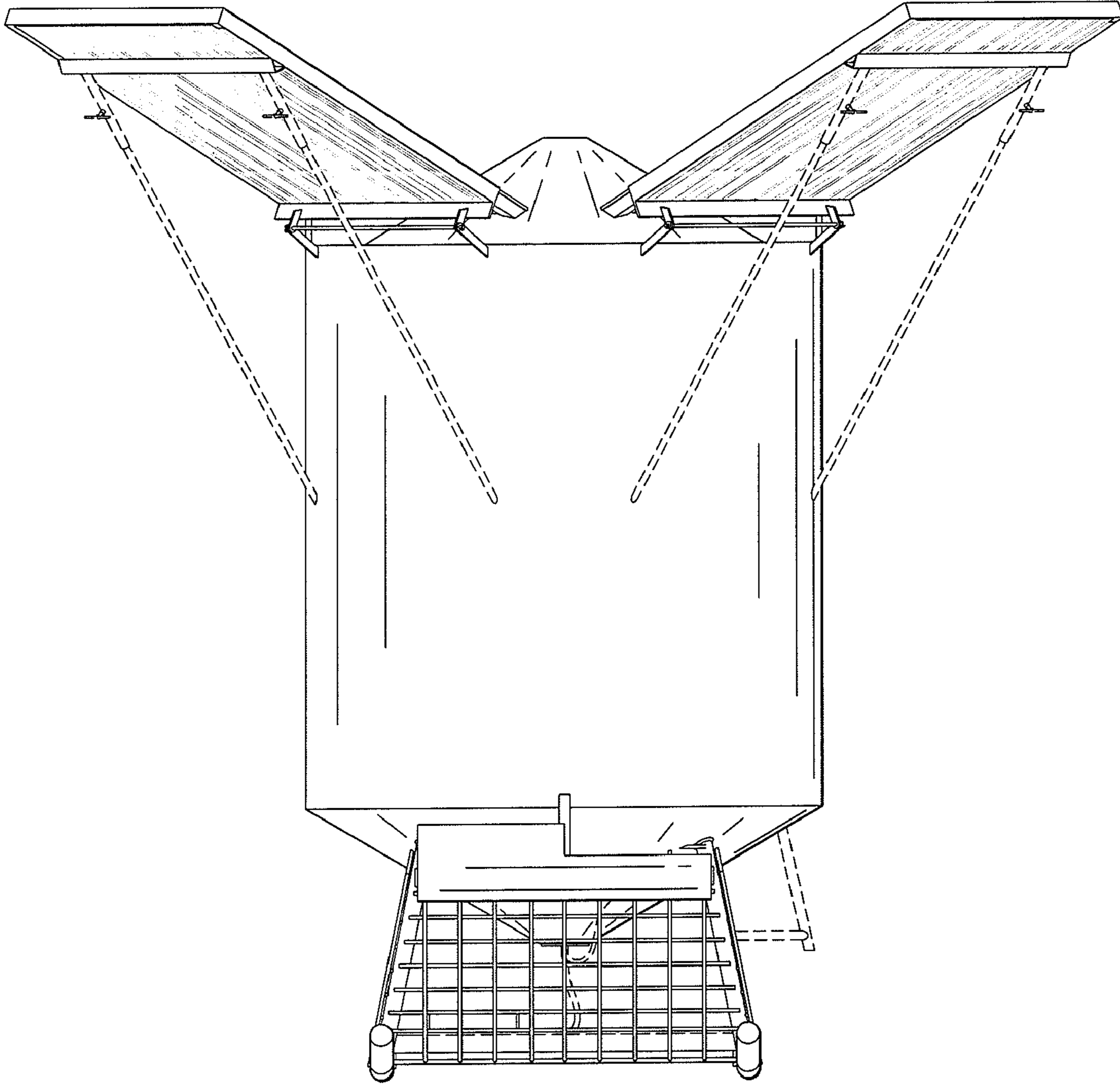


FIG. 2

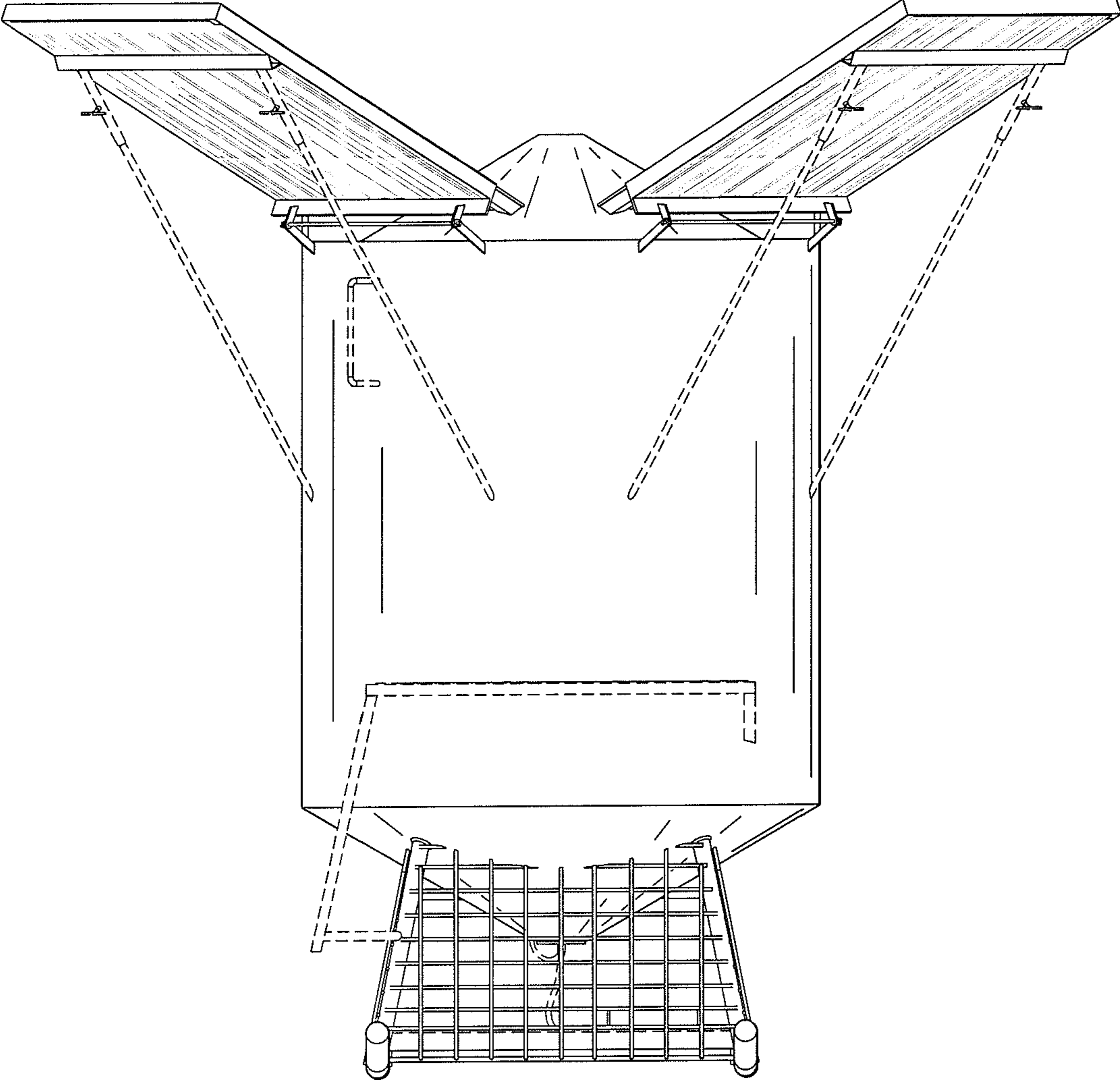


FIG. 3

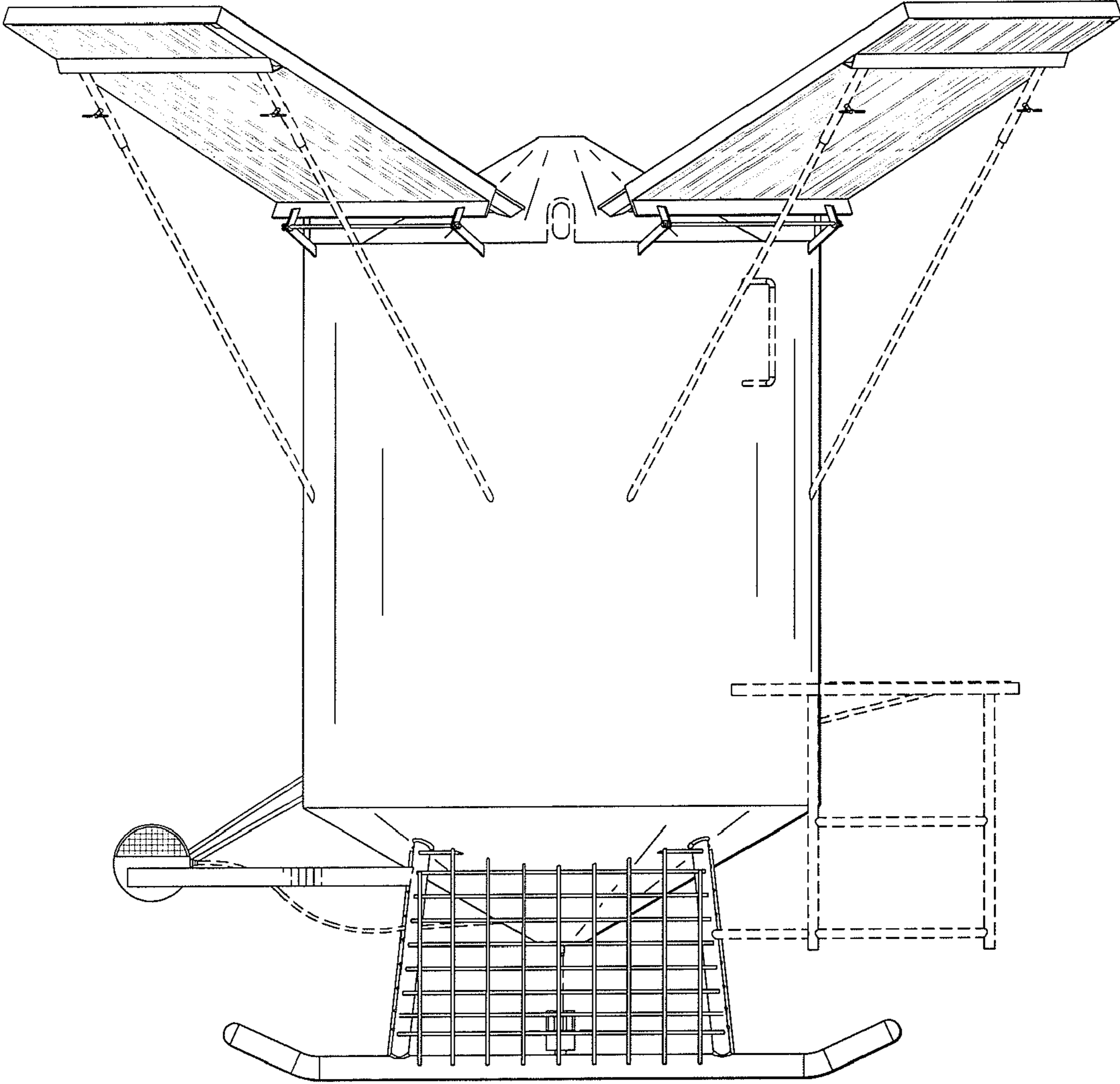


FIG. 4

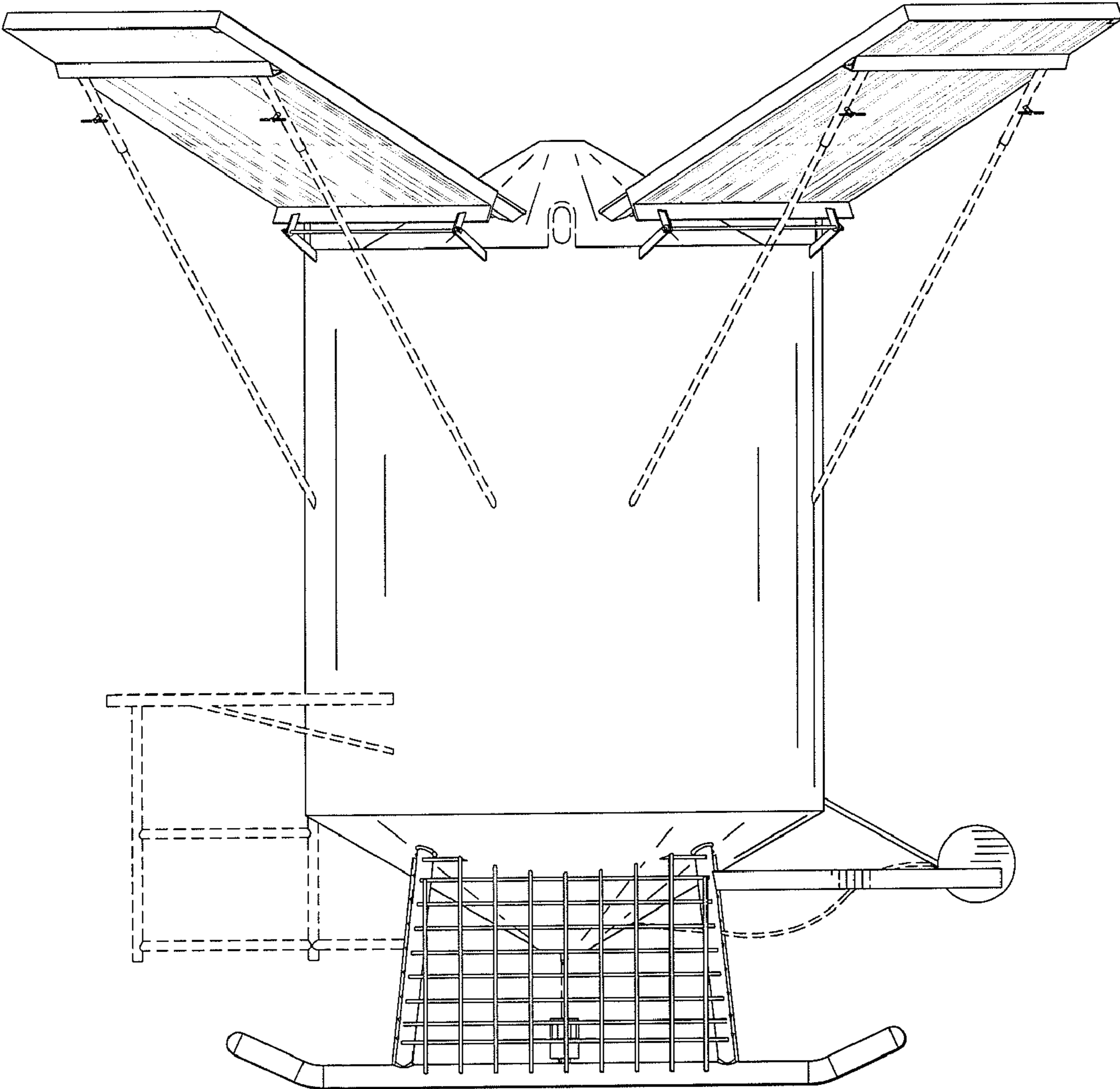


FIG. 5

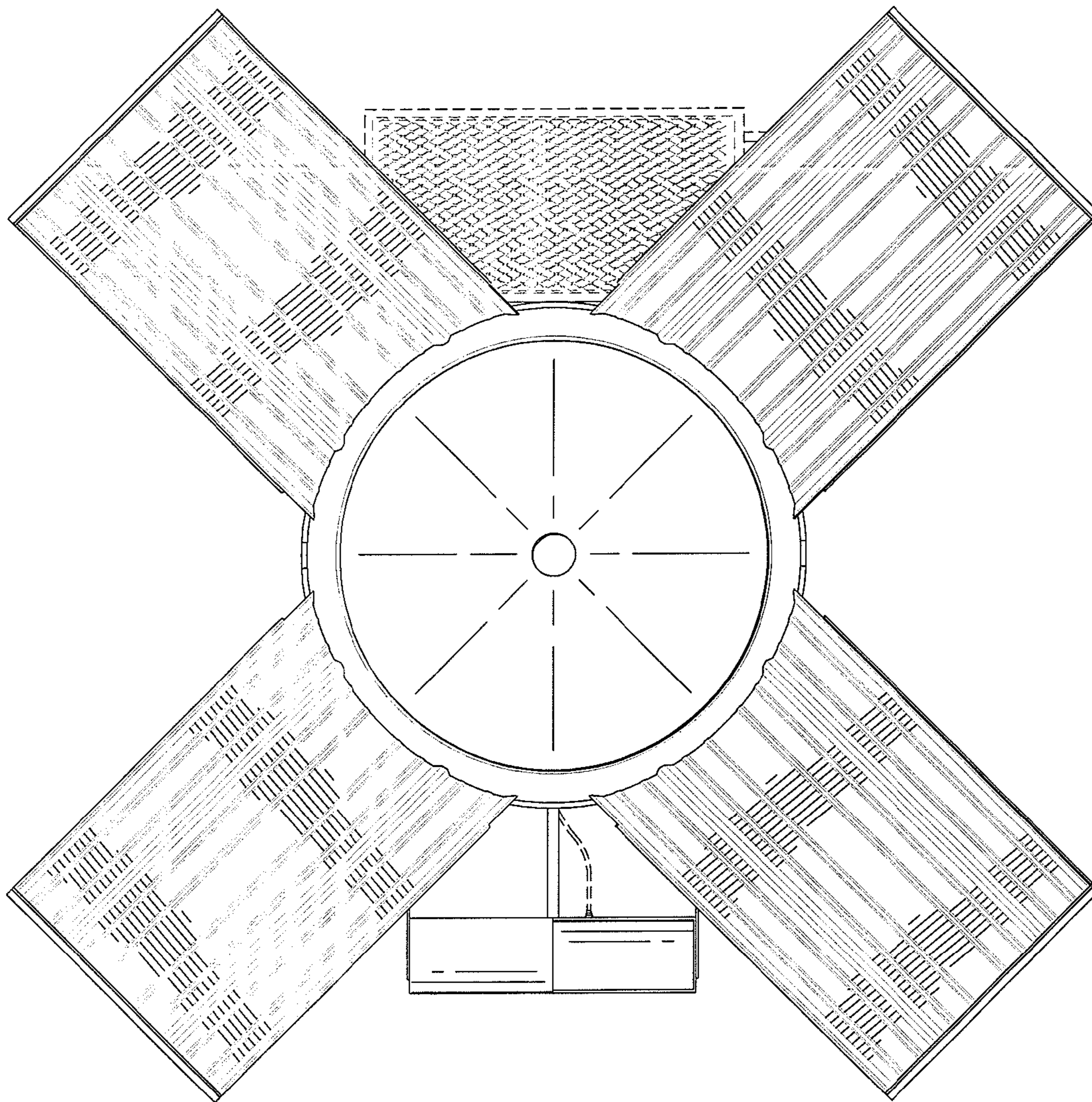


FIG. 6

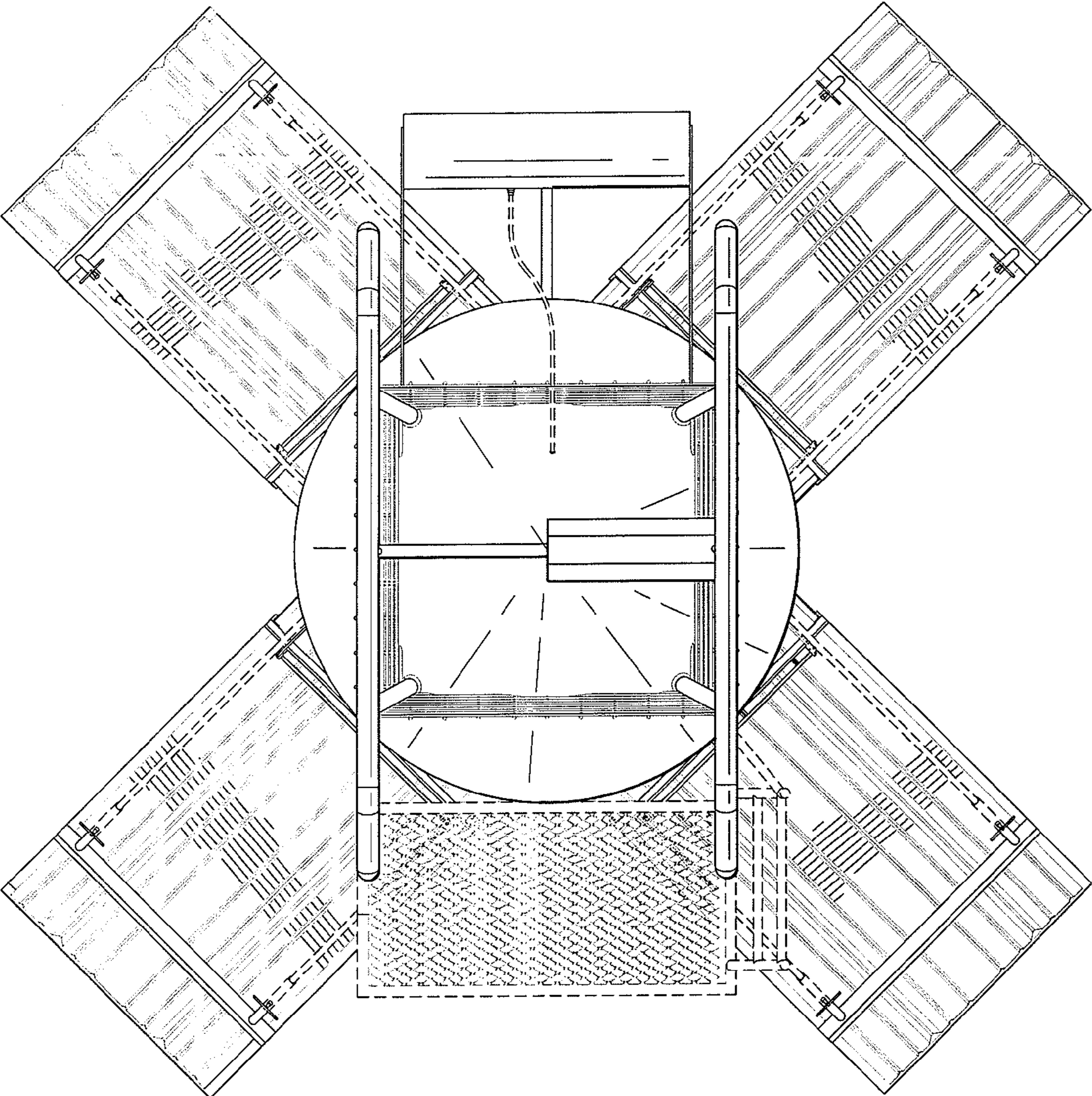


FIG. 7