



US00D630798S

(12) **United States Design Patent**
Choi

(10) **Patent No.:** **US D630,798 S**

(45) **Date of Patent:** **** Jan. 11, 2011**

(54) **NAIL CLIPPER**

(76) Inventor: **Hong Hyun Choi**, Rm. 1409,
Gangbyeon Hanshin Core, Mapo-dong,
Mapo-gu, Seoul (KR) 121-703

(**) Term: **14 Years**

(21) Appl. No.: **29/359,155**

(22) Filed: **Apr. 7, 2010**

(51) **LOC (9) Cl.** **28-03**

(52) **U.S. Cl.** **D28/60**

(58) **Field of Classification Search** D28/57,
D28/60; 132/73, 73.5, 75.3, 75.4, 75.5, 75.6,
132/76.2; 30/26-29, 186

See application file for complete search history.

(56) **References Cited**

U.S. PATENT DOCUMENTS

D175,769 S * 10/1955 Huber D28/60
3,042,047 A * 7/1962 Plaskon 132/75.5

D551,390 S * 9/2007 Hwang D28/60
D586,045 S * 2/2009 Goddert D28/60

* cited by examiner

Primary Examiner—Jennifer Rivard

(74) *Attorney, Agent, or Firm*—Jason Y. Pahng

(57) **CLAIM**

The ornamental design for a nail clipper, as shown and described.

DESCRIPTION

FIG. 1 is a perspective view of the nail clipper;

FIG. 2 is a front view thereof;

FIG. 3 is a rear view thereof;

FIG. 4 is a left side elevation view thereof;

FIG. 5 is a right side elevation view thereof;

FIG. 6 is a top plan view thereof; and,

FIG. 7 is a bottom plan view thereof.

1 Claim, 3 Drawing Sheets

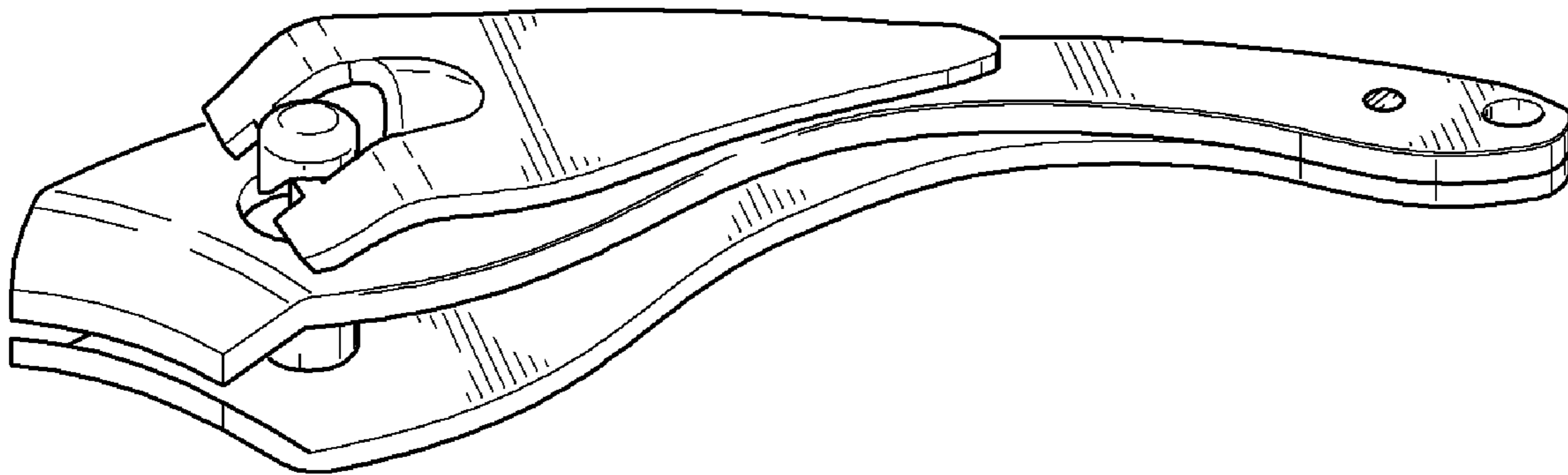


FIG. 1

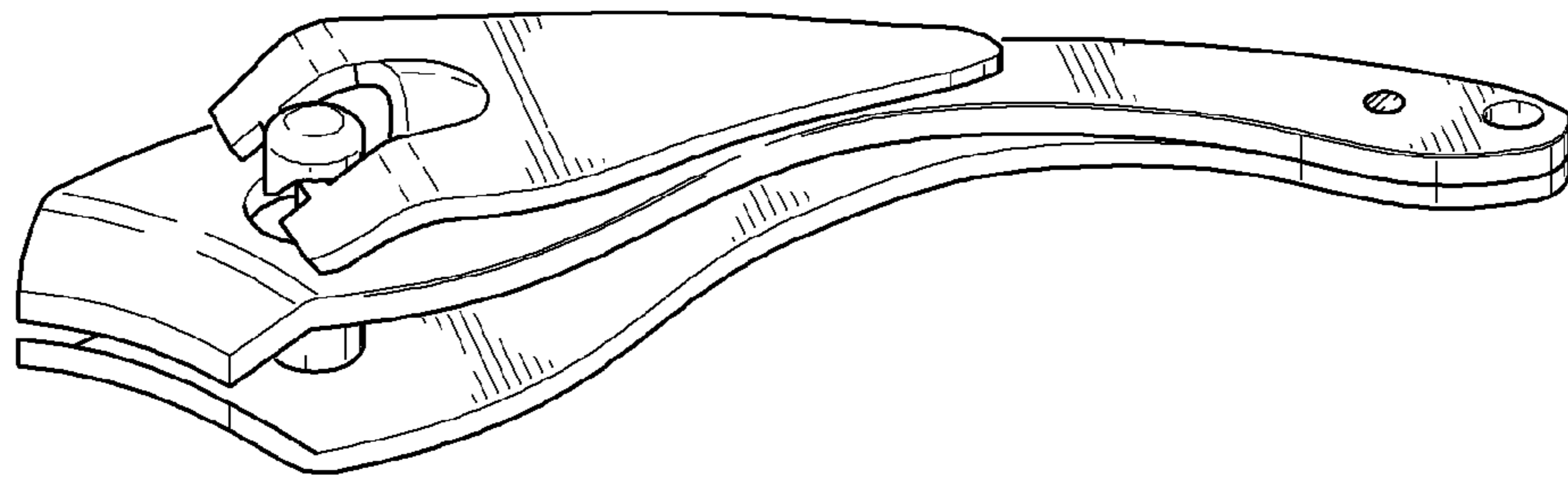


FIG. 2

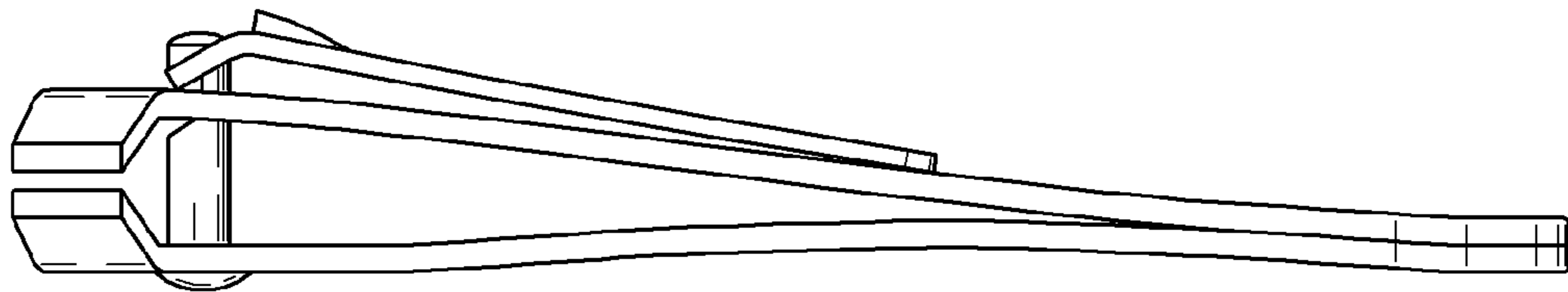


FIG. 3

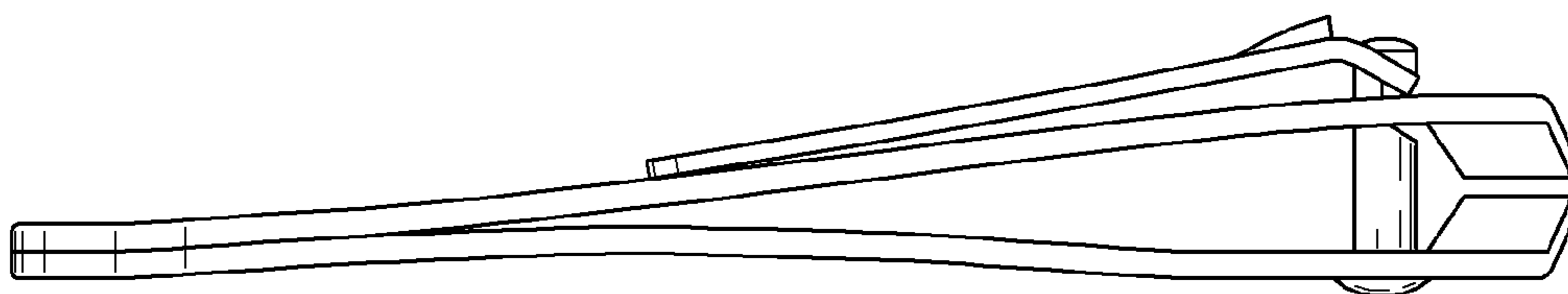


FIG. 4

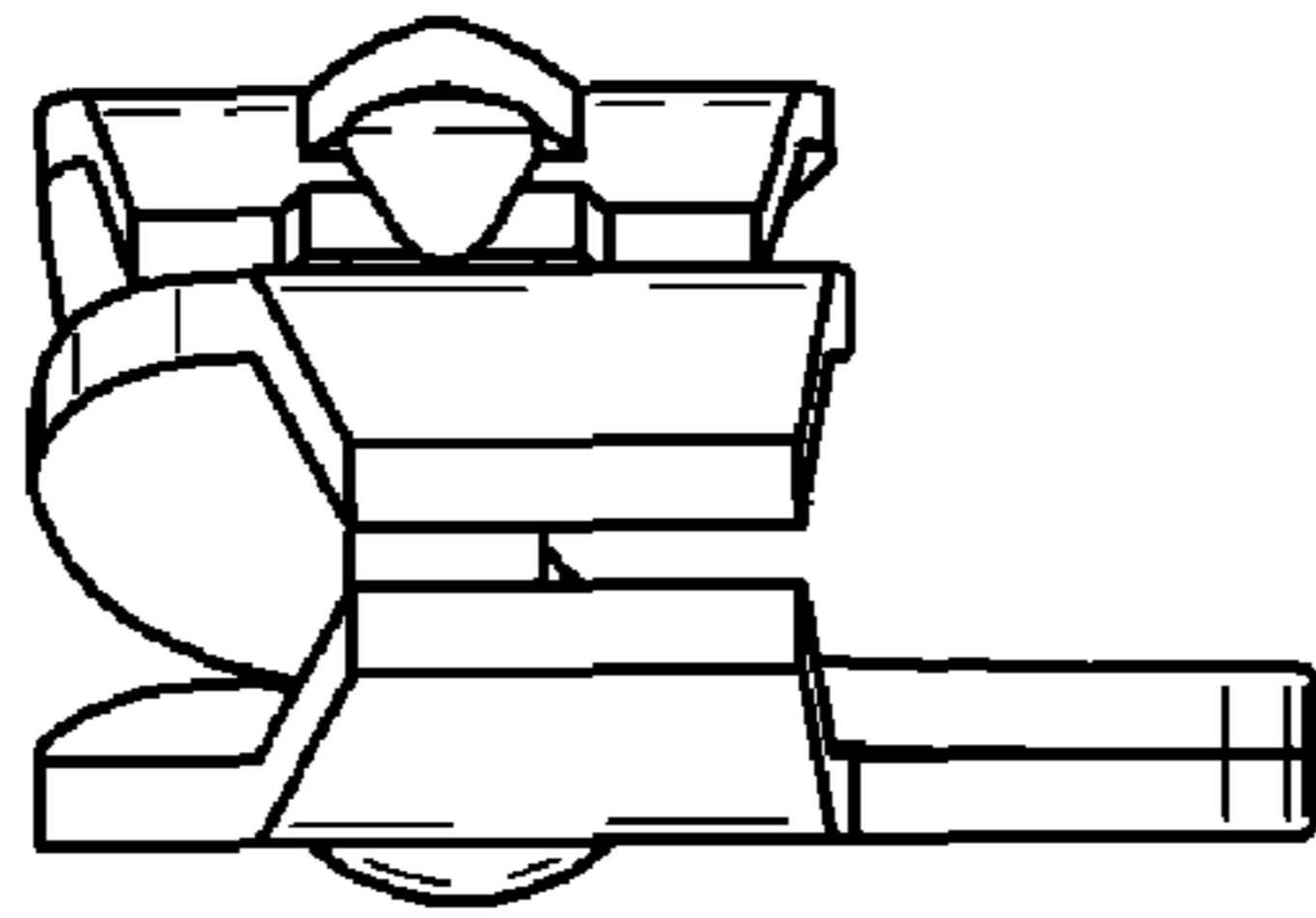


FIG. 5

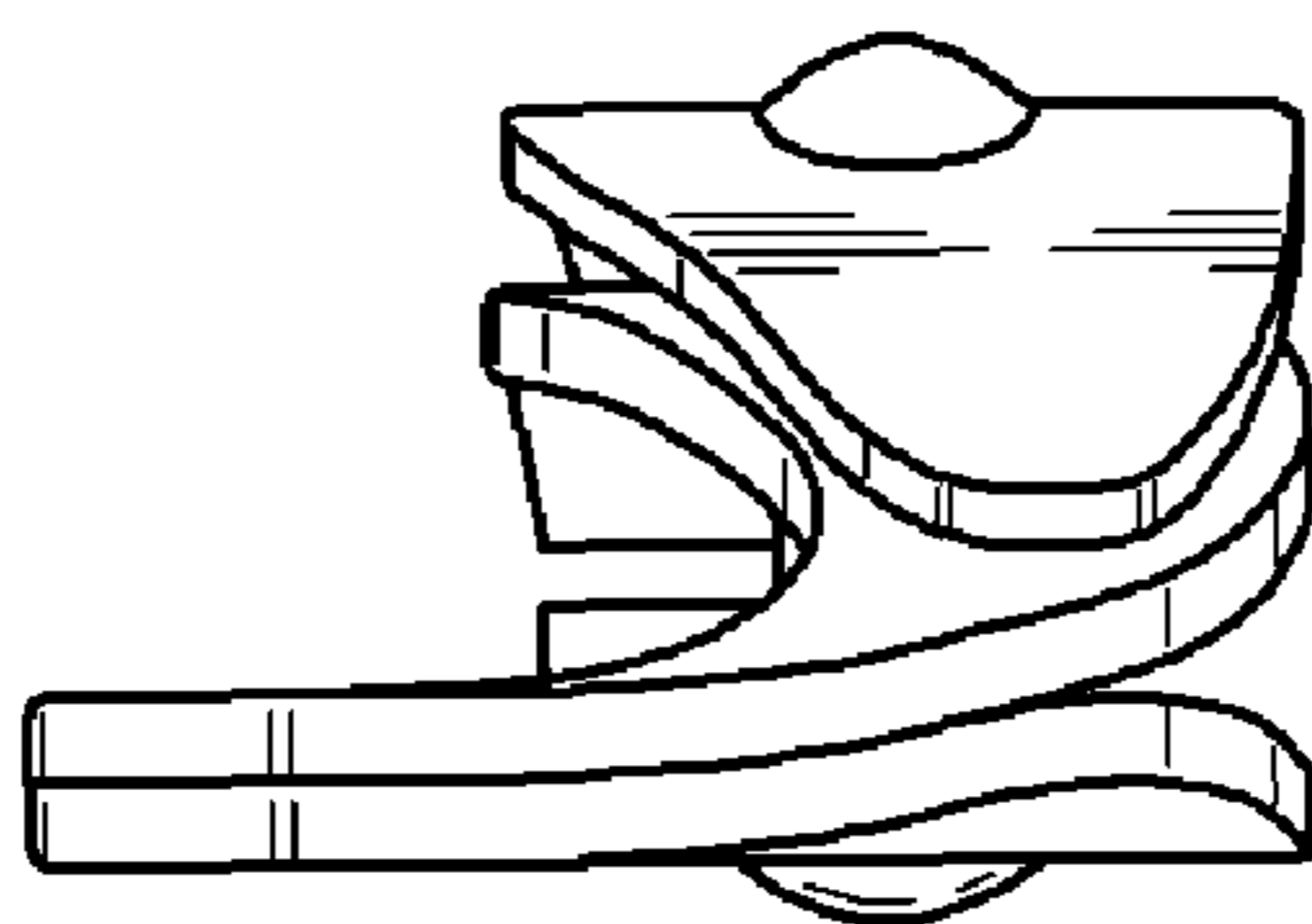


FIG. 6

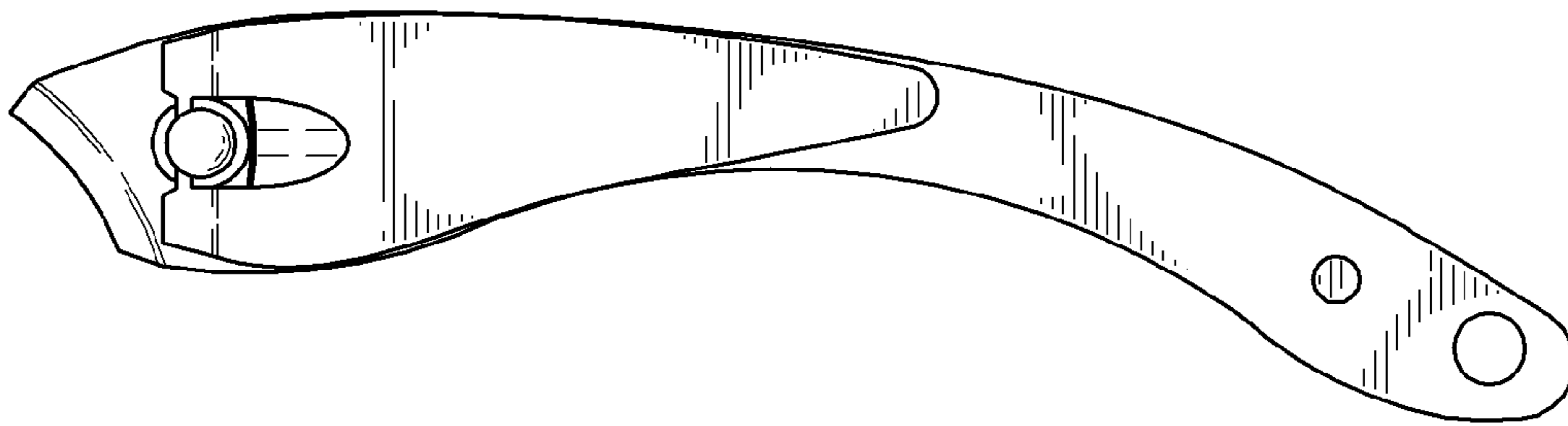


FIG. 7

