



US00D630797S

(12) **United States Design Patent**
Witkus

(10) **Patent No.:** **US D630,797 S**
(45) **Date of Patent:** **** Jan. 11, 2011**

(54) **RAZOR CARTRIDGE**

(75) Inventor: **Stephen Charles Witkus**, Northbridge,
MA (US)

(73) Assignee: **The Gillette Company**, Boston, MA
(US)

(**) Term: **14 Years**

(21) Appl. No.: **29/356,733**

(22) Filed: **Mar. 2, 2010**

(51) **LOC (9) Cl.** **28-03**

(52) **U.S. Cl.** **D28/47**

(58) **Field of Classification Search** 30/32,
30/34.05, 34.1-34.2, 41, 44-46, 47-51, 57-58,
30/77-84, 526-536, 537-539; D28/44-49
See application file for complete search history.

(56) **References Cited**

U.S. PATENT DOCUMENTS

D298,068 S 10/1988 Gilder
5,134,775 A 8/1992 Althaus et al.
D601,753 S * 10/2009 Cataudella et al. D28/47
D602,634 S * 10/2009 Cataudella et al. D28/46

D611,199 S * 3/2010 Kwiecien et al. D28/47

* cited by examiner

Primary Examiner—Jennifer Rivard

(74) *Attorney, Agent, or Firm*—Joanne N. Pappas; Kevin C.
Johnson; Steven W. Miller

(57) **CLAIM**

The ornamental design for a razor cartridge, as shown and
described.

DESCRIPTION

FIG. 1 is a perspective view of a razor cartridge of the present
invention;

FIG. 2 is a front view thereof;

FIG. 3 is rear view thereof;

FIG. 4 is a right side view thereof;

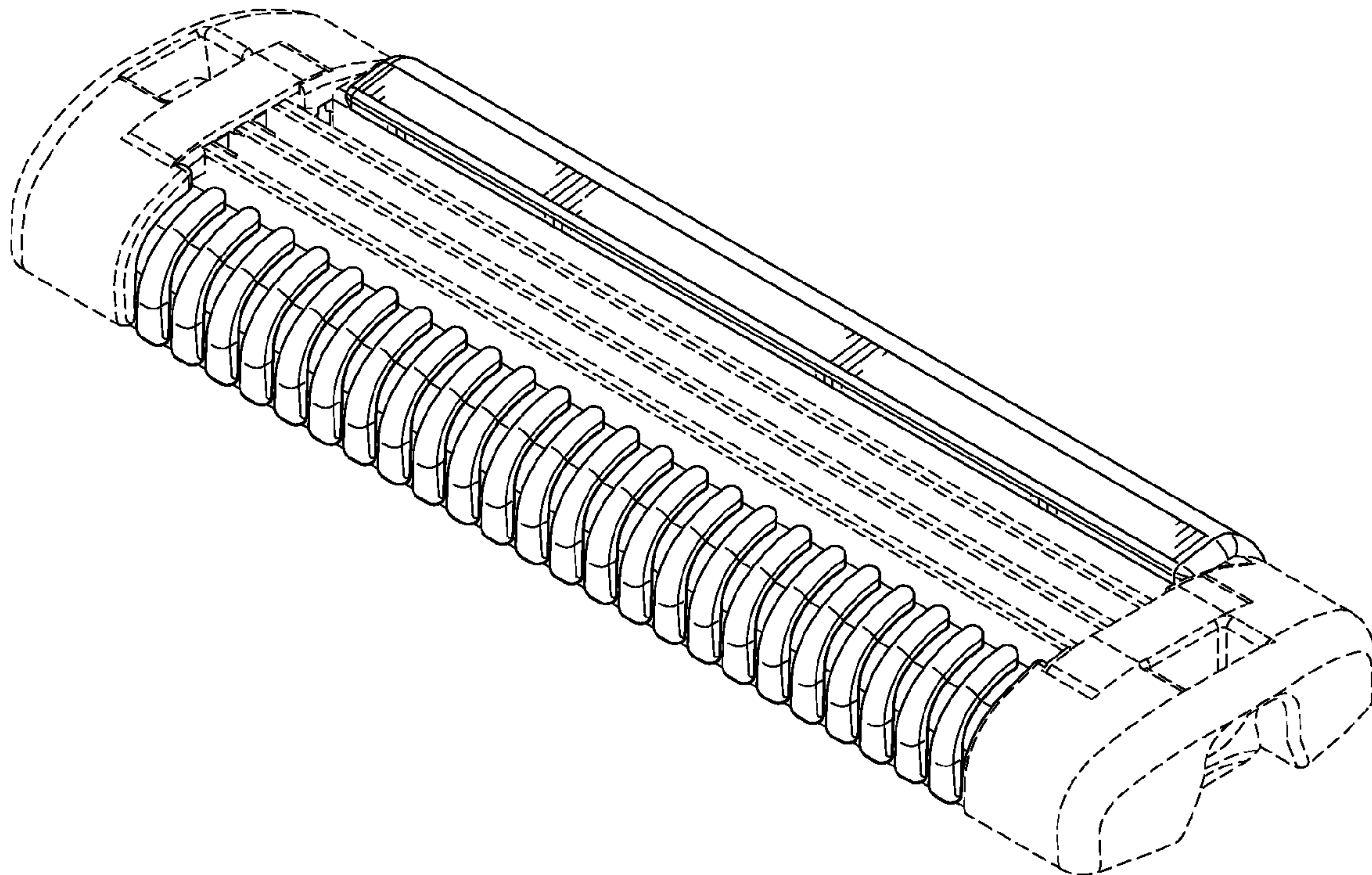
FIG. 5 is a left side view thereof;

FIG. 6 is a top view thereof; and,

FIG. 7 is a bottom view thereof.

The broken lines are shown for illustrative purposes only and
form no part of the claimed design.

1 Claim, 4 Drawing Sheets



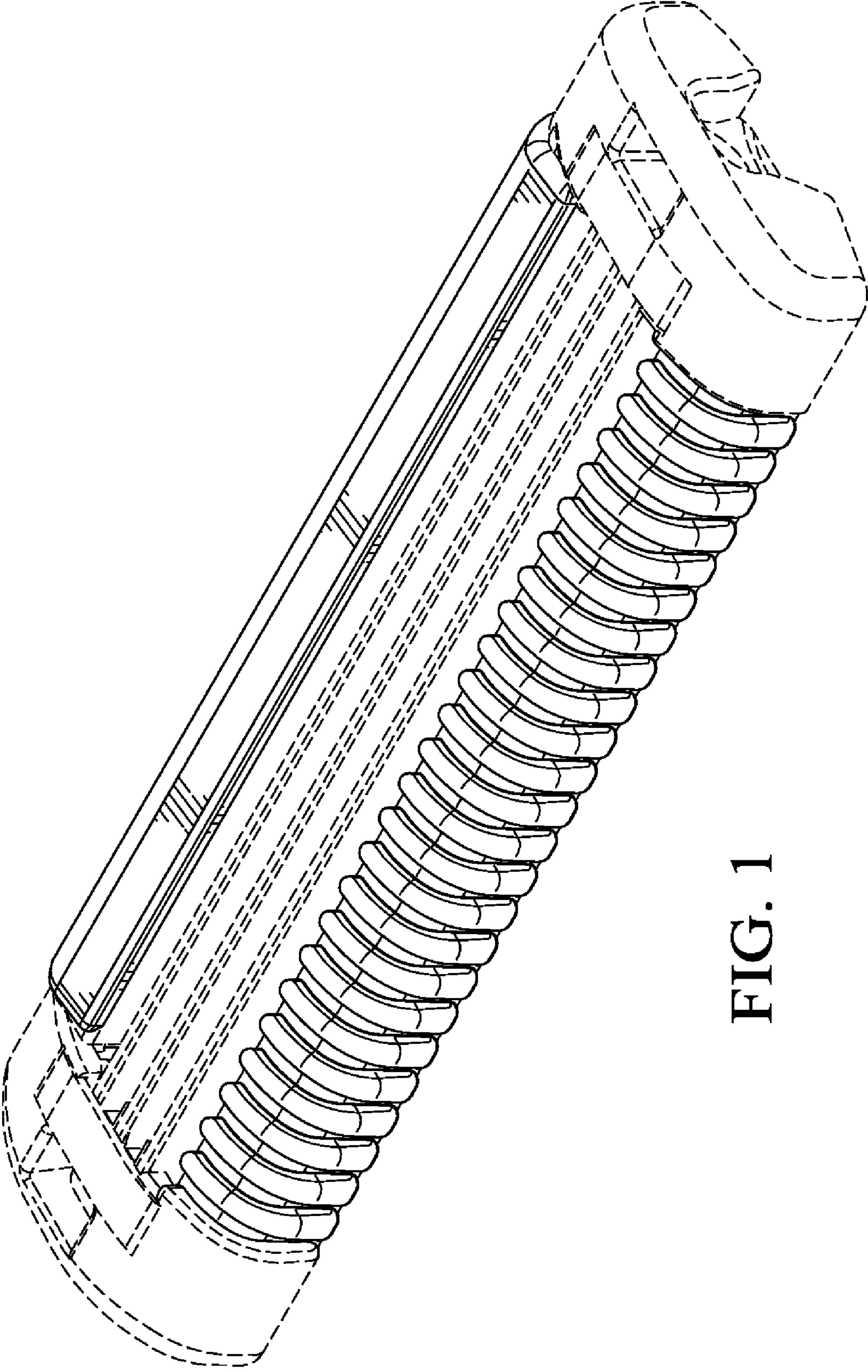


FIG. 1

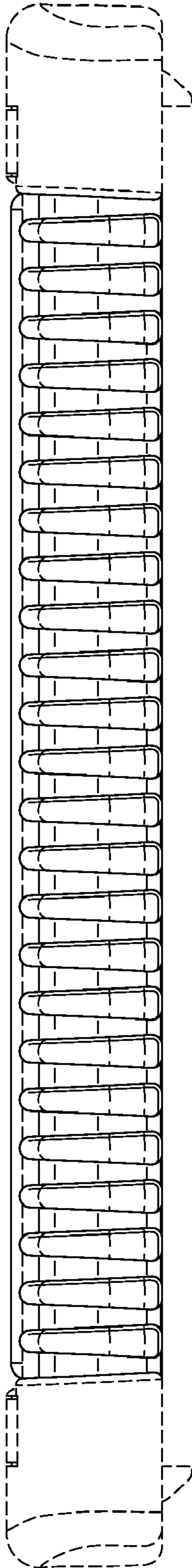


FIG. 2

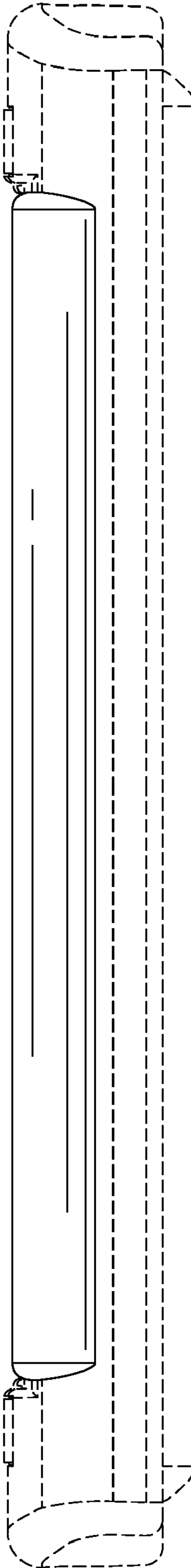


FIG. 3

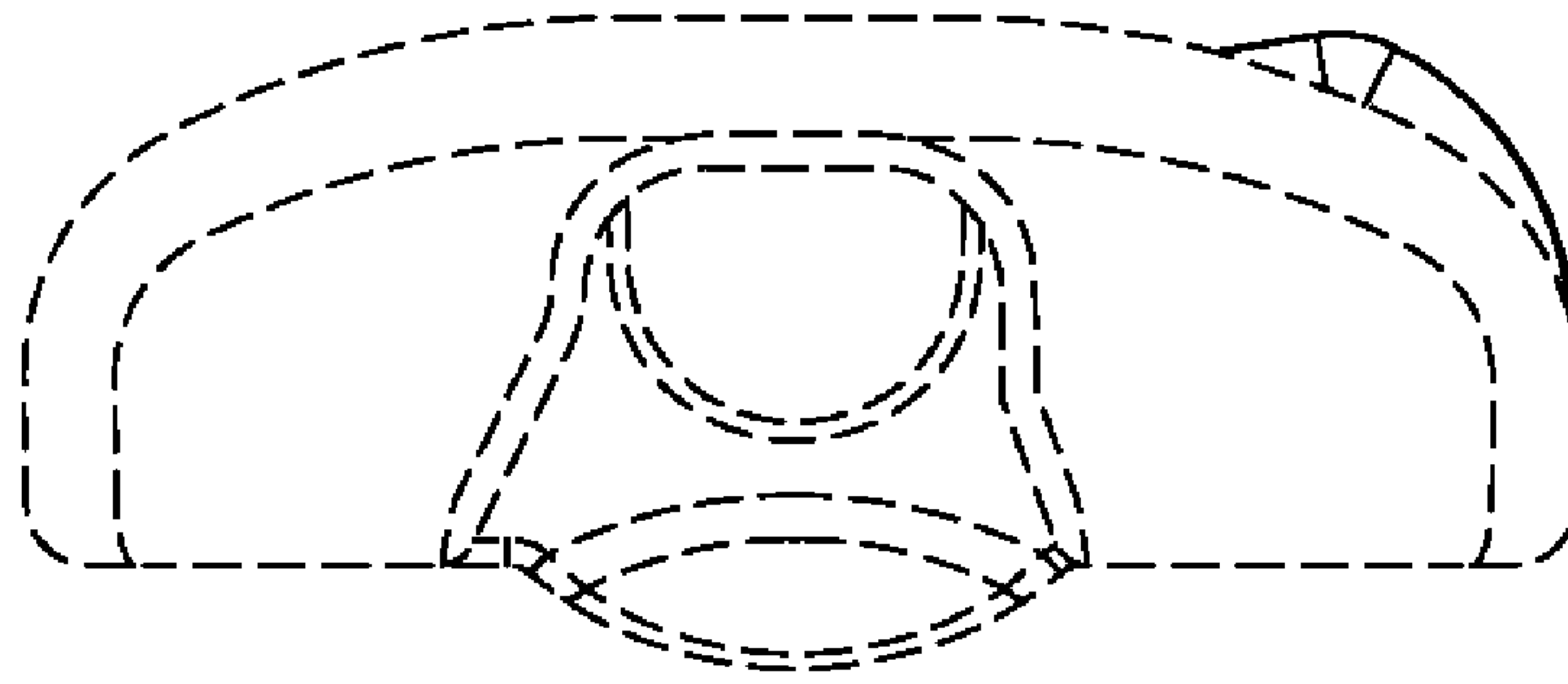


FIG. 4

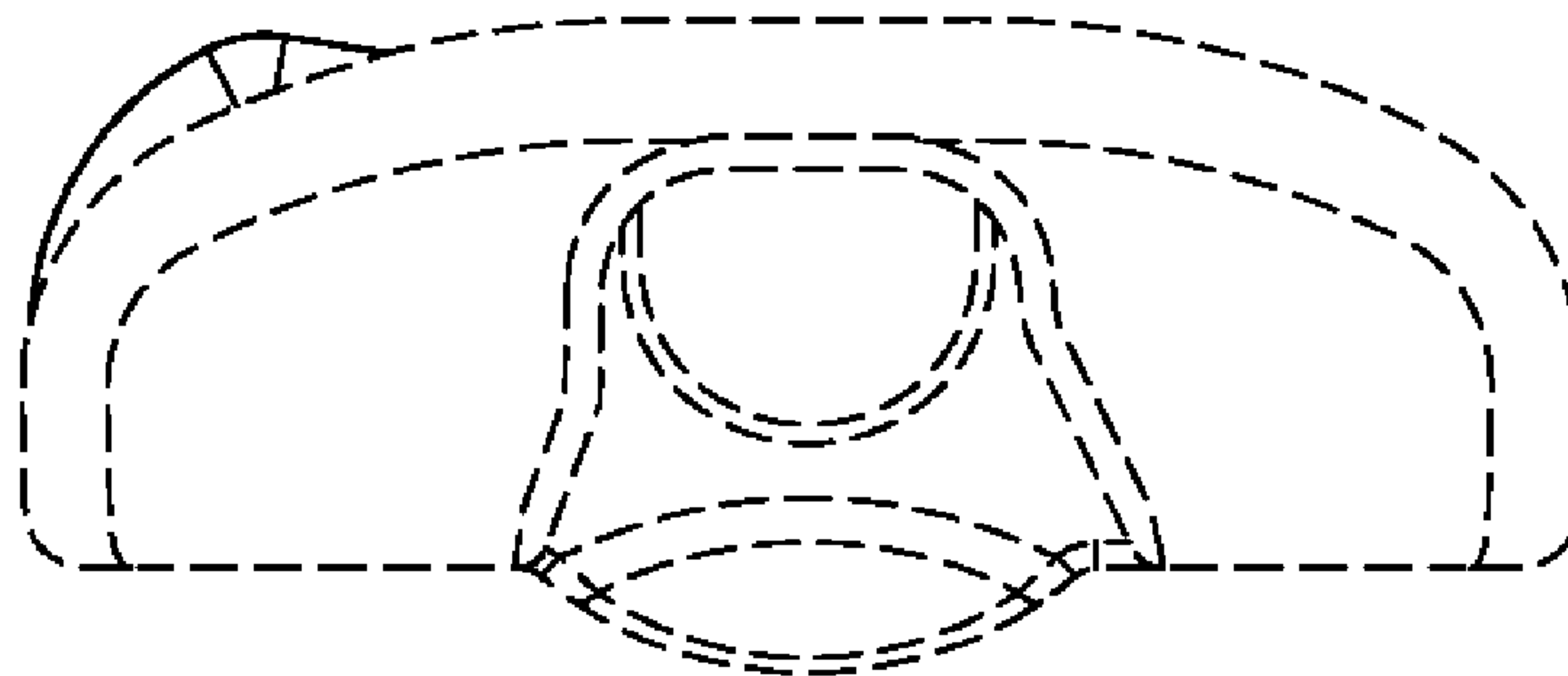


FIG. 5

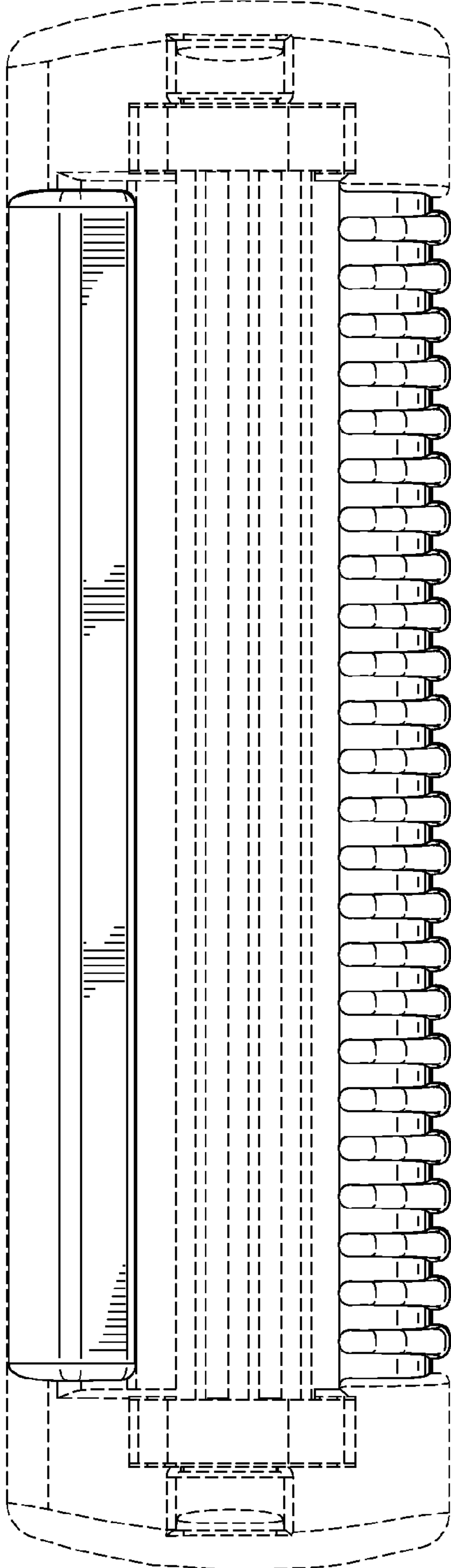


FIG. 6

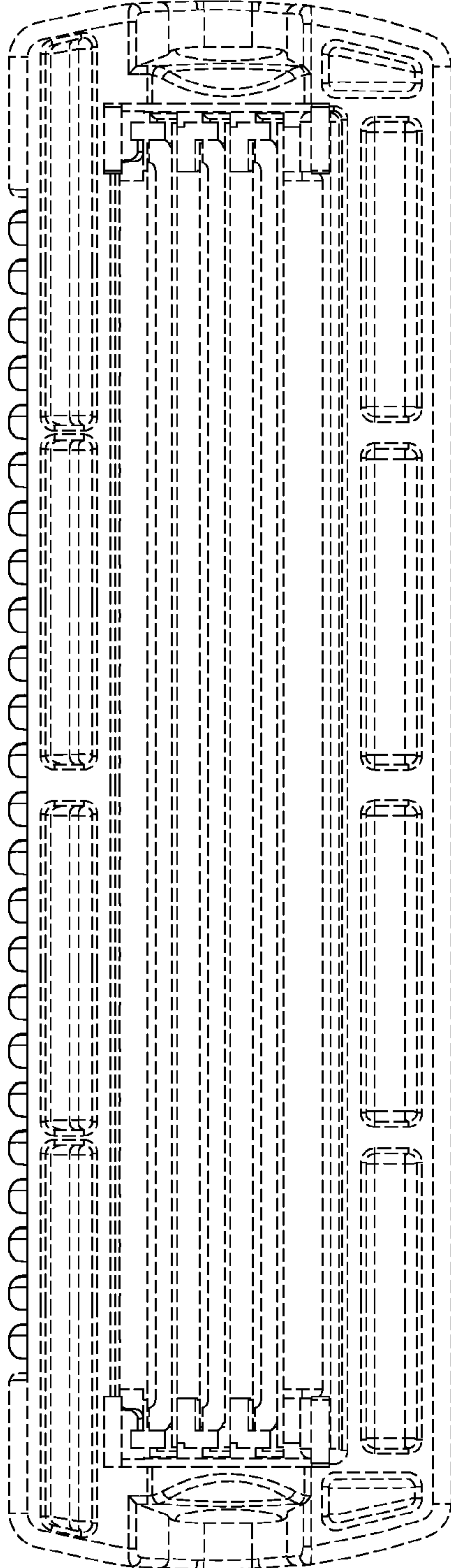


FIG. 7