



US00D630796S

(12) **United States Design Patent**  
**Bass**

(10) **Patent No.:** **US D630,796 S**  
(45) **Date of Patent:** **\*\* Jan. 11, 2011**

(54) **HAIR WASHING STATION**

(76) Inventor: **Cindy Bass**, 18488 Marsh Pkwy., Lot #9, Vance, AL (US) 35490

(\*\*) Term: **14 Years**

(21) Appl. No.: **29/368,002**

(22) Filed: **Aug. 17, 2010**

(51) **LOC (9) Cl.** ..... **28-03**

(52) **U.S. Cl.** ..... **D28/20**

(58) **Field of Classification Search** ..... D28/9,  
D28/10, 20; D23/284, 287, 289, 308; 4/515-520,  
4/523

See application file for complete search history.

(56) **References Cited**

**U.S. PATENT DOCUMENTS**

792,498	A	6/1905	Carr	
2,637,853	A *	5/1953	Rochlin et al.	2/174
2,717,389	A *	9/1955	Gribble et al.	2/50
4,014,054	A	3/1977	Pasquarello	
D293,364	S *	12/1987	Everard	D23/289
D302,053	S	7/1989	Bromberger	
5,146,629	A	9/1992	Barnes	
D346,242	S	4/1994	McNally	
D375,385	S *	11/1996	Mock	D28/20

5,572,740	A *	11/1996	Geniesse	2/46
D405,226	S *	2/1999	Conway	D28/20
6,415,458	B1	7/2002	McFadden	
6,496,985	B1	12/2002	Faldet	
D475,158	S *	5/2003	Sato	D28/20
7,010,818	B1	3/2006	Hall	
D608,050	S *	1/2010	Sangurima	D28/9

\* cited by examiner

*Primary Examiner*—Janice E Seeger

*Assistant Examiner*—Zenia I Bennett

(74) *Attorney, Agent, or Firm*—Kyle Fletcher

(57) **CLAIM**

The ornamental design for a hair washing station, as shown and described.

**DESCRIPTION**

FIG. 1 is a right view of the hair washing station.

FIG. 2 is a left view of the claimed design.

FIG. 3 is a front view of the claimed design.

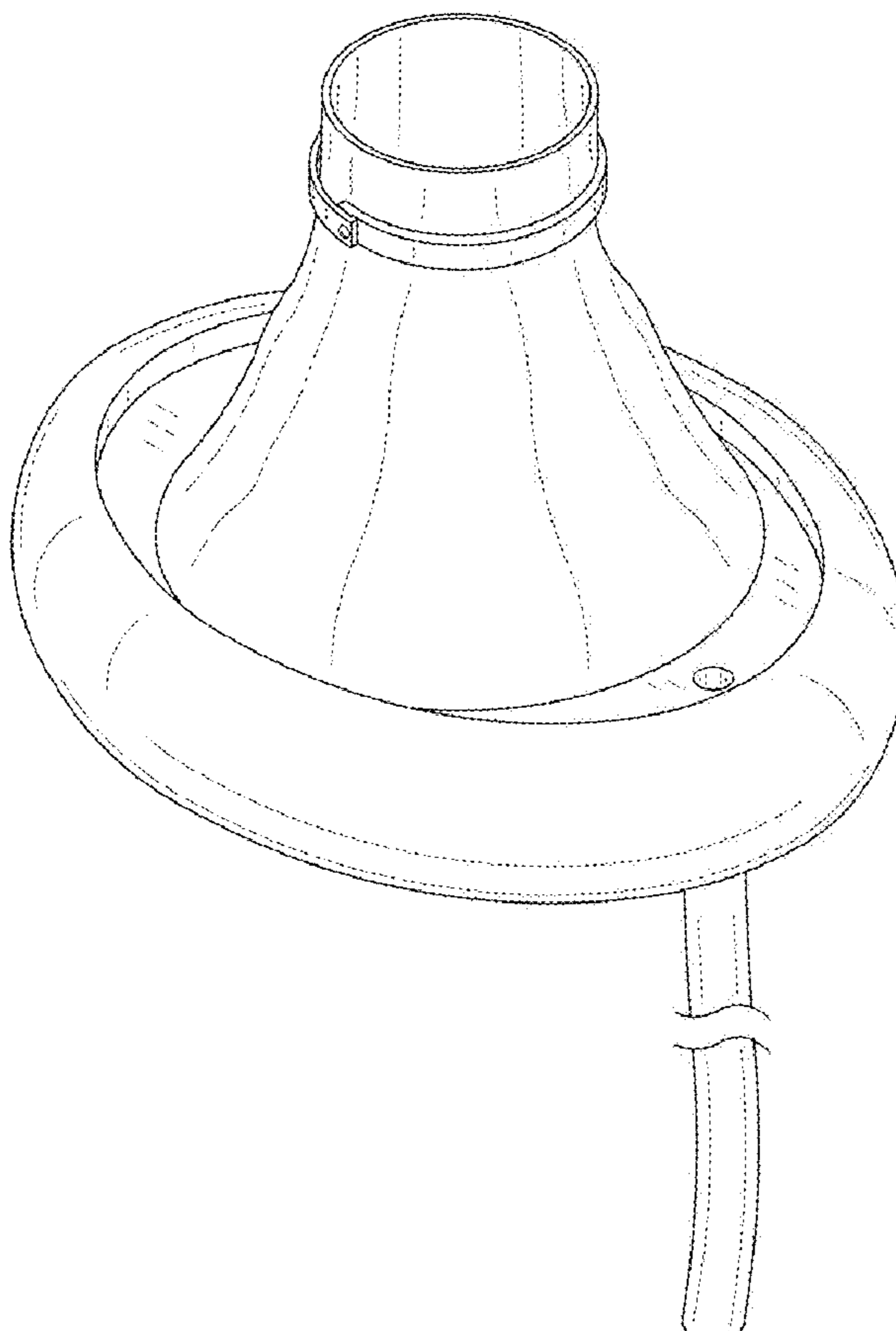
FIG. 4 is a rear view of the claimed design.

FIG. 5 is a top view of the claimed design.

FIG. 6 is a bottom view of the claimed design; and,

FIG. 7 is an isometric view of the claimed design.

**1 Claim, 7 Drawing Sheets**



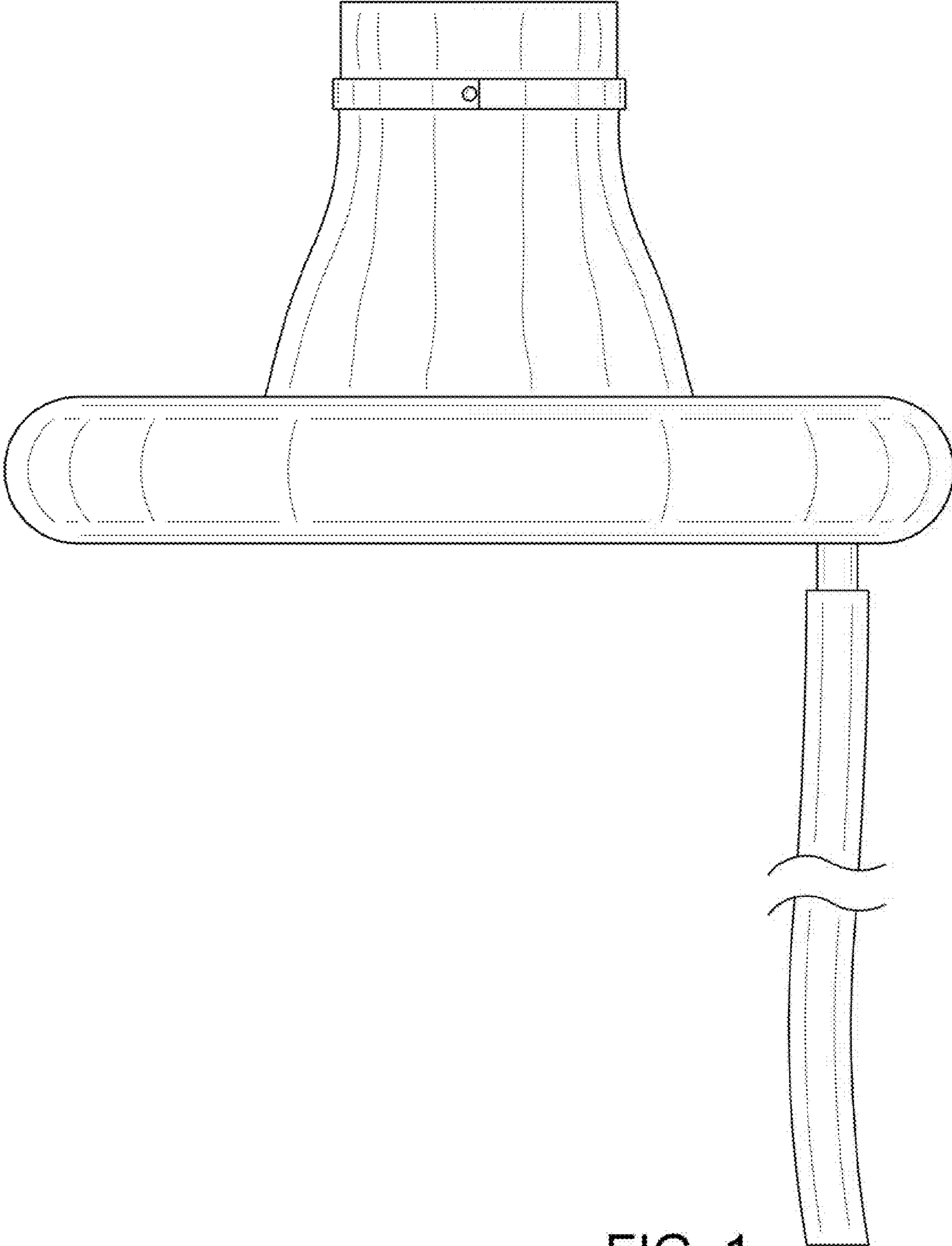


FIG. 1

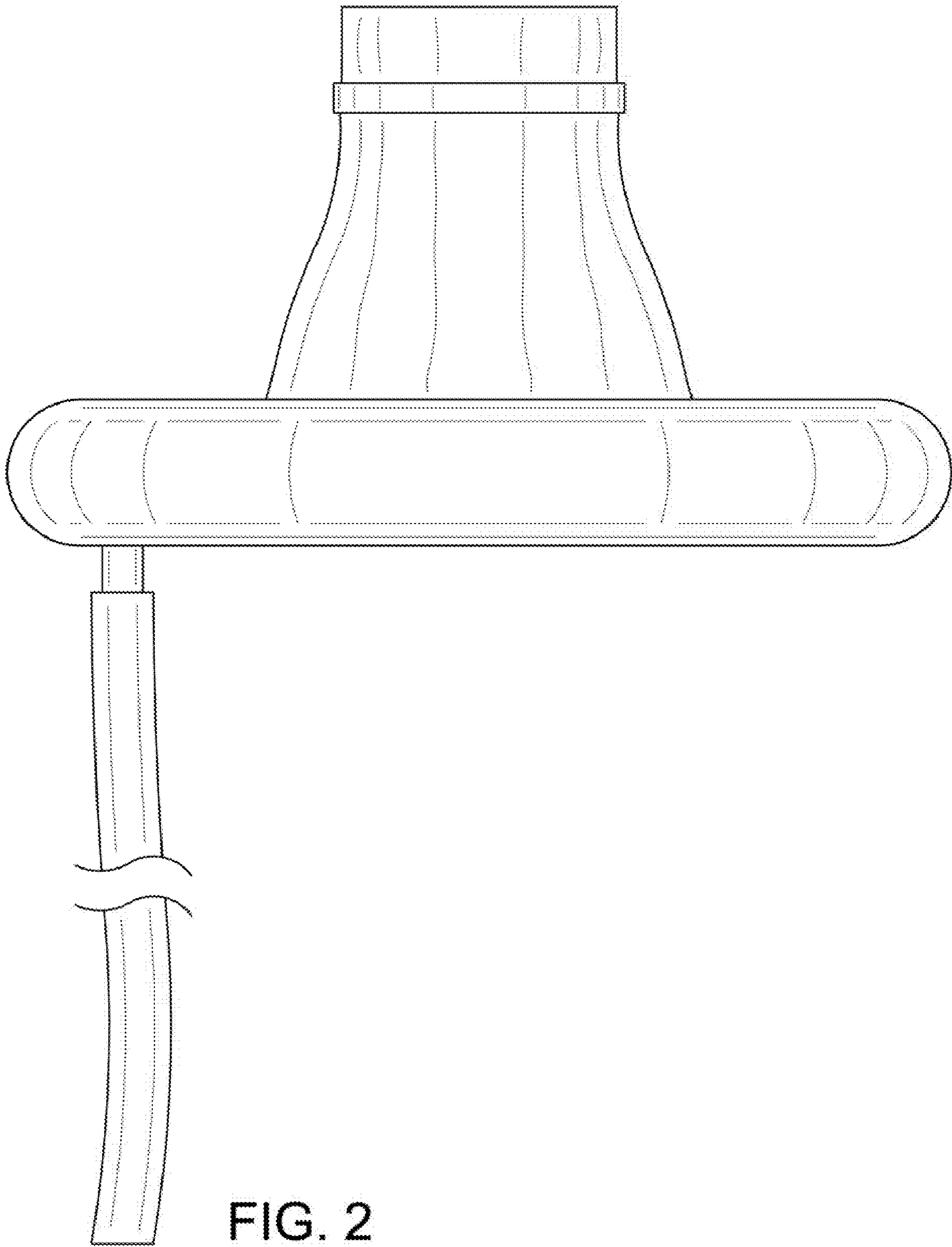


FIG. 2

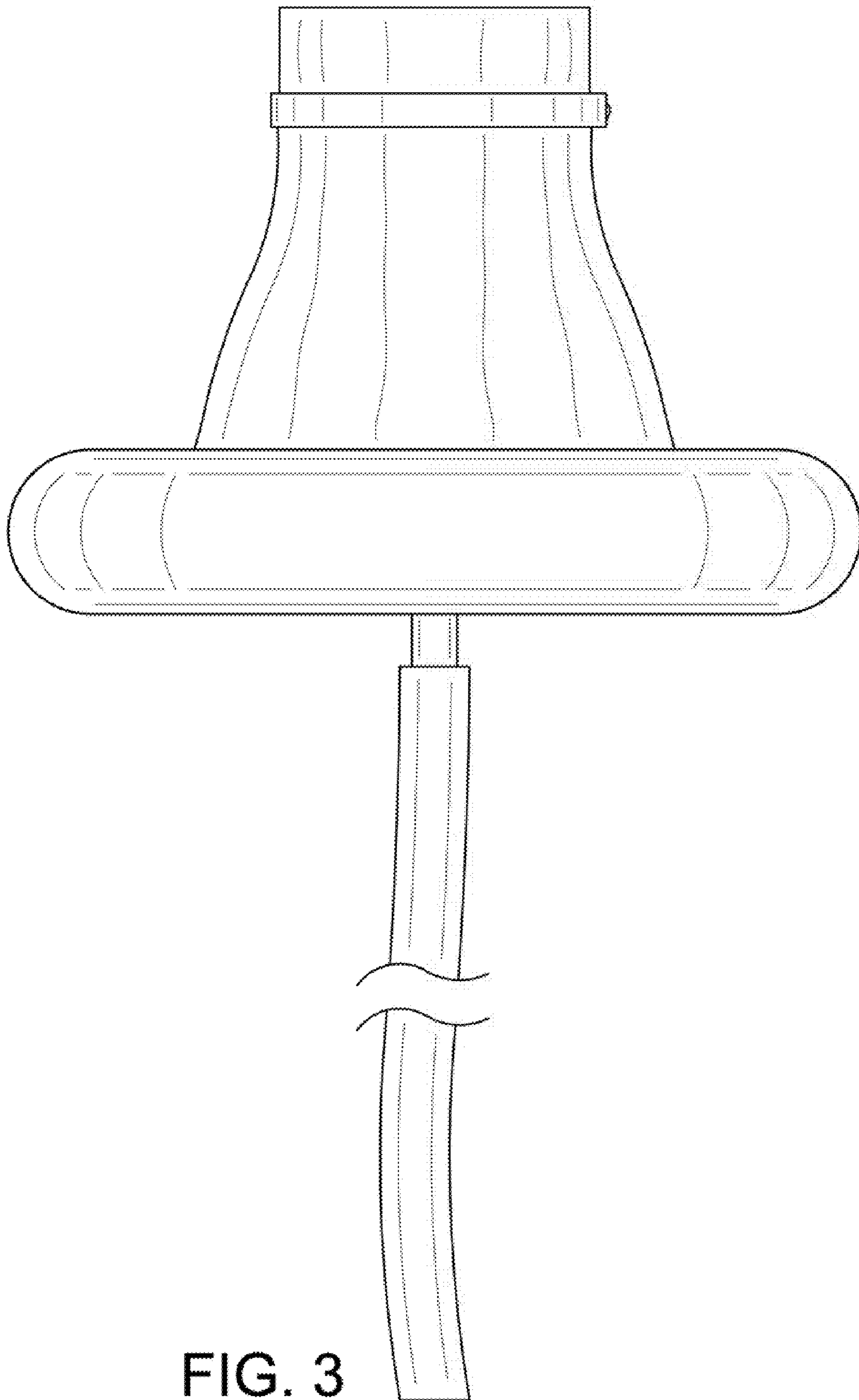
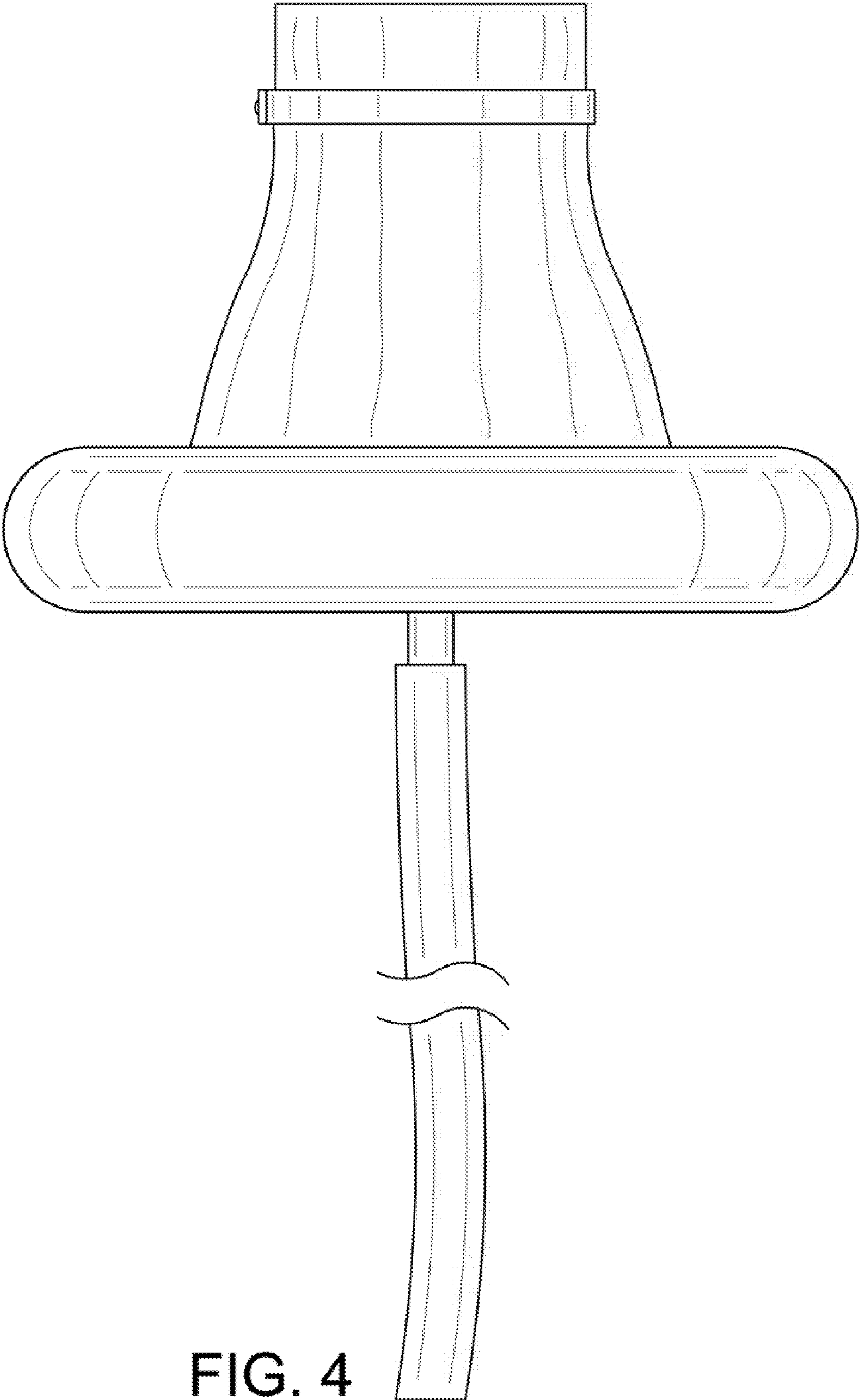


FIG. 3





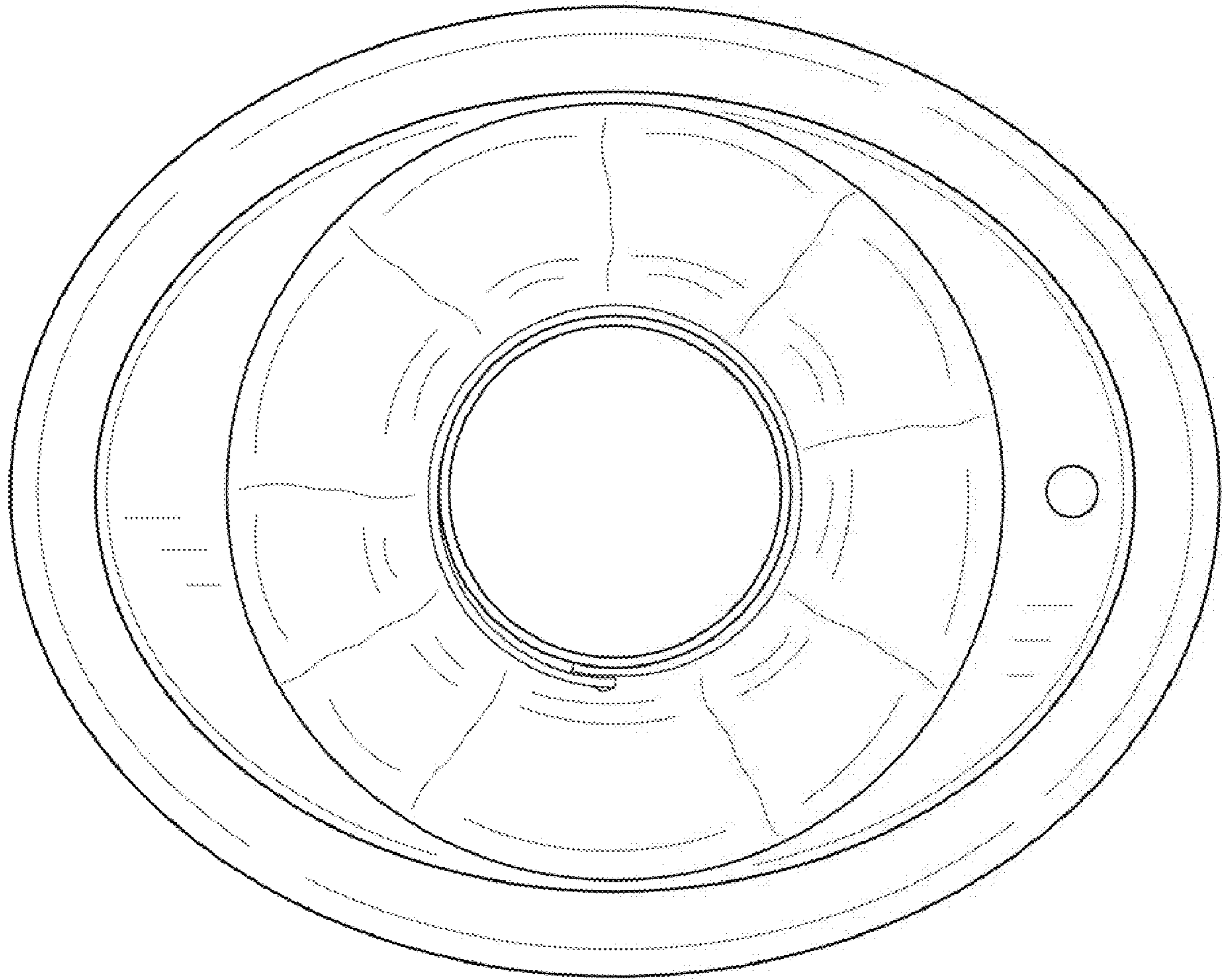


FIG. 5

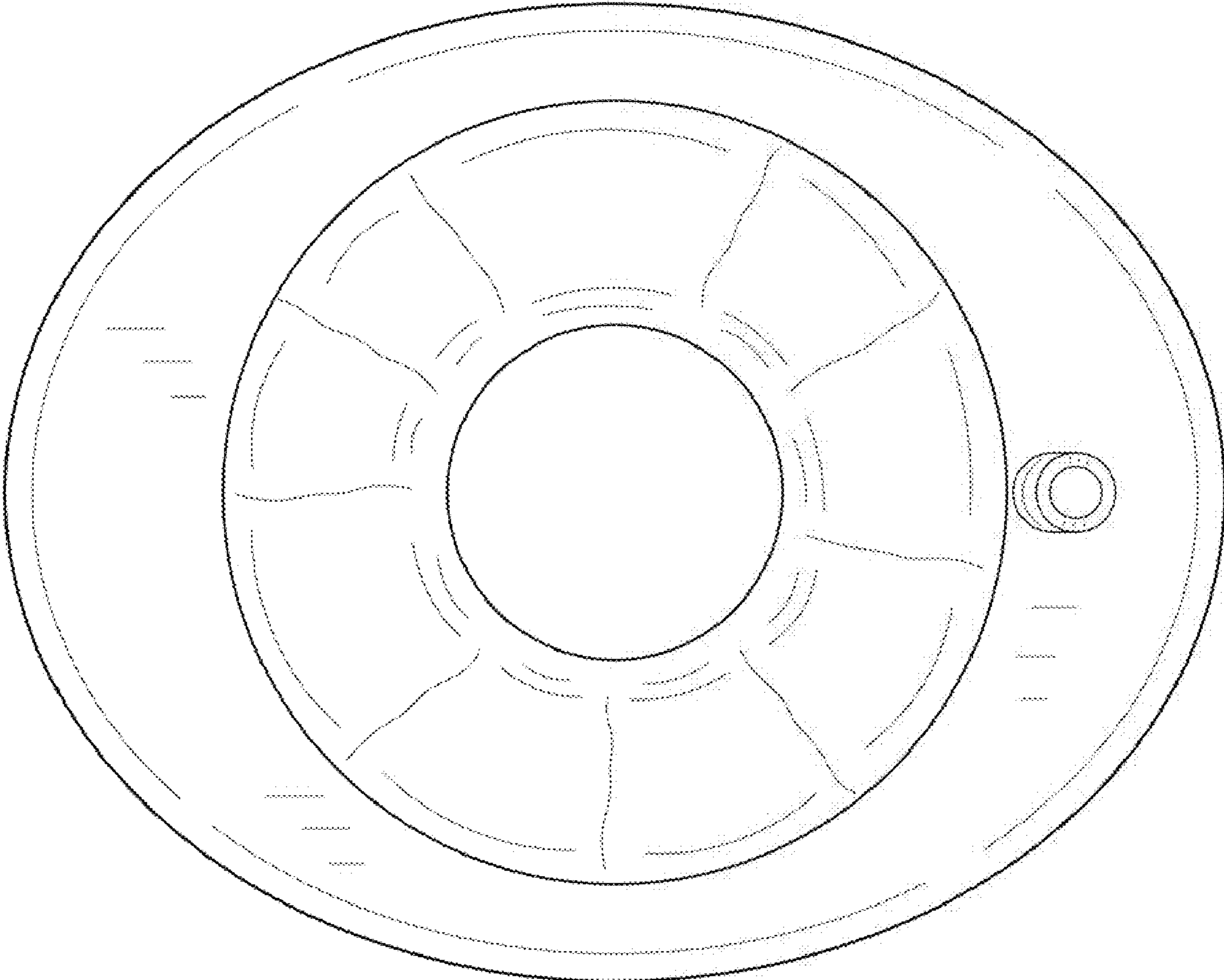


FIG. 6

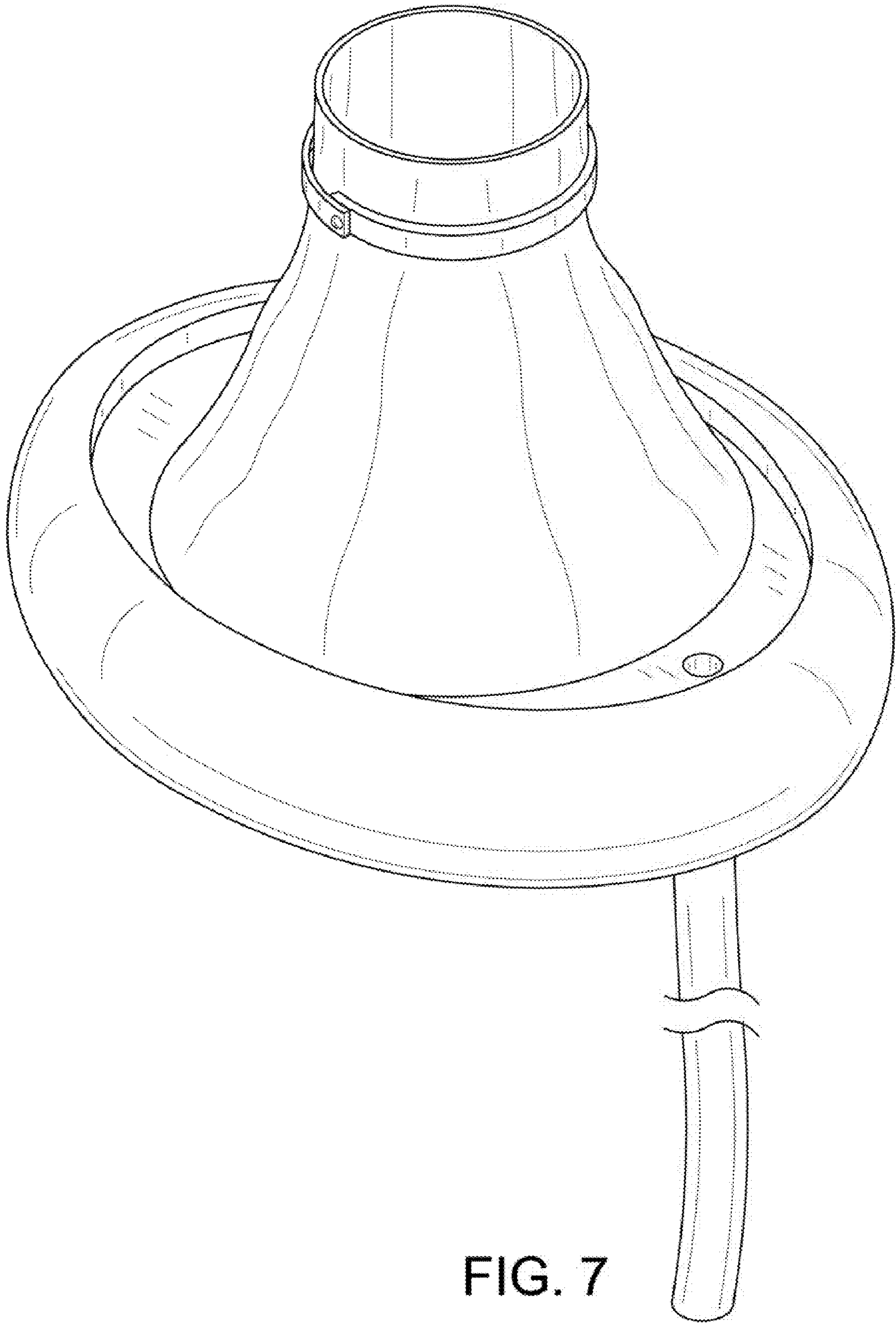


FIG. 7