



US00D630795S

(12) **United States Design Patent**
Glen

(10) **Patent No.:** **US D630,795 S**

(45) **Date of Patent:** **** Jan. 11, 2011**

(54) **COSMETIC PRODUCT**

(75) Inventor: **Marilyn Ann Glen**, Baltimore, MD (US)

(73) Assignee: **The Procter and Gamble Company**,
Cincinnati, OH (US)

(**) Term: **14 Years**

(21) Appl. No.: **29/360,323**

(22) Filed: **Apr. 23, 2010**

Related U.S. Application Data

(62) Division of application No. 29/329,598, filed on Dec. 18, 2008, now Pat. No. Des. 617,044.

(51) **LOC (9) Cl.** **28-02**

(52) **U.S. Cl.** **D28/4; D28/82**

(58) **Field of Classification Search** D28/4,
D28/8.1, 8.2, 76, 77, 78, 79, 82; 510/523,
510/221-224, 147; 424/63, 401, 489; 206/581,
206/823; 132/286, 293, 294, 298, 303, 314,
132/315

See application file for complete search history.

(56) **References Cited**

U.S. PATENT DOCUMENTS

D124,321 S	12/1940	McIntosh
3,552,980 A	1/1971	Cooper et al.
D313,347 S	1/1991	Fiore
D408,590 S	4/1999	Litton
6,047,710 A	4/2000	Irving et al.
D427,415 S	7/2000	Dolphin

(Continued)

FOREIGN PATENT DOCUMENTS

WO WO 2004/105708 A1 12/2004

OTHER PUBLICATIONS

Covergirl, Simply Ageless Colour Cosmetics, Date Published Jan. 23, 2009.*

(Continued)

Primary Examiner—Jennifer Rivard

(74) *Attorney, Agent, or Firm*—John G. Powell; Megan C. Hymore

(57) **CLAIM**

The ornamental design for a cosmetic product, as shown and described.

DESCRIPTION

FIG. 1 is a top perspective view of a first embodiment of a cosmetic product, embodying the new design;

FIG. 2 is a bottom perspective view of the design shown in FIG. 1;

FIG. 3 is a top view of the design shown in FIG. 1;

FIG. 4 is a bottom view of the design shown in FIG. 1; front, back, right, and left-side views are omitted because they show structure that is not part of the claimed design.

FIG. 5 is a top perspective view of a second embodiment of a cosmetic product, embodying the new design;

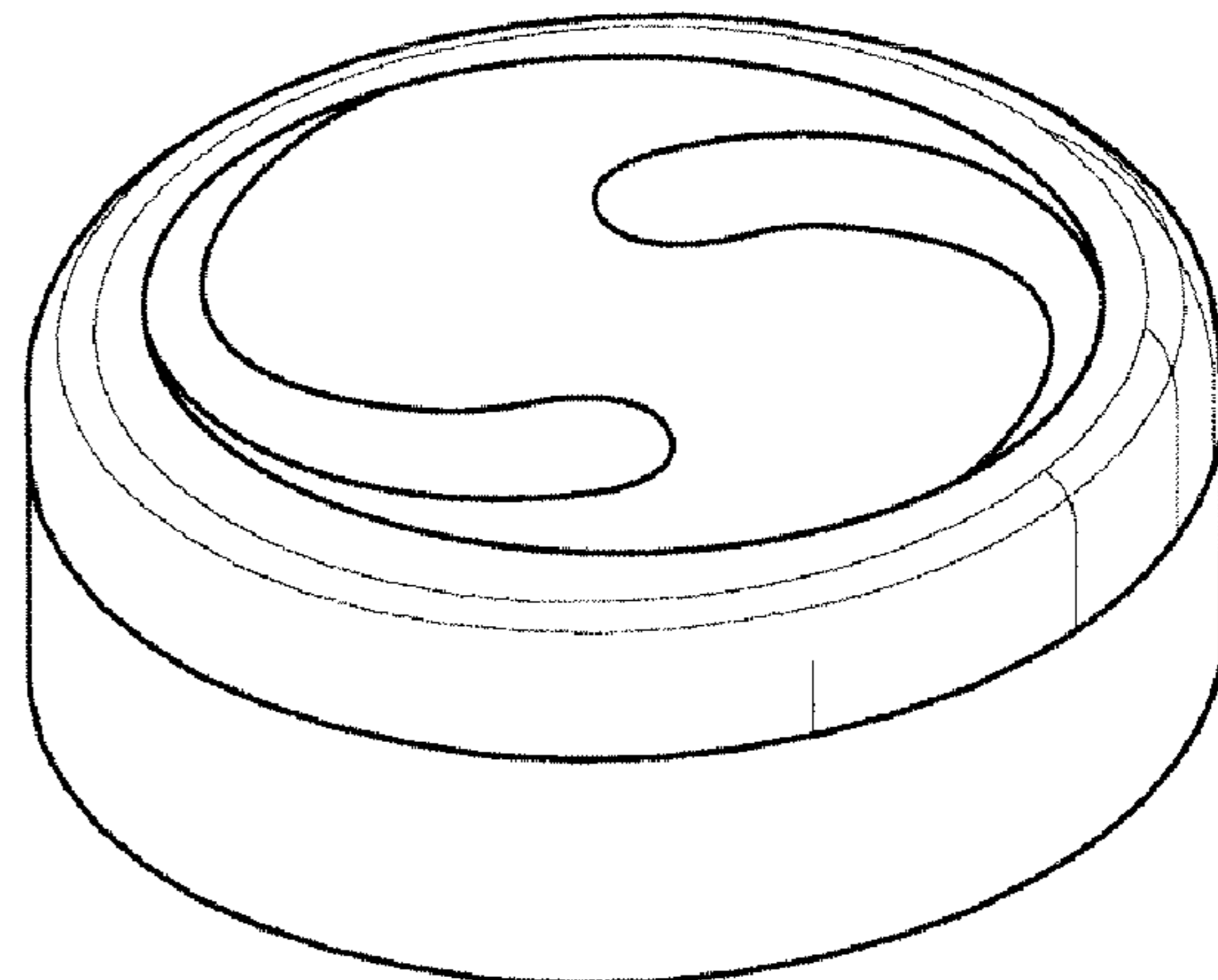
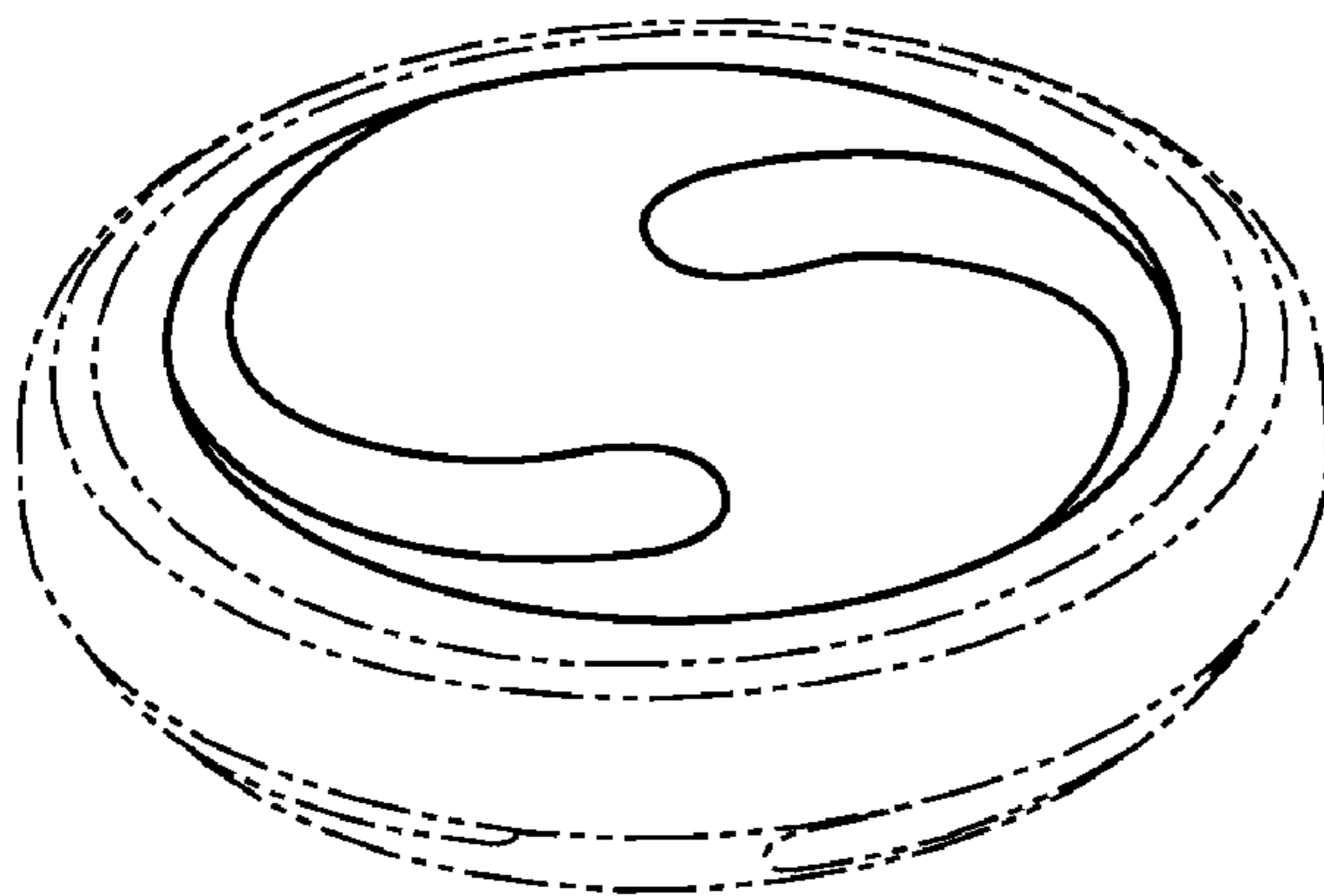
FIG. 6 is a front view of the design shown in FIG. 5; back, right, and left-side views of the design shown in FIG. 5 are identical and thus not shown;

FIG. 7 is a top view of the design shown in FIG. 5; and,

FIG. 8 is a bottom view of the design shown in FIG. 5.

The broken lines shown in the figures are for illustrative purposes only and form no part of the claimed design.

1 Claim, 4 Drawing Sheets



US D630,795 S

Page 2

U.S. PATENT DOCUMENTS

D430,346 S 8/2000 Van der Hagen
6,286,520 B1 9/2001 Lin
D452,587 S 12/2001 Look
D452,588 S 12/2001 Look
D470,973 S 2/2003 Jackel-Marken
D512,199 S * 12/2005 Ibanez D1/129
D516,744 S 3/2006 Jackel-Marken
D519,240 S 4/2006 Jackel-Marken
D521,187 S 5/2006 Jackel-Marken
D522,174 S 5/2006 Jackel-Marken
7,047,983 B2 5/2006 Manougian et al.
D537,562 S 2/2007 Taniguchi et al.
D537,563 S 2/2007 Taniguchi et al.
D538,471 S 3/2007 Taniguchi et al.
D547,491 S 7/2007 Taniguchi
D589,208 S 3/2009 Taniguchi et al.
D592,956 S 5/2009 Thiellier
2003/0217761 A1 11/2003 Maelstaf
2006/0008485 A1 1/2006 Ferone et al.
2007/0060666 A1 3/2007 Taniguchi et al.
2008/0305132 A1 12/2008 Karol

2009/0272399 A1 11/2009 Kim

OTHER PUBLICATIONS

Ultra Swirl Lip Gloss (see 2 pg. attachment).
USPTO Office Action rejections/objections from co-pending U.S. Appl. No. 11/517,696, filed Sep. 8, 2006; Inventor: Toshiya Taniguchi et al., mail date Mar. 10, 2010; 12 pages.
USPTO Office Action rejections/objections from co-pending U.S. Appl. No. 11/517,981, filed Sep. 8, 2006; Inventor: Toshiya Taniguchi et al., mail date Dec. 24, 2009 and Mar. 9, 2009; 37 pages.
USPTO Office Action rejections/objections from co-pending U.S. Appl. No. 11/517,749, filed Sep. 8, 2006; Inventor: Toshiya Taniguchi et al., mail date Nov. 14, 2008 and May 29, 2009; 30 pages.
USPTO Office Action rejections/objections from co-pending U.S. Appl. No. 11/517,697, filed Sep. 8, 2006; Inventor: Toshiya Taniguchi et al., mail date Feb. 24, 2009 and Aug. 31, 2009; 21 pages.
USPTO Office Action rejections/objections from co-pending U.S. Appl. No. 29/329,598, filed Nov. 1, 2007; Inventor: Toshiya Taniguchi, mail date Feb. 19, 2010; 11 pages.
USPTO Office Action rejections/objections from co-pending U.S. Appl. No. 29/329,598, filed Dec. 18, 2008; Inventor: Marilyn Ann Glen., mail date Feb. 27, 2010; 7 pages.

* cited by examiner

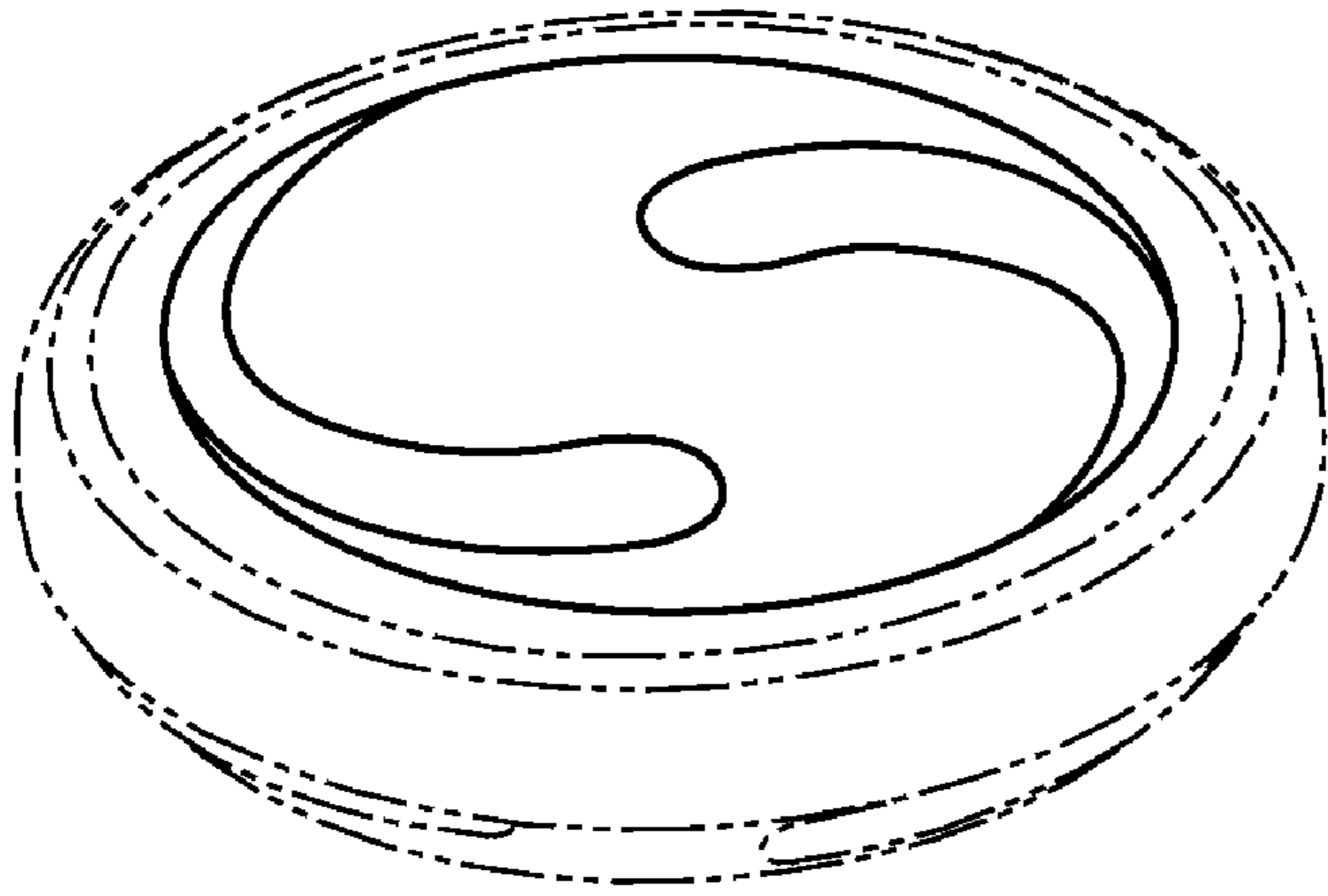


Fig. 1

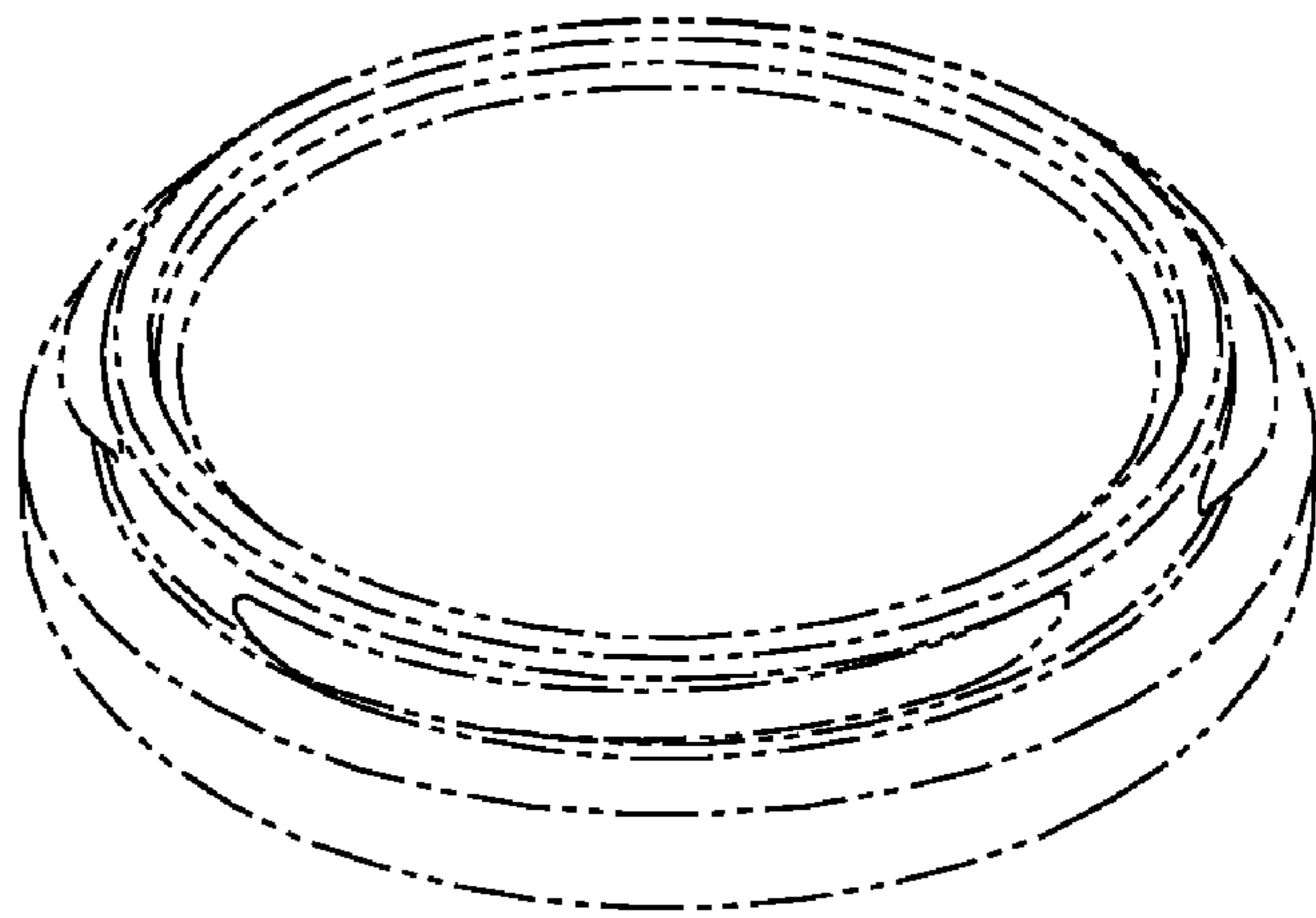


Fig. 2



Fig. 3

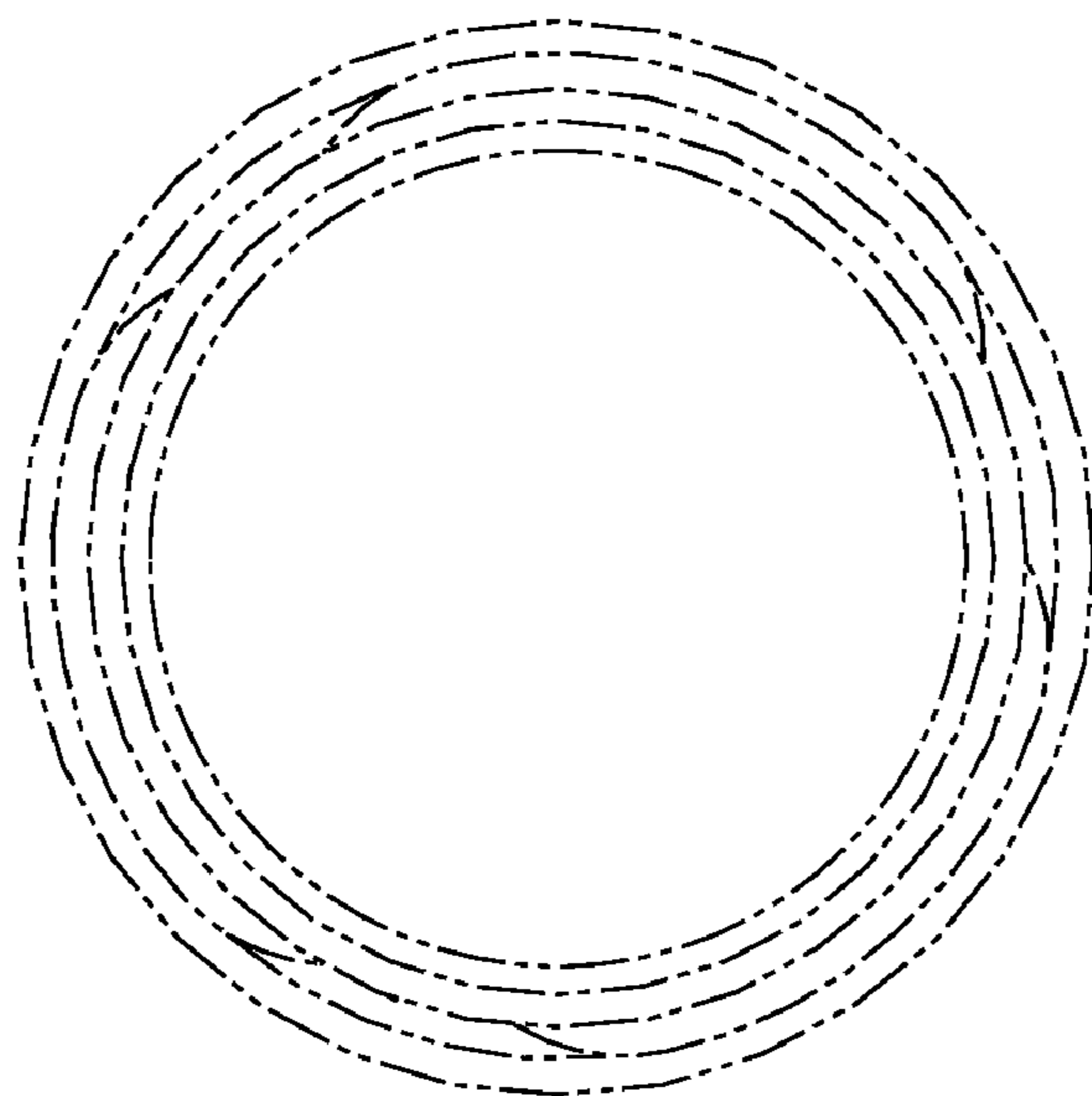


Fig. 4

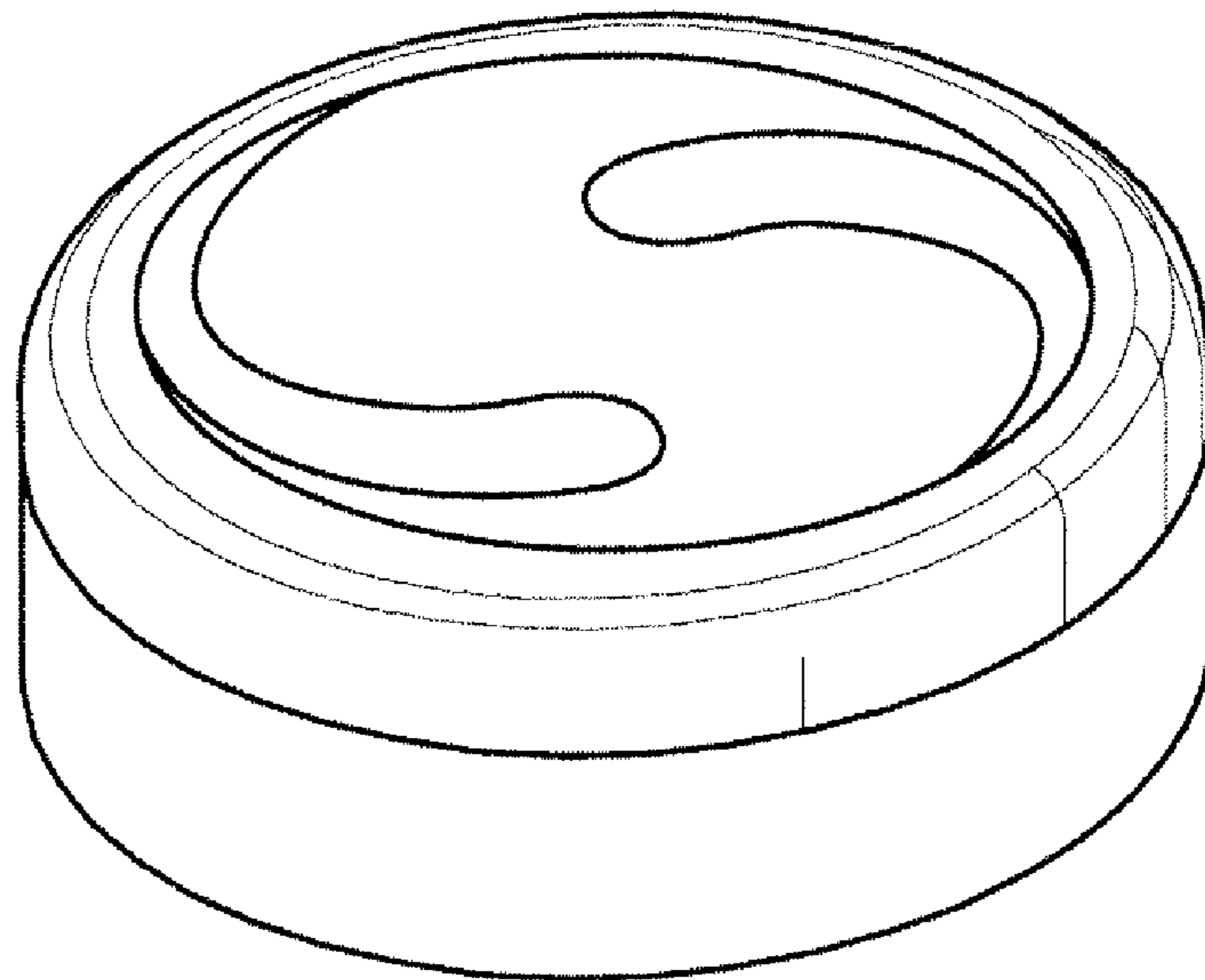


Fig. 5

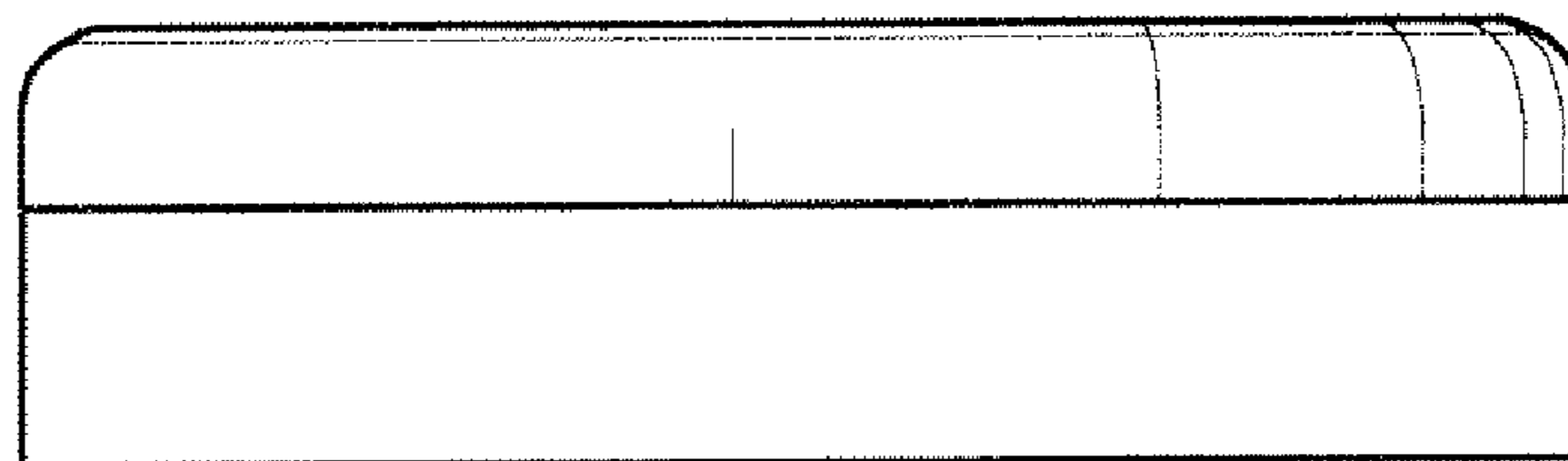


Fig. 6

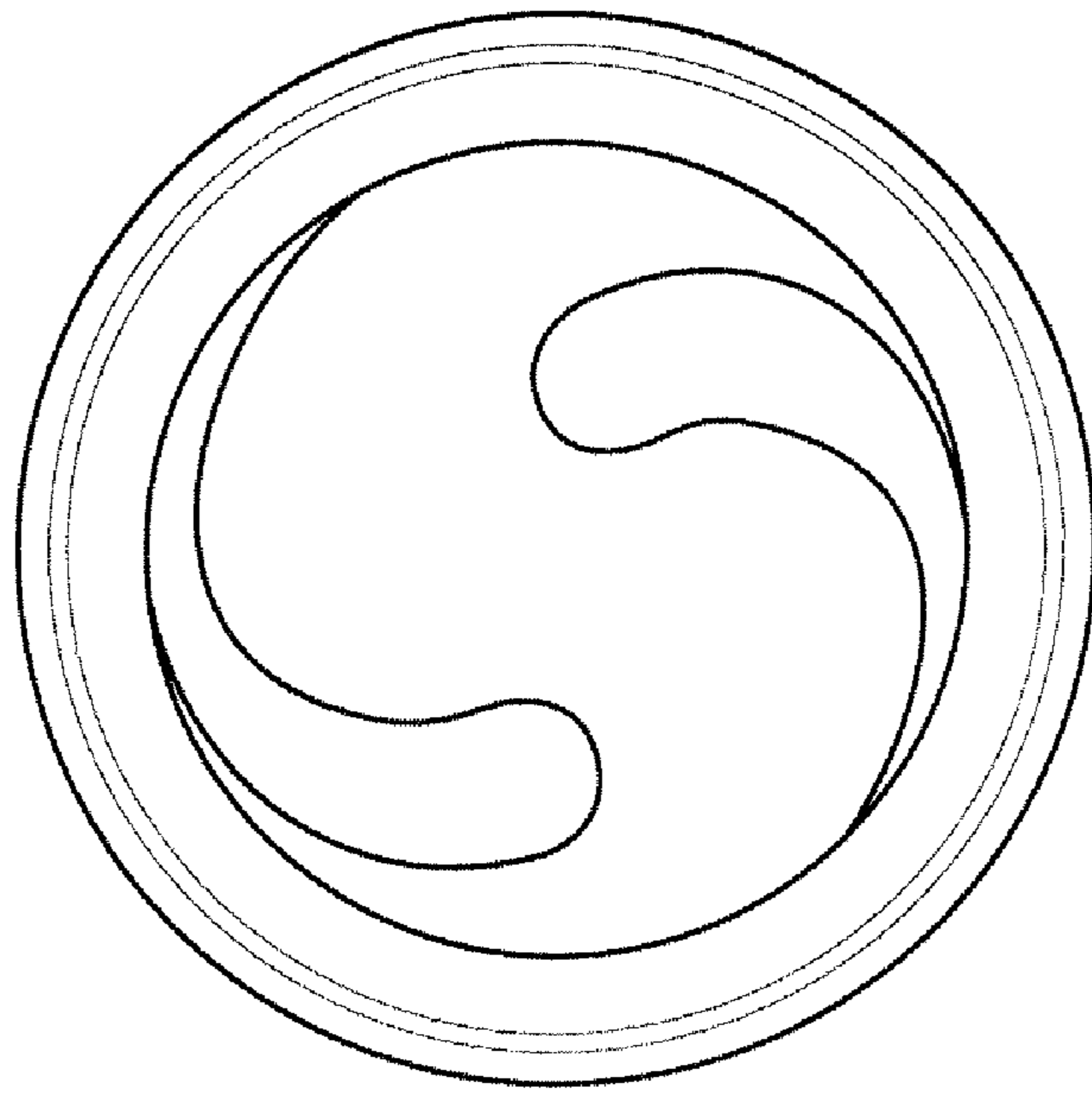


Fig. 7

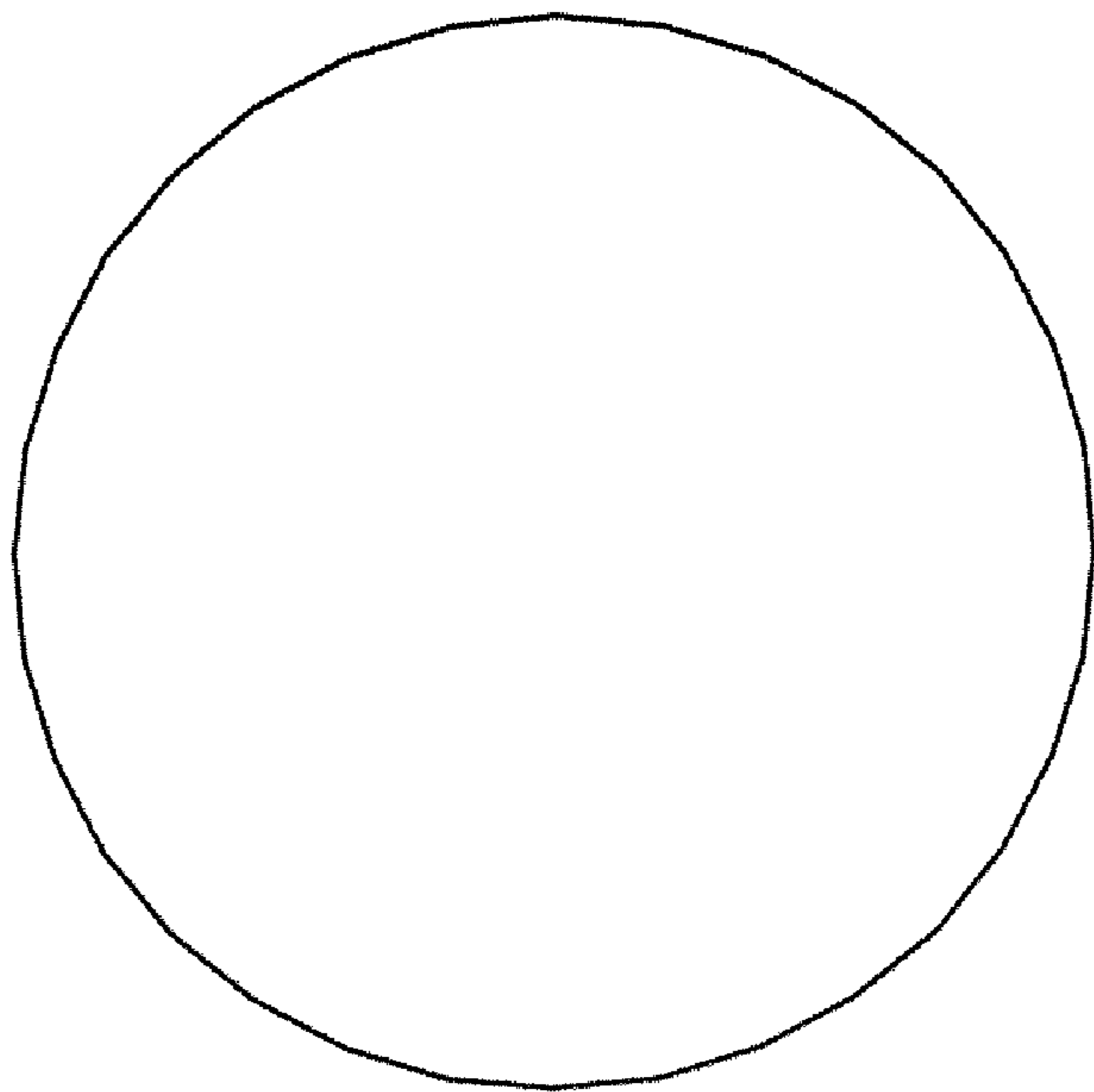


Fig. 8