

US00D630793S

(12) **United States Design Patent**  
**Karim**

(10) **Patent No.:** **US D630,793 S**  
(45) **Date of Patent:** **\*\* Jan. 11, 2011**

(54) **LAMP**

(75) Inventor: **Rashid Karim**, New York, NY (US)

(73) Assignee: **Artemide S.p.A.**, Milan (IT)

(\*\*) Term: **14 Years**

(21) Appl. No.: **29/367,556**

(22) Filed: **Aug. 10, 2010**

**Related U.S. Application Data**

(62) Division of application No. 29/337,995, filed on Jun. 3, 2009, now Pat. No. Des. 624,231.

**Foreign Application Priority Data**

Dec. 3, 2008 (EM) ..... 1050033

(51) **LOC (9) Cl.** ..... **26-03**

(52) **U.S. Cl.** ..... **D26/93**

(58) **Field of Classification Search** ..... D26/24,  
D26/61-67, 93, 102, 104-105, 108-109;  
362/509, 516, 523, 186, 217, 255, 257, 277,  
362/317, 319, 351, 354, 355, 357, 358, 362,  
362/382, 410, 413, 417, 806

See application file for complete search history.

(56) **References Cited**

**U.S. PATENT DOCUMENTS**

D512,171 S \* 11/2005 Opolka ..... D26/62

D522,158 S \* 5/2006 Lovegrove ..... D26/61  
D566,317 S \* 4/2008 Meda et al. .... D26/62  
D590,976 S \* 4/2009 Levine ..... D26/62  
D605,800 S \* 12/2009 Hodgson ..... D26/62  
D608,925 S \* 1/2010 Hodgson ..... D26/62  
D614,788 S \* 4/2010 Bourotte ..... D26/61

\* cited by examiner

*Primary Examiner*—Brian N Vinson

(74) *Attorney, Agent, or Firm*—Ladas & Parry LLP

(57) **CLAIM**

I claim the ornamental design for a lamp, as shown.

**DESCRIPTION**

FIG. 1 is a front elevation view of my new design;

FIG. 2 is a right side elevation view thereof;

FIG. 3 is a left side elevation view thereof;

FIG. 4 is a rear elevation view thereof;

FIG. 5 is a top plan view thereof;

FIG. 6 is a bottom view thereof; and,

FIG. 7 is a perspective view from above and left thereof.

The broken-line disclosure in the views is understood to represent a portion of the article in which the claimed design is embodied, but which forms no part of the claimed design.

**1 Claim, 7 Drawing Sheets**

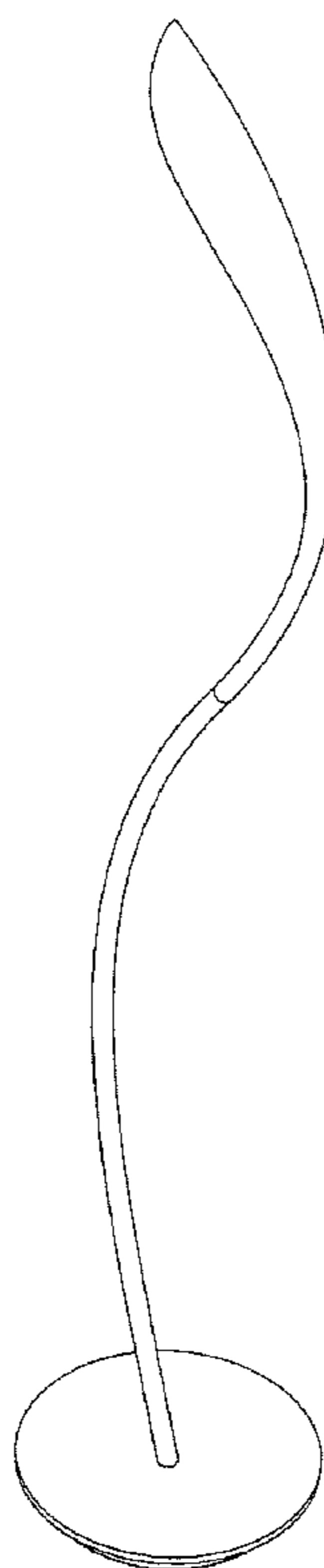


FIGURE 1

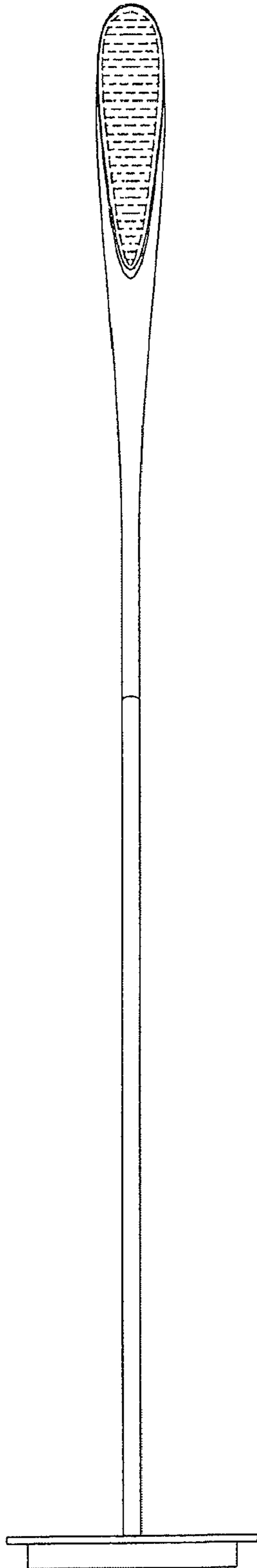


FIGURE 2

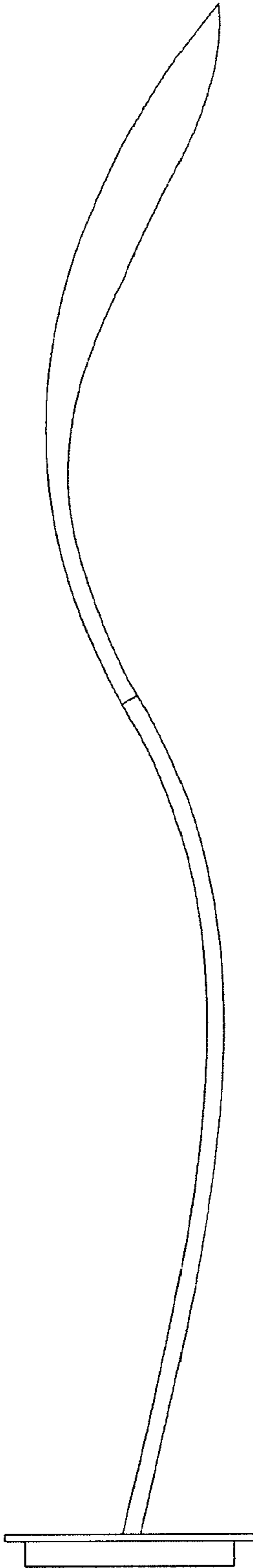


FIGURE 3

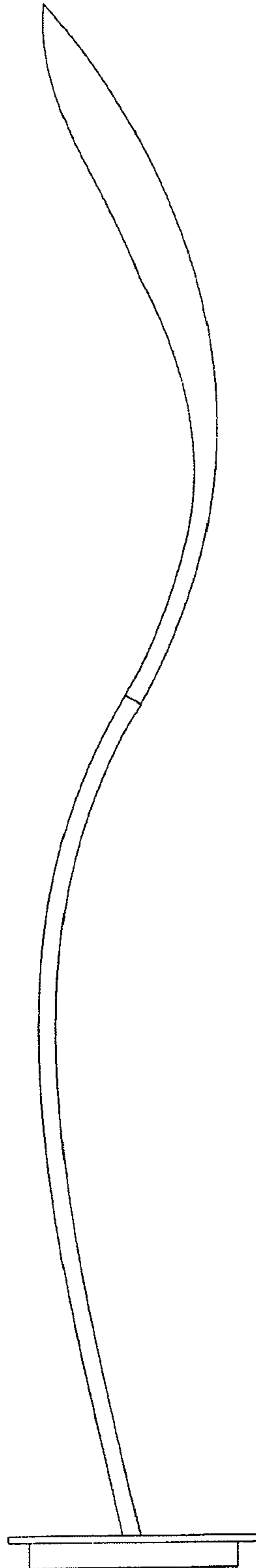
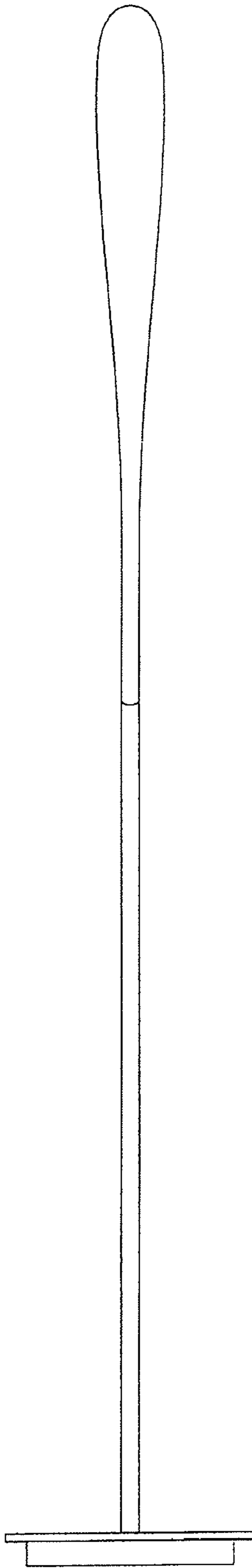
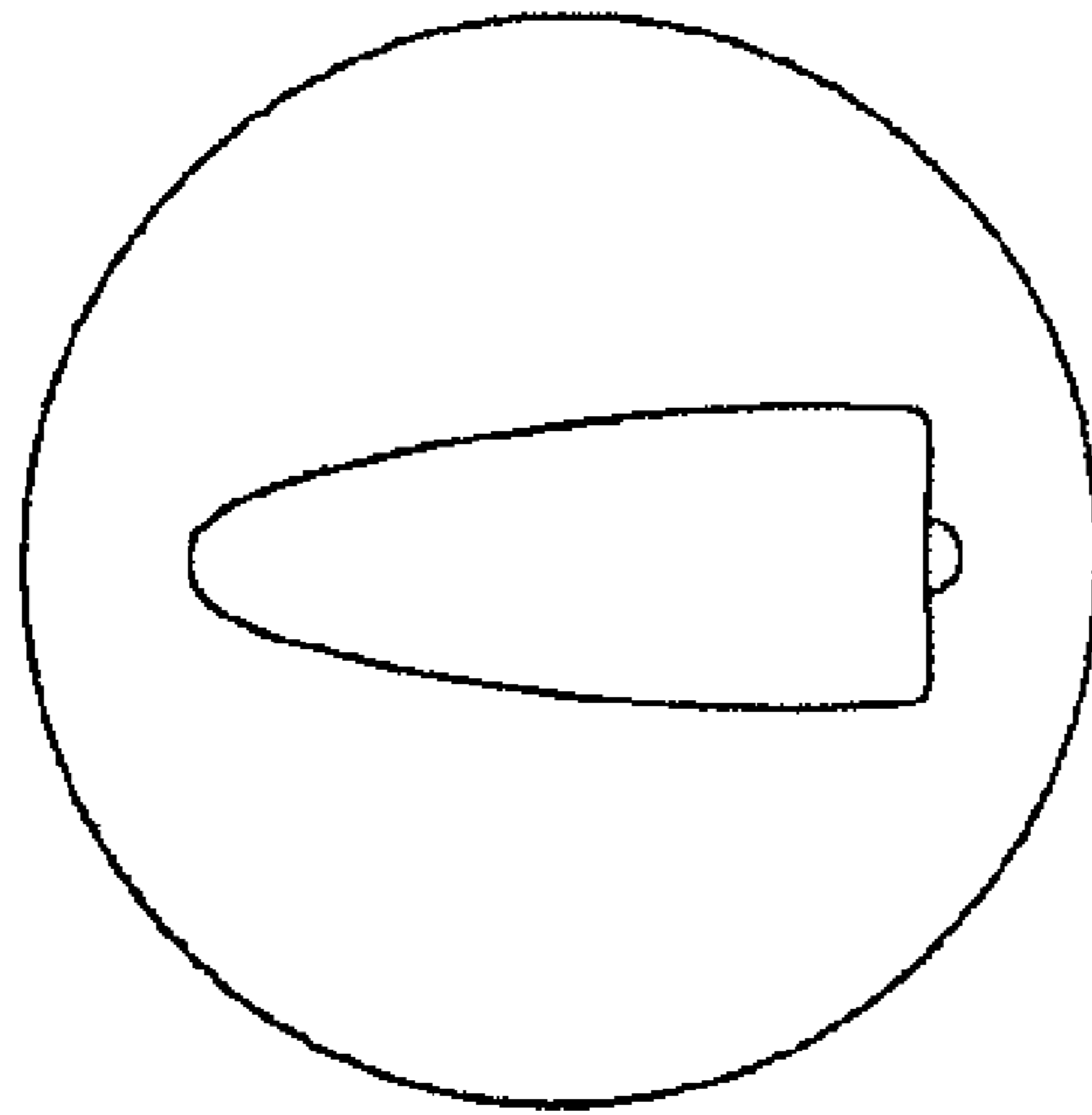


FIGURE 4



# FIGURE 5



**FIGURE 6**

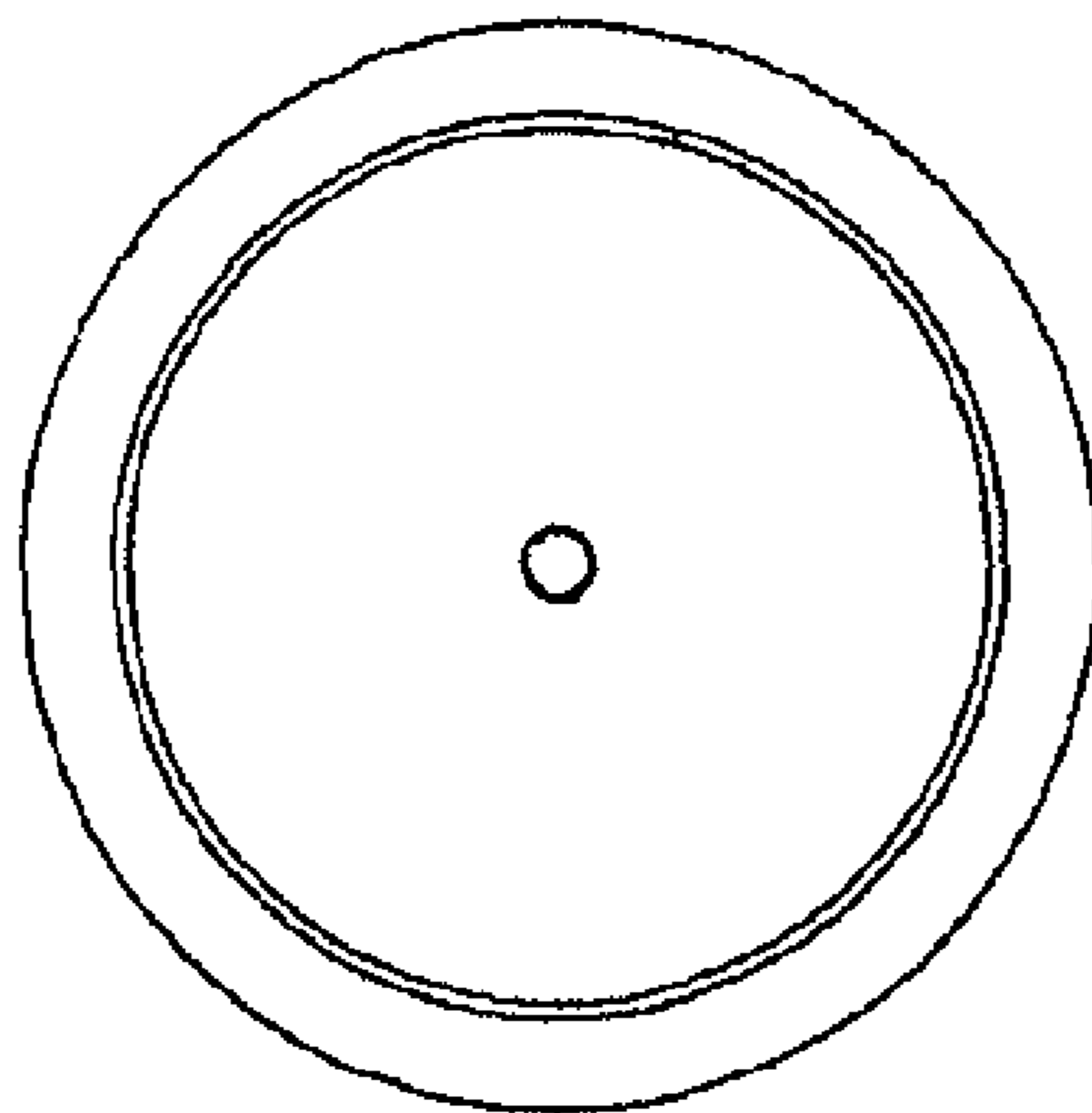


FIGURE 7

