



US00D630790S

(12) **United States Design Patent**
Josefowicz et al.

(10) **Patent No.:** **US D630,790 S**
(45) **Date of Patent:** **** Jan. 11, 2011**

(54) **LIGHT FIXTURE**

(75) Inventors: **Jack Yitzhak Josefowicz**, Halibut Bay (CA); **Matthew Francis Durdle**, Dartmouth (CA); **Tristan Roland Laan**, Halifax (CA)

(73) Assignee: **LED Roadway Lighting Ltd.**, Halifax, NS (CA)

(**) Term: **14 Years**

(21) Appl. No.: **29/361,879**

(22) Filed: **May 17, 2010**

(30) **Foreign Application Priority Data**

Nov. 20, 2009 (CA) 132997

(51) **LOC (9) Cl.** **26-05**

(52) **U.S. Cl.** **D26/71**

(58) **Field of Classification Search** D26/67-71, D26/85, 92; 362/145, 183, 231, 240, 249.02, 362/249.03, 249.04, 249.06, 249.16, 431
See application file for complete search history.

(56) **References Cited**

U.S. PATENT DOCUMENTS

D192,041 S *	1/1962	Izzi	D26/71
D209,081 S *	10/1967	Netland	D26/71
D347,080 S *	5/1994	Mehaffey et al.	D26/71
D439,695 S *	3/2001	Compton et al.	D26/87
D447,590 S *	9/2001	Raouf et al.	D26/71
D456,552 S *	4/2002	Russello et al.	D26/85
D492,441 S	6/2004	Bradford et al.		
D500,569 S	1/2005	Butler		

D556,935 S	12/2007	Quioque et al.		
7,329,030 B1	2/2008	Wang		
D577,455 S	9/2008	Zheng et al.		
7,420,811 B2 *	9/2008	Chan	361/709
D578,697 S *	10/2008	Zheng et al.	D26/71
7,488,093 B1	2/2009	Huang et al.		
D601,292 S	9/2009	Yan et al.		
D614,791 S *	4/2010	Nibaldi	D26/71
D615,233 S	5/2010	Josefowicz et al.		
D615,234 S *	5/2010	Oblak	D26/71
D622,433 S *	8/2010	Waters	D26/71
2008/0080188 A1	4/2008	Wang		
2009/0262533 A1	10/2009	Liu et al.		
2009/0262542 A1	10/2009	Li et al.		
2009/0262543 A1	10/2009	Ho		

* cited by examiner

Primary Examiner—Clare E Heflin

(74) *Attorney, Agent, or Firm*—Stevens & Showalter LLP

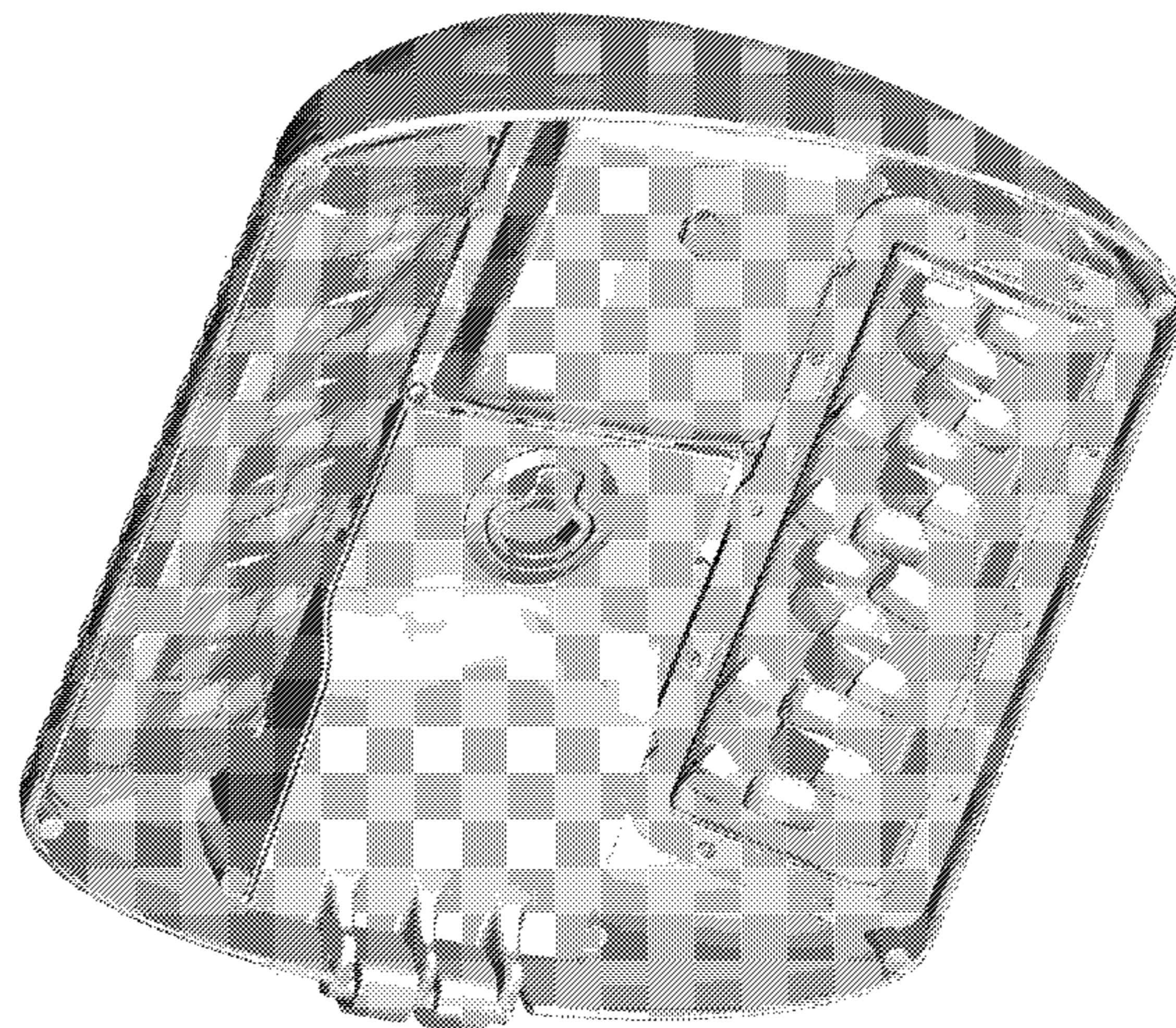
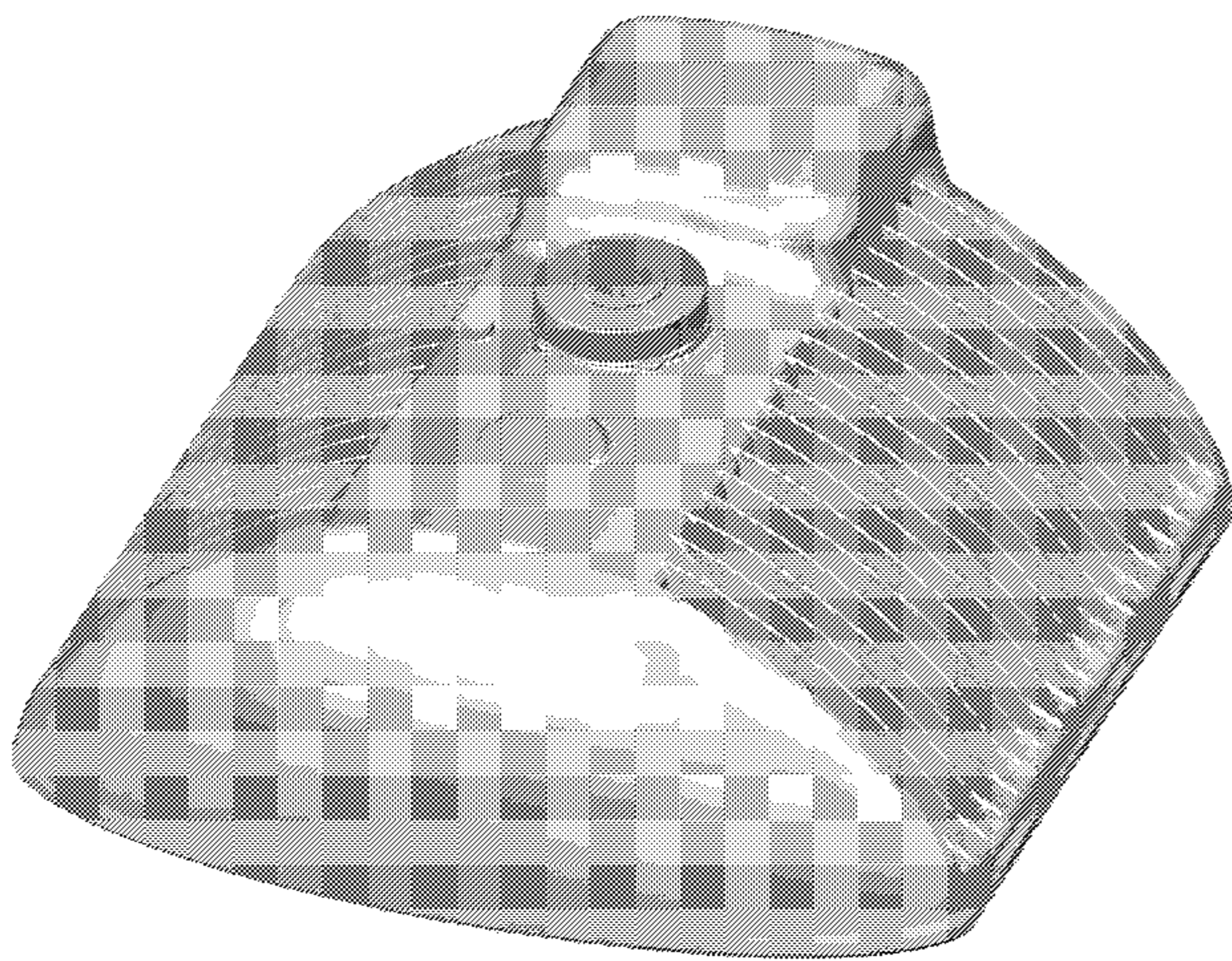
(57) **CLAIM**

The ornamental design for a light fixture, as shown.

DESCRIPTION

FIG. 1 is a left top perspective view of the light fixture;
FIG. 2 is a top plan view thereof;
FIG. 3 is a left side elevation view thereof;
FIG. 4 is a right side elevation view thereof;
FIG. 5 is a bottom plan view thereof;
FIG. 6 is a right bottom perspective view thereof;
FIG. 7 is a front elevation view thereof; and,
FIG. 8 is a back elevation view thereof.

1 Claim, 8 Drawing Sheets



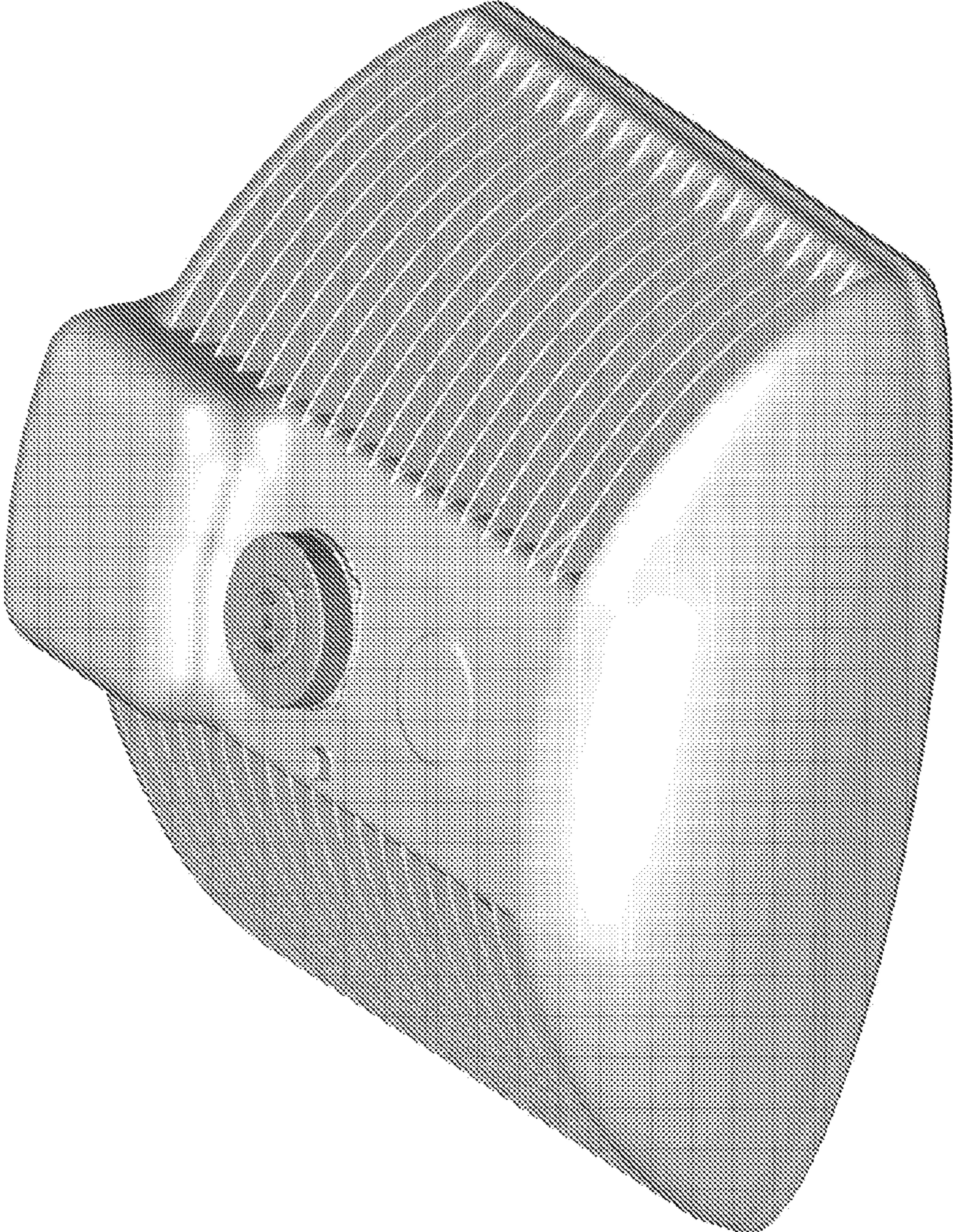


Figure 1

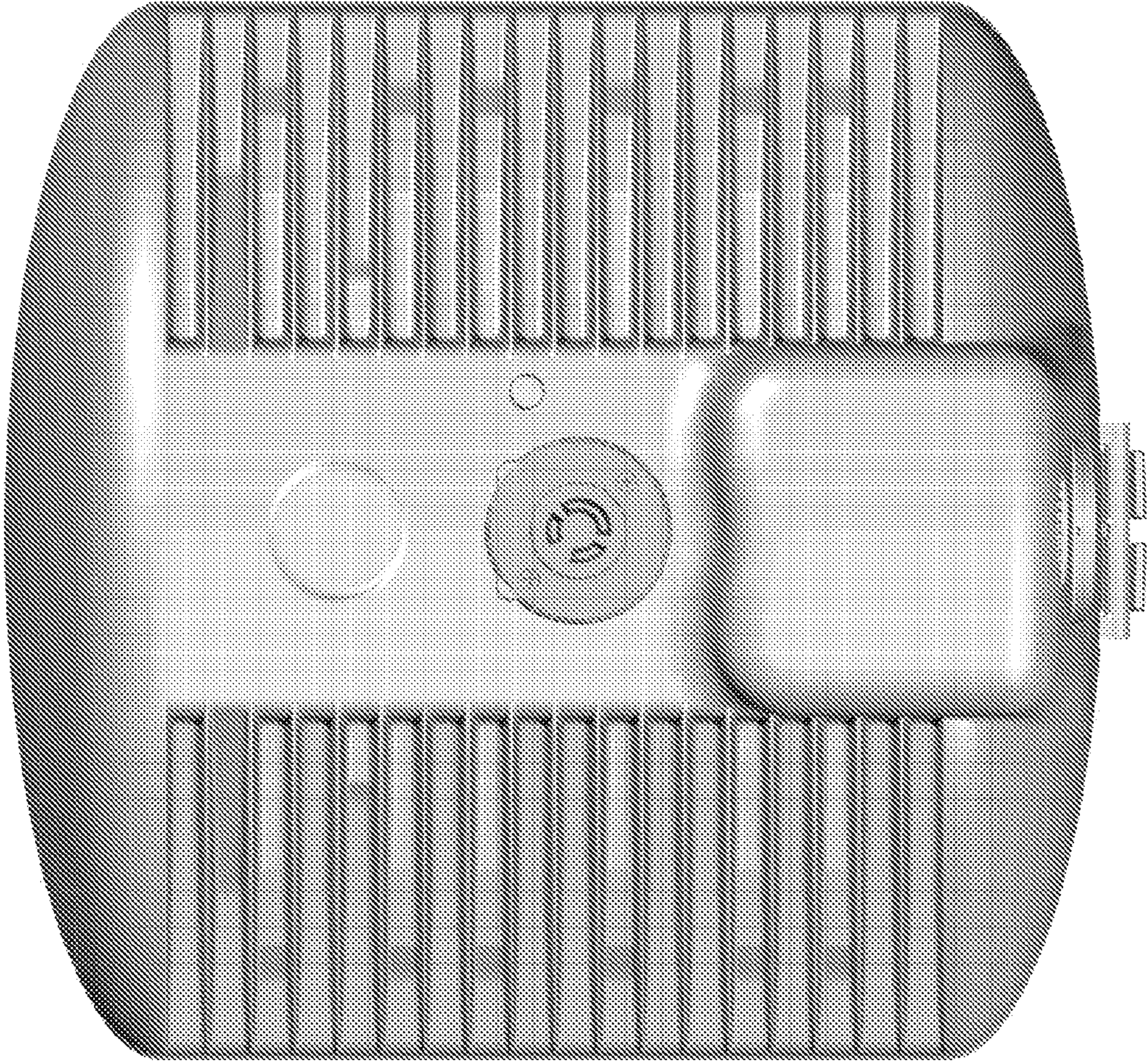


Figure 2

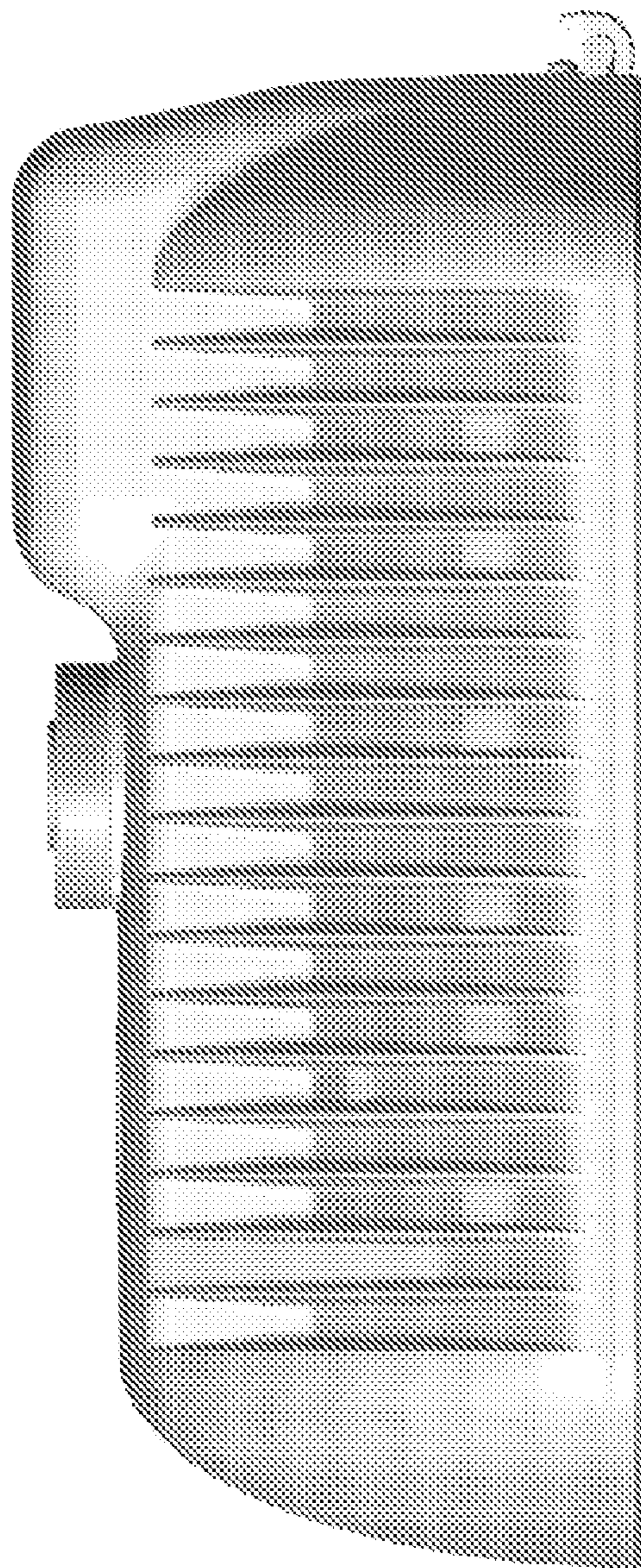


Figure 3

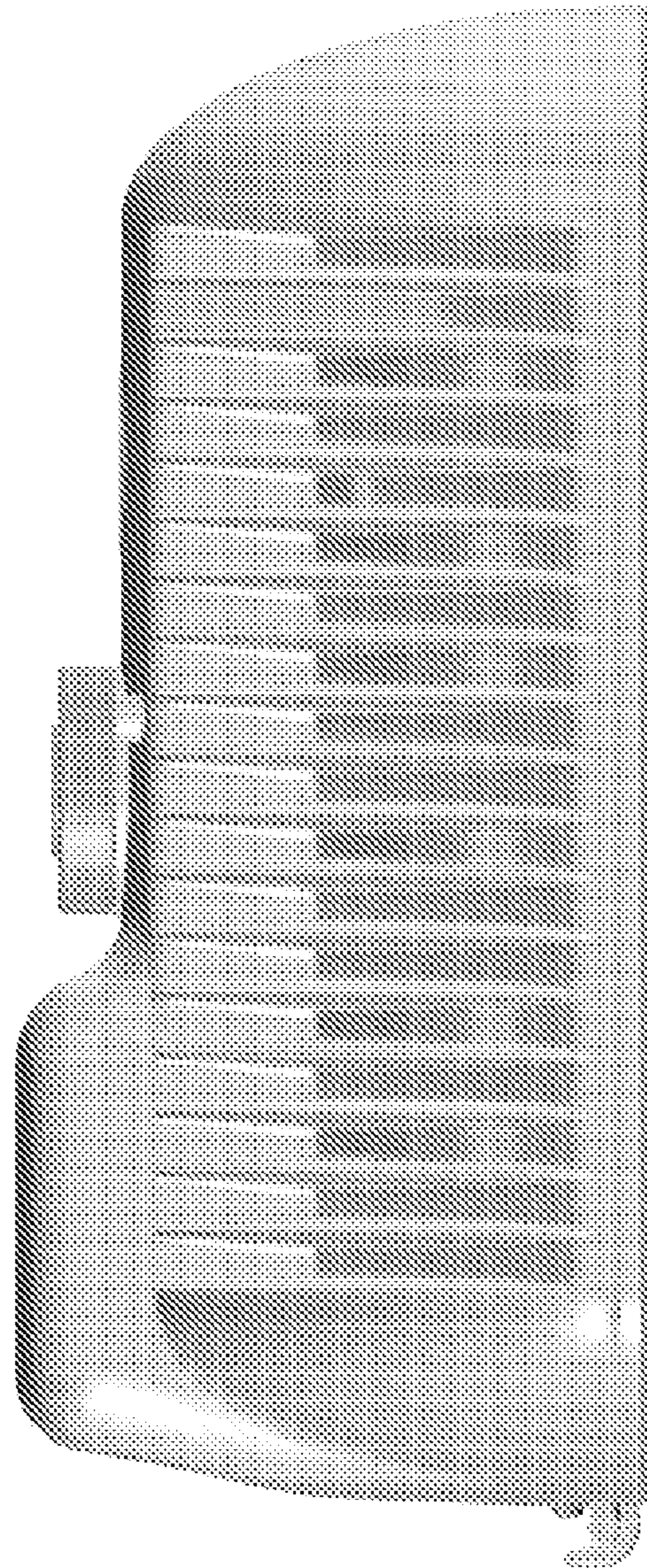


Figure 4

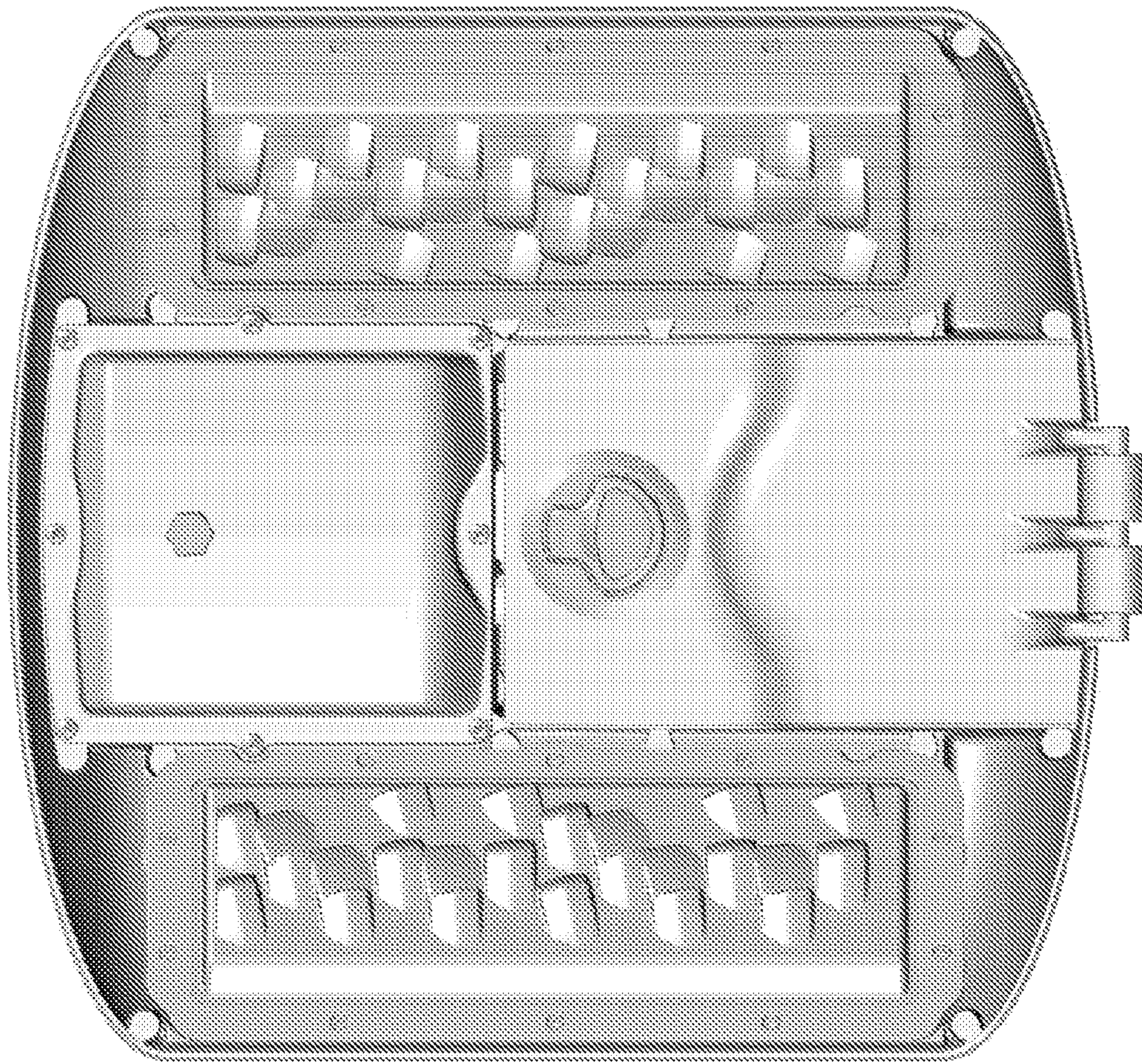


Figure 5

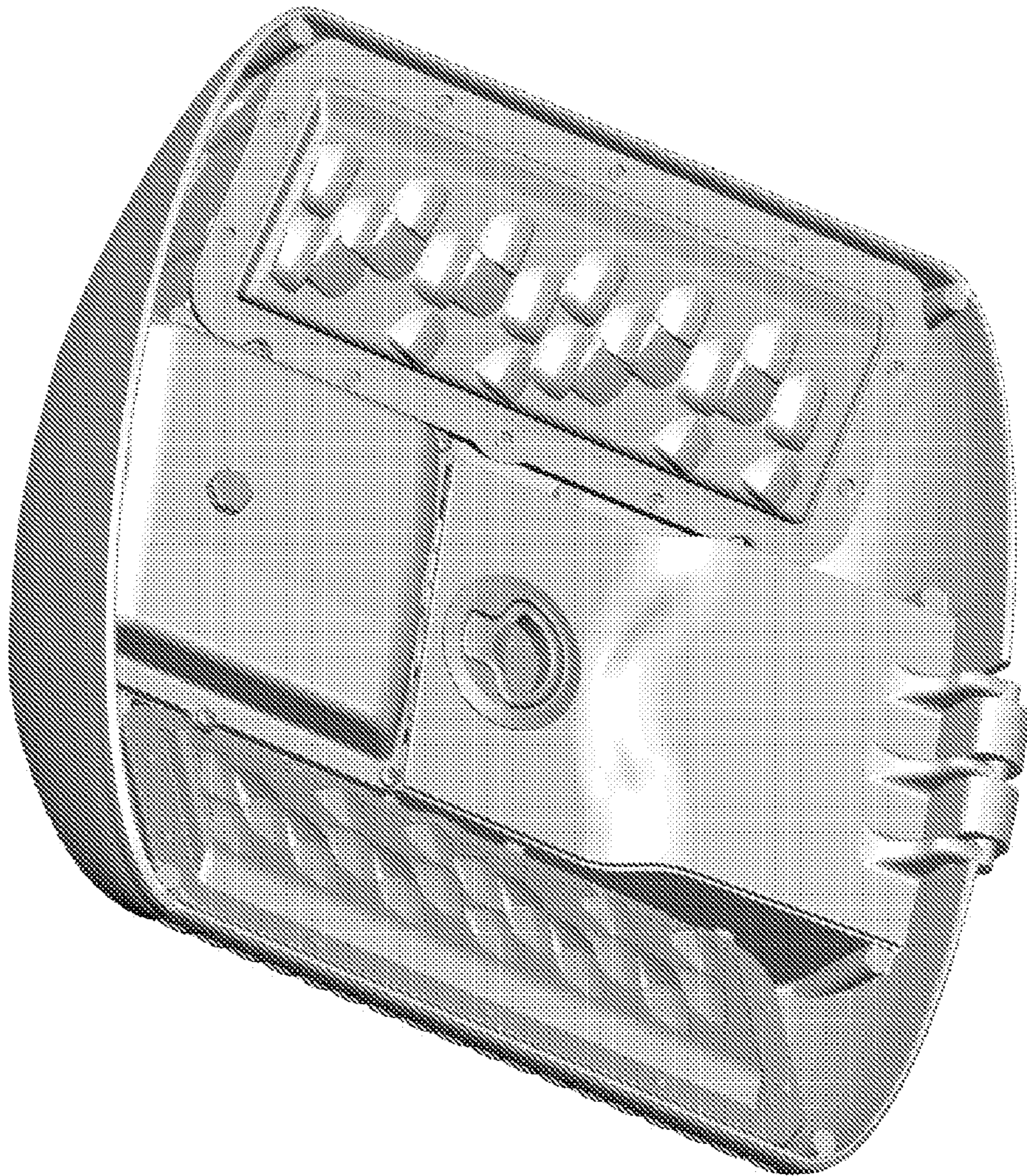


Figure 6

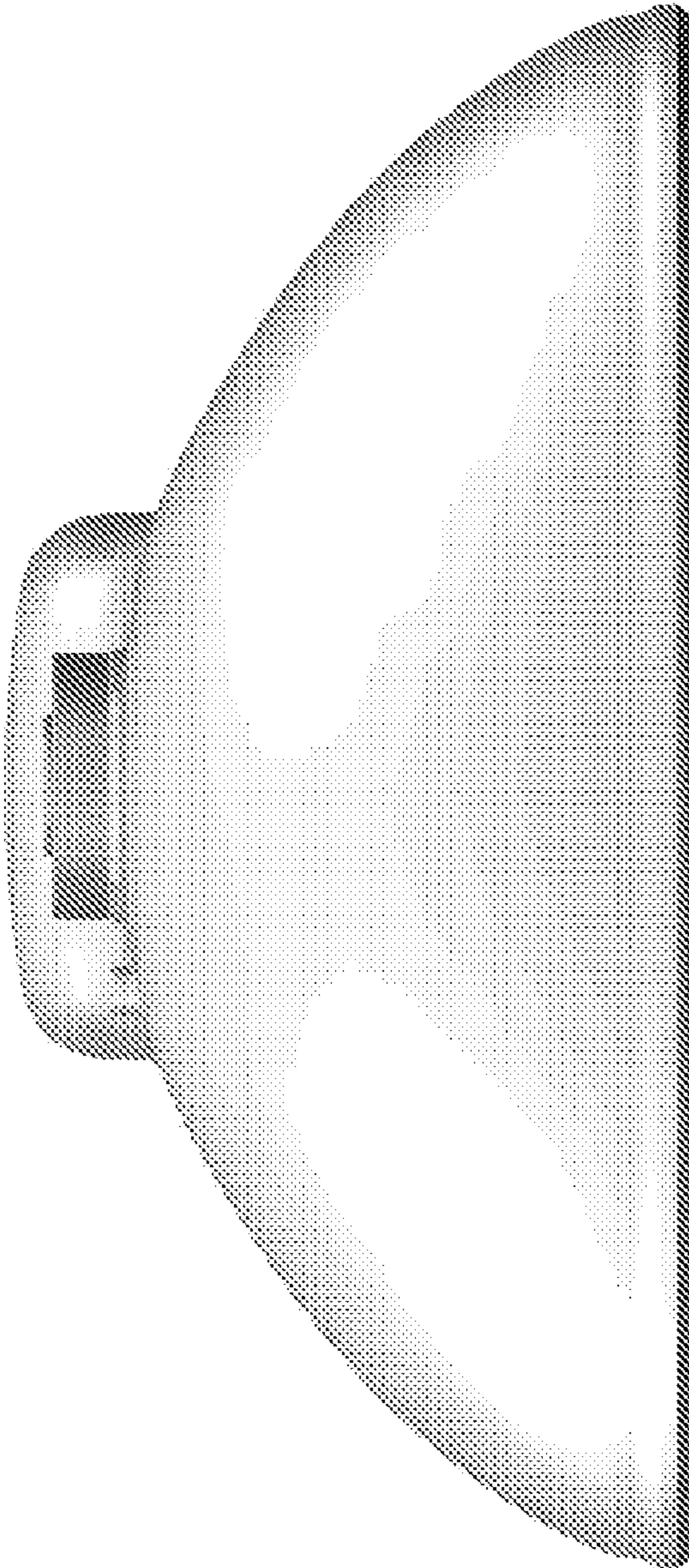


Figure 7

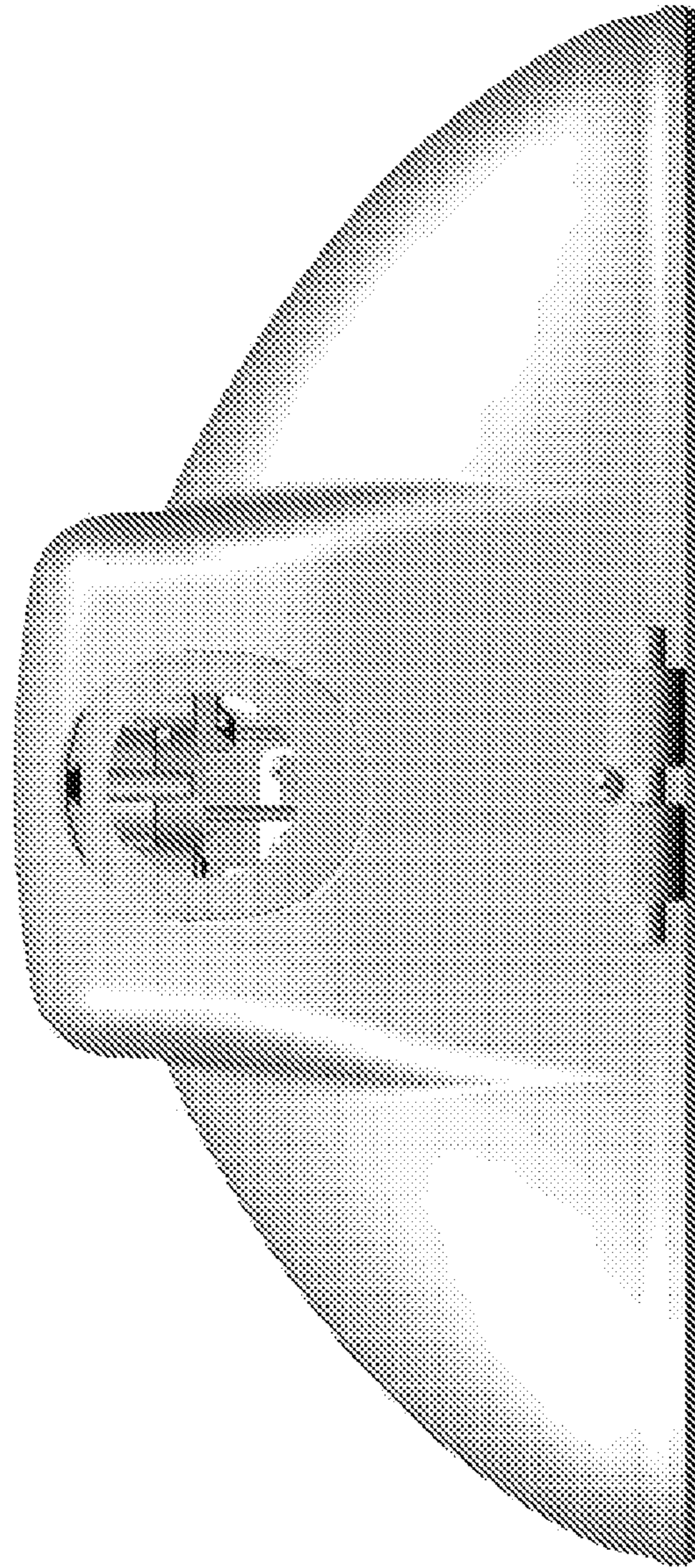


Figure 8