



US00D630785S

(12) **United States Design Patent**  
**Kim et al.**

(10) **Patent No.:** **US D630,785 S**

(45) **Date of Patent:** **\*\* Jan. 11, 2011**

(54) **LED LAMP**

D616,590 S \* 5/2010 Huang et al. .... D26/63  
D617,928 S \* 6/2010 Fredricks ..... D26/51

(76) Inventors: **Min Kong Kim**, 102ho Sangji Villa,  
1-61 Bangbae-dong, Seocho-gu, Seoul  
(KR) 137-060; **Min Sup Yoon**, 203dong  
806ho, Hyundai-Yeonyein Apt. 685-70,  
Guro-dong, Guro-gu, Seoul (KR)  
150-050

\* cited by examiner

*Primary Examiner*—Mitchell I Siegel  
(74) *Attorney, Agent, or Firm*—Harness, Dickey & Pierce,  
P.L.C.

(\*\*) Term: **14 Years**

(57) **CLAIM**

(21) Appl. No.: **29/316,617**

The ornamental design for an LED lamp, as shown and described.

(22) Filed: **Oct. 14, 2009**

**DESCRIPTION**

(30) **Foreign Application Priority Data**

Aug. 4, 2009 (KR) ..... 30-2009-0034499

FIG. 1 is a perspective view of an LED lamp embodying our new design;

(51) **LOC (9) Cl.** ..... **26-05**

FIG. 2 is a front view thereof;

(52) **U.S. Cl.** ..... **D26/63**

FIG. 3 is a rear view thereof;

(58) **Field of Classification Search** ..... D26/51,  
D26/61-66, 71, 68; 362/18, 184, 278, 320,  
362/352

FIG. 4 is a left side view thereof;

FIG. 5 is a right side view thereof;

See application file for complete search history.

FIG. 6 is a top view thereof (the bottom view being symmetrical with the top view);

FIG. 7 is a rear perspective view showing an LED lamp embodying our design on a first bracket;

(56) **References Cited**

**U.S. PATENT DOCUMENTS**

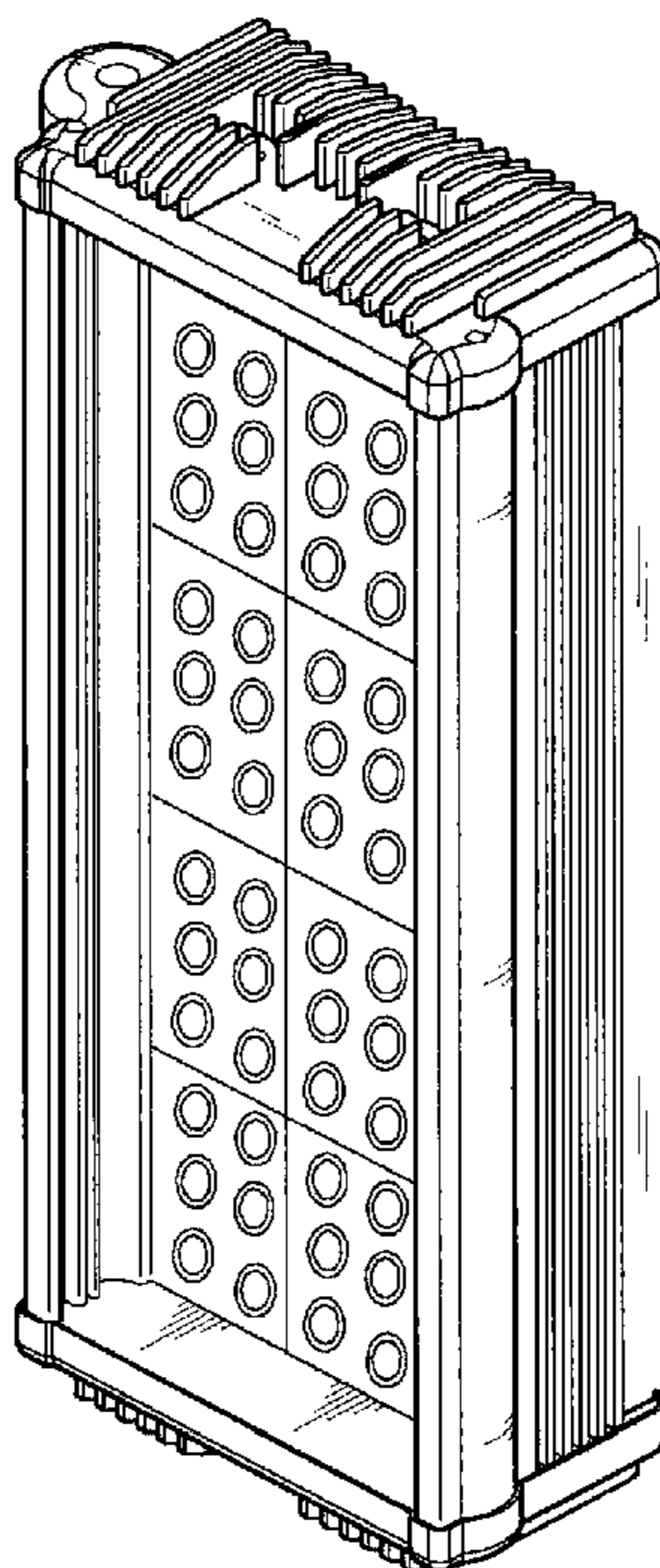
5,347,432 A \* 9/1994 Chiavetta ..... 362/18  
D418,618 S \* 1/2000 Shuenn-Fa ..... D26/65  
D523,984 S \* 6/2006 Cai ..... D26/61  
D571,032 S \* 6/2008 Chen ..... D26/61  
D598,598 S \* 8/2009 Zhou et al. .... D26/68  
D615,235 S \* 5/2010 Zheng ..... D26/71  
D615,681 S \* 5/2010 Thomson et al. .... D26/63

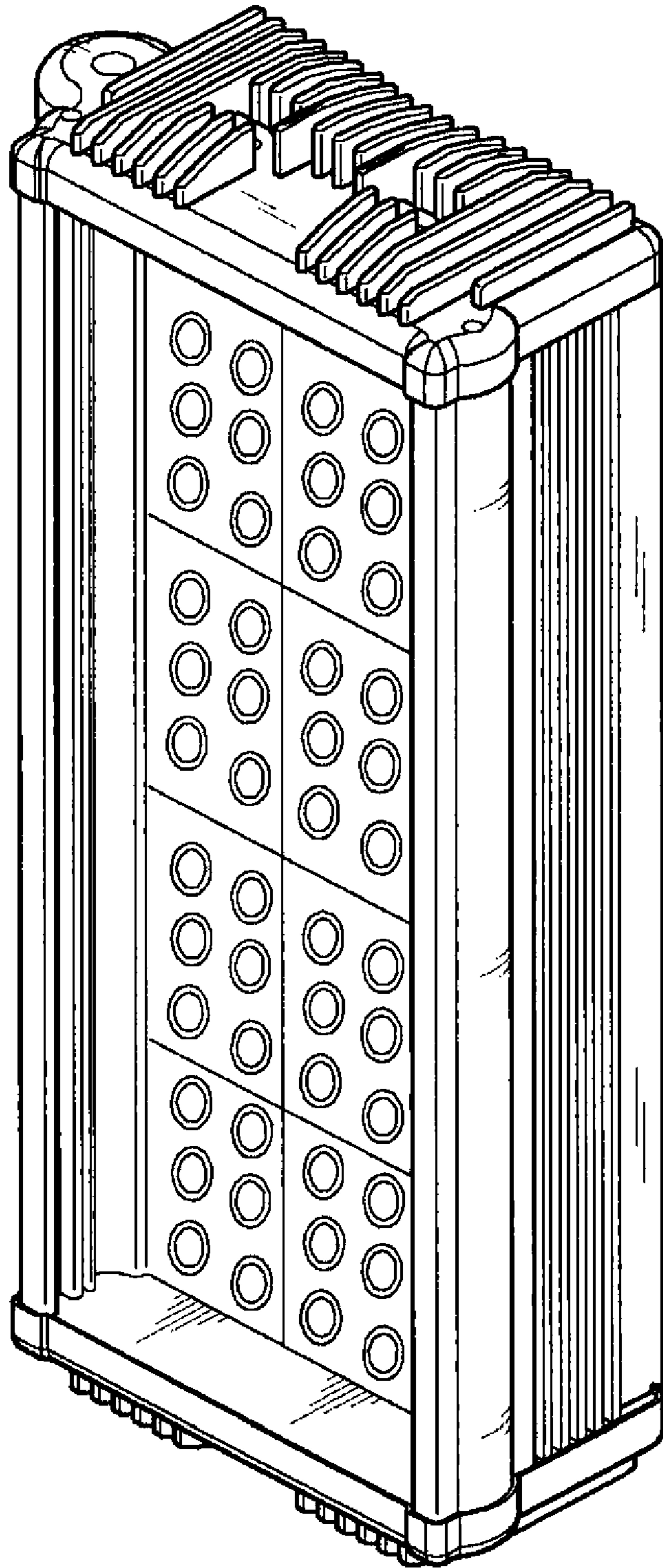
FIG. 8 is a front perspective view showing an LED lamp embodying our design on a second bracket; and,

FIG. 9 is a front perspective view showing an LED lamp embodying our design on a third bracket.

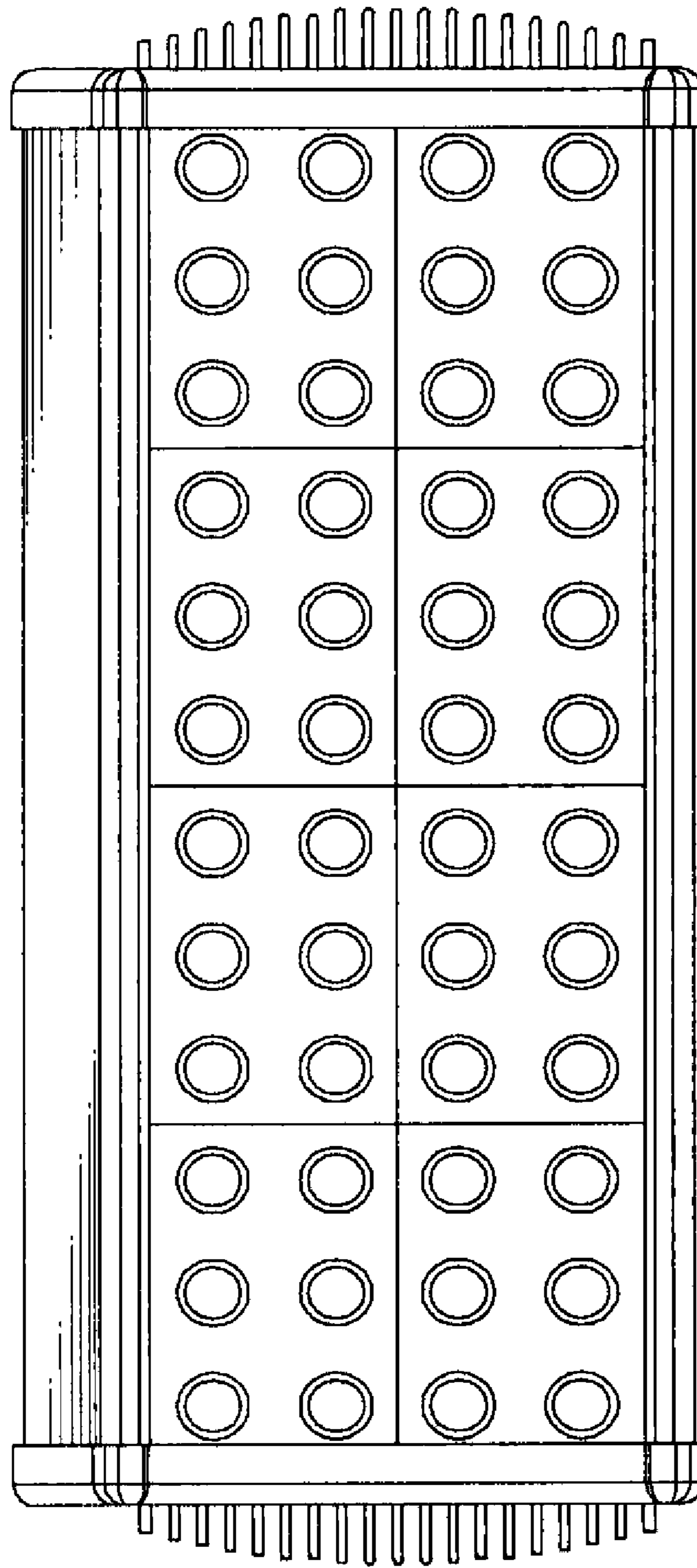
The broken lines are for illustrative purposes only and form no part of the claimed design.

**1 Claim, 9 Drawing Sheets**

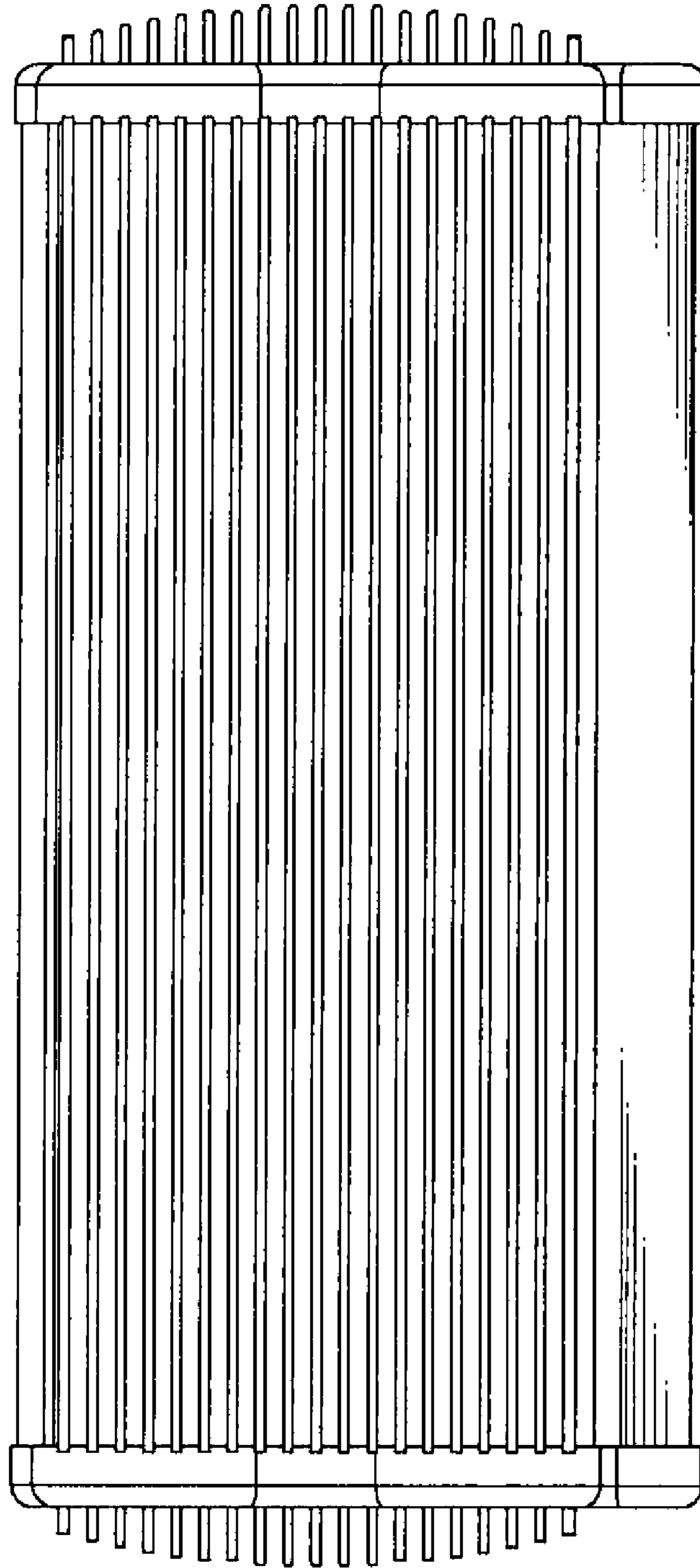




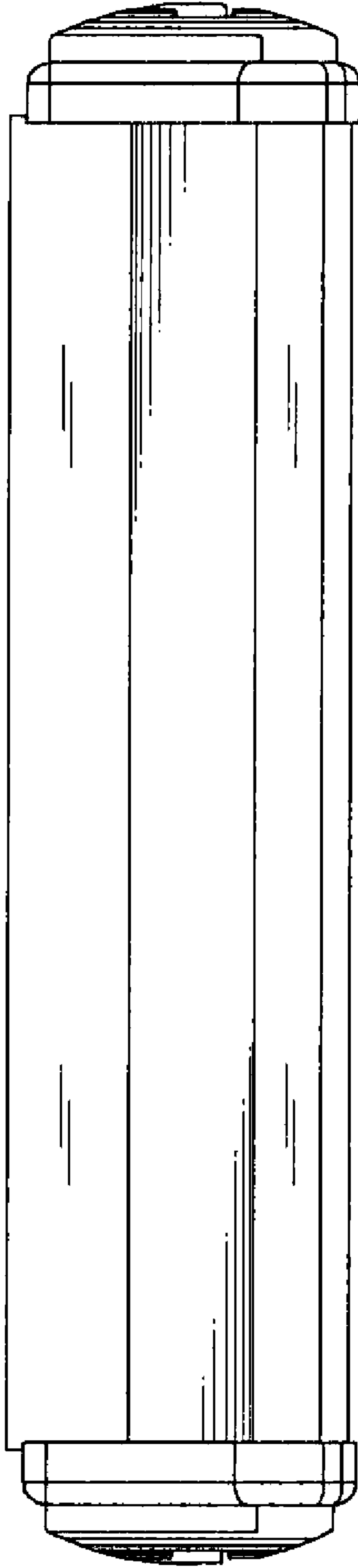
*FIG. 1*



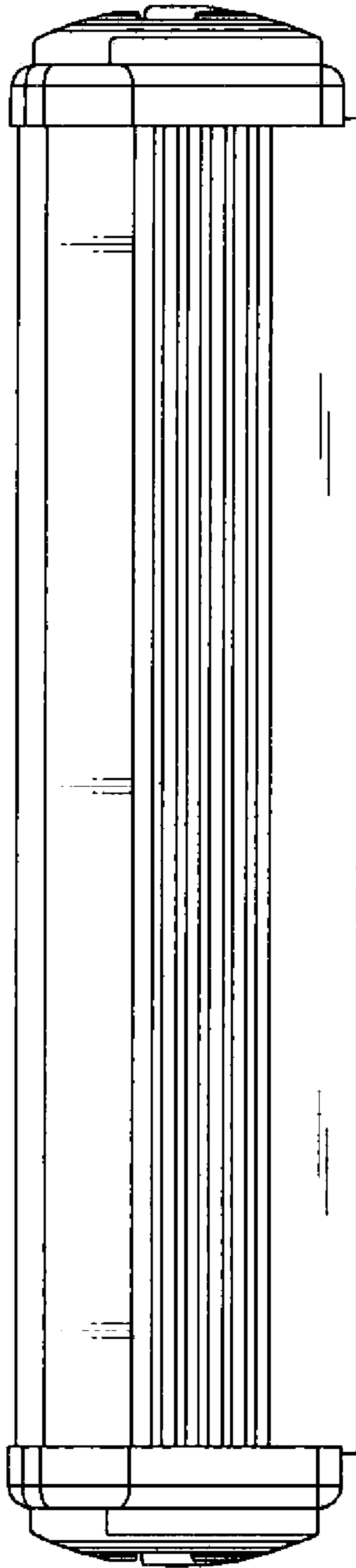
**FIG. 2**



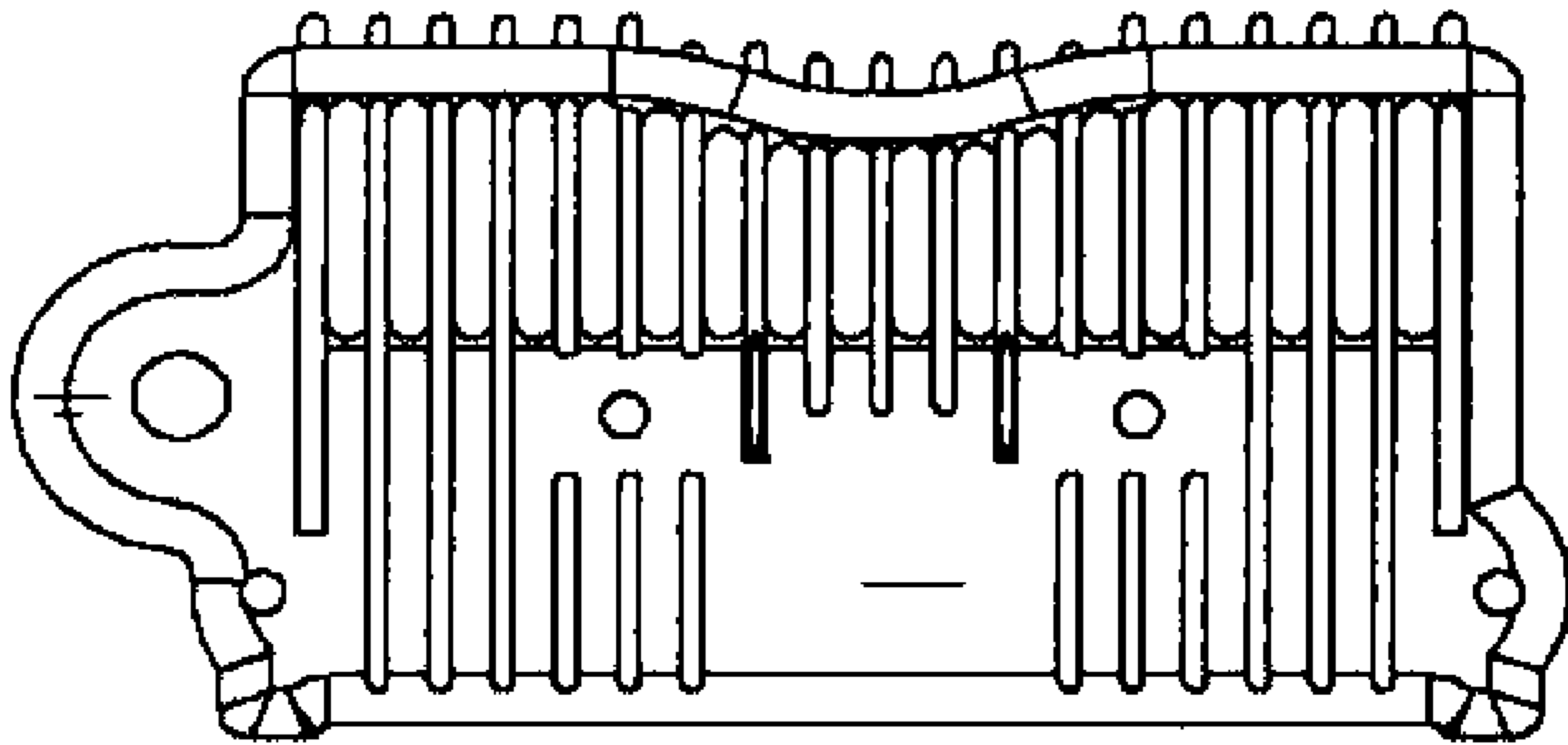
*FIG. 3*



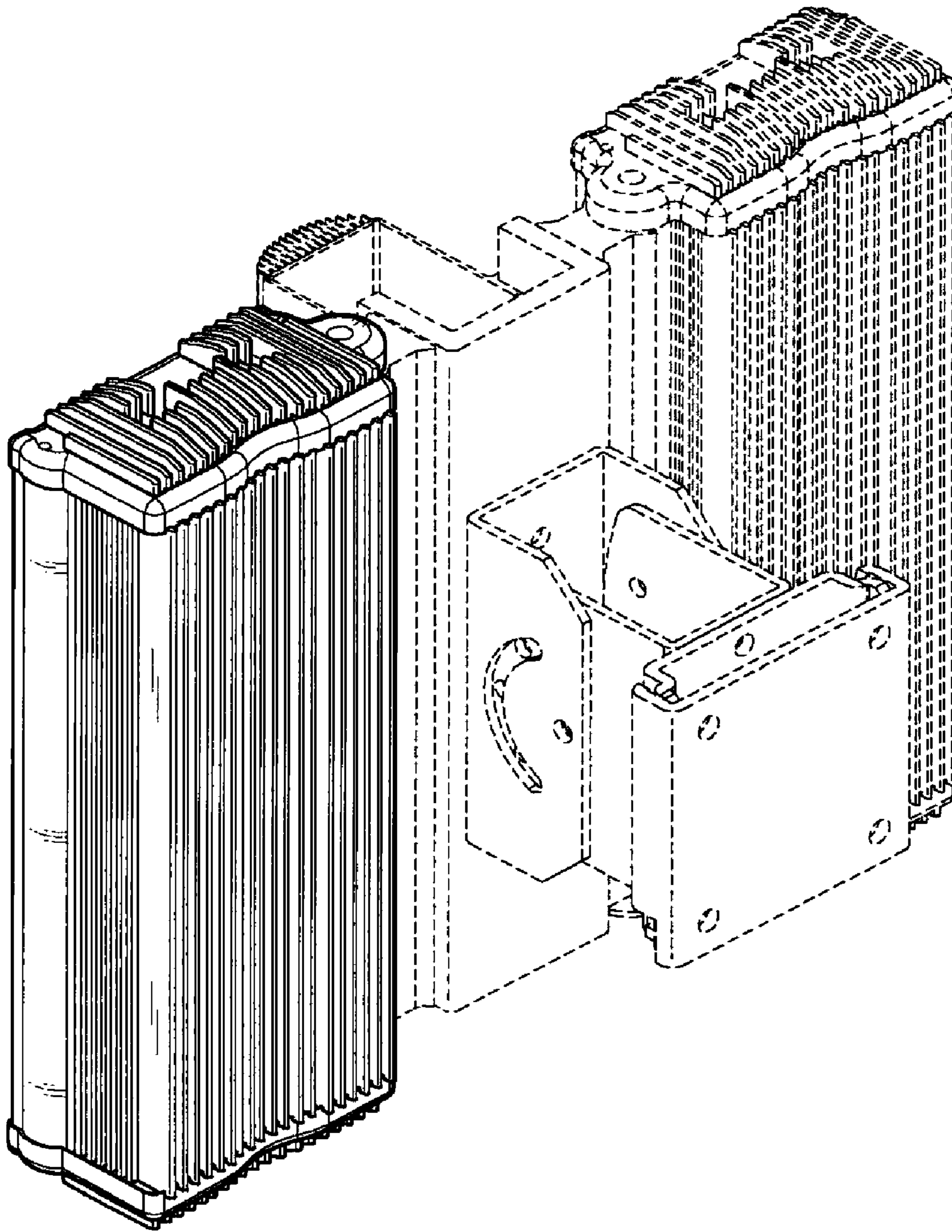
*FIG. 4*



*FIG. 5*

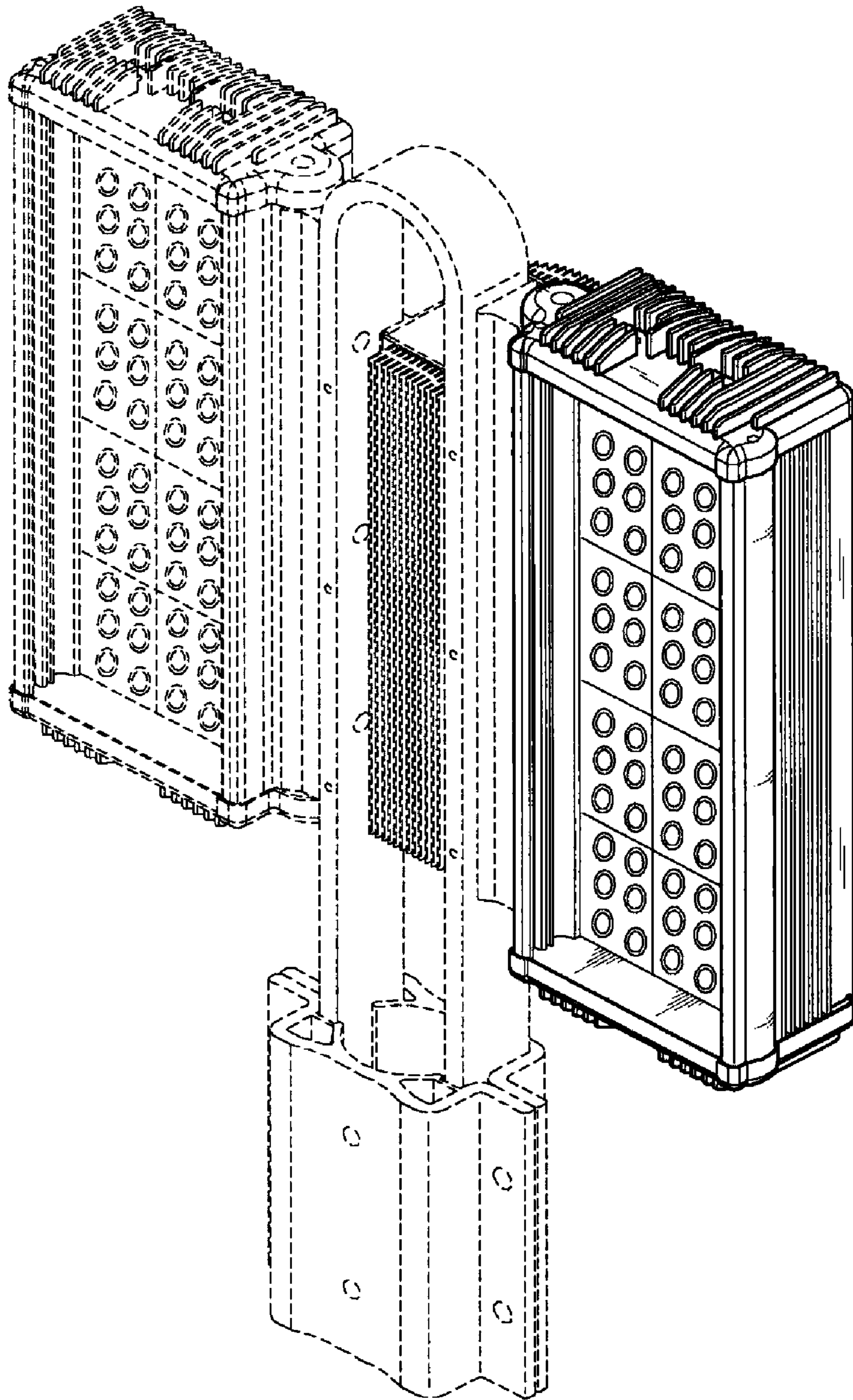


*FIG. 6*



*FIG. 7*





*FIG. 8*

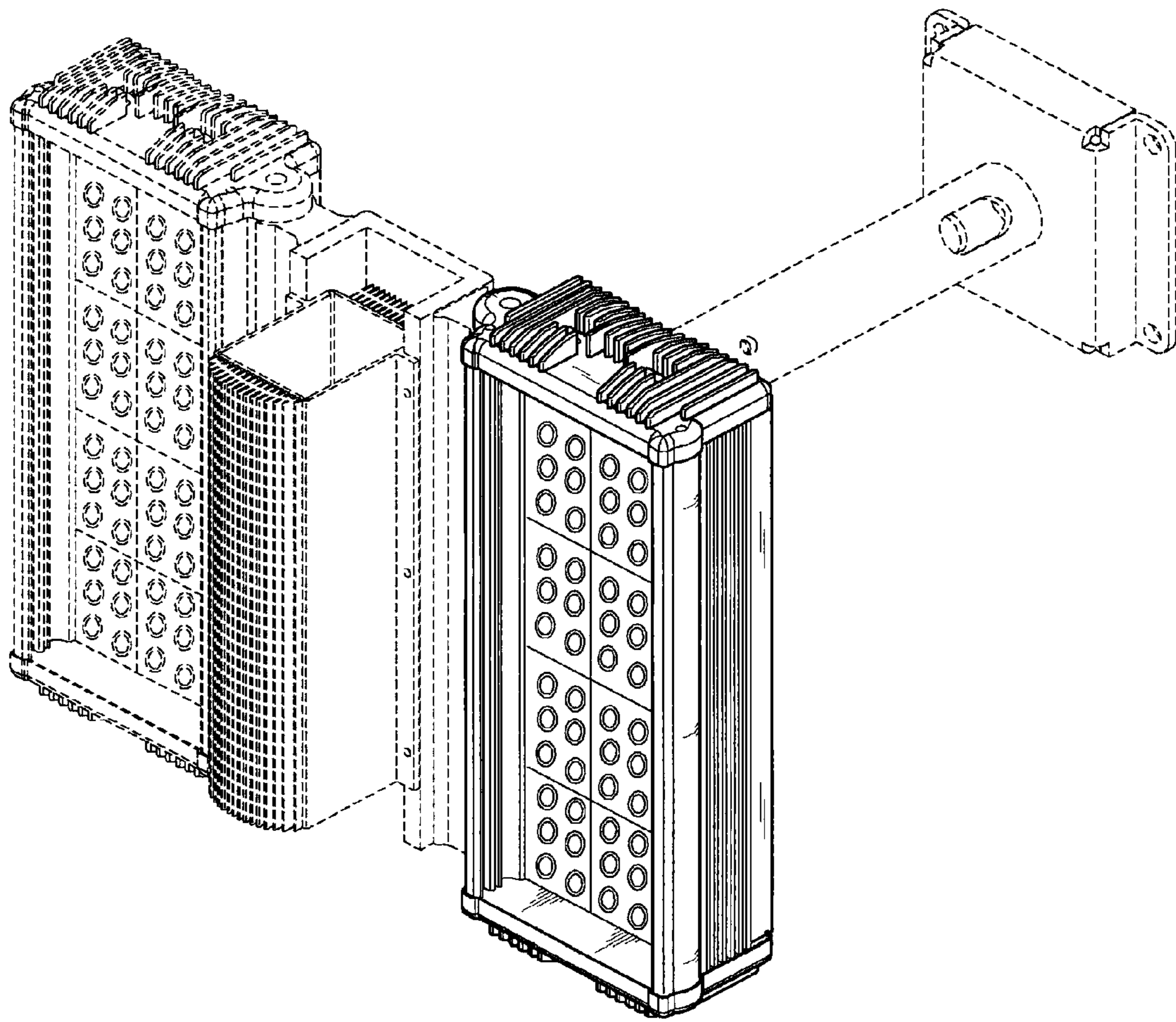


FIG. 9