



US00D630784S

(12) **United States Design Patent**
Robinson et al.

(10) **Patent No.:** **US D630,784 S**
(45) **Date of Patent:** **** Jan. 11, 2011**

(54) **FLASHLIGHT WITH FLAME DESIGN**

(75) Inventors: **Glenn Robinson**, Coral Springs, FL (US); **Michael Garcia**, Coral Springs, FL (US); **Joseph Deguglimo**, Boca Raton, FL (US)

(73) Assignee: **IBT Holdings, LLC**, Deerfield Beach, FL (US)

(**) Term: **14 Years**

(21) Appl. No.: **29/370,159**

(22) Filed: **Jun. 14, 2010**

(51) **LOC (9) Cl.** **26-02**

(52) **U.S. Cl.** **D26/49; D26/47**

(58) **Field of Classification Search** D26/37, D26/38, 39, 40, 48, 45, 46, 49, 50; 362/157, 362/158, 183, 184, 194–208
See application file for complete search history.

(56) **References Cited**

U.S. PATENT DOCUMENTS

- D568,515 S * 5/2008 Liu D26/49
- D572,395 S * 7/2008 Guelzow et al. D26/49
- D596,772 S * 7/2009 Chang D26/49

- D599,492 S * 9/2009 Wang et al. D26/49
- D617,482 S * 6/2010 Garcia et al. D26/49
- D624,677 S * 9/2010 Deguglimo et al. D26/49
- D625,447 S * 10/2010 Brown et al. D26/49
- D625,448 S * 10/2010 Brown et al. D26/49

* cited by examiner

Primary Examiner—Charles A Rademaker

Assistant Examiner—Carissa C Fitts

(74) *Attorney, Agent, or Firm*—Dan M. De La Rosa

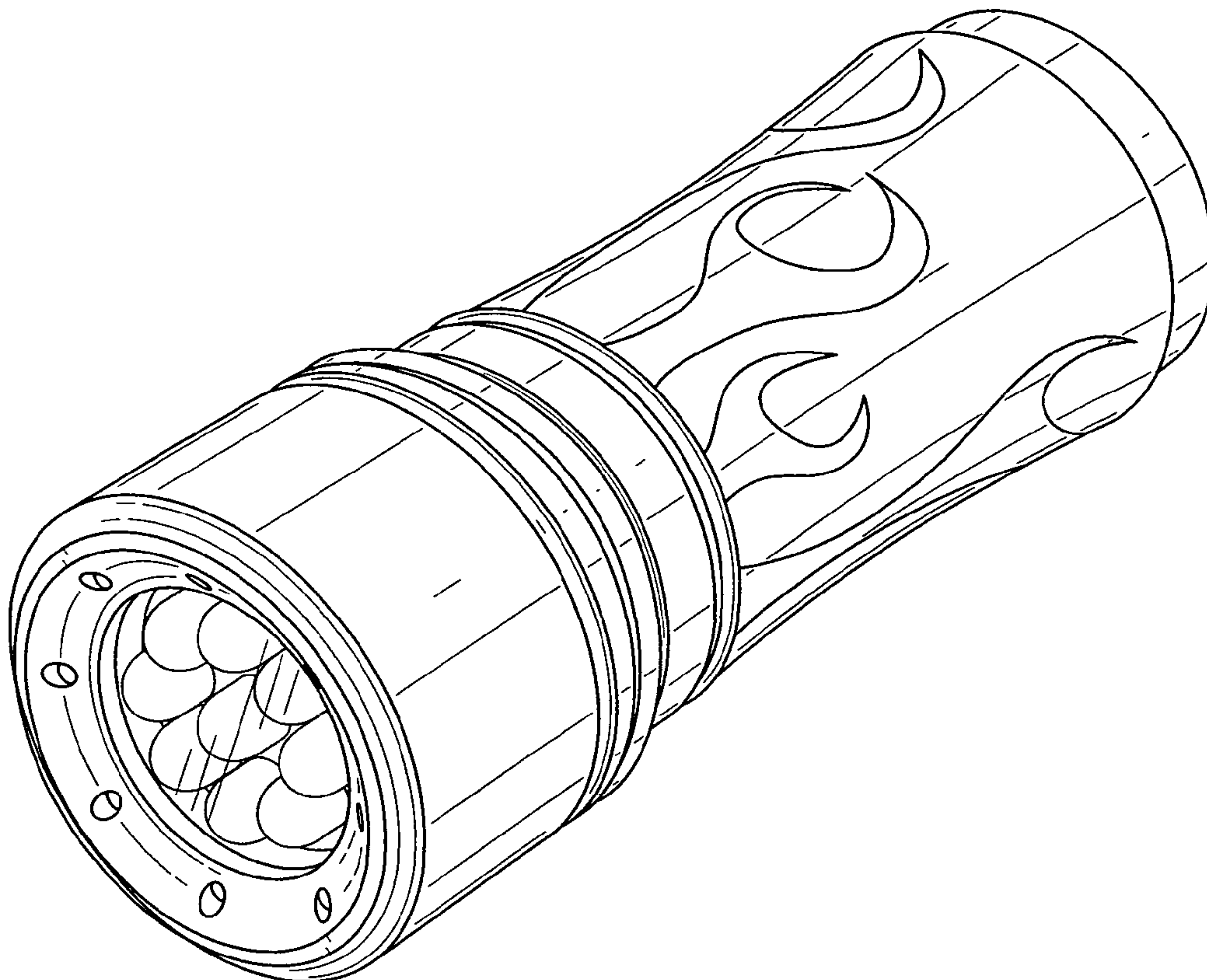
(57) **CLAIM**

The ornamental design for a flashlight with flames, as shown and described.

DESCRIPTION

FIG. 1 is a front perspective view of the flashlight with flames of the present invention showing my new design;
FIG. 2 is a front side elevational view thereof;
FIG. 3 is a back side elevational view thereof;
FIG. 4 is a side elevational view thereof;
FIG. 5 is another side elevational view thereof;
FIG. 6 is a top plan view thereof; and,
FIG. 7 is a bottom plan view thereof.

1 Claim, 4 Drawing Sheets



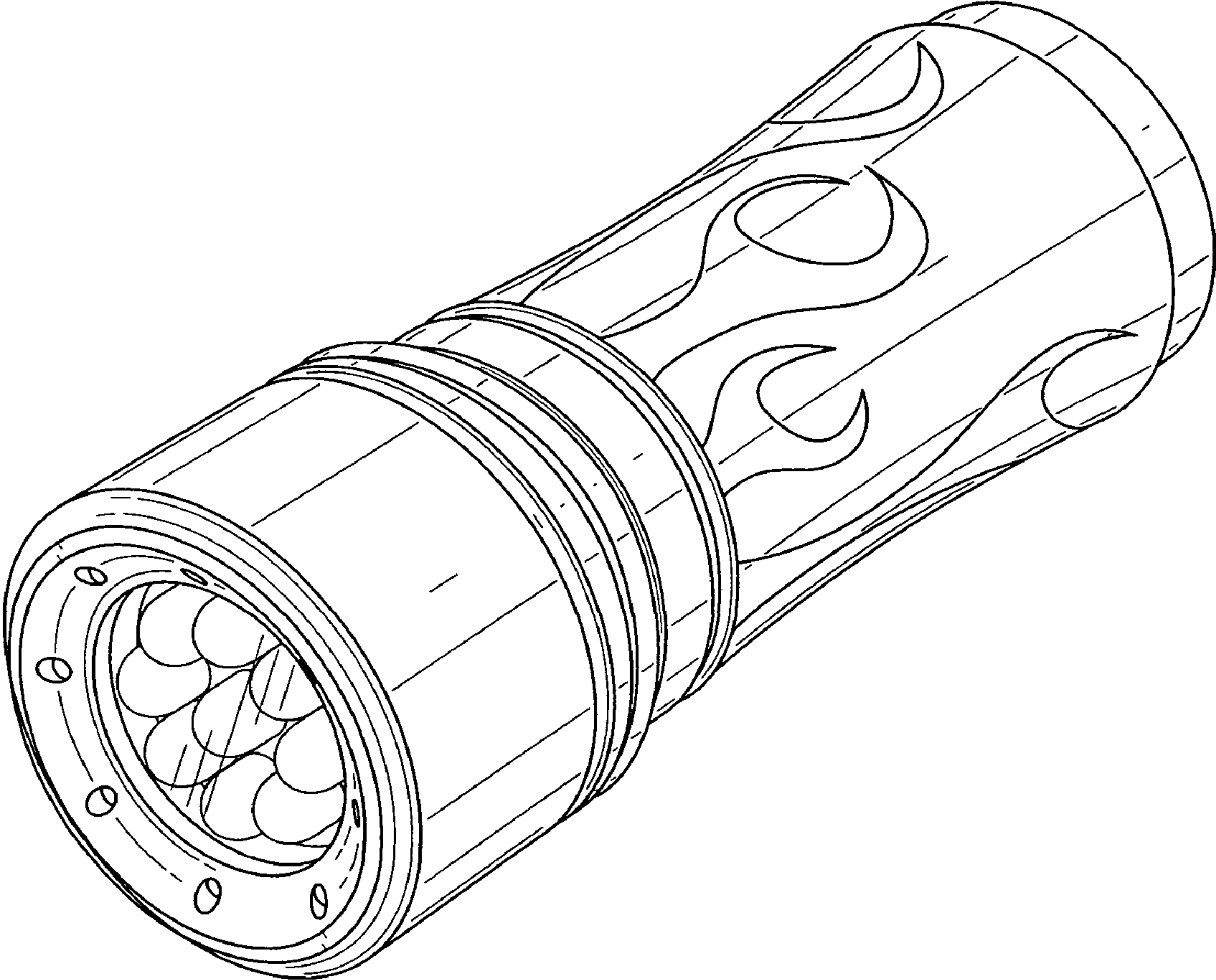


FIG. 1

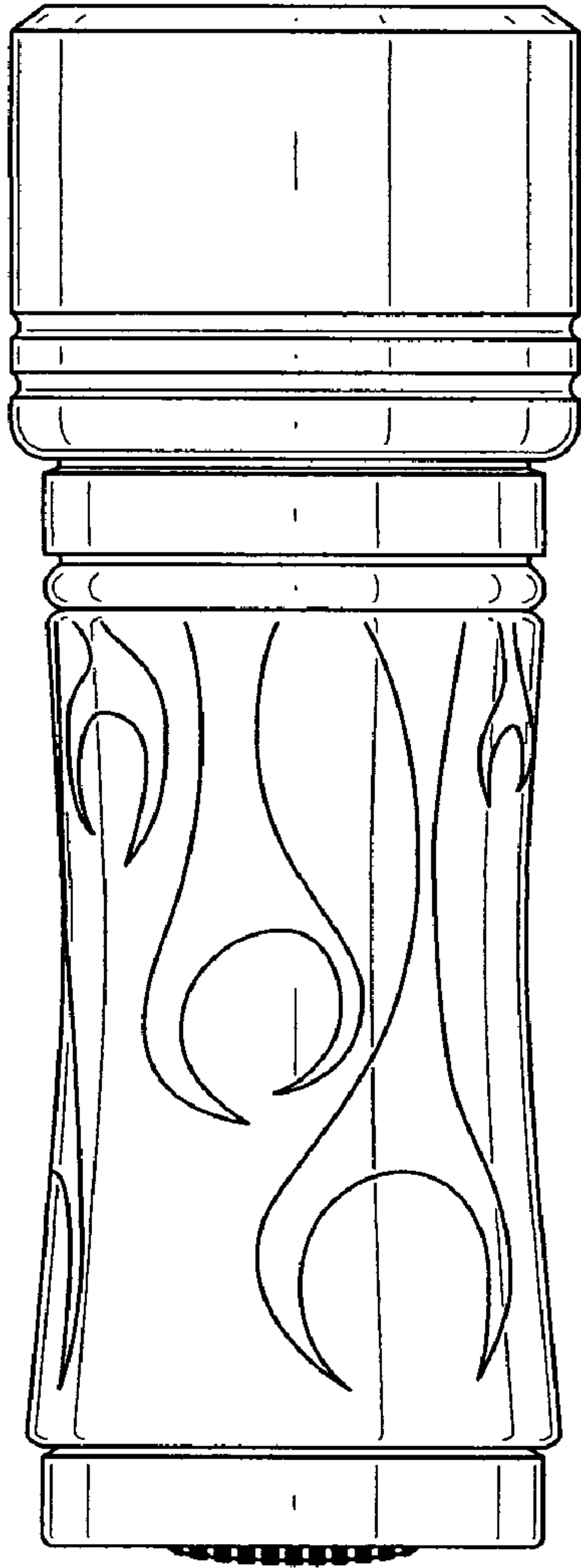


FIG. 2

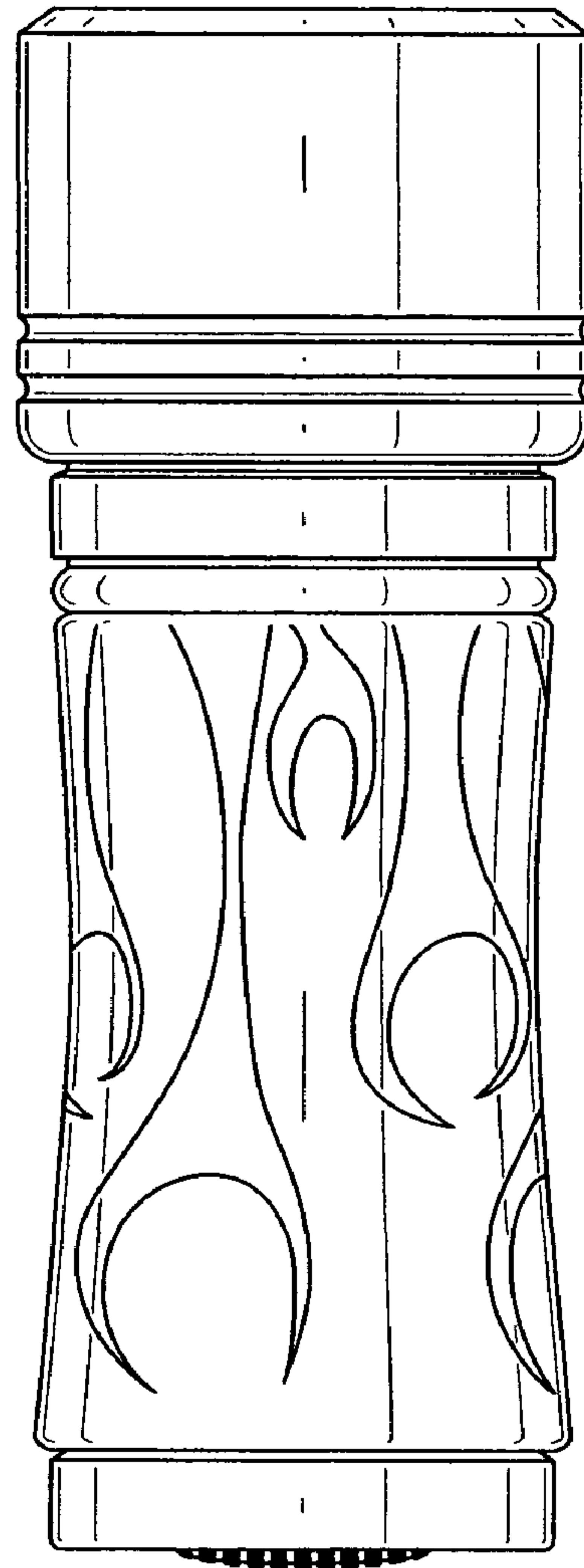


FIG. 3

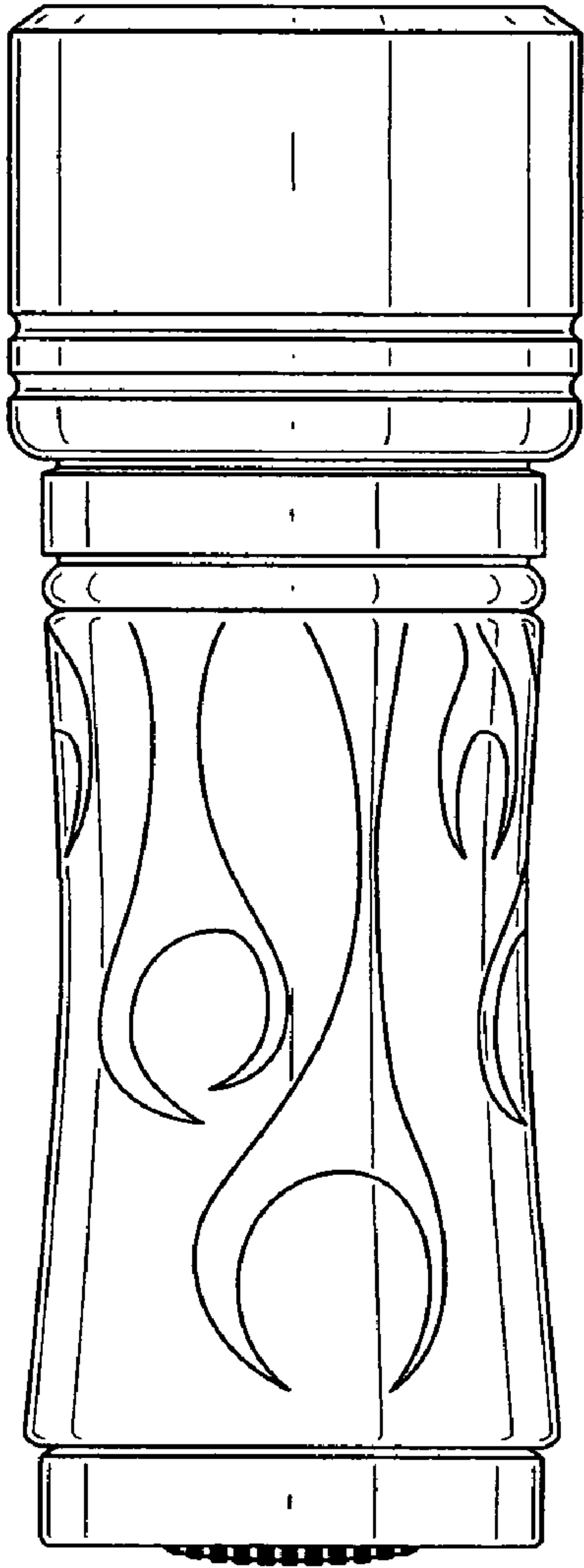


FIG. 4

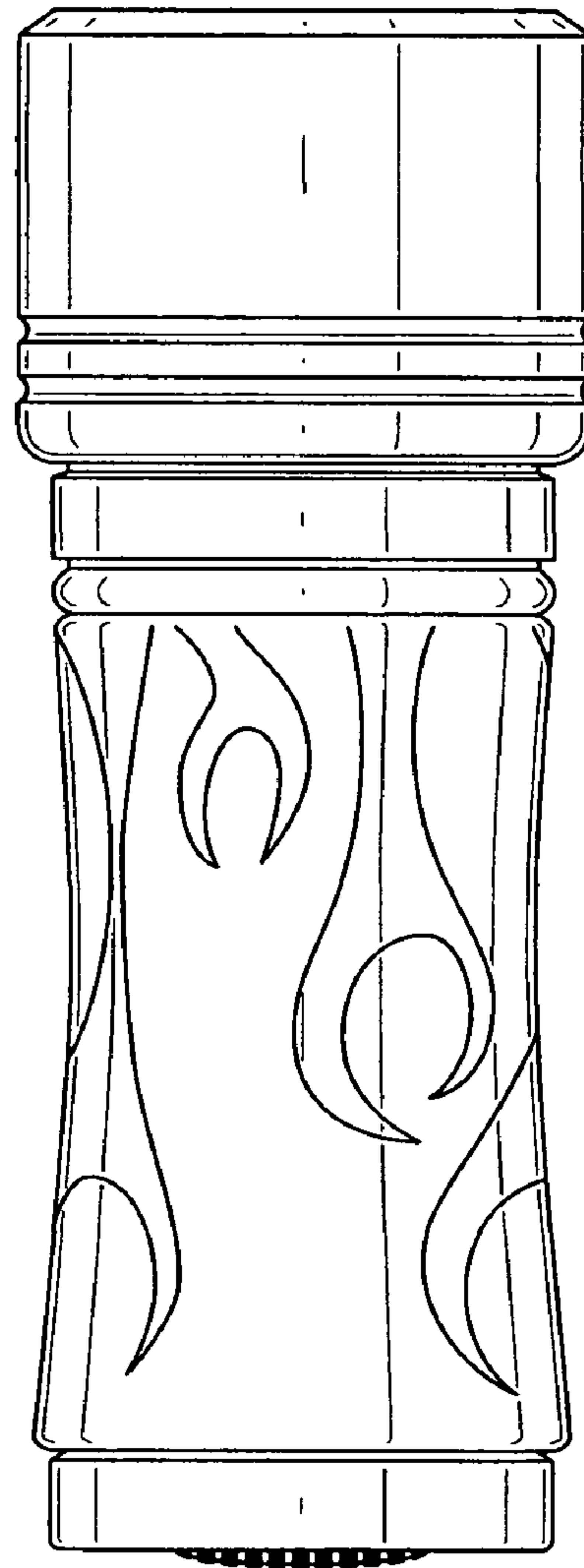


FIG. 5

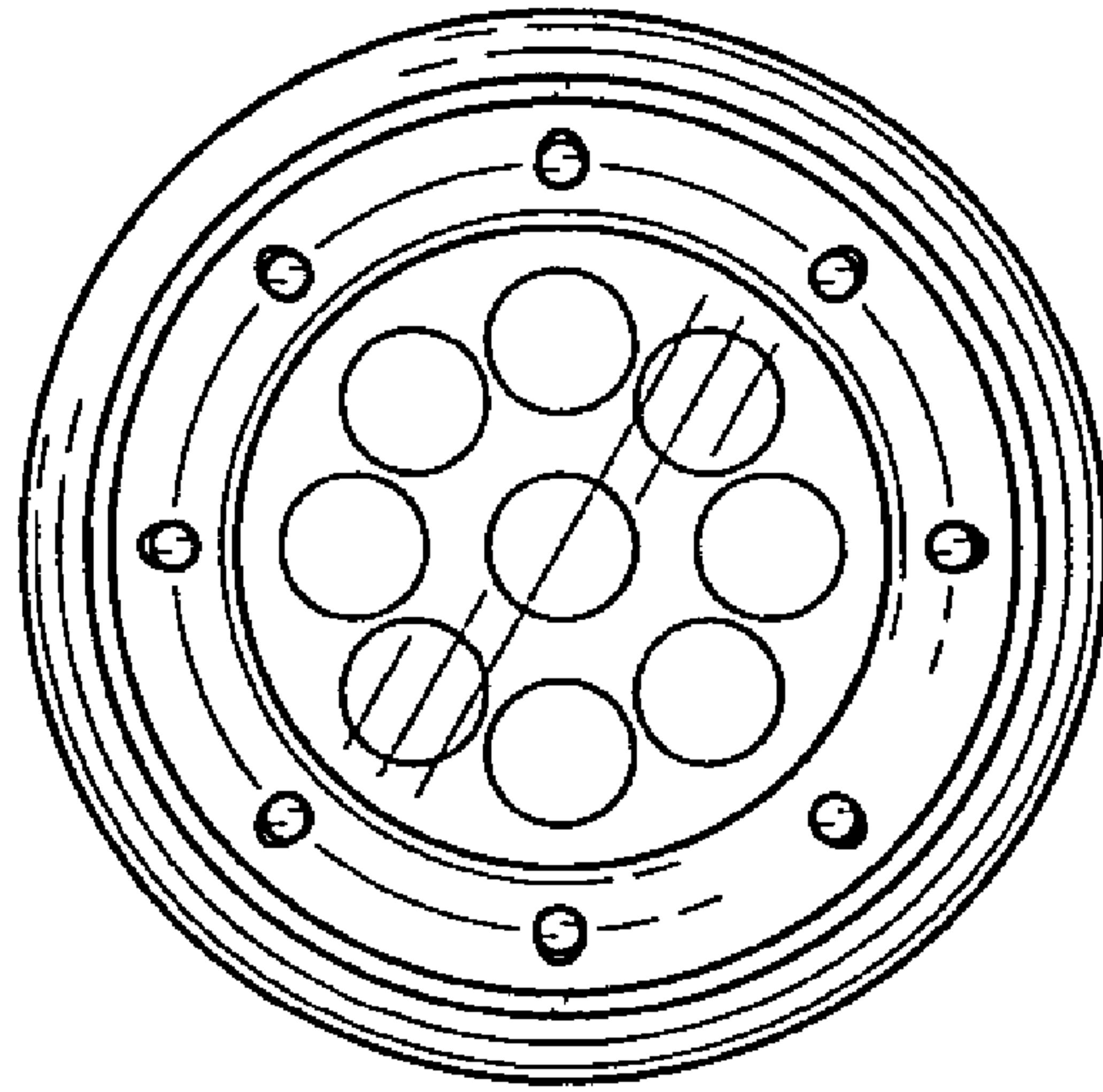


FIG. 6

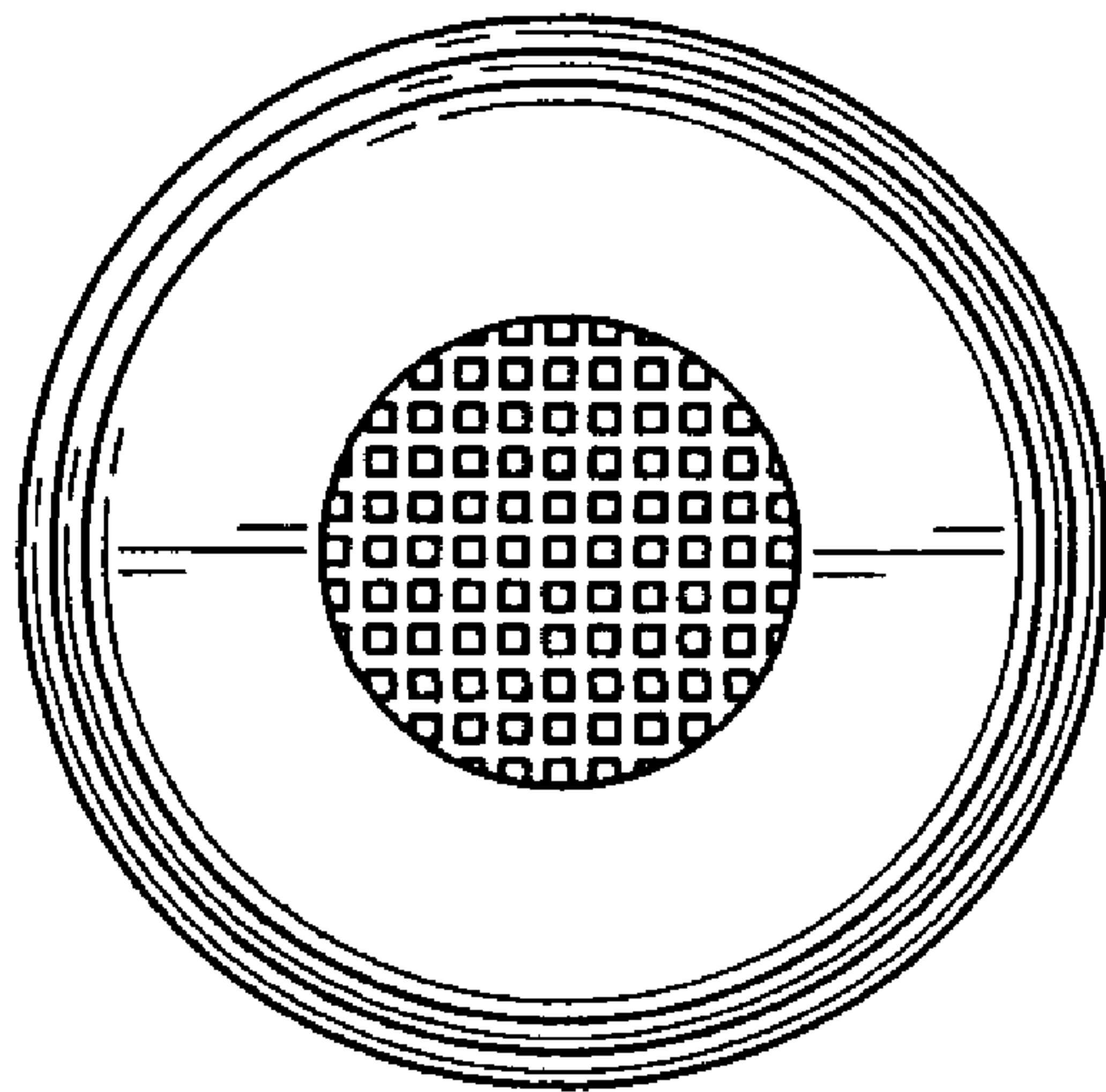


FIG. 7