



US00D630783S

(12) **United States Design Patent**  
**Baker et al.**

(10) **Patent No.:** **US D630,783 S**  
(45) **Date of Patent:** **\*\* Jan. 11, 2011**

(54) **FLASHLIGHT**

(75) Inventors: **Kathleen Baker**, New Fairfield, CT (US); **Stuart A Karten**, Venice, CA (US); **Eric W. Olson**, Los Angeles, CA (US); **Eric Gregory Schmid**, Culver City, CA (US); **Paul Trotman Kirley**, Los Angeles, CA (US); **Jonathan Abarbanel**, Los Angeles, CA (US)

(73) Assignee: **The Gillette Company**, Boston, MA (US)

(\*\*) Term: **14 Years**

(21) Appl. No.: **29/314,636**

(22) Filed: **Apr. 15, 2009**

(51) **LOC (9) Cl.** ..... **26-02**  
(52) **U.S. Cl.** ..... **D26/49**  
(58) **Field of Classification Search** ..... D26/37,  
D26/38, 40-50; 362/157, 158, 183-199,  
362/202-208

See application file for complete search history.

(56) **References Cited**

U.S. PATENT DOCUMENTS

D238,604 S *	1/1976	Brindley	.....	D26/49
D280,028 S *	8/1985	Petterson	.....	D26/49
D353,216 S	12/1994	Sharrah et al.		
D363,361 S	10/1995	Maglica		
D367,721 S	3/1996	Maglica		
D368,147 S *	3/1996	Bamber et al.	.....	D26/49
D424,226 S *	5/2000	Petterson	.....	D26/49
D425,231 S *	5/2000	Lynch et al.	.....	D26/49
D433,171 S *	10/2000	Petterson et al.	.....	D26/49
D444,898 S *	7/2001	Israel et al.	.....	D26/49
D445,522 S *	7/2001	Chiu	.....	D26/49
D449,395 S *	10/2001	Dalton et al.	.....	D26/49
D467,022 S *	12/2002	Fritz	.....	D26/49
D482,151 S *	11/2003	Shiu	.....	D26/49
D486,935 S *	2/2004	Shiu	.....	D26/49
D488,877 S *	4/2004	Shin	.....	D26/49
D493,008 S *	7/2004	Brent	.....	D26/49

D520,167 S *	5/2006	Garrity	.....	D26/49
D523,982 S *	6/2006	Doong	.....	D26/49
D574,984 S	8/2008	Hesse et al.		
D579,594 S	10/2008	Hesse et al.		
D606,222 S *	12/2009	Gebhard	.....	D26/49

OTHER PUBLICATIONS

Hesse et al., U.S. Appl. No. 29/336,536, filed May 5, 2009, entitled "Portion of a Flashlight".

Baker et al., U.S. Appl. No. 29/335,400, filed Apr. 15, 2009, entitled "Portion of a Flashlight".

Baker et al., U.S. Appl. No. 29/335,396, filed Apr. 15, 2009, entitled "Portion of a Flashlight".

(Continued)

*Primary Examiner*—Charles A Rademaker

*Assistant Examiner*—Carissa C Fitts

(74) *Attorney, Agent, or Firm*—Fish & Richardson P.C.

(57) **CLAIM**

The ornamental design for a flashlight, as shown and described.

**DESCRIPTION**

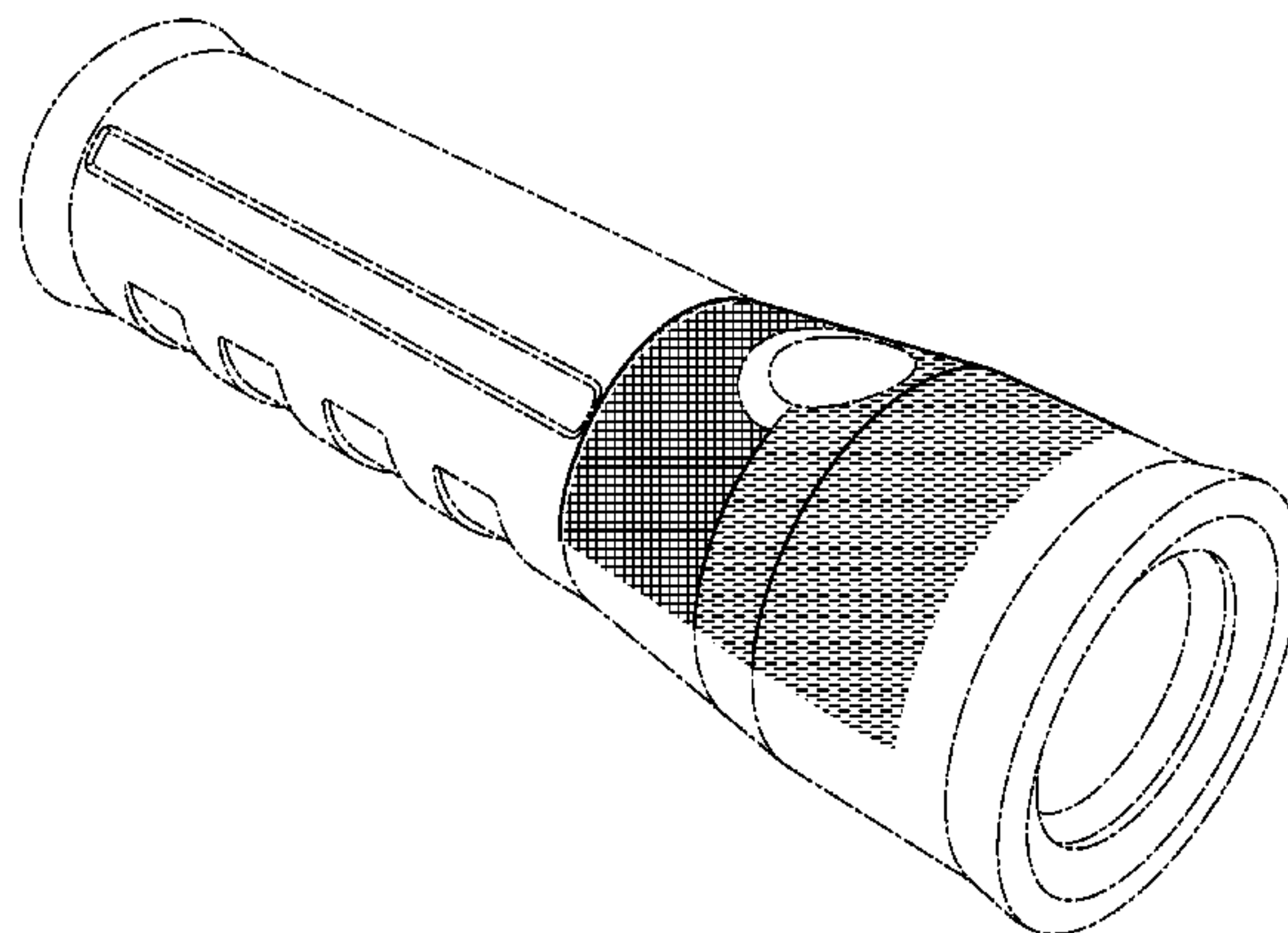
FIG. 1 is a top perspective view of the flashlight as seen from the front, top, and left side, lined for the colors black and silver;

FIG. 2 is a top plan view of the flashlight of FIG. 1; and,

FIG. 3 is a right side elevational view of the flashlight of FIG. 1, the other side elevational view being a mirror image thereof.

The broken lines showing the remainder of the flashlight are for illustrative purposes only and form no part of the claimed design.

**1 Claim, 3 Drawing Sheets**



OTHER PUBLICATIONS

Baker et al., U.S. Appl. No. 29/335,393, filed Apr. 15, 2009, entitled "Portion of a Flashlight".

Baker et al., U.S. Appl. No. 29/314,643, filed Apr. 15, 2009, entitled "Portion of a Flashlight".

Hesse et al., U.S. Appl. No. 29/314,639, filed Apr. 15, 2009, entitled "Portion of a Flashlight".

Hesse et al., U.S. Appl. No. 29/314,638, filed Apr. 15, 2009, entitled "Portion of a Headlamp".

Baker et al., U.S. Appl. No. 29/314,630, filed Apr. 15, 2009, entitled "Portion of a Flashlight".

"All-Purpose Flashlight", Item # 4930, Crestline Custom Imprinted Products, Summer 2008 Catalog, top right corner of p. 27, (catalog cover p. included).

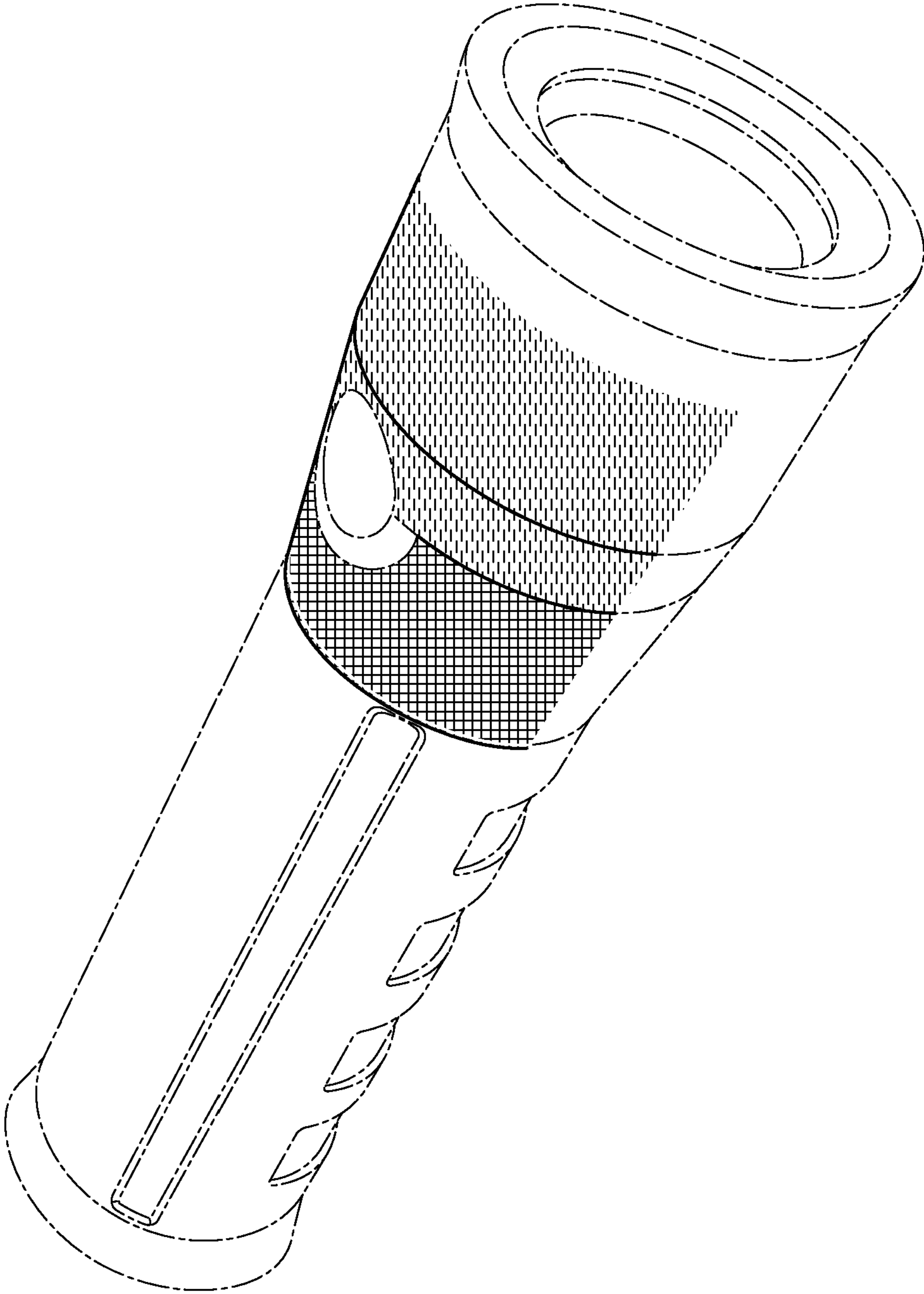
Hesse et al., U.S. Appl. No. 29/296,218, filed Oct. 16, 2007, entitled "Flashlight".

Hesse et al., U.S. Appl. No. 29/292,537, filed Oct. 16, 2007, entitled "Flashlight".

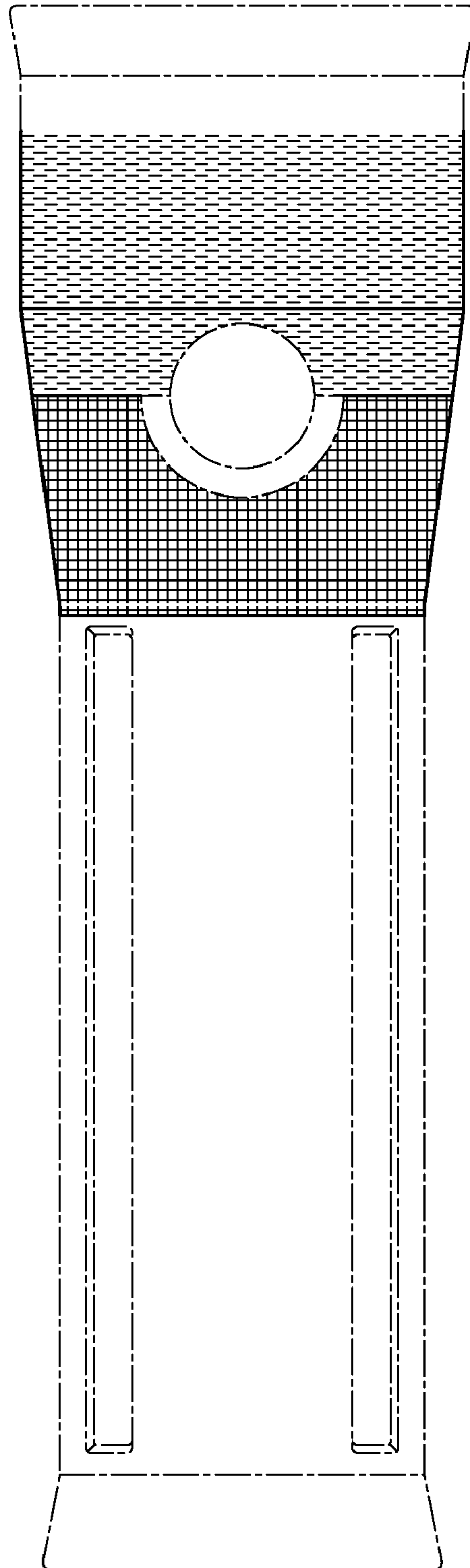
Commercial Duracell battery (photograph), prior to Oct. 16, 2006.

\* cited by examiner

**FIG. 1**



**FIG. 2**



**FIG. 3**

