



US00D630782S

(12) **United States Design Patent**
Baker et al.

(10) **Patent No.:** **US D630,782 S**
(45) **Date of Patent:** **** Jan. 11, 2011**

(54) **FLASHLIGHT**

D367,721 S 3/1996 Maglica
D368,045 S 3/1996 Akers, Sr.
D399,581 S * 10/1998 Giese et al. D26/46

(75) Inventors: **Kathleen Baker**, New Fairfield, CT (US); **Stuart A. Karten**, Venice, CA (US); **Eric W. Olson**, Los Angeles, CA (US); **Eric Gregory Schmid**, Culver City, CA (US); **Paul Trotman Kirley**, Los Angeles, CA (US); **Jonathan Abarbanel**, Los Angeles, CA (US)

(Continued)

OTHER PUBLICATIONS

(73) Assignee: **The Gillette Company**, Boston, MA (US)

Hesse et al., U.S. Appl. No. 29/336,536, filed May 5, 2009, entitled "Portion of a Flashlight".

(**) Term: **14 Years**

(Continued)

(21) Appl. No.: **29/314,630**

Primary Examiner—Charles A Rademaker
Assistant Examiner—Carissa C Fitts

(22) Filed: **Apr. 15, 2009**

(74) *Attorney, Agent, or Firm*—Fish & Richardson P.C.

(51) **LOC (9) Cl.** **26-02**
(52) **U.S. Cl.** **D26/38**
(58) **Field of Classification Search** D26/37,
D26/38, 40–50; 362/157, 158, 183–199,
362/202–208

(57) **CLAIM**

The ornamental design for a flashlight, substantially as shown and described.

See application file for complete search history.

DESCRIPTION

(56) **References Cited**

U.S. PATENT DOCUMENTS

D175,318 S *	8/1955	Schmidt	D26/45
D197,731 S *	3/1964	Ashe	D26/48
D208,660 S *	9/1967	McRoskey	D26/48
D210,408 S *	3/1968	Tesar	D26/48
D221,584 S *	8/1971	Wierzbicki	D26/45
D239,557 S *	4/1976	Nicholl	D26/48
D245,282 S *	8/1977	Brinkmann	D26/45
D256,278 S *	8/1980	Wong et al.	D26/46
D265,427 S *	7/1982	Mann	D26/44
D267,349 S *	12/1982	Asano	D26/37
D276,850 S *	12/1984	McCollum	D26/38
D278,084 S *	3/1985	Parker et al.	D26/45
D311,778 S *	10/1990	Dennis	D26/45
D353,216 S	12/1994	Sharrah et al.		
D356,875 S *	3/1995	Zelina, Jr.	D26/38
D360,043 S *	7/1995	Inukai	D26/48
D363,361 S	10/1995	Maglica		

FIG. 1 is a perspective view of the flashlight as seen from the front, left side;

FIG. 2. is a left side elevational view of the flashlight of FIG. 1, the other side elevational view being a mirror image thereof;

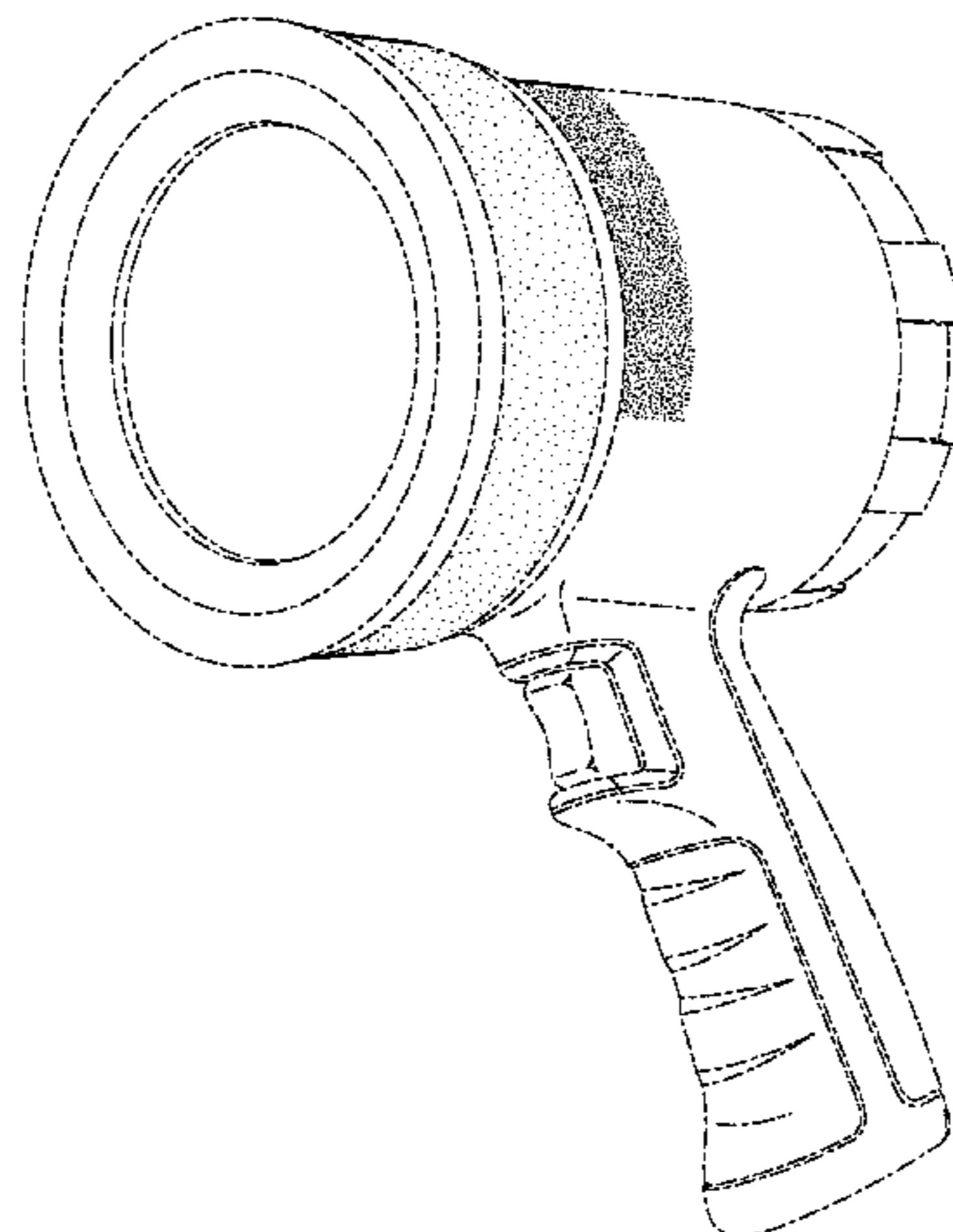
FIG. 3 is a top plan view of the flashlight of FIG. 1; and,

FIG. 4 is a bottom plan view of the flashlight of FIG. 1.

The dense stippling represents a surface having a color that contrasts with the color of the surface including the sparse stippling.

The broken lines showing the remainder of the flashlight are for illustrative purposes only and form no part of the claimed design.

1 Claim, 4 Drawing Sheets



U.S. PATENT DOCUMENTS

D429,013	S	*	8/2000	Poon	D26/45
D438,317	S	*	2/2001	Yuen	D26/48
D441,112	S	*	4/2001	Krieger et al.	D26/45
D466,637	S		12/2002	Gisser		
D479,298	S		9/2003	Parsons		
D507,066	S	*	7/2005	Smith	D26/45
D508,578	S		8/2005	Shen		
D551,366	S		9/2007	Galli		
D561,923	S		2/2008	Hsu		
D574,984	S		8/2008	Hesse et al.		
D579,594	S		10/2008	Hesse et al.		

OTHER PUBLICATIONS

Baker et al., U.S. Appl. No. 29/335,400, filed Apr. 15, 2009, entitled "Portion of a Flashlight".
Baker et al., U.S. Appl. No. 29/335,396, filed Apr. 15, 2009, entitled "Portion of a Flashlight".

Baker et al., U.S. Appl. No. 29/335,393, filed Apr. 15, 2009, entitled "Portion of a Flashlight".
Baker et al., U.S. Appl. No. 29/314,643, filed Apr. 15, 2009, entitled "Portion of a Flashlight".
Hesse et al., U.S. Appl. No. 29/314,639, filed Apr. 15, 2009, entitled "Portion of a Headlamp".
Hesse et al., U.S. Appl. No. 29/314,638, filed Apr. 15, 2009, entitled "Portion of a Headlamp".
Baker et al., U.S. Appl. No. 29/314,636, filed Apr. 15, 2009, entitled "Portion of a Flashlight".
"All-Purpose Flashlight", Item # 4930, Crestline Custom Imprinted Products, Summer 2008 Catalog, received May 19, 2008, top right corner of p. 27, (catalog cover page included).
Hesse et al., U.S. Appl. No. 29/296,218, filed Oct. 16, 2007, entitled "Flashlight".
Hesse et al., U.S. Appl. No. 29/292,537, filed Oct. 16, 2007, entitled "Flashlight".
Commercial Duracell battery (photograph), prior to Oct. 16, 2006.
* cited by examiner

FIG. 1

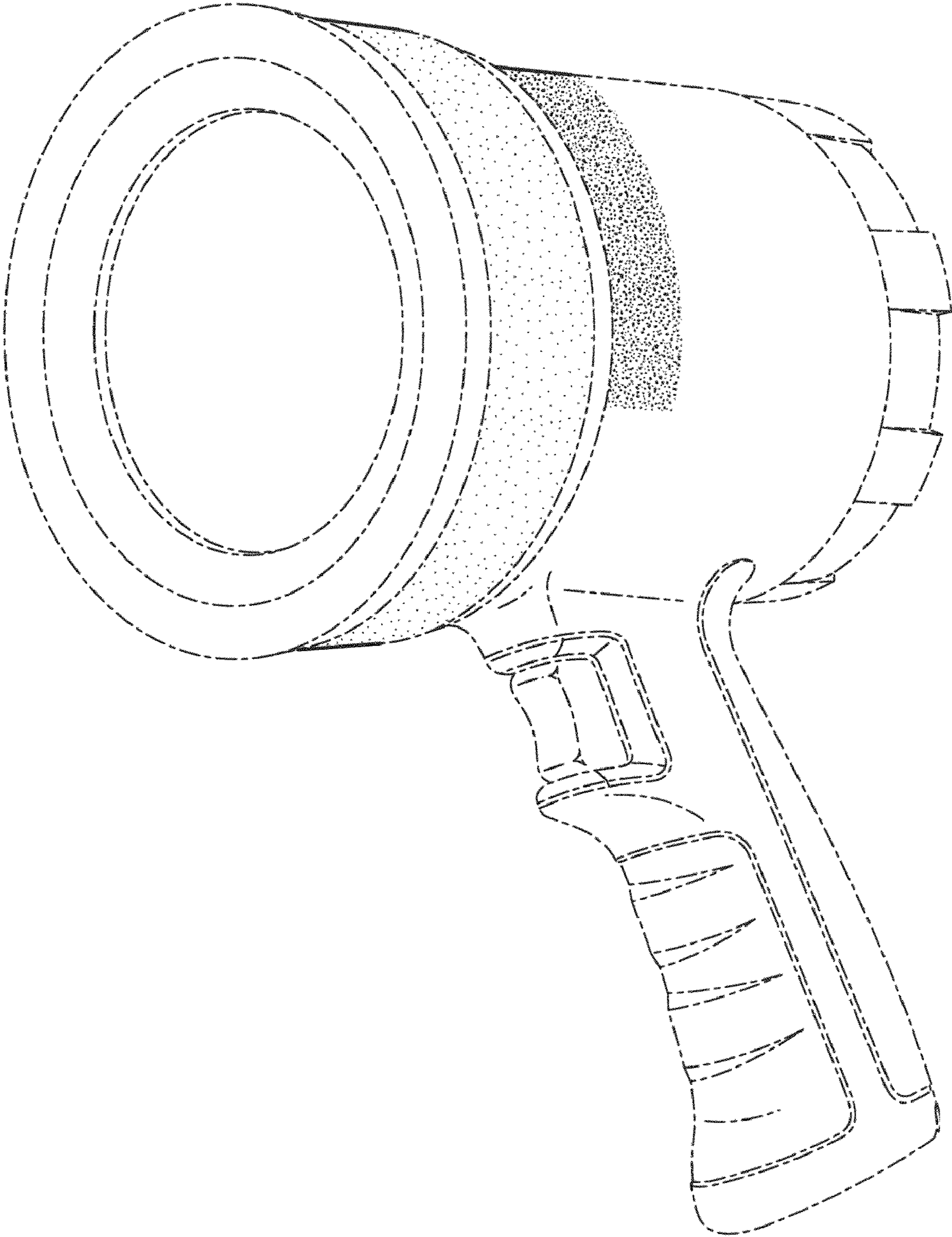


FIG. 2

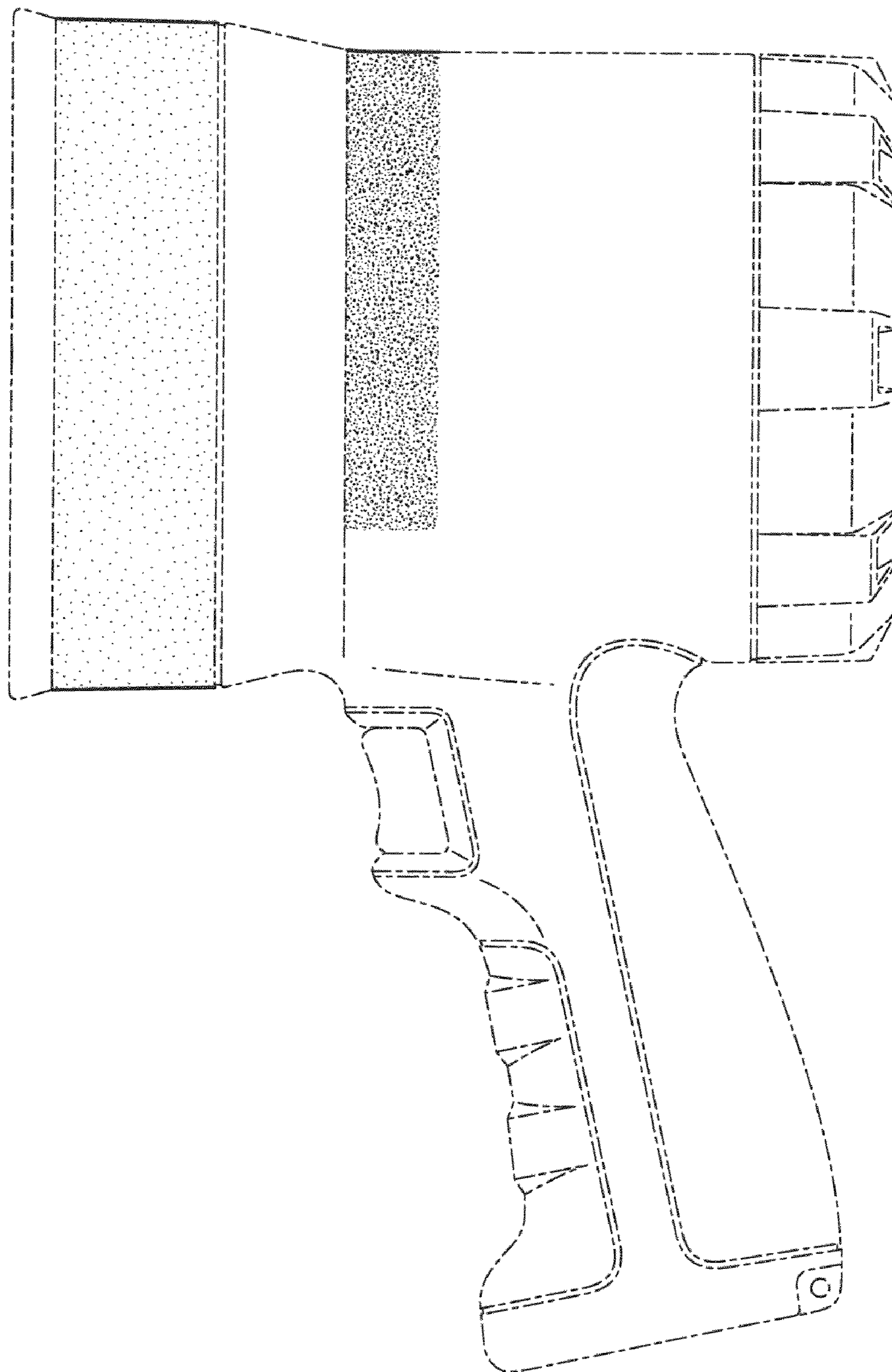


FIG. 3

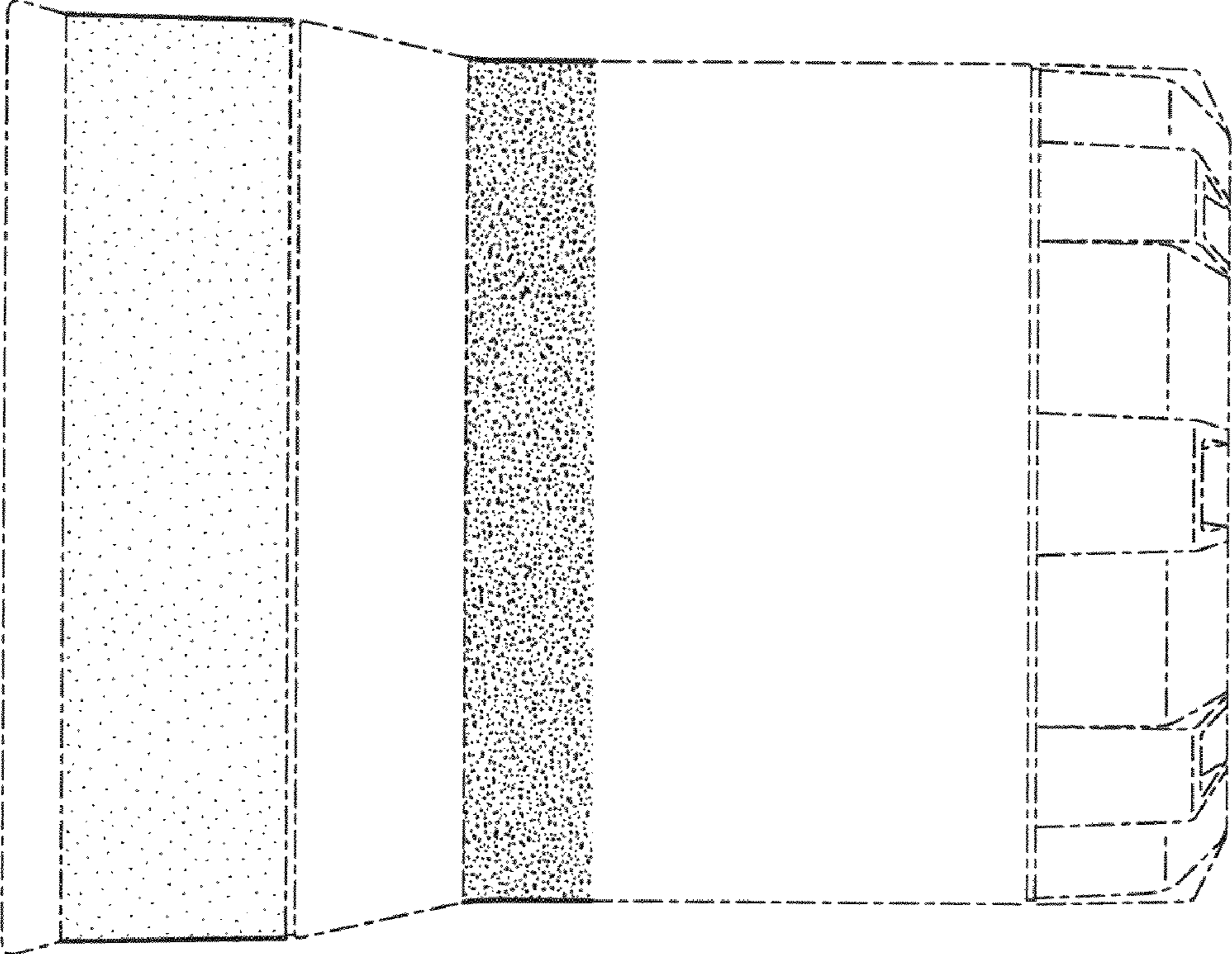


FIG. 4

