



US00D630781S

(12) **United States Design Patent**
Wu

(10) **Patent No.:** **US D630,781 S**

(45) **Date of Patent:** **** Jan. 11, 2011**

(54) **LAMP**

D614,785 S * 4/2010 Liao et al. D26/32
D625,859 S * 10/2010 Shinsel D26/32

(75) Inventor: **Hua-Chi Wu**, Tainan (TW)

* cited by examiner

(73) Assignee: **Coplus Inc.**, Tainan Hsien (TW)

Primary Examiner—Marcus A Jackson

(**) Term: **14 Years**

(74) *Attorney, Agent, or Firm*—Christie, Parker & Hale, LLP

(21) Appl. No.: **29/356,309**

(57) **CLAIM**

(22) Filed: **Feb. 23, 2010**

The ornamental design for a lamp, as shown and described.

(51) **LOC (9) Cl.** **26-06**

DESCRIPTION

(52) **U.S. Cl.** **D26/32**

FIG. 1 is a perspective view of a lamp;

(58) **Field of Classification Search** D26/1-4;
313/313, 315, 316, 317, 318, 493; 315/52,
315/53, 56, 57, 58

FIG. 2 is a front end view thereof;

FIG. 3 is a rear end view thereof;

FIG. 4 is a left side view thereof;

FIG. 5 is a right side view thereof;

FIG. 6 is a top view thereof; and,

FIG. 7 is a bottom view thereof.

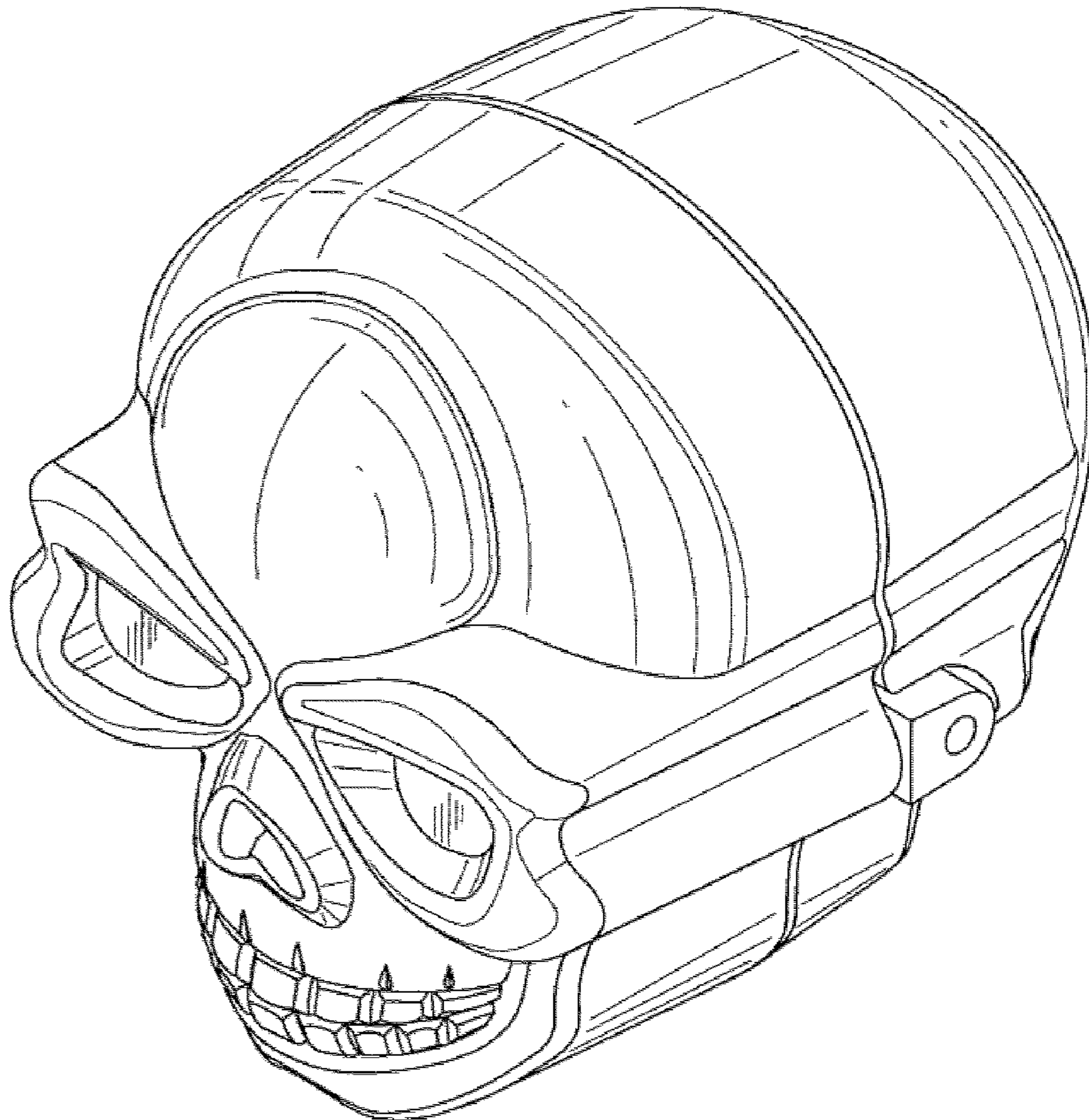
See application file for complete search history.

(56) **References Cited**

U.S. PATENT DOCUMENTS

D82,880 S * 12/1930 Nam D26/32
D552,294 S * 10/2007 Lin D26/139

1 Claim, 4 Drawing Sheets



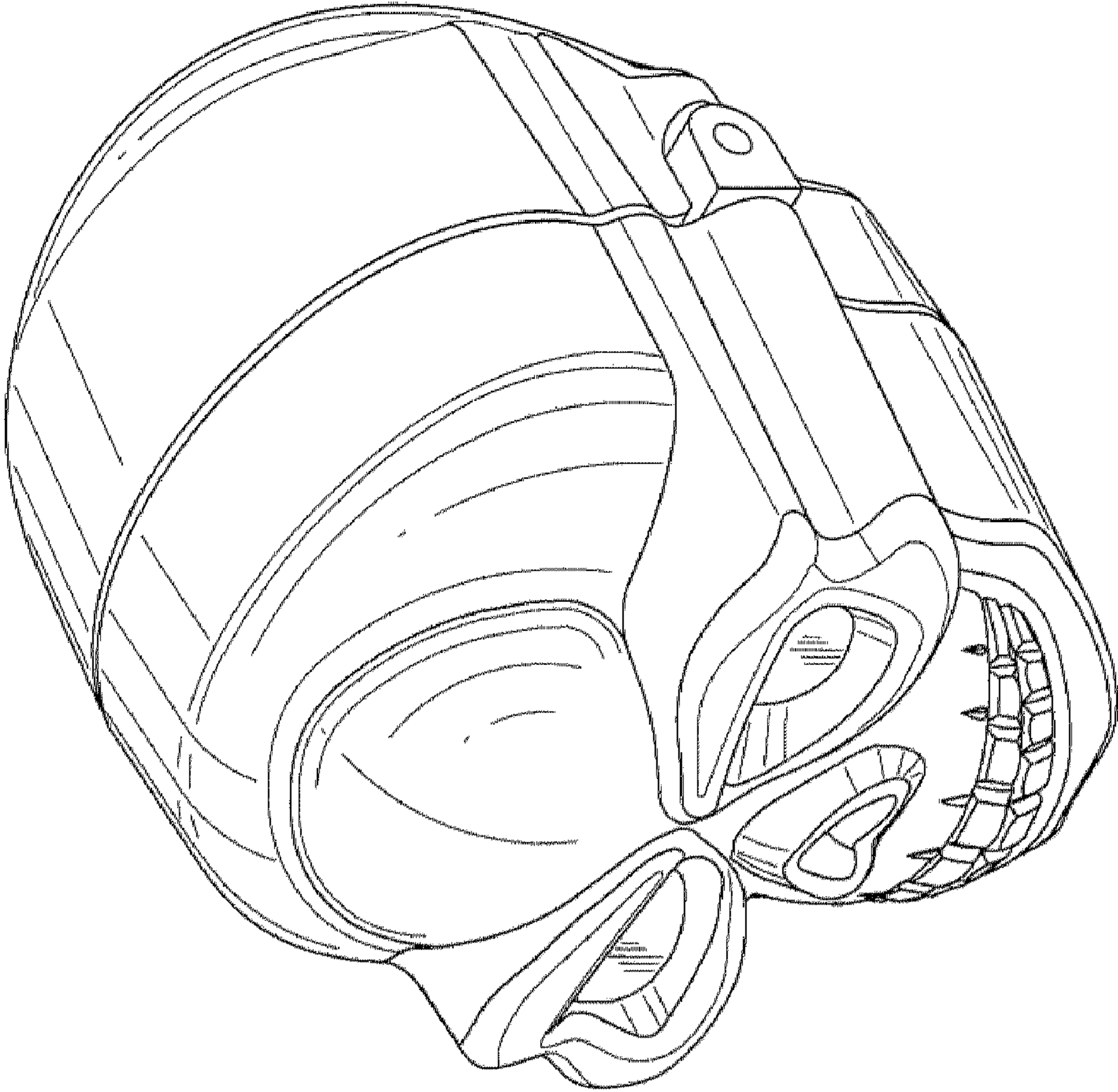


FIG. 1

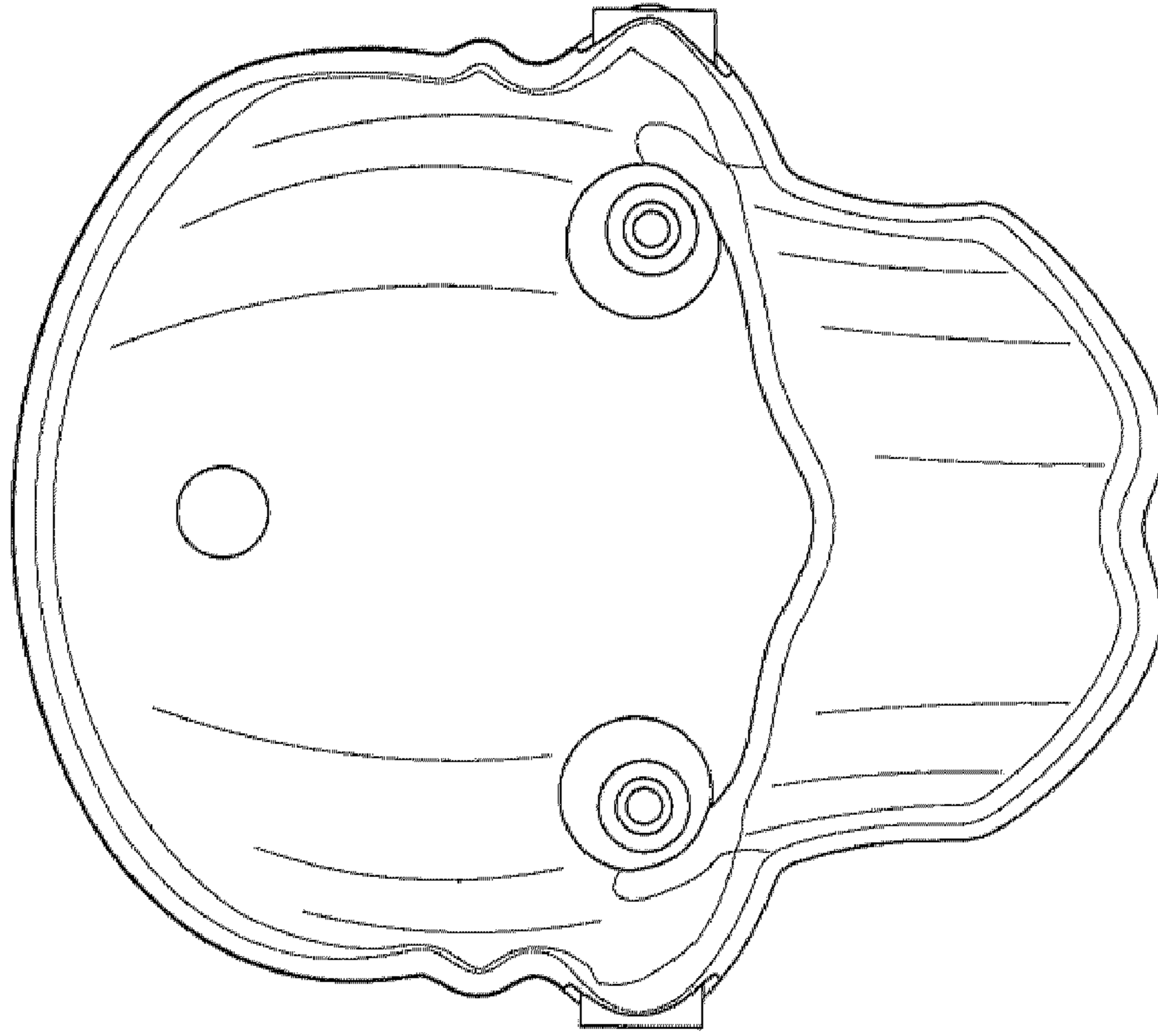


FIG. 3

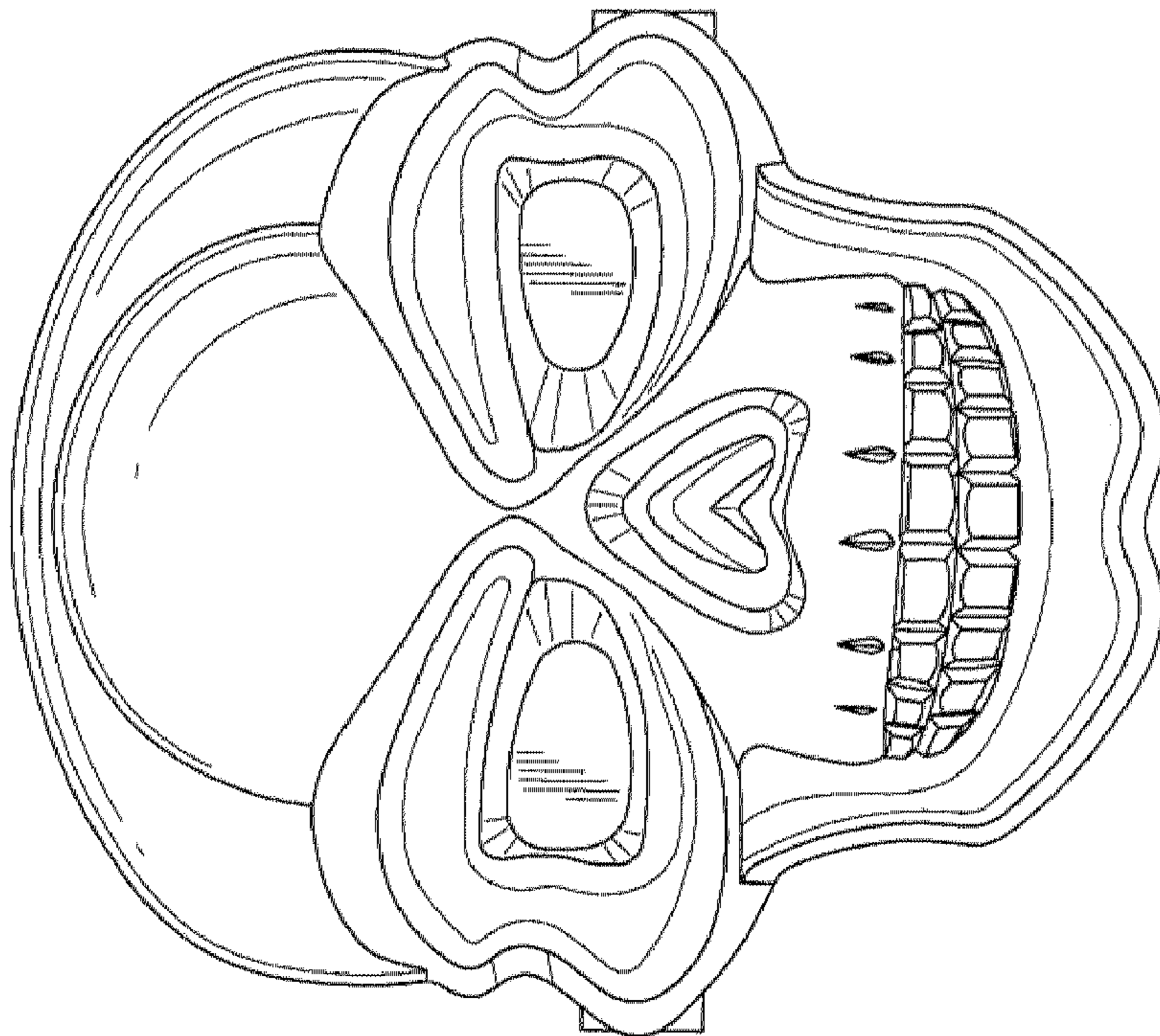


FIG. 2

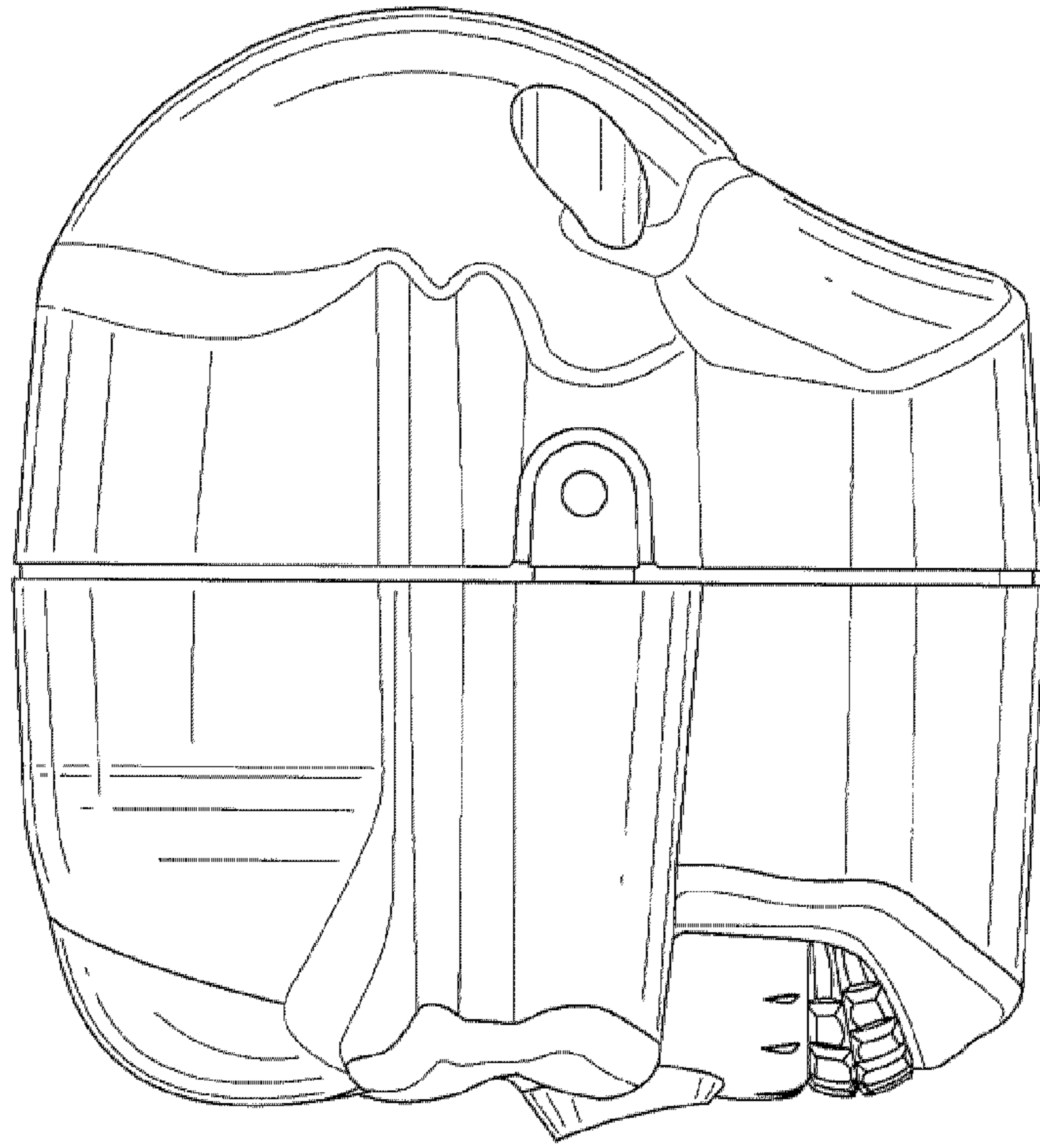


FIG. 5

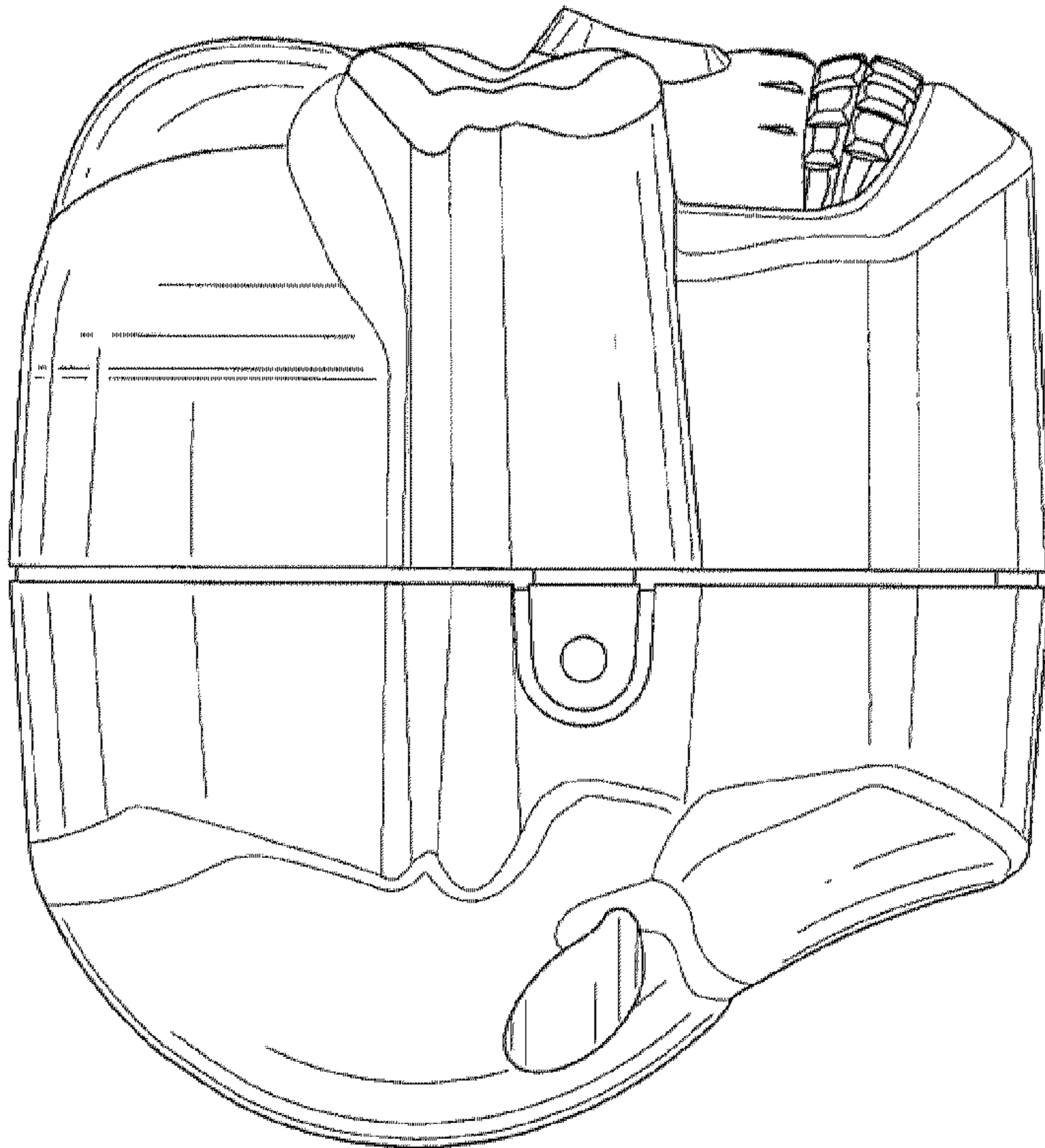


FIG. 4

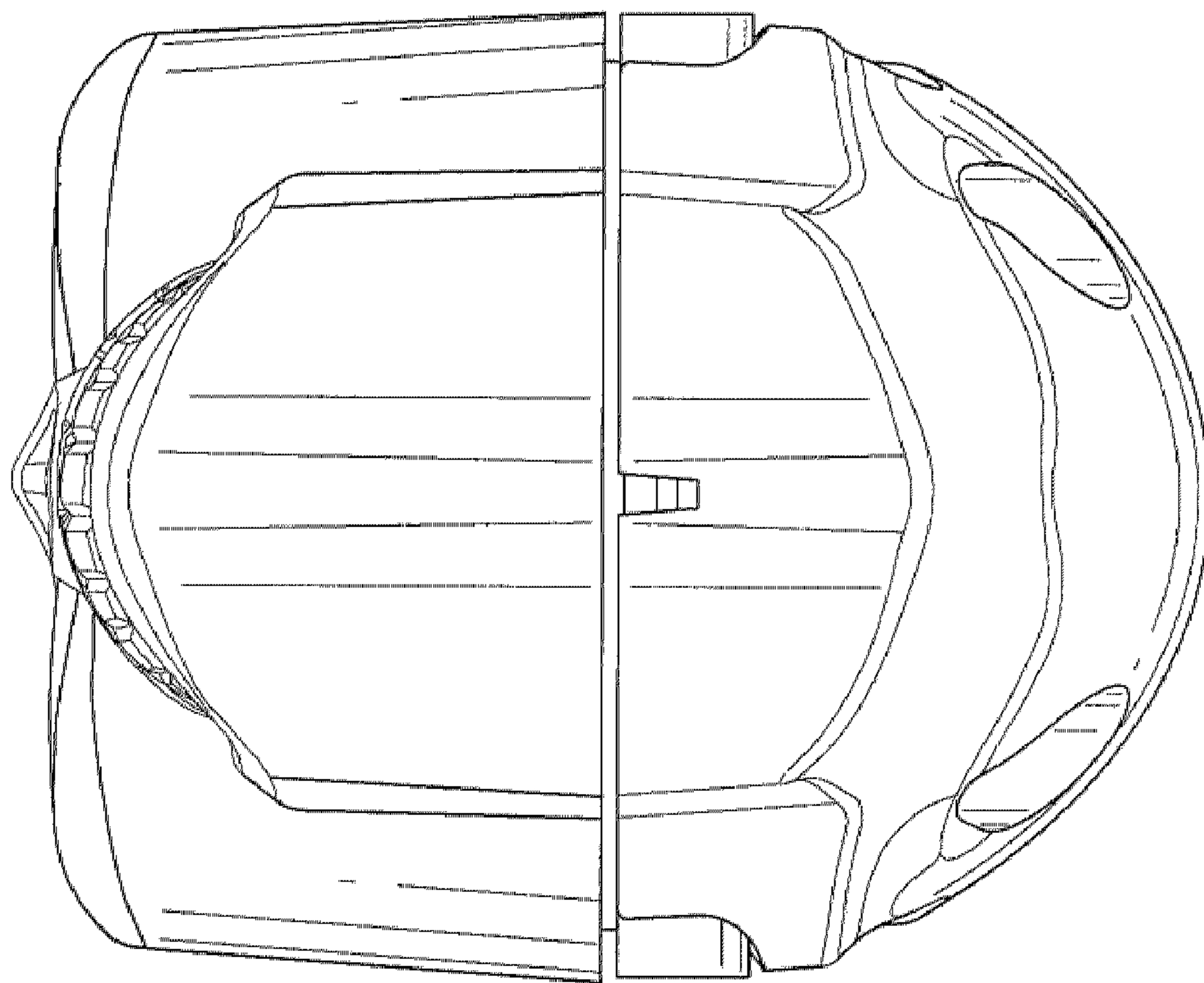


FIG. 7

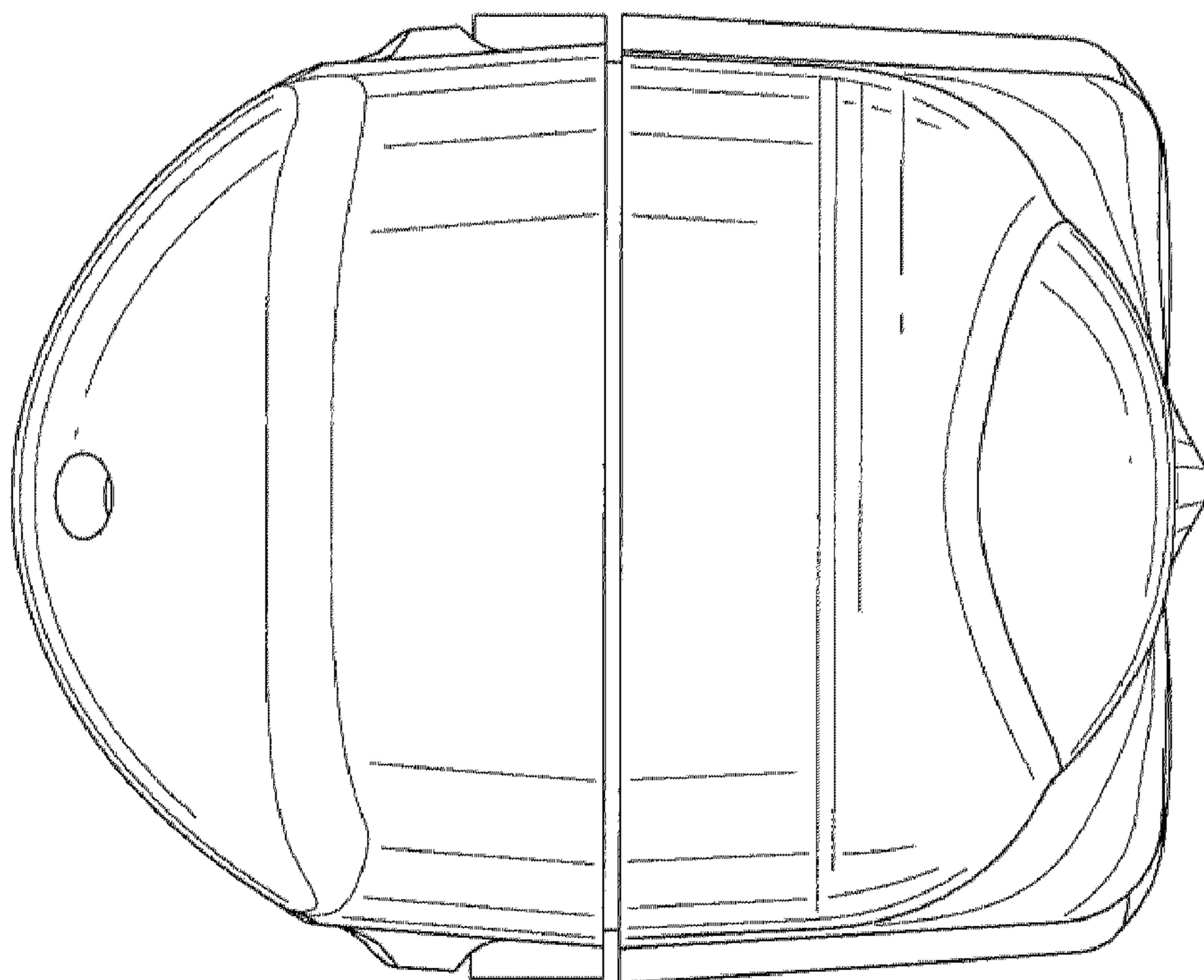


FIG. 6