

US00D630780S

(12) **United States Design Patent**
Roller et al.

(10) **Patent No.:** **US D630,780 S**
(45) **Date of Patent:** **** Jan. 11, 2011**

(54) **FRONT COMBINATION LAMP FOR AN
AUTOMOBILE**

(75) Inventors: **Scott Roller**, Newport Beach, CA (US);
Matt Sperling, Newport Beach, CA
(US)

(73) Assignee: **Toyota Jidosha Kabushiki Kaisha** (JP)

(**) Term: **14 Years**

(21) Appl. No.: **29/356,220**

(22) Filed: **Feb. 22, 2010**

(51) **LOC (9) Cl.** **26-06**

(52) **U.S. Cl.** **D26/28**

(58) **Field of Classification Search** D26/28-36;
362/459-468, 475-478, 485-487
See application file for complete search history.

(56) **References Cited**

U.S. PATENT DOCUMENTS

D536,113 S *	1/2007	Pfeiffer	D26/28
D537,180 S *	2/2007	Hsu	D26/28
D556,349 S *	11/2007	Golden et al.	D26/28

OTHER PUBLICATIONS

Volkswagen CC, Volkswagen, <http://www.Volkswagen.com>, 2008.
Acura RDX 2007, Acura, <http://www.acura.com>, 2008.

* cited by examiner

Primary Examiner—Marcus A Jackson

(74) *Attorney, Agent, or Firm*—Saidman DesignLaw Group

(57) **CLAIM**

The ornamental design for a front combination lamp for an automobile, as shown and described.

DESCRIPTION

FIG. 1 is a front perspective view of a front combination lamp for an automobile showing our new design;

FIG. 2 is a front view thereof;

FIG. 3 is a left-side view thereof;

FIG. 4 is a right-side view thereof;

FIG. 5 is a top view thereof; and,

FIG. 6 is a bottom view thereof.

1 Claim, 3 Drawing Sheets

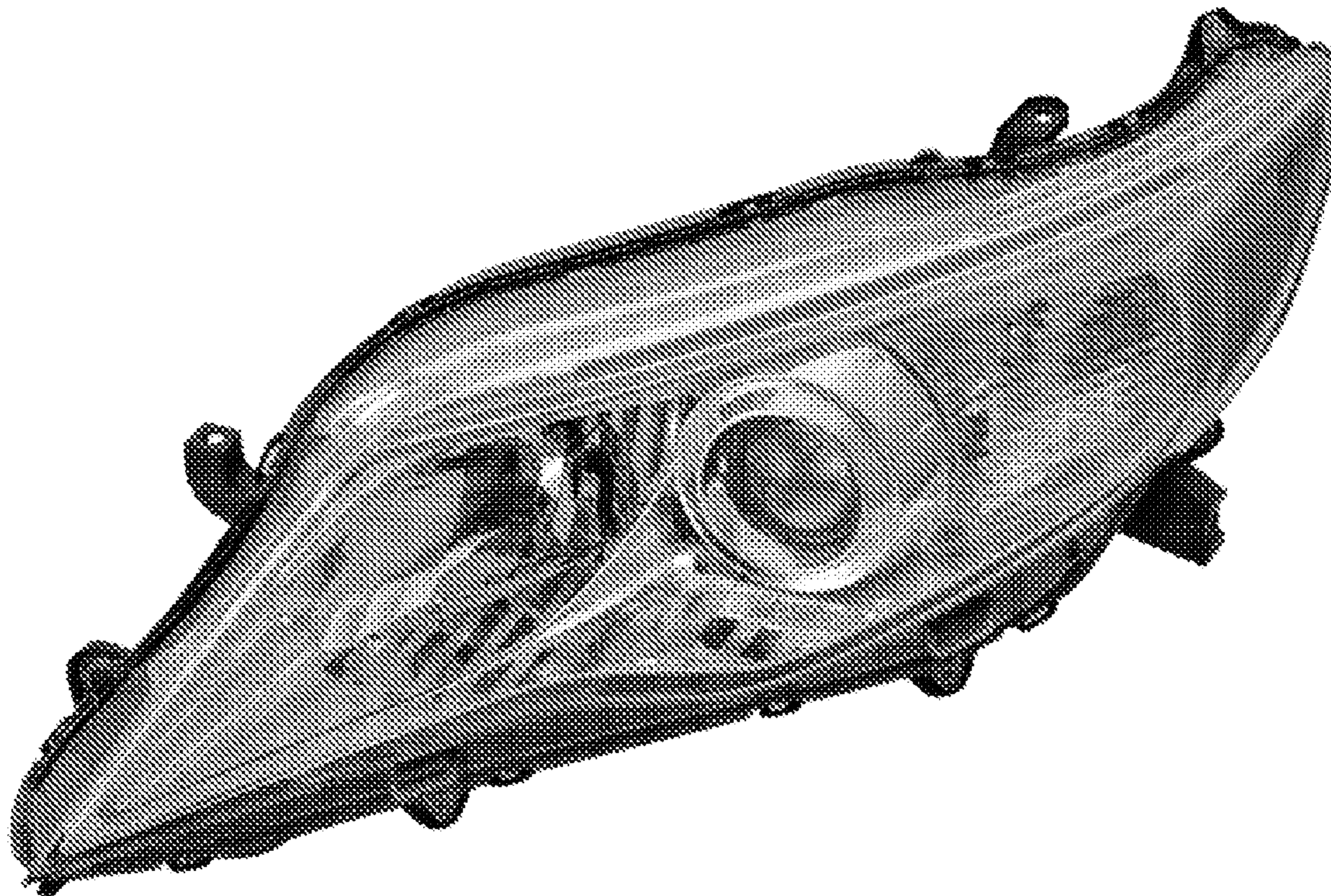


Fig. 1

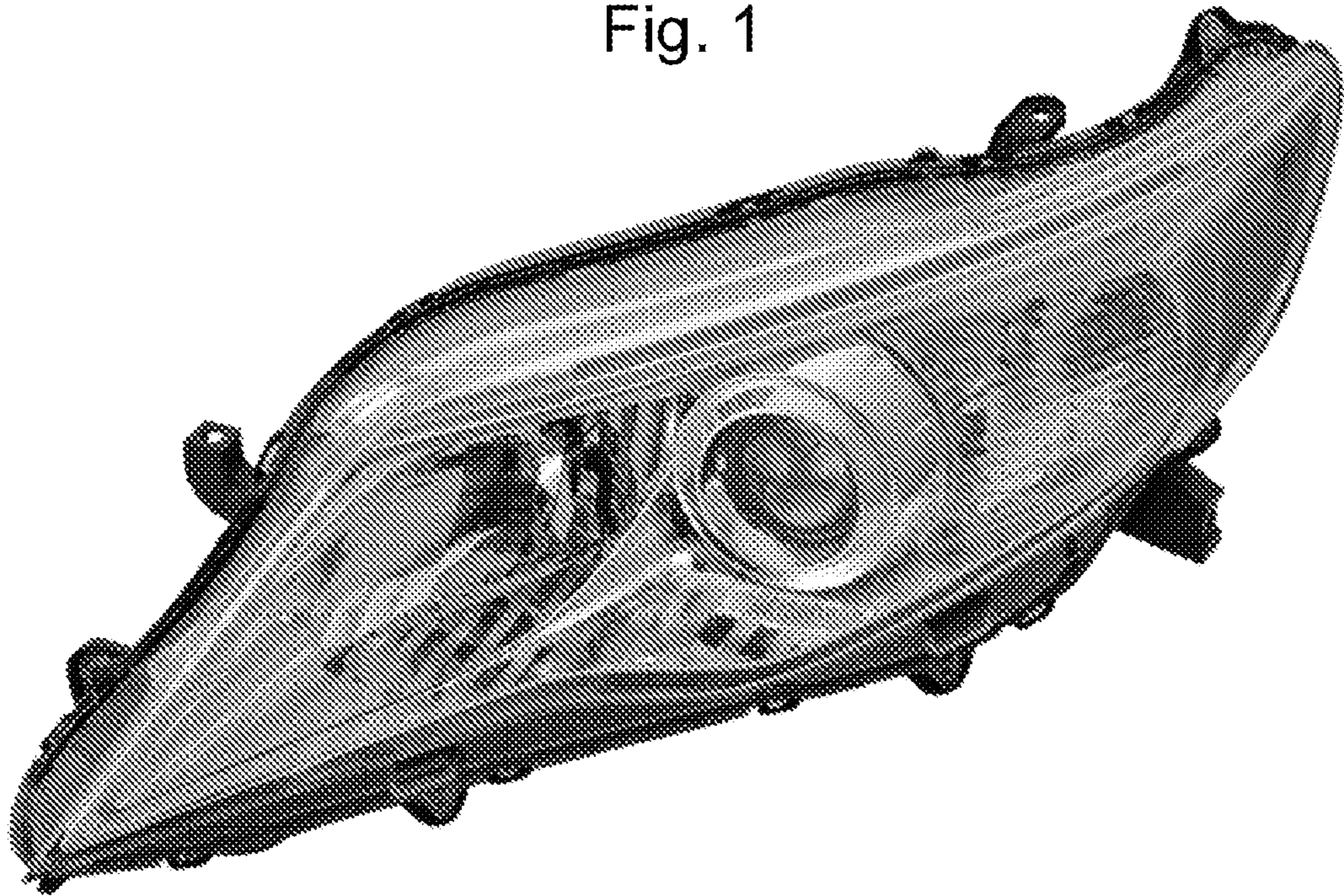


Fig. 2

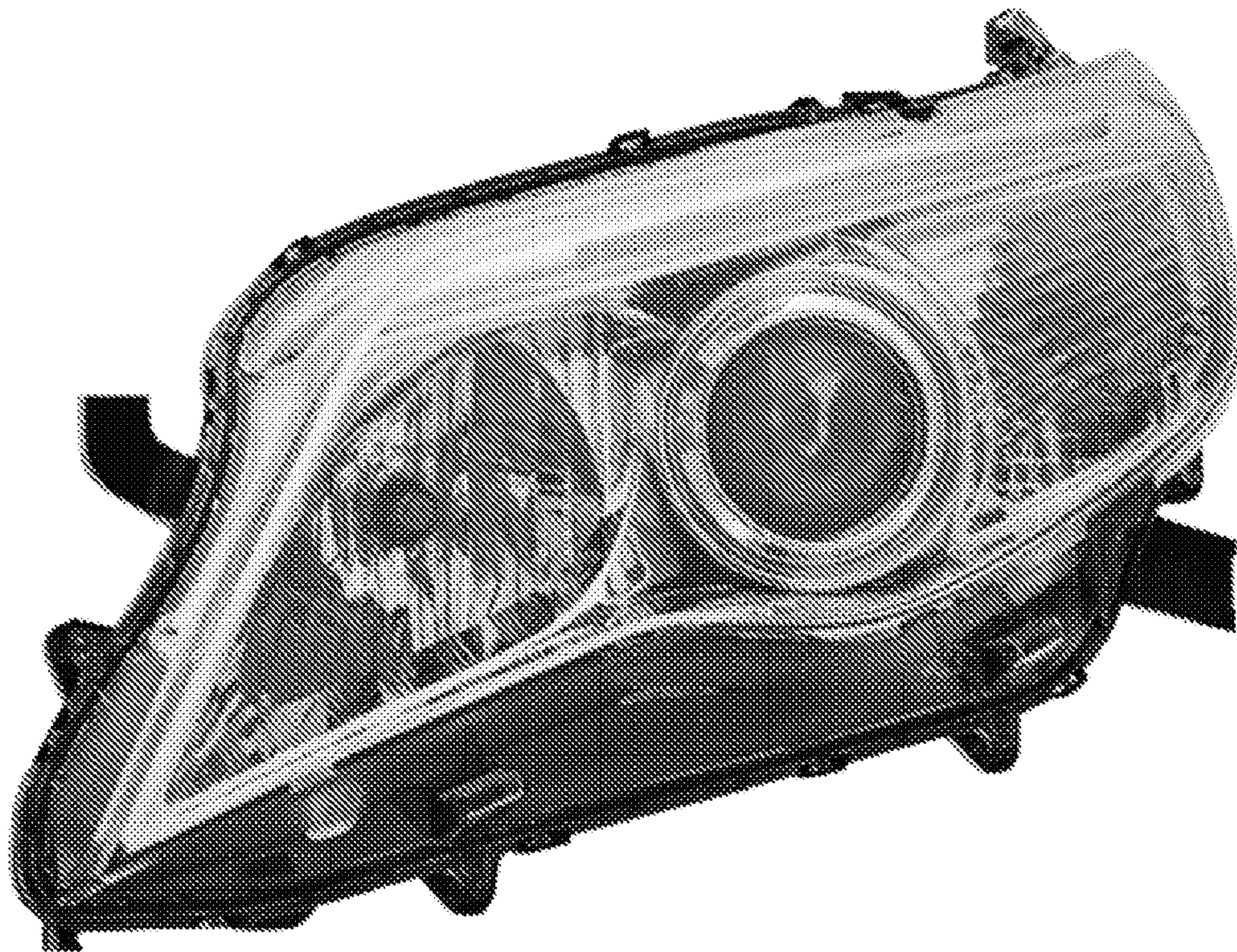


Fig. 3

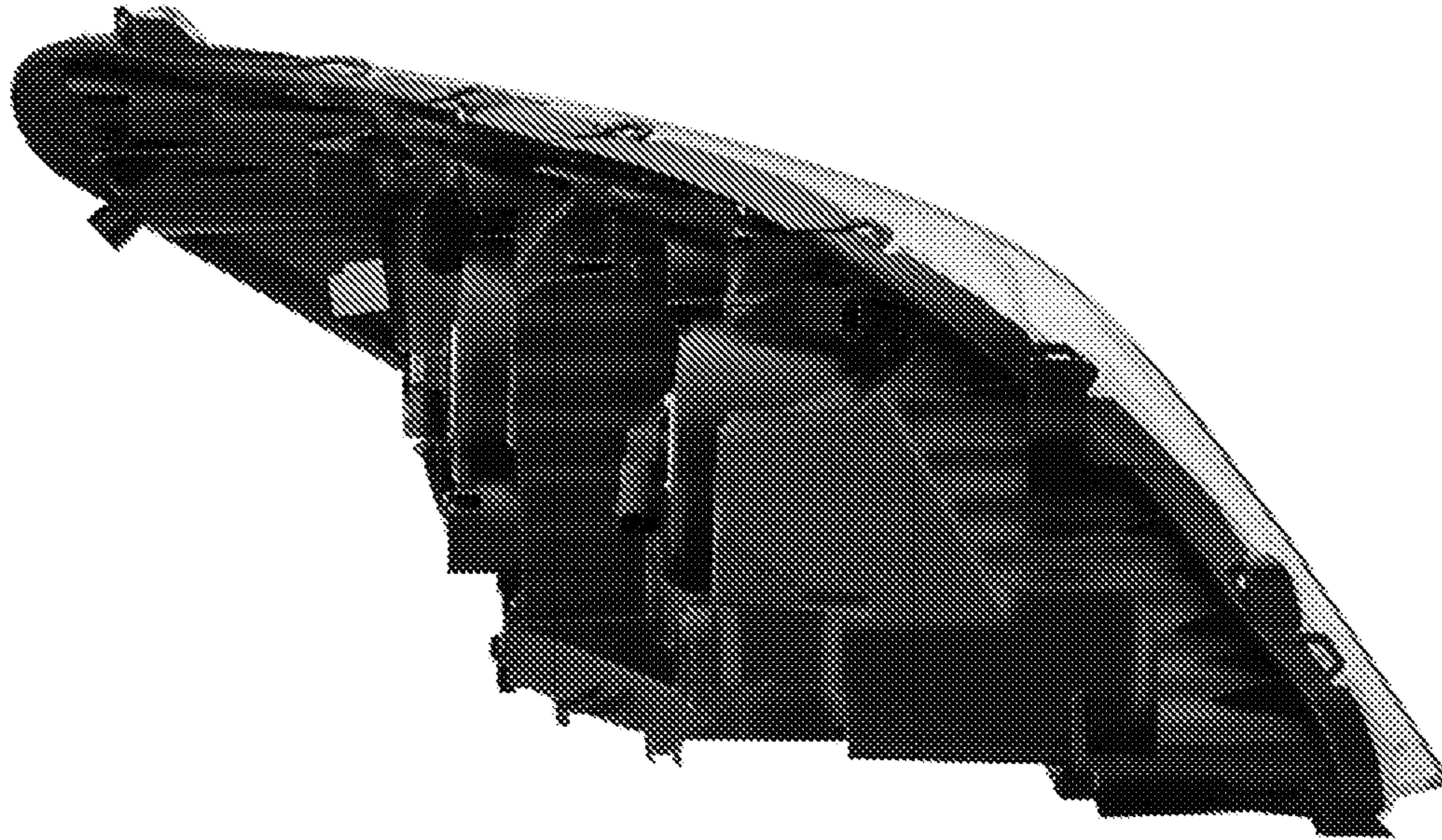


Fig. 4

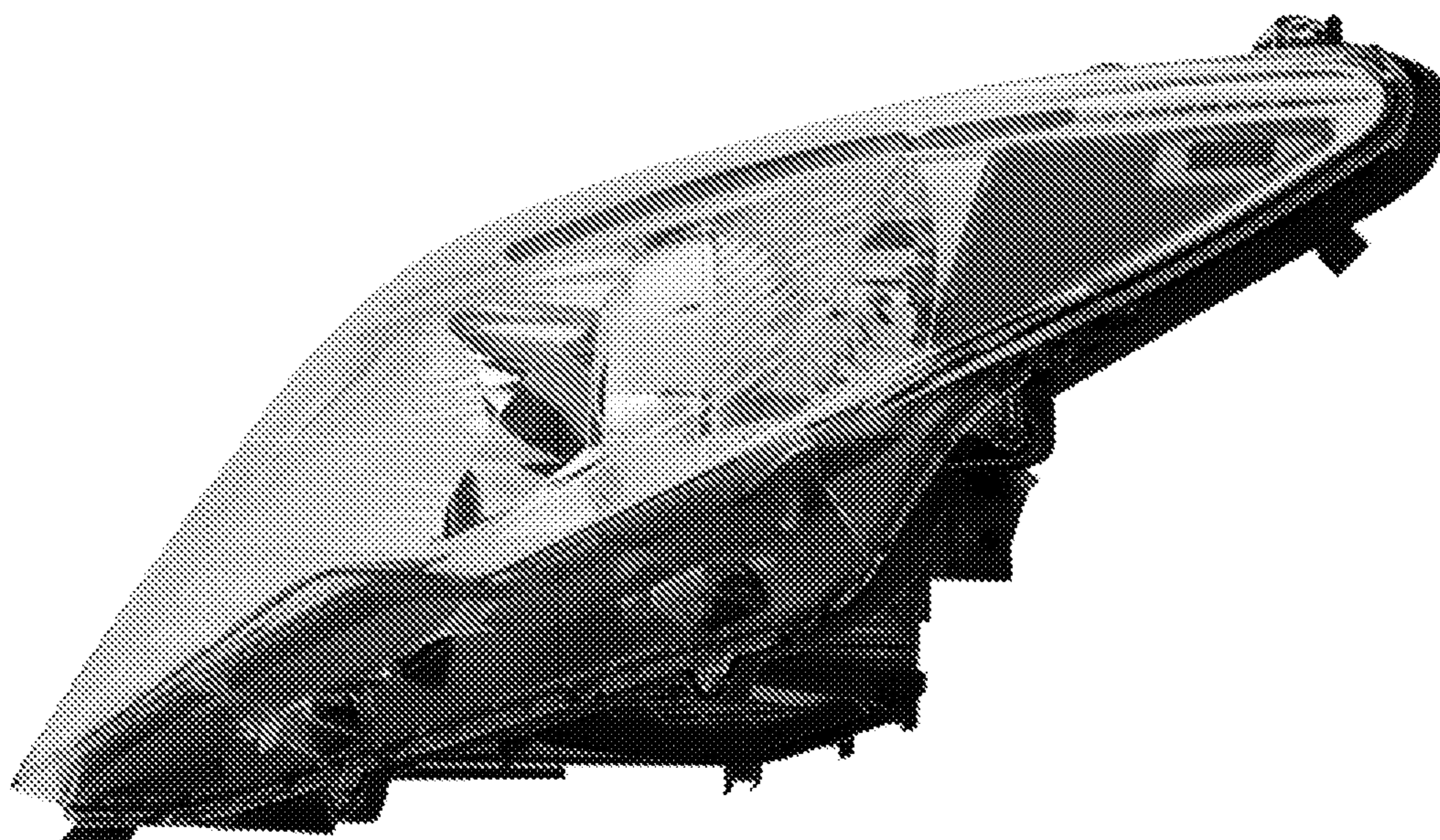


Fig. 5

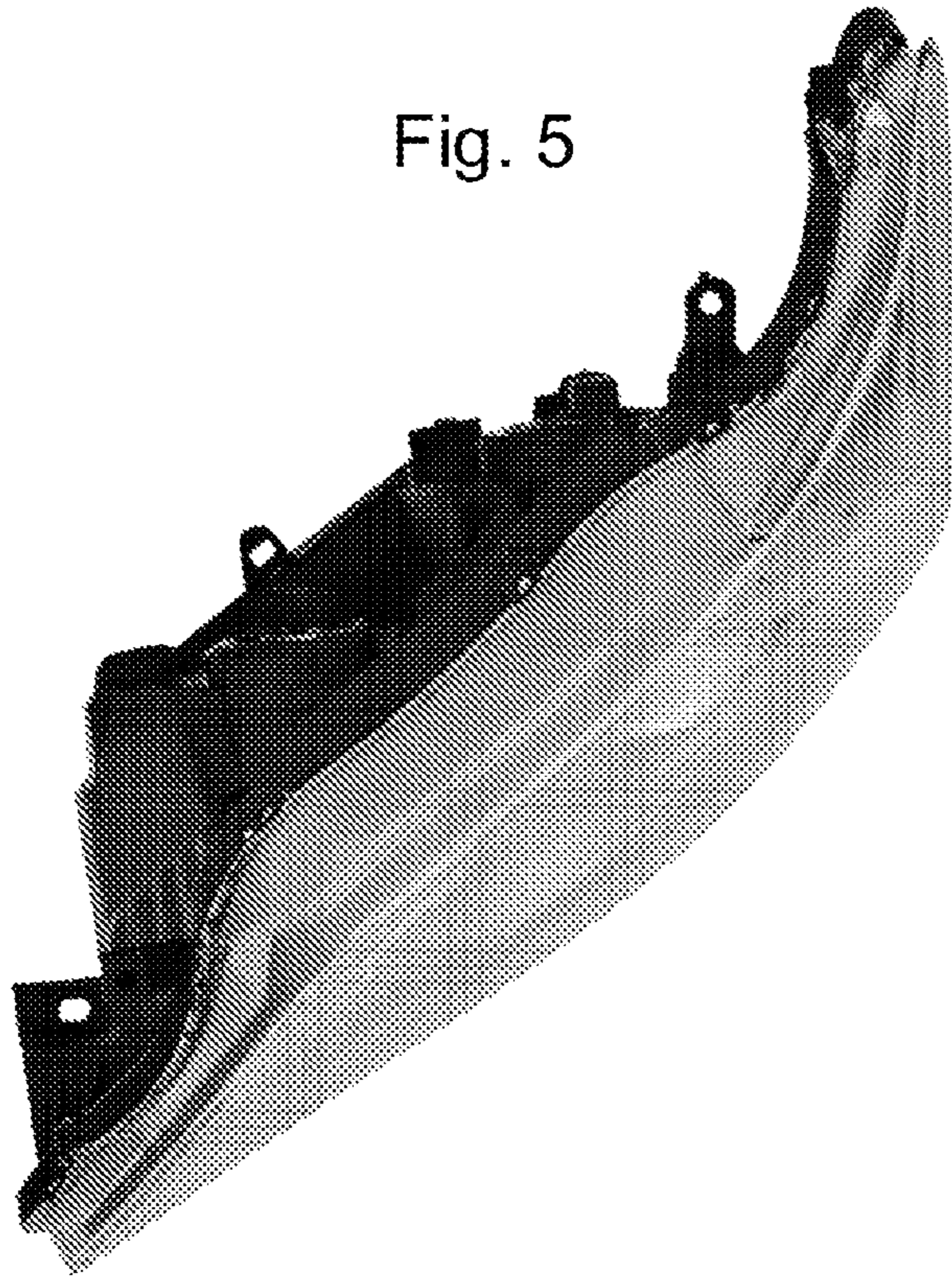


Fig. 6

