



US00D630777S

(12) **United States Design Patent**
Lee

(10) **Patent No.:** **US D630,777 S**
(45) **Date of Patent:** **** Jan. 11, 2011**

(54) **LIGHT-EMITTING DIODE (LED)**
(75) Inventor: **Joo Seok Lee**, Gyeonggi-do (KR)
(73) Assignee: **LG Innotek Co., Ltd.**, Seoul (KR)
(**) Term: **14 Years**

D607,853 S * 1/2010 Kong D13/180
D608,308 S * 1/2010 Hsieh D13/180
D610,558 S * 2/2010 Hsieh D13/180
D611,008 S * 3/2010 Hsieh D13/180
D611,010 S * 3/2010 Hsieh D13/180
D612,346 S * 3/2010 Hsieh D13/180
D615,935 S * 5/2010 An et al. D13/180
D622,231 S * 8/2010 Sung D13/180

(21) Appl. No.: **29/352,571**
(22) Filed: **Dec. 22, 2009**

FOREIGN PATENT DOCUMENTS

(30) **Foreign Application Priority Data**
Jul. 13, 2009 (KR) 30-2009-0030793

EM 001095343-0001 * 4/2009
EM 001095343-0002 * 4/2009

* cited by examiner

(51) **LOC (9) Cl.** **26-05**
(52) **U.S. Cl.** **D26/24; D13/180**
(58) **Field of Classification Search** D26/24,
D26/26, 37, 46, 72, 85, 87, 88, 89, 93, 104,
D26/113, 118, 1, 2, 3, 28, 38, 60; D10/111,
D10/114; D23/366, 367, 368; D13/107,
D13/108, 180, 182; 362/640, 641, 642, 643,
362/644, 652, 653, 655, 657, 249.02, 311.02,
362/800, 806, 555, 567, 116, 122, 123, 145,
362/147, 157, 183, 194, 195, 200
See application file for complete search history.

Primary Examiner—Angela J Lee

(74) *Attorney, Agent, or Firm*—Birch, Stewart, Kolasch & Birch, LLP

(56) **References Cited**

U.S. PATENT DOCUMENTS

D312,842 S * 12/1990 Younger et al. D20/42
D491,686 S * 6/2004 Citterio D26/72
D515,044 S * 2/2006 Ishida D13/180
D580,086 S * 11/2008 Condon et al. D26/72
D600,584 S * 9/2009 Lyons D10/114

(57) **CLAIM**

The ornamental design for a light-emitting diode (LED), as shown.

DESCRIPTION

FIG. 1 is a top, front, perspective view of a light-emitting diode (LED) showing my new design;

FIG. 2 is a front view thereof;

FIG. 3 is a rear view thereof;

FIG. 4 is a left side view thereof;

FIG. 5 is a right side view thereof;

FIG. 6 is a top plan view thereof; and,

FIG. 7 is a bottom plan view thereof.

1 Claim, 3 Drawing Sheets

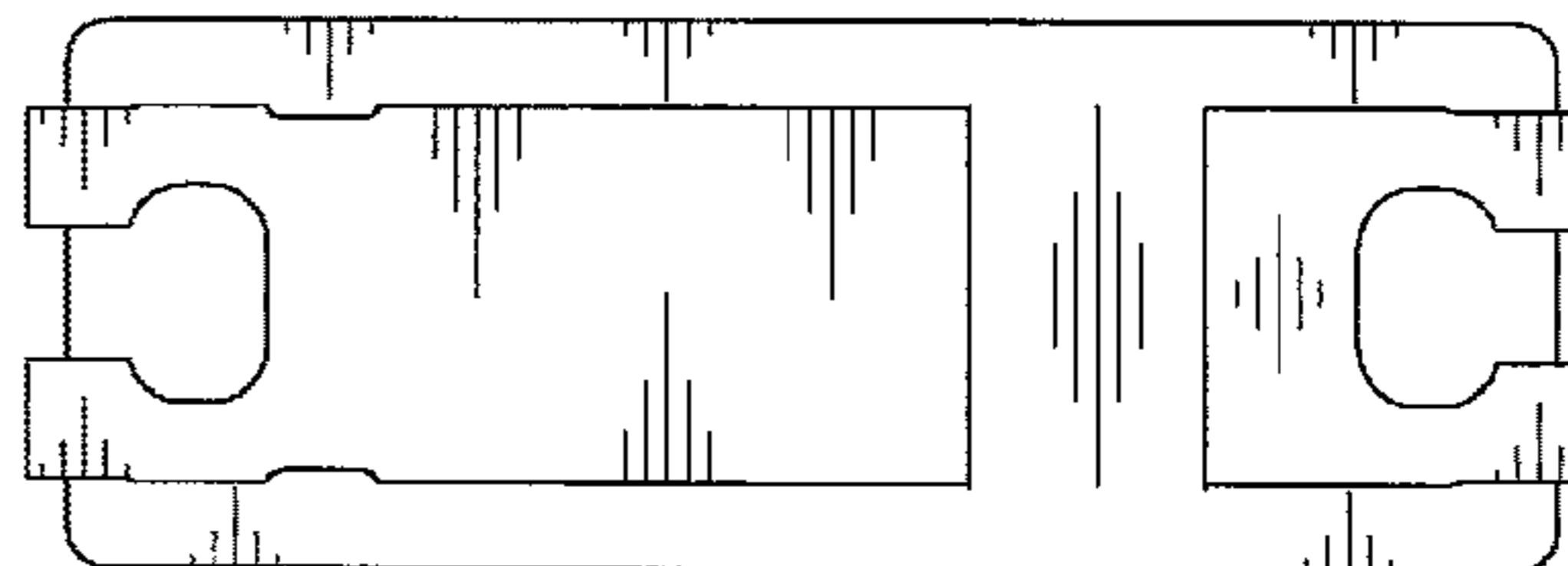
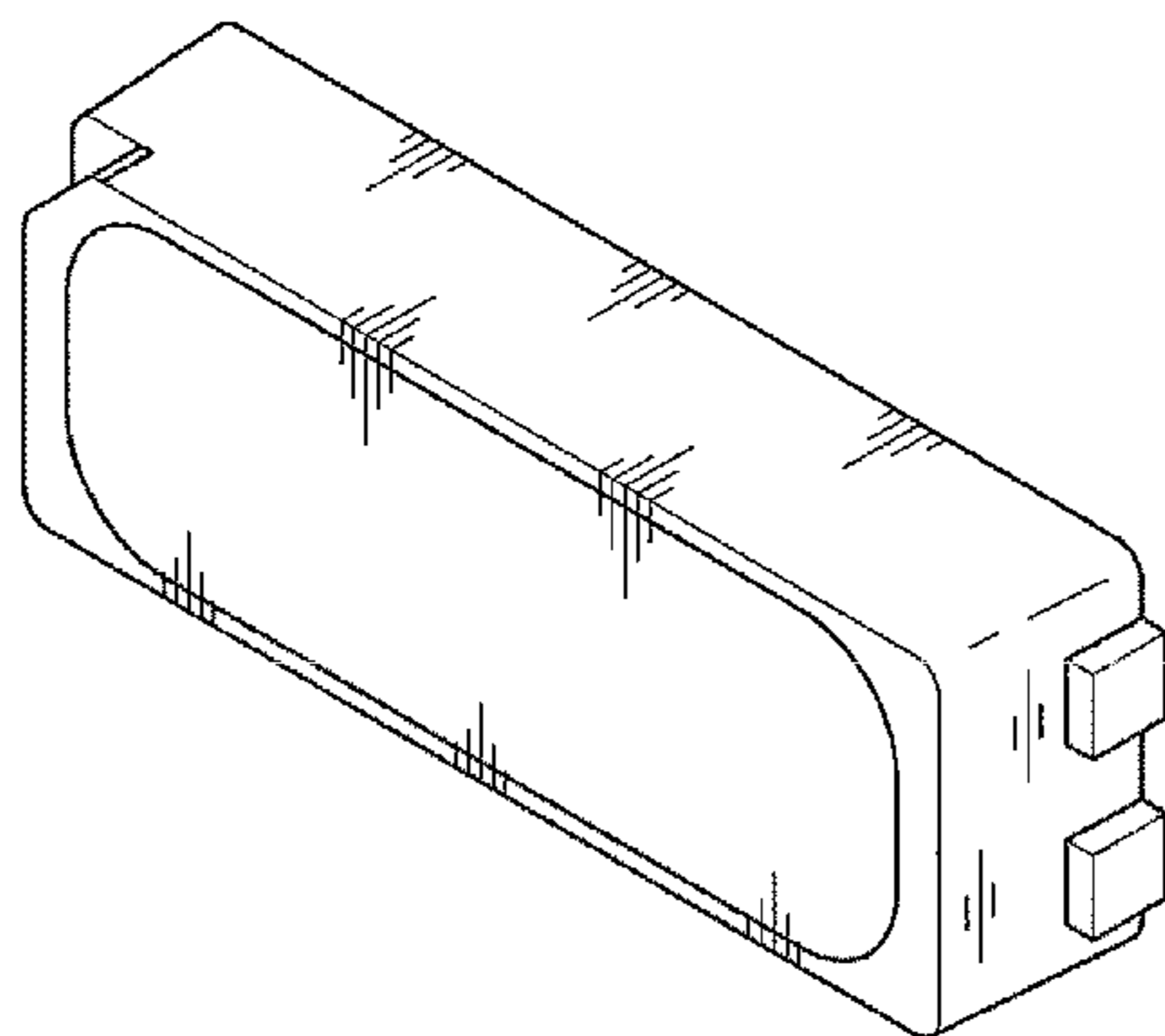


FIG. 1

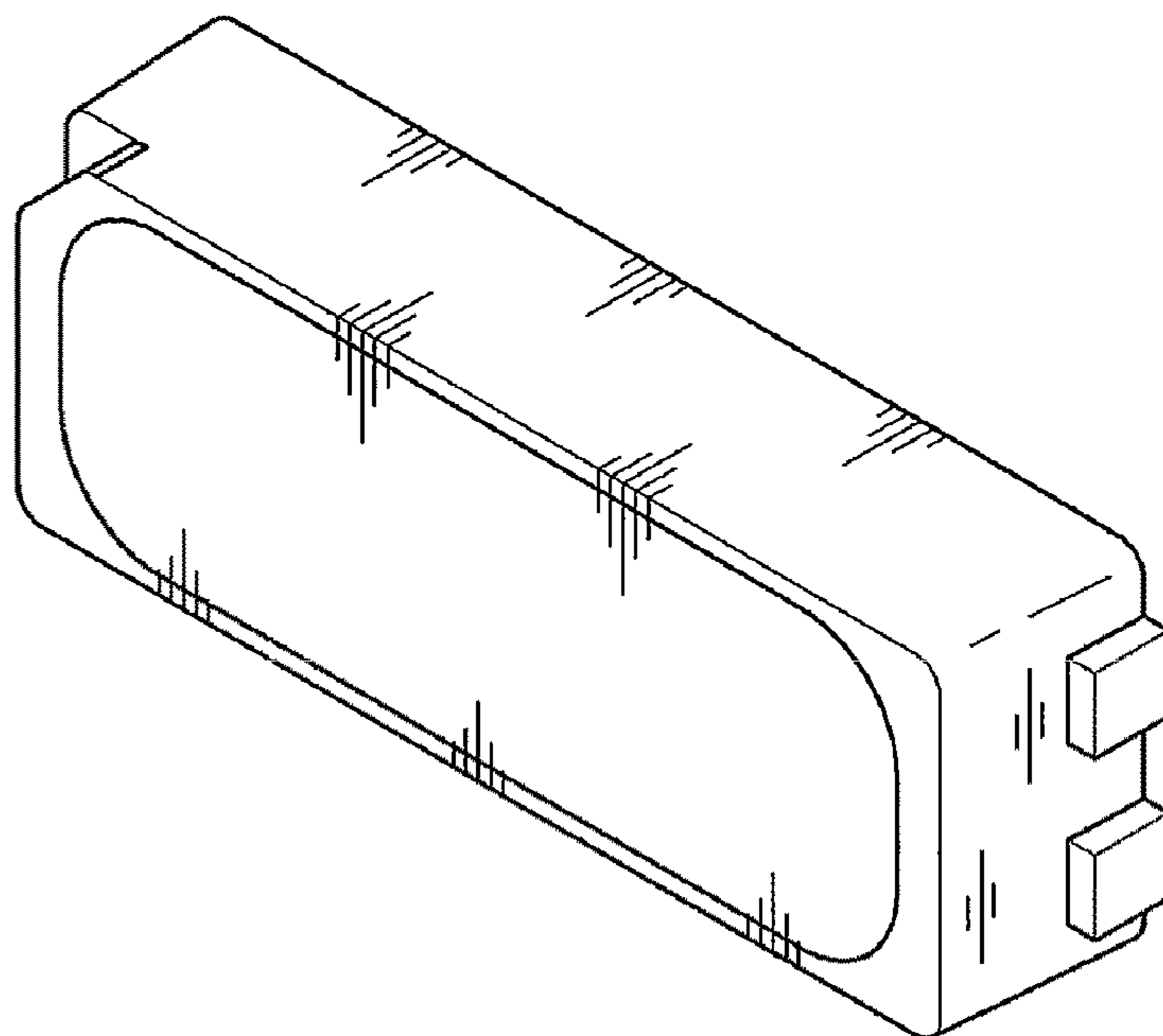


FIG. 2

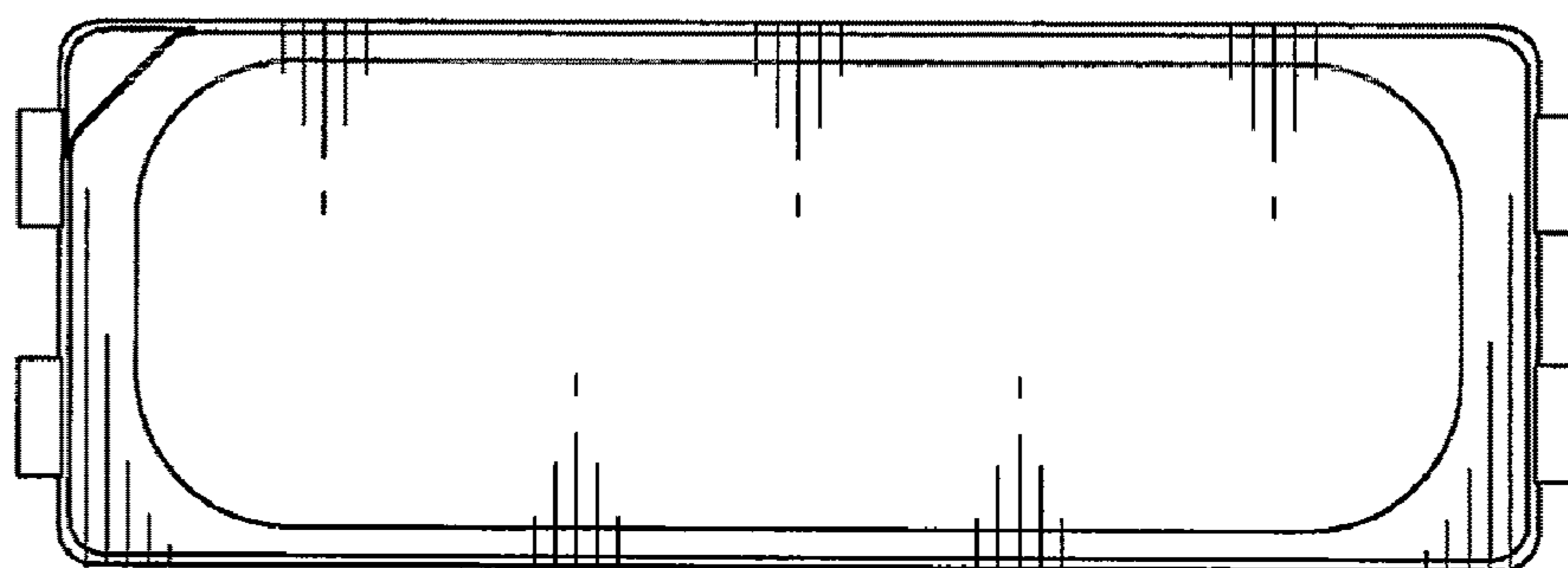


FIG. 3

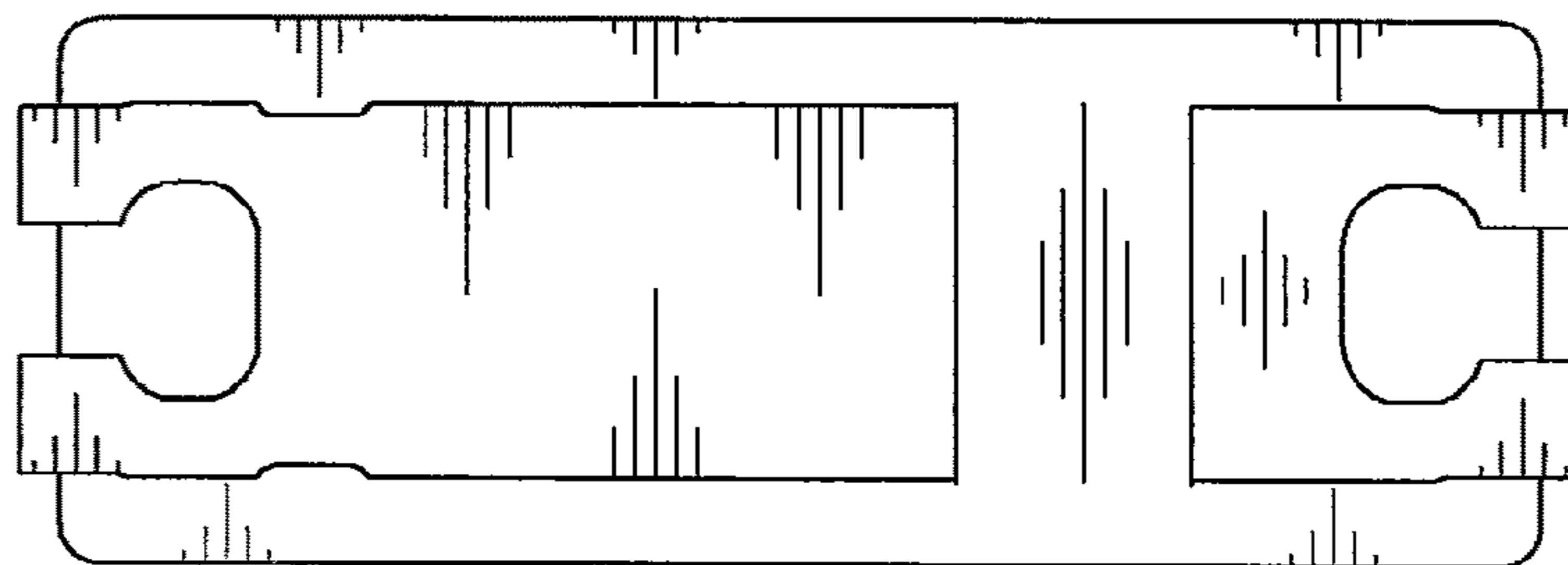


FIG. 4

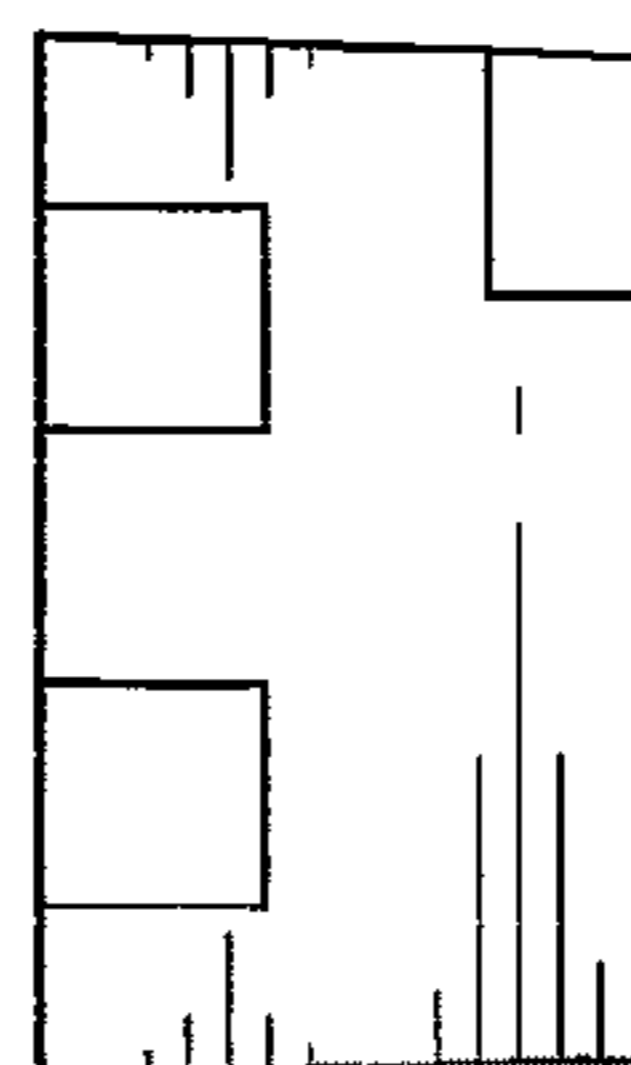


FIG. 5



FIG. 6

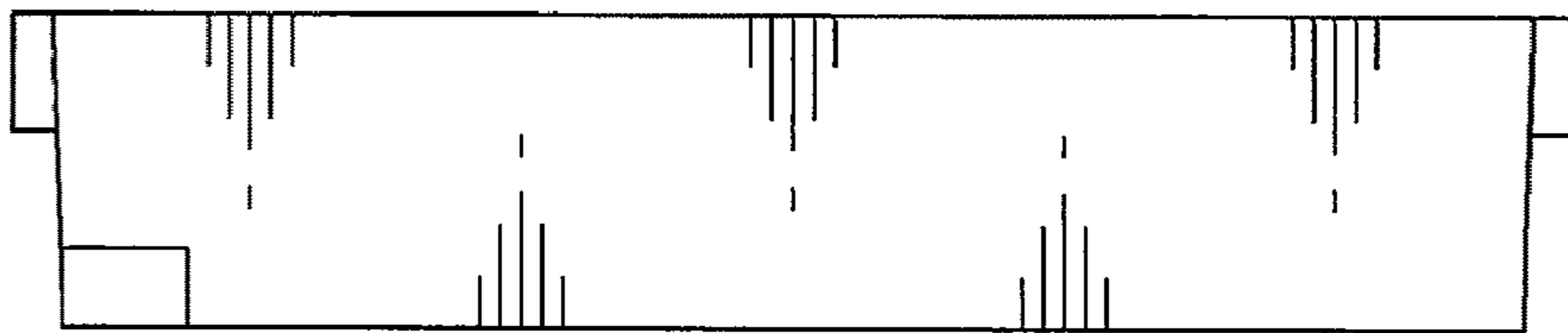


FIG. 7

