

US00D630775S

(12) **United States Design Patent**  
**Pan**

(10) **Patent No.:** **US D630,775 S**

(45) **Date of Patent:** **\*\* Jan. 11, 2011**

(54) **LIGHT EMITTING DIODE**

(75) Inventor: **I-Hsin Pan**, Taipei County (TW)

(73) Assignee: **Ledion Lighting Inc.**, Taipei (TW)

(\*\*) Term: **14 Years**

(21) Appl. No.: **29/359,856**

(22) Filed: **Apr. 16, 2010**

(51) **LOC (9) Cl.** ..... **26-04**

(52) **U.S. Cl.** ..... **D26/2**

(58) **Field of Classification Search** ..... D26/1-4;  
313/313, 315, 316, 317, 318, 493; 315/52,  
315/53, 56, 57, 58

See application file for complete search history.

(56) **References Cited**

**U.S. PATENT DOCUMENTS**

|              |        |              |       |       |
|--------------|--------|--------------|-------|-------|
| D528,227 S * | 9/2006 | Chou et al.  | ..... | D26/2 |
| D538,951 S * | 3/2007 | Maxik et al. | ..... | D26/2 |
| D542,425 S * | 5/2007 | Wang         | ..... | D26/2 |
| D542,943 S * | 5/2007 | Wang         | ..... | D26/2 |
| D560,286 S * | 1/2008 | Maxik et al. | ..... | D26/2 |
| D570,504 S * | 6/2008 | Maxik et al. | ..... | D26/2 |

|              |         |             |       |       |
|--------------|---------|-------------|-------|-------|
| D582,578 S * | 12/2008 | Tsai et al. | ..... | D26/2 |
| D601,279 S * | 9/2009  | Ou et al.   | ..... | D26/2 |
| D607,586 S * | 1/2010  | Ko          | ..... | D26/2 |
| D610,722 S * | 2/2010  | Bi          | ..... | D26/2 |

\* cited by examiner

*Primary Examiner*—Marcus A Jackson

(74) *Attorney, Agent, or Firm*—CKC & Partners Co., Ltd.

(57) **CLAIM**

The ornamental design for a light emitting diode, as shown.

**DESCRIPTION**

FIG. 1 is a perspective view of a light emitting diode showing my new design;

FIG. 2 is a front view thereof;

FIG. 3 is a rear view thereof;

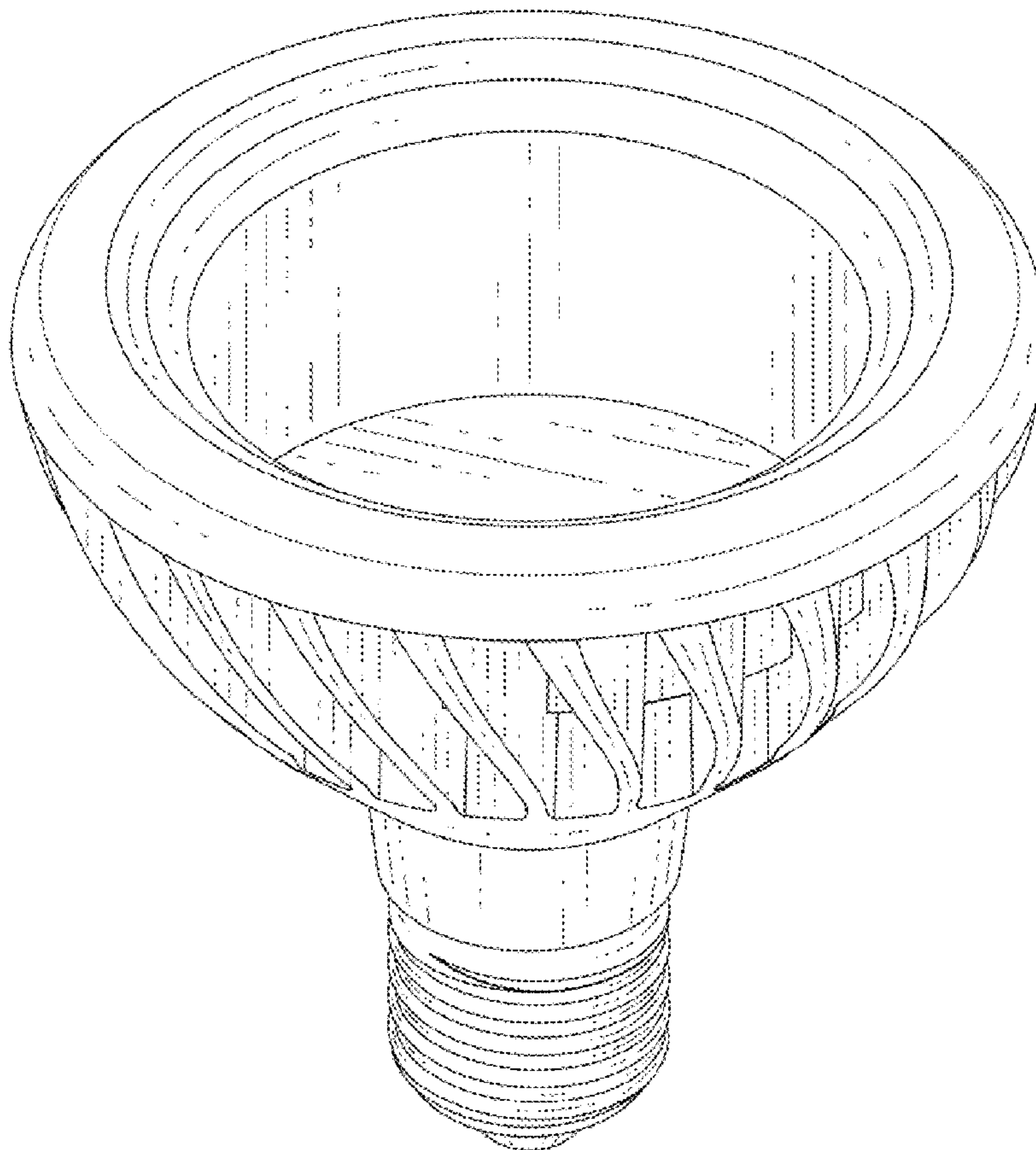
FIG. 4 is a left side view thereof;

FIG. 5 is a right side view thereof;

FIG. 6 is a top view thereof; and,

FIG. 7 is a bottom view thereof.

**1 Claim, 7 Drawing Sheets**



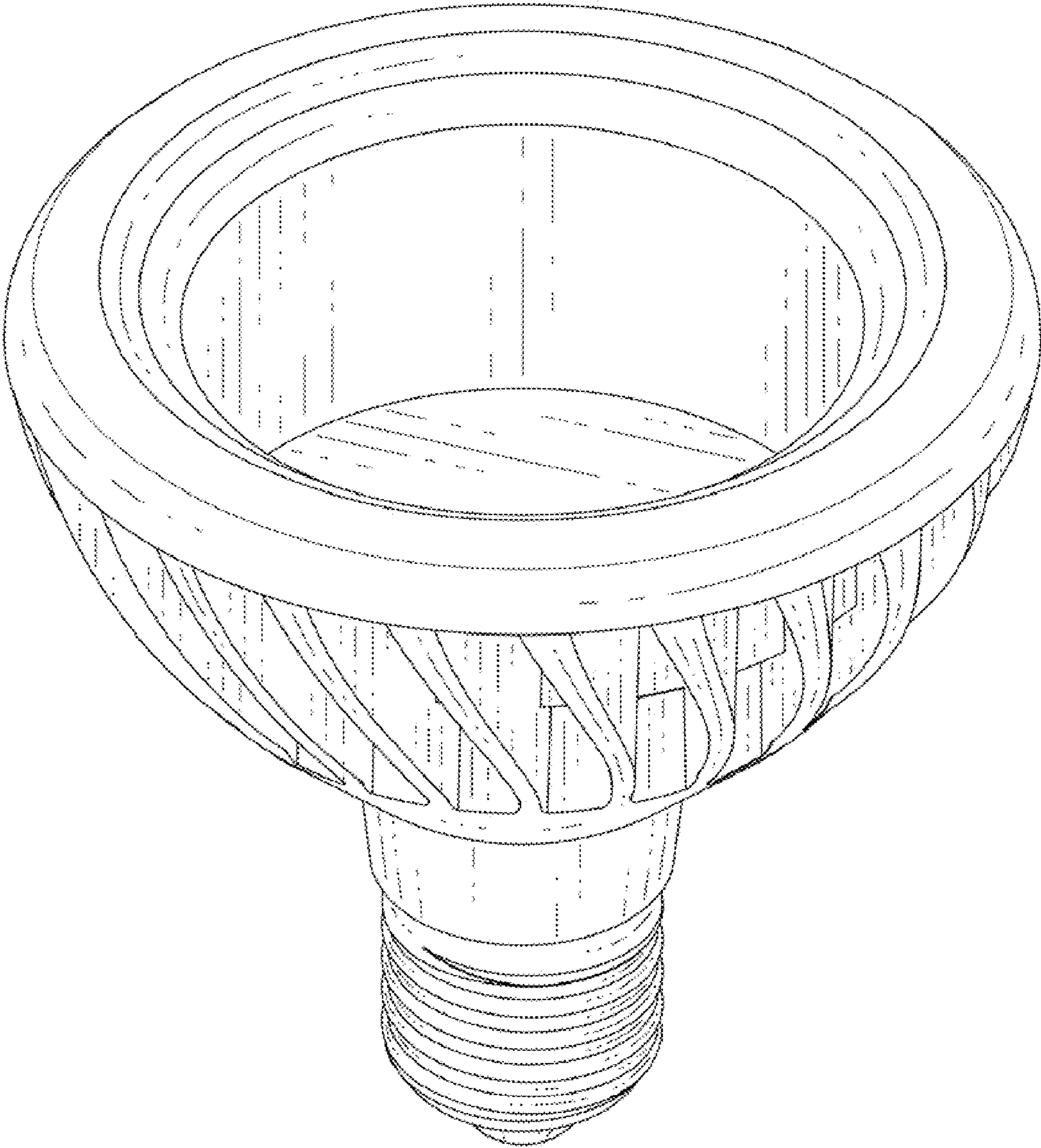


FIG. 1

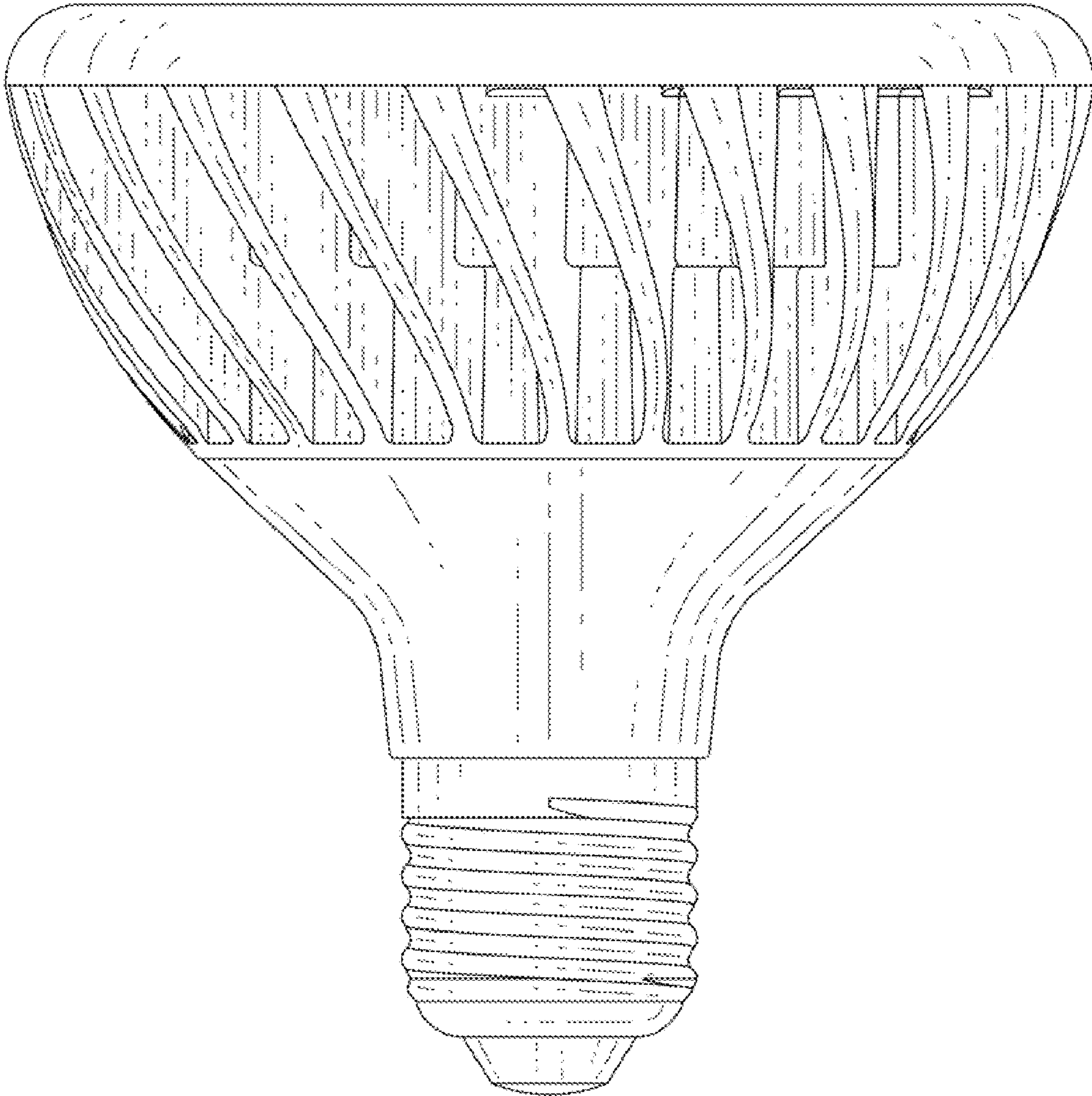


FIG. 2



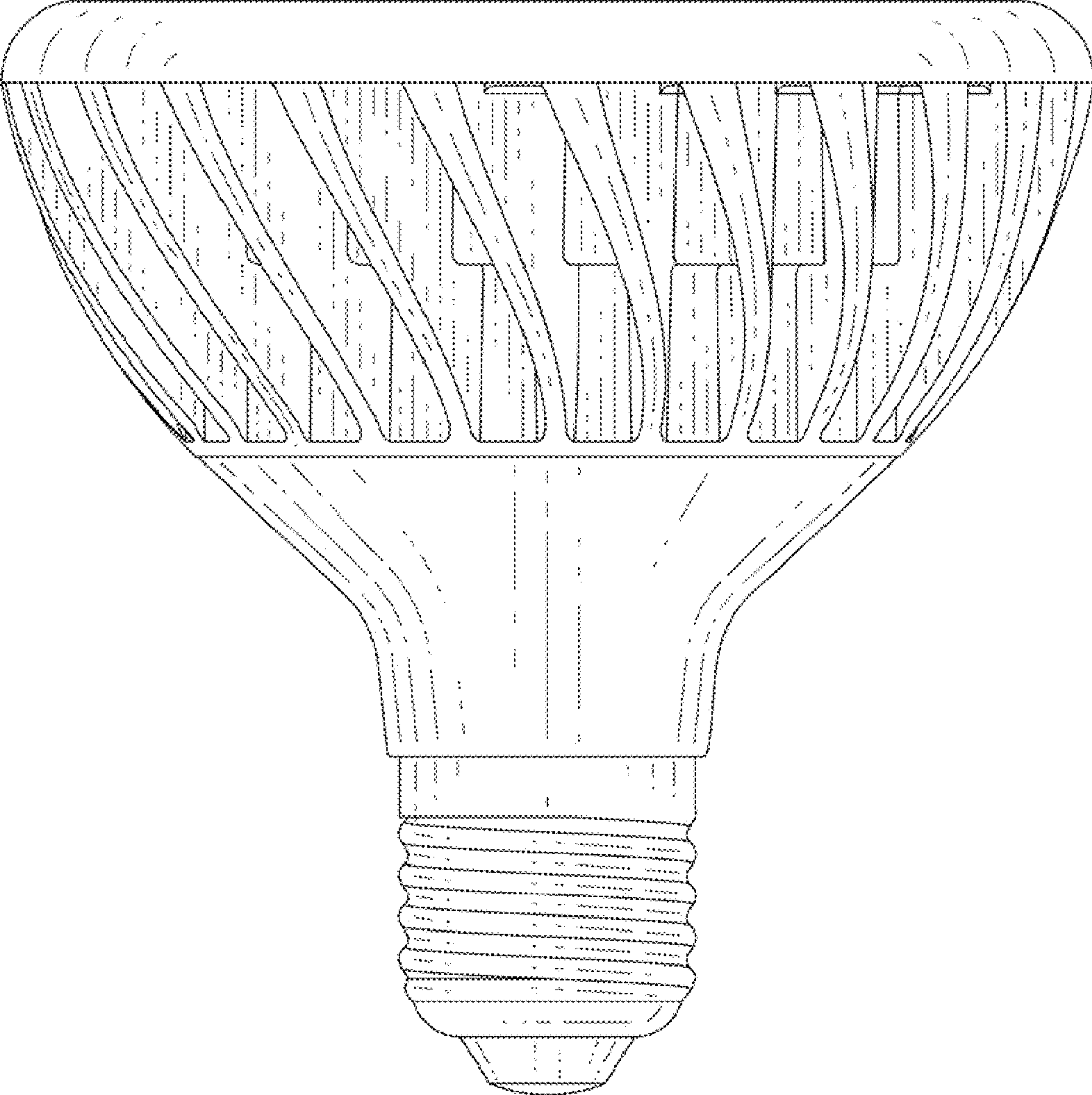


FIG. 3

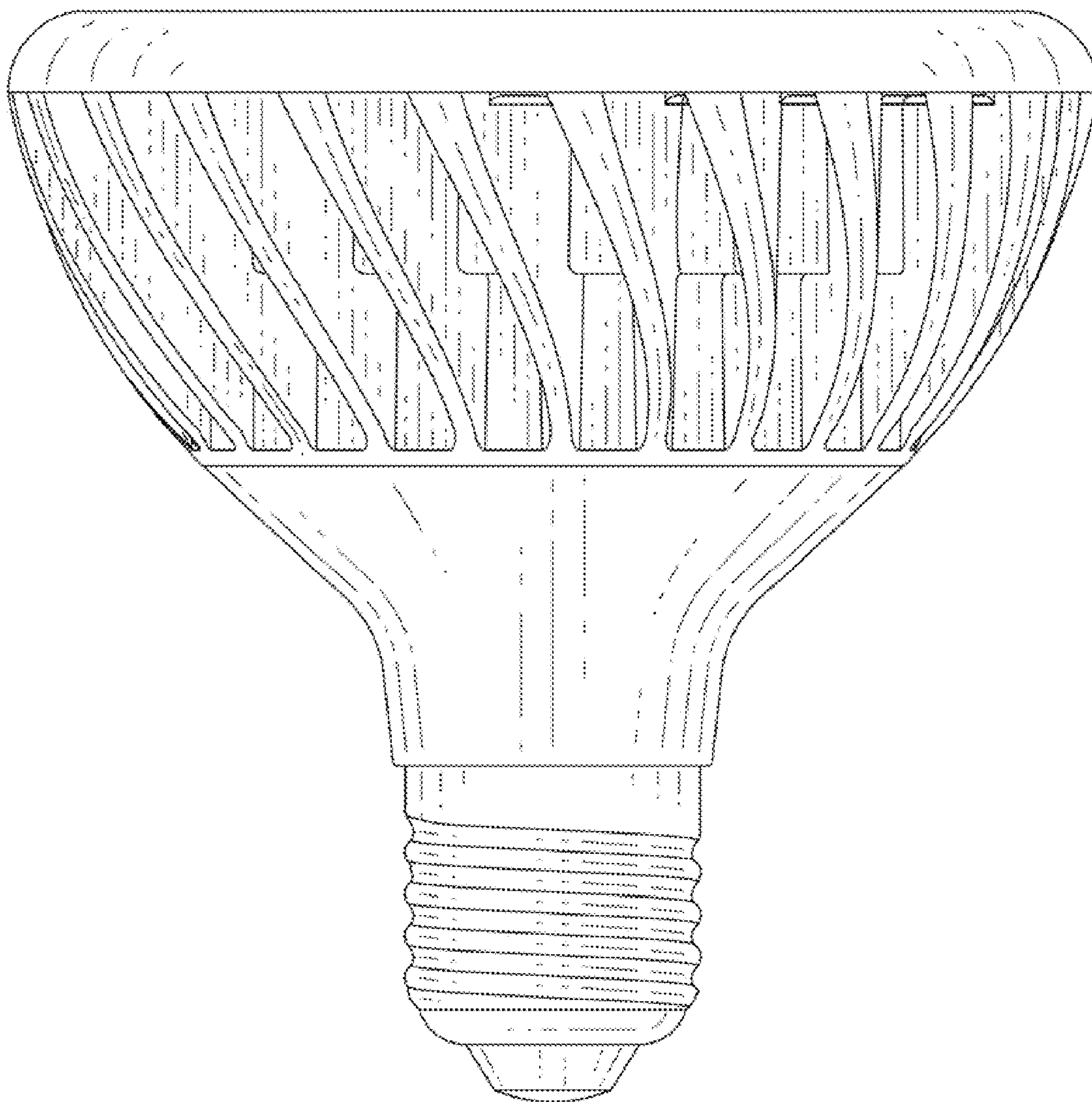


FIG. 4

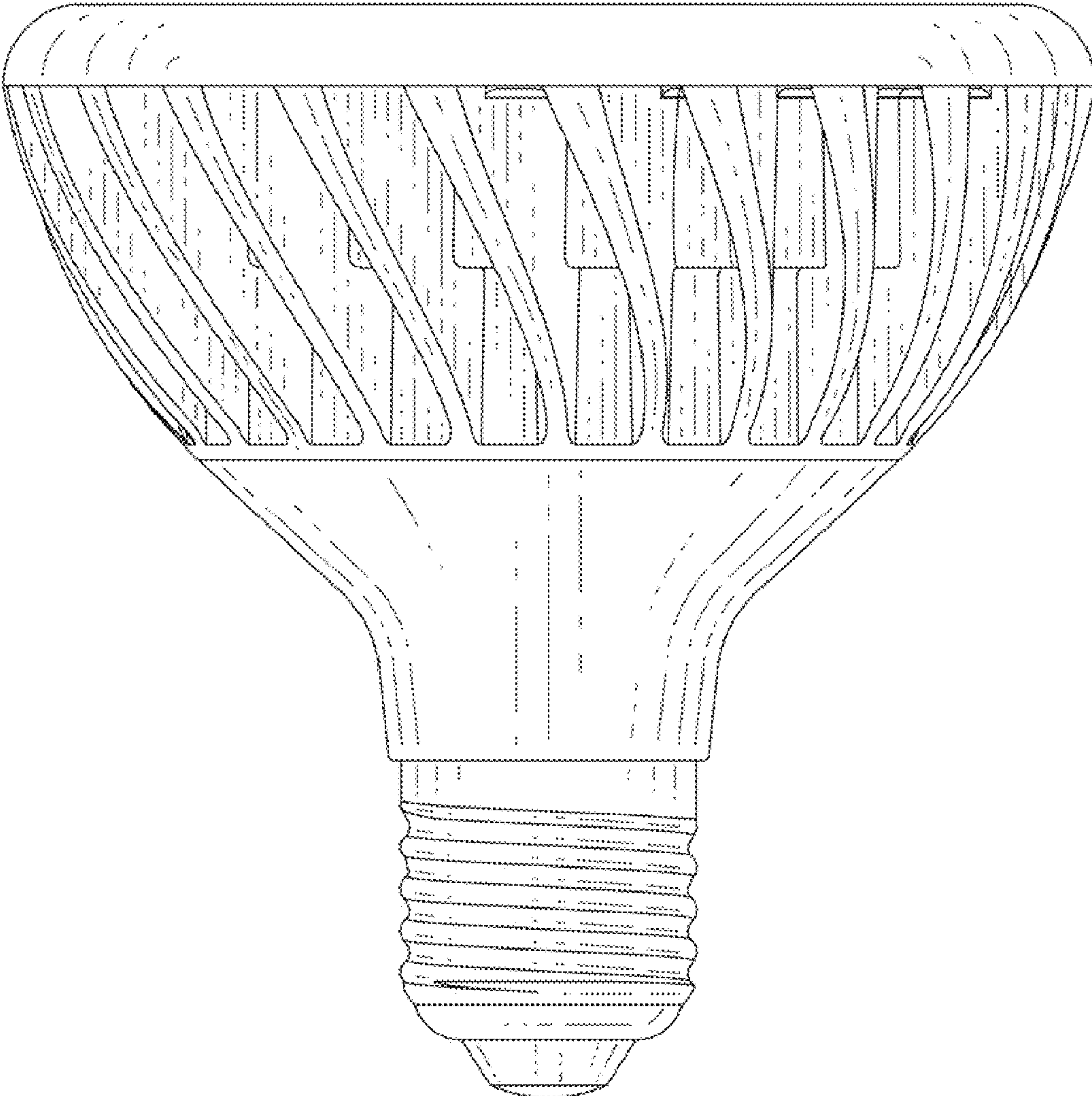


FIG. 5

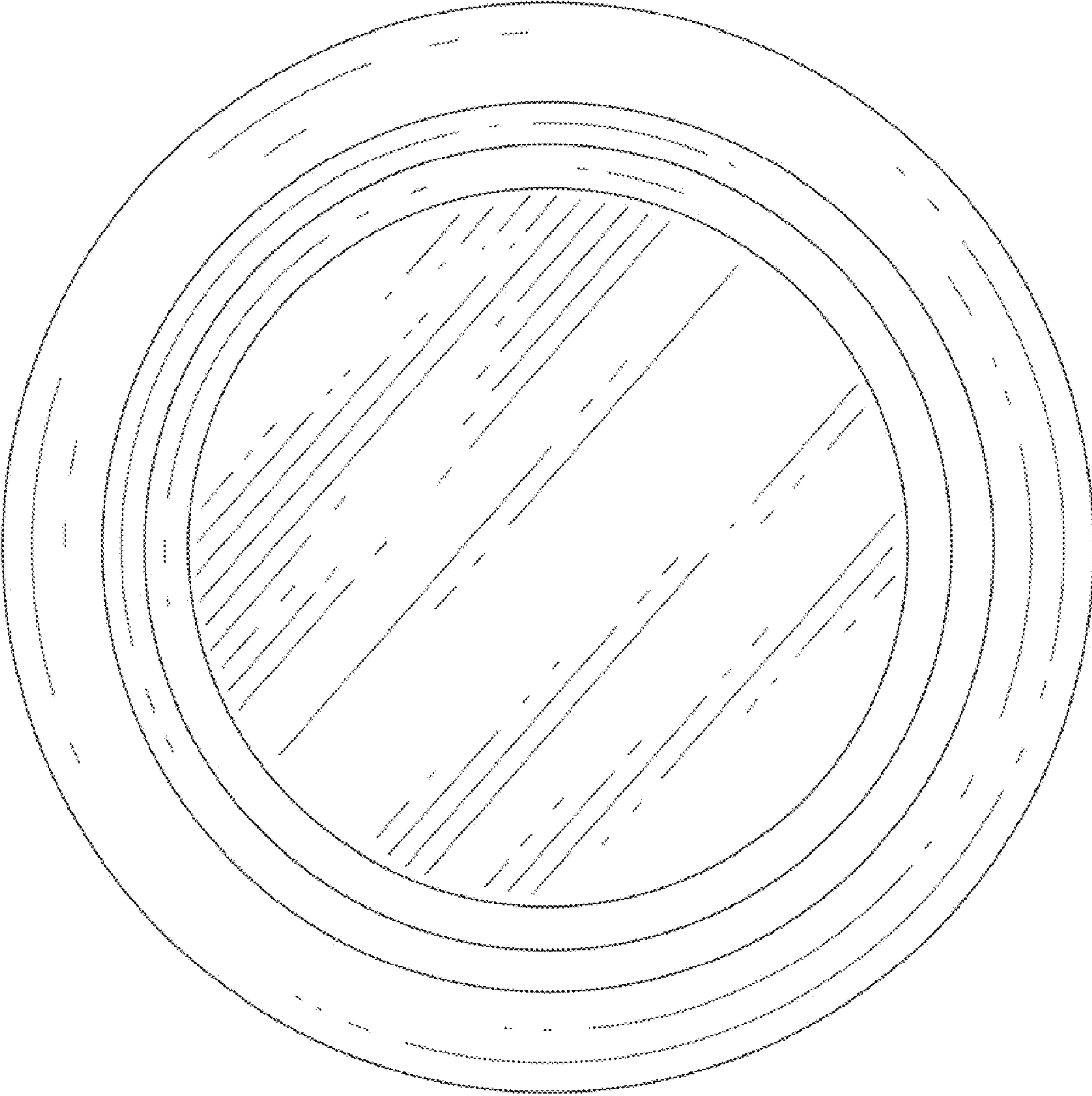


FIG. 6



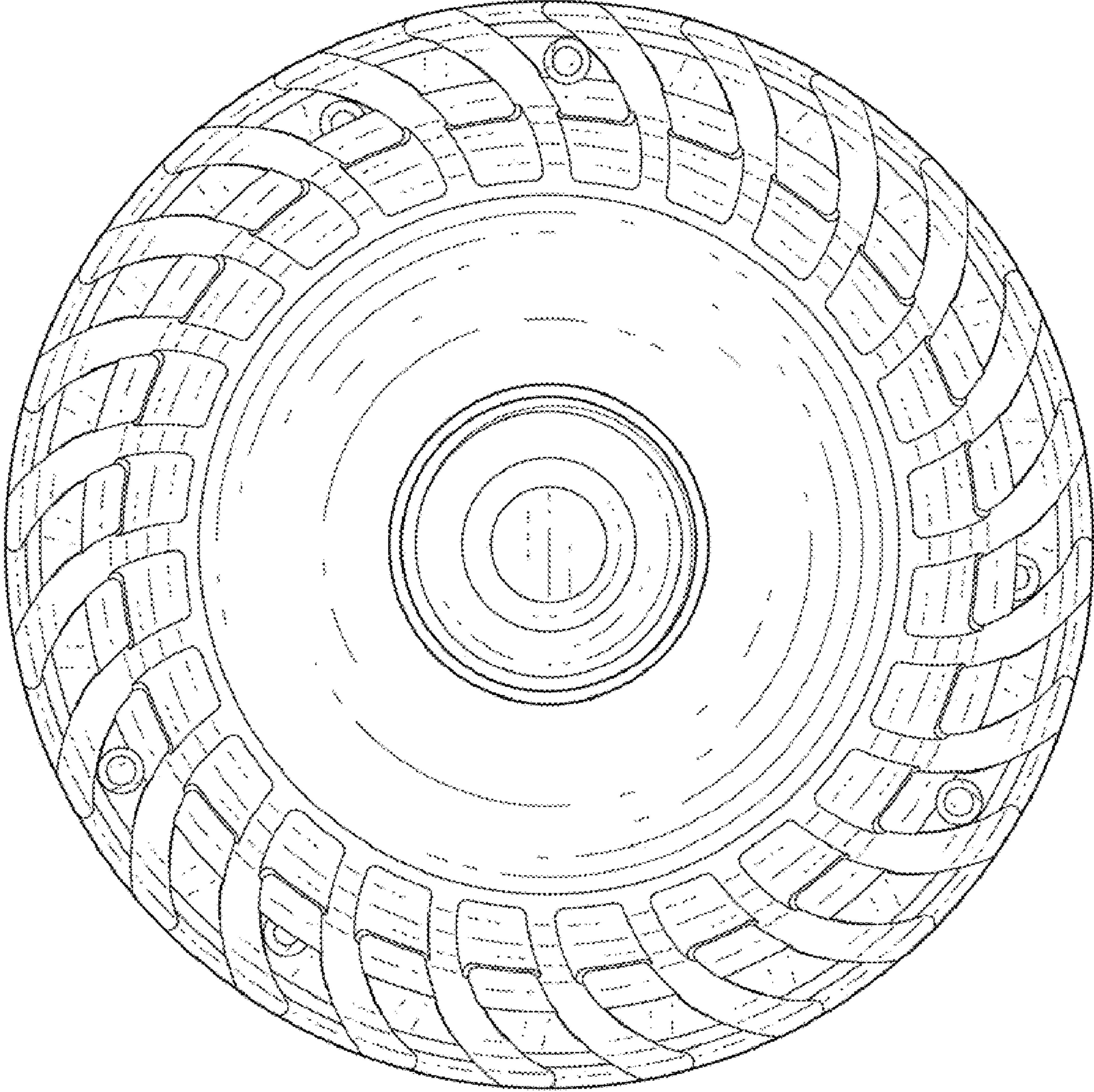


FIG. 7