



US00D630774S

(12) **United States Design Patent**
Chen et al.

(10) **Patent No.:** **US D630,774 S**

(45) **Date of Patent:** **** Jan. 11, 2011**

(54) **LED REFLECTIVE LAMP**

D601,278 S * 9/2009 Takahashi D26/2
D617,918 S * 6/2010 Yamamoto et al. D26/2

(75) Inventors: **Chen-Pin Chen**, Hsinchu (TW);
Mao-Sung Hsu, Hsinchu (TW)

* cited by examiner

(73) Assignee: **Tyntek Corporation**, Hsinchu (TW)

Primary Examiner—Marcus A Jackson

(74) *Attorney, Agent, or Firm*—Ladas & Parry LLP

(**) Term: **14 Years**

(57) **CLAIM**

(21) Appl. No.: **29/359,458**

The ornamental design for LED reflective lamp, as shown and described.

(22) Filed: **Apr. 12, 2010**

(51) **LOC (9) Cl.** **26-04**

(52) **U.S. Cl.** **D26/2**

(58) **Field of Classification Search** D26/1-4;
313/313, 315, 316, 317, 318, 498; 315/52,
315/53, 56, 57, 58

See application file for complete search history.

DESCRIPTION

FIG. 1 is a perspective view of LED reflective lamp showing my new design;

FIG. 2 is a front elevational view thereof;

FIG. 3 is a rear elevational view thereof;

FIG. 4 is a left side elevational view thereof;

FIG. 5 is a right side elevational view thereof;

FIG. 6 is a top plan view thereof; and,

FIG. 7 is a bottom plan view thereof.

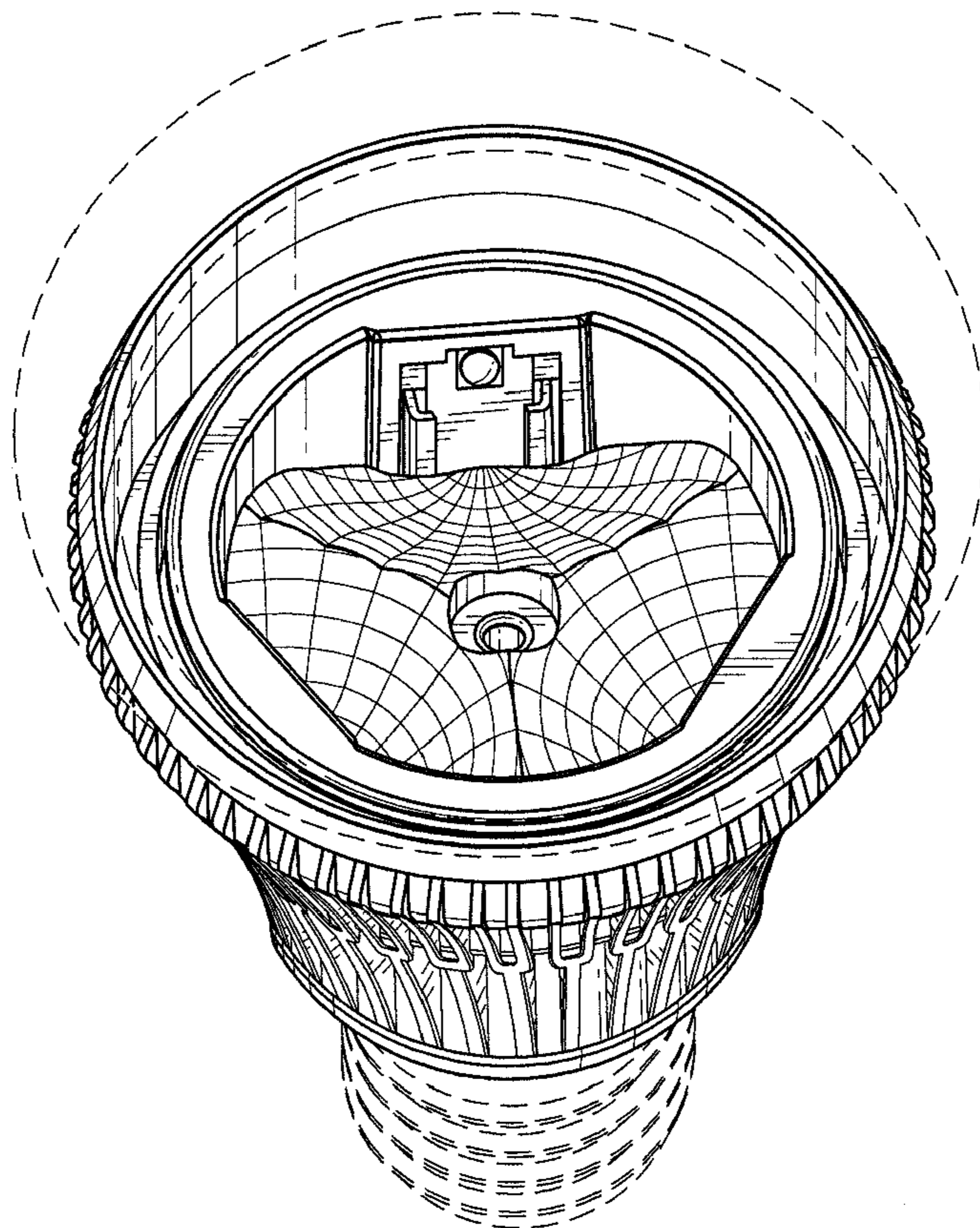
The portions shown in dashed lines in FIGS. 1-7 do not form part of the design.

(56) **References Cited**

U.S. PATENT DOCUMENTS

| | | | | |
|--------------|---------|--------------|-------|-------|
| D549,360 S * | 8/2007 | An | | D26/2 |
| D553,267 S * | 10/2007 | Yuen | | D26/2 |
| D560,286 S * | 1/2008 | Maxik et al. | | D26/2 |
| D566,300 S * | 4/2008 | Lo | | D26/2 |
| D570,504 S * | 6/2008 | Maxik et al. | | D26/2 |

1 Claim, 6 Drawing Sheets



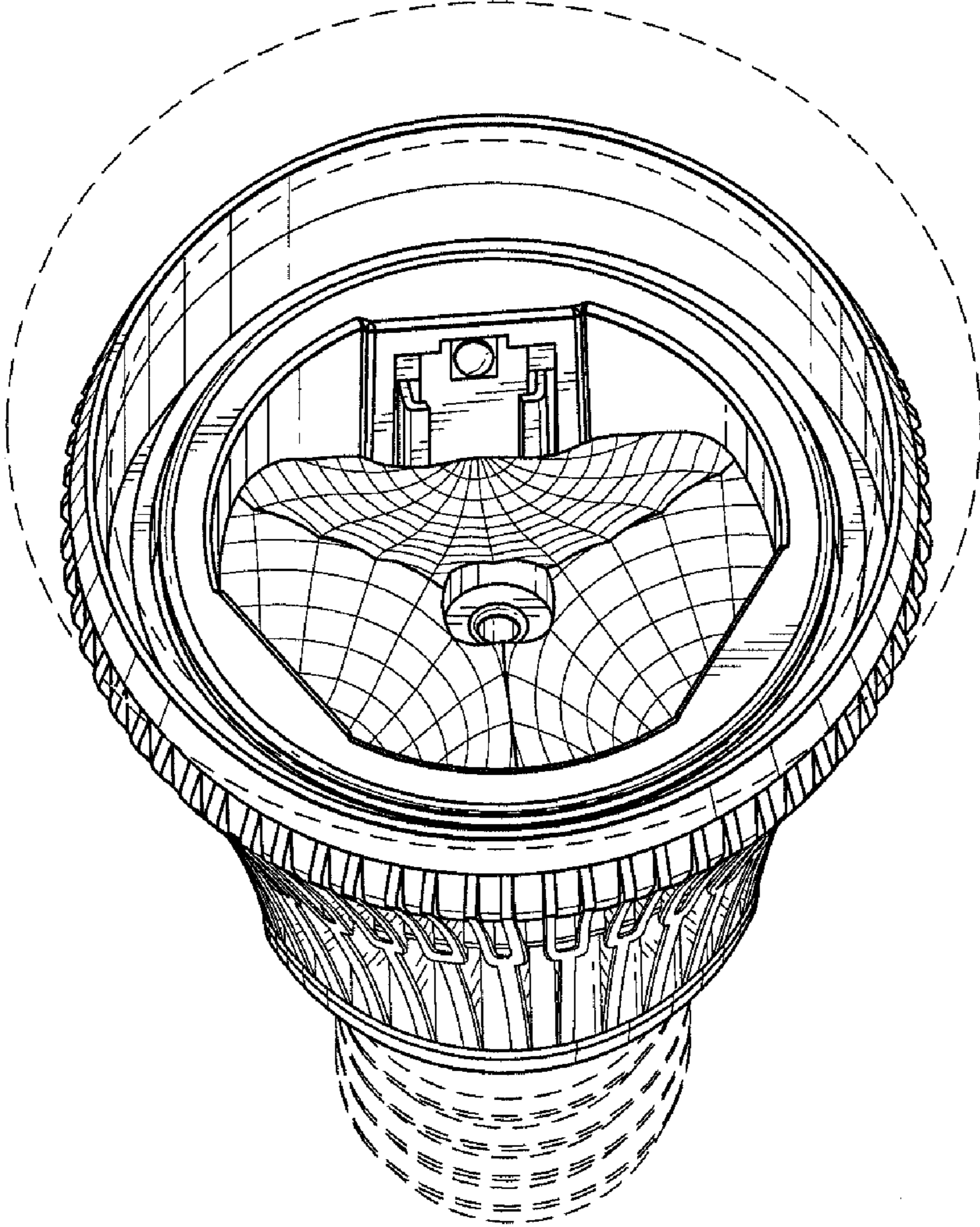


FIG. 1

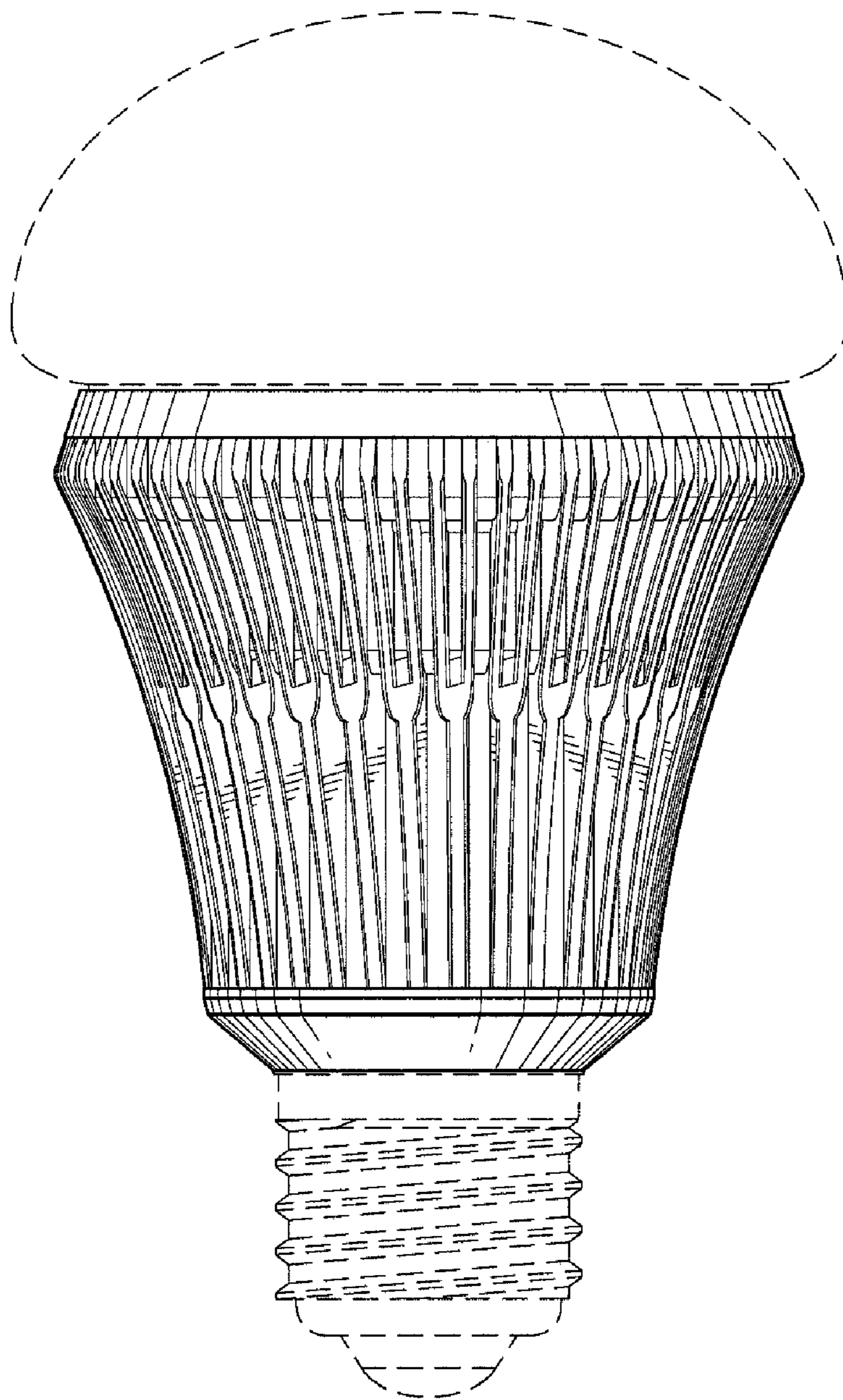


FIG. 2

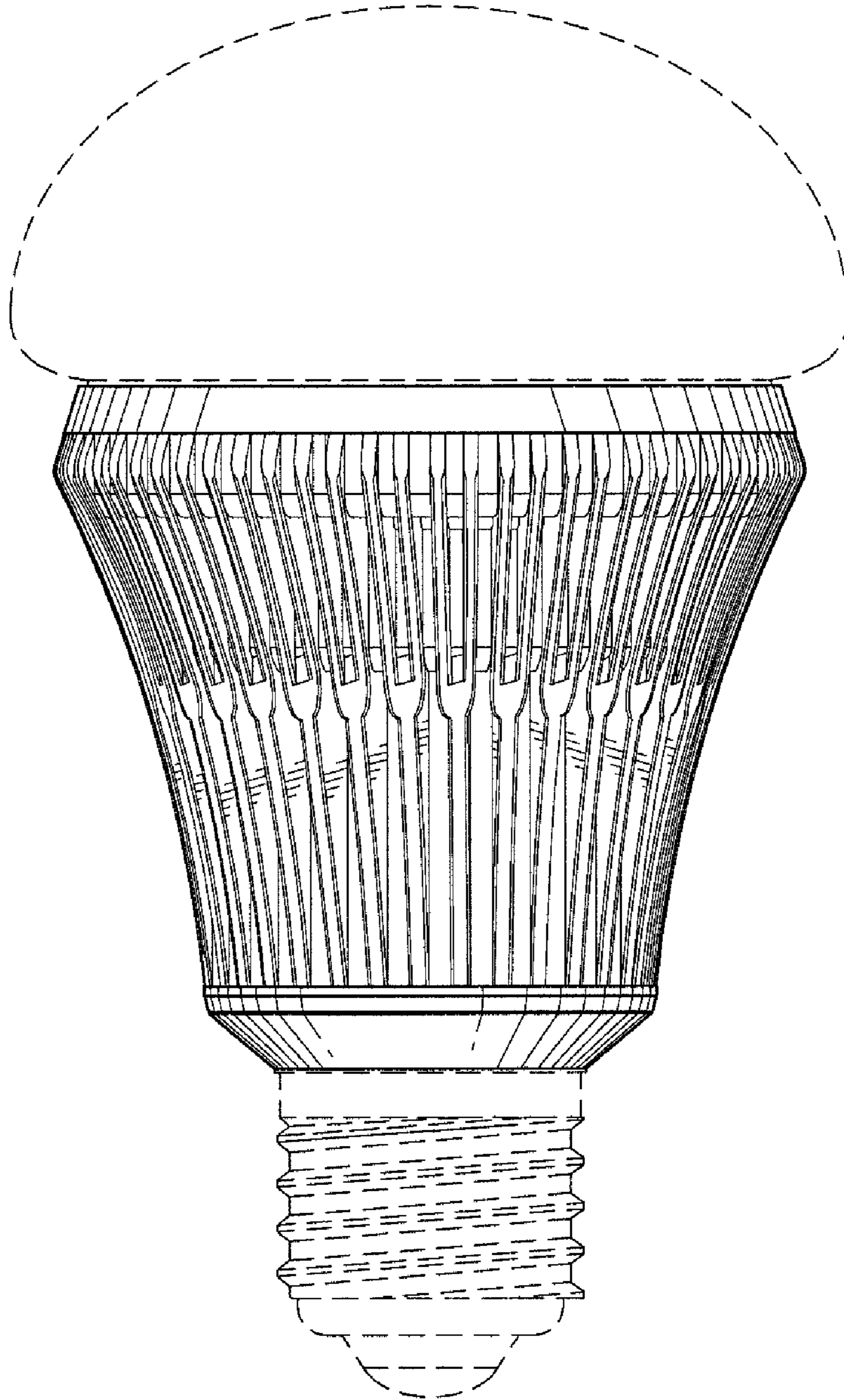


FIG. 3

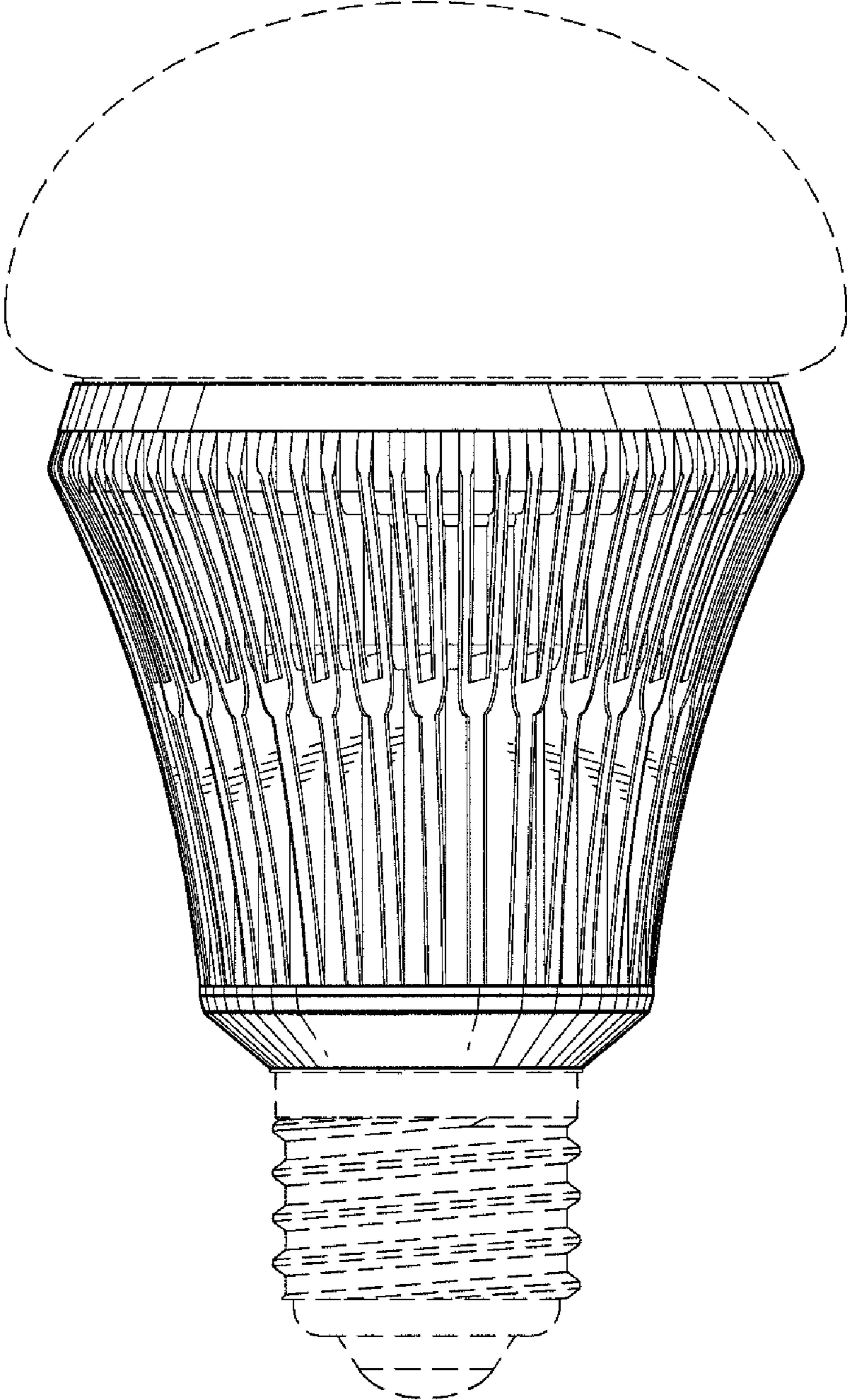


FIG. 4

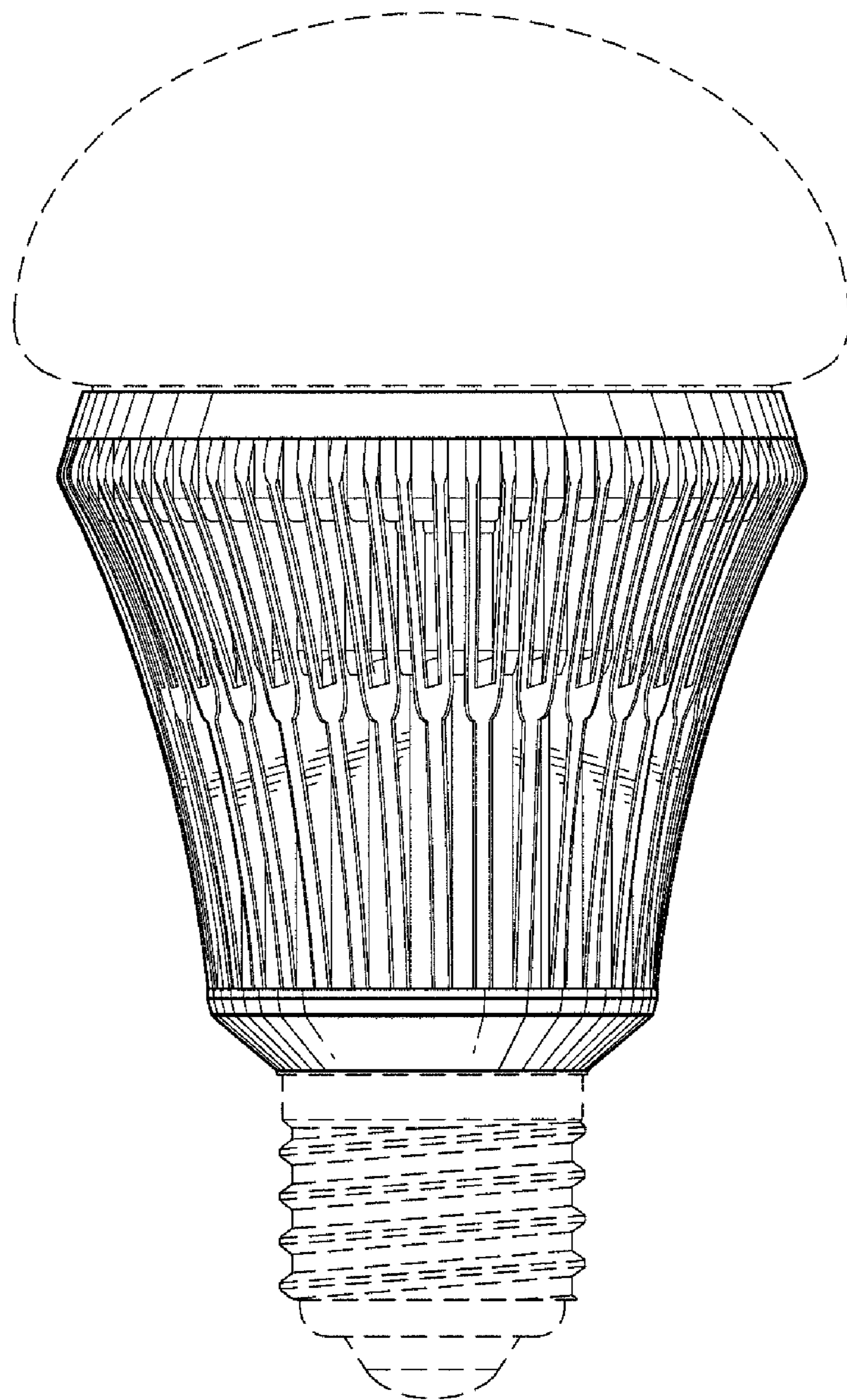


FIG. 5

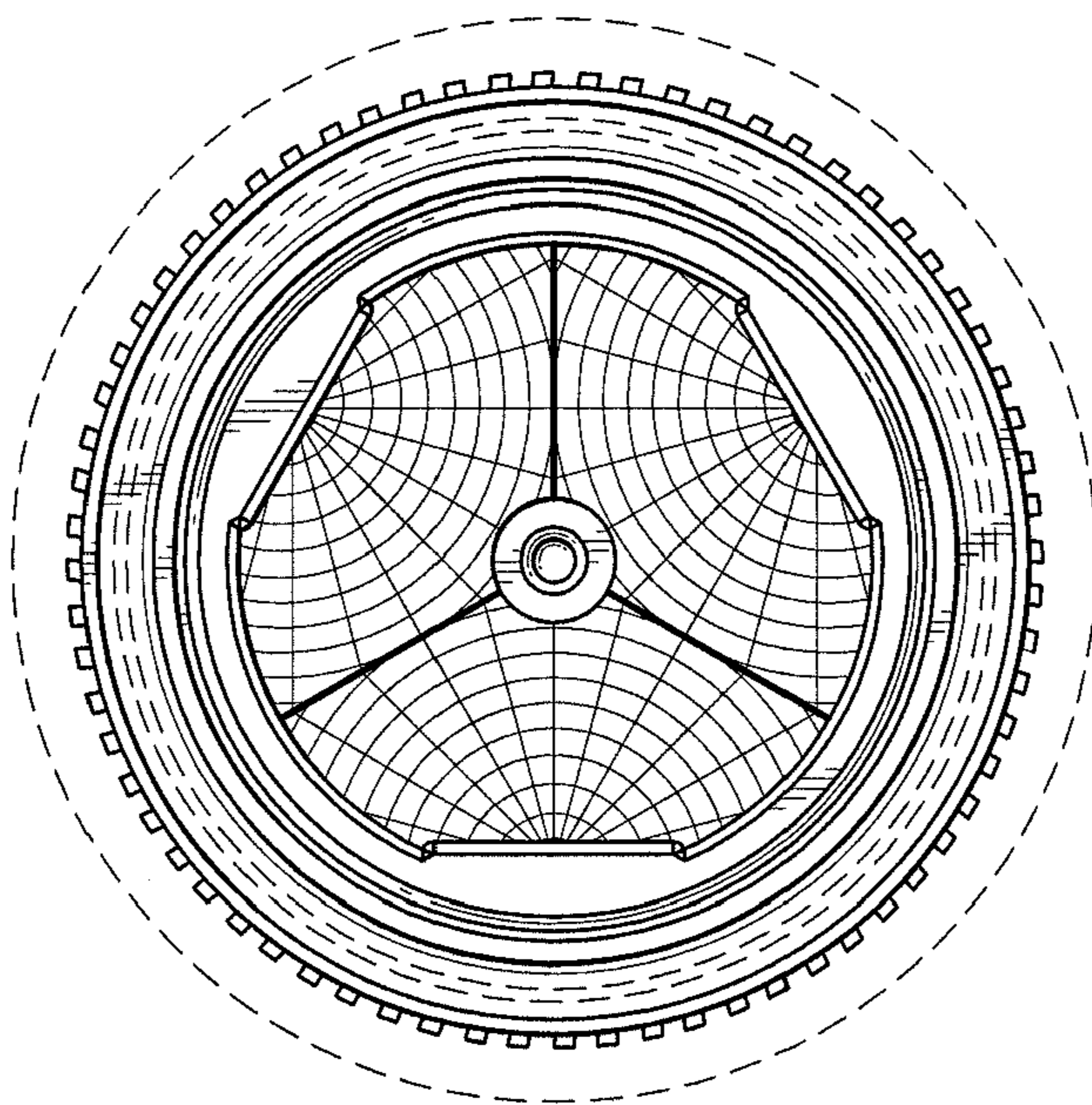


FIG. 6

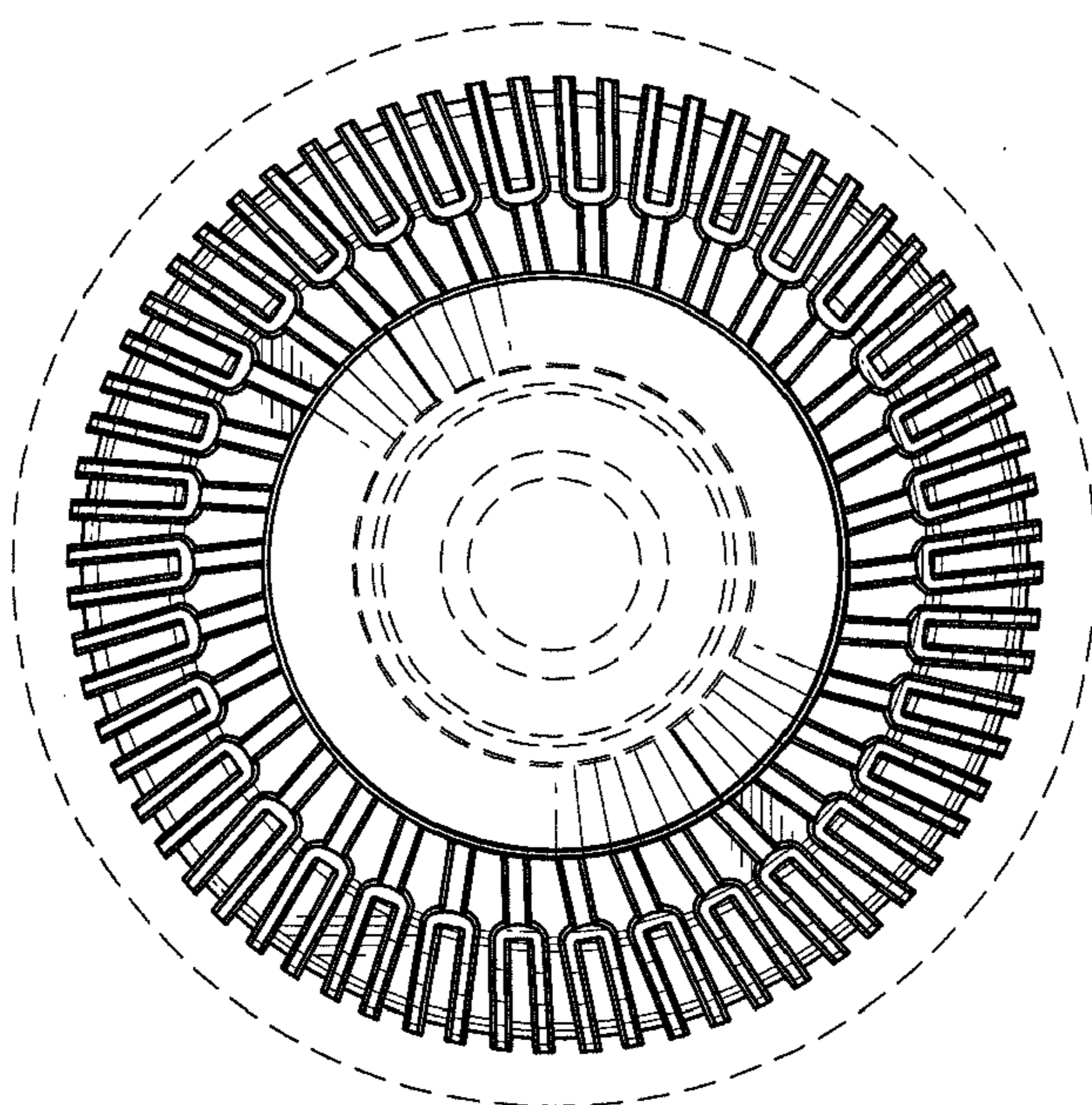


FIG. 7