



US00D630773S

(12) **United States Design Patent**  
**Li et al.**

(10) **Patent No.:** **US D630,773 S**  
(45) **Date of Patent:** **\*\* Jan. 11, 2011**

(54) **NECK PORTION OF A PAR LAMP**

D610,722 S \* 2/2010 Bi ..... D26/2  
D613,434 S \* 4/2010 Weiss ..... D26/2

(75) Inventors: **Jason J. Li**, Boxford, MA (US); **Jane Beasley**, Beverly, MA (US); **Harold L. Rothwell, Jr.**, Hopkinton, NH (US); **David M. Hrubowchak**, Litchfield, NH (US)

(73) Assignee: **Osram Sylvania Inc.**, Danvers, MA (US)

(\*\*) Term: **14 Years**

(21) Appl. No.: **29/349,292**

(22) Filed: **Mar. 23, 2010**

(51) **LOC (9) Cl.** ..... **26-04**

(52) **U.S. Cl.** ..... **D26/2**

(58) **Field of Classification Search** ..... D26/1-4;  
313/313, 315, 316, 317, 318, 493; 315/52,  
315/53, 56, 57, 58

See application file for complete search history.

(56) **References Cited**

**U.S. PATENT DOCUMENTS**

D379,538 S	5/1997	Gallant	
D398,407 S	9/1998	O'Connell et al.	
D427,335 S	6/2000	Noll	
D433,166 S	10/2000	Noll	
D435,576 S	12/2000	McBride	
D468,456 S	1/2003	Bobel	
D469,890 S	2/2003	Bobel	
D470,610 S	2/2003	Bobel	
D498,310 S	11/2004	Gagnon et al.	
D505,738 S	5/2005	Buschmann et al.	
D568,498 S	5/2008	Degenhard et al.	
D601,279 S *	9/2009	Ou et al. ....	D26/2
D610,274 S *	2/2010	Cho .....	D26/2

**OTHER PUBLICATIONS**

Sylvania PAR 30 Lamp, on sale by Osram Sylvania in the U.S. more than one year before Applicants' filing date herein. (1 page), Prior to Mar. 23, 2010.

Sylvania PAR 30 Lamp, Exclusionary Socket, semi-transparent neck, on sale by Osram Sylvania in the U.S. more than one year before Applicants' filing date herein. (1 page, color), Prior to Mar. 23, 2010.

Sylvania PAR 30 Lamp, Exclusionary Socket, opaque ("silvered") neck, on sale by Osram Sylvania in the U.S. more than one year before Applicants' filing date herein. (1 page, color), Prior to Mar. 23, 2010.

\* cited by examiner

*Primary Examiner*—Marcus A Jackson

(74) *Attorney, Agent, or Firm*—Edward S. Podszus

(57) **CLAIM**

The ornamental design for a neck portion of a PAR lamp, as shown and described.

**DESCRIPTION**

FIG. 1 is a side elevational view of a transparent, first embodiment of our design, all others side views being the same;

FIG. 2 is a top plan view thereof; and

FIG. 3 is a bottom view thereof.

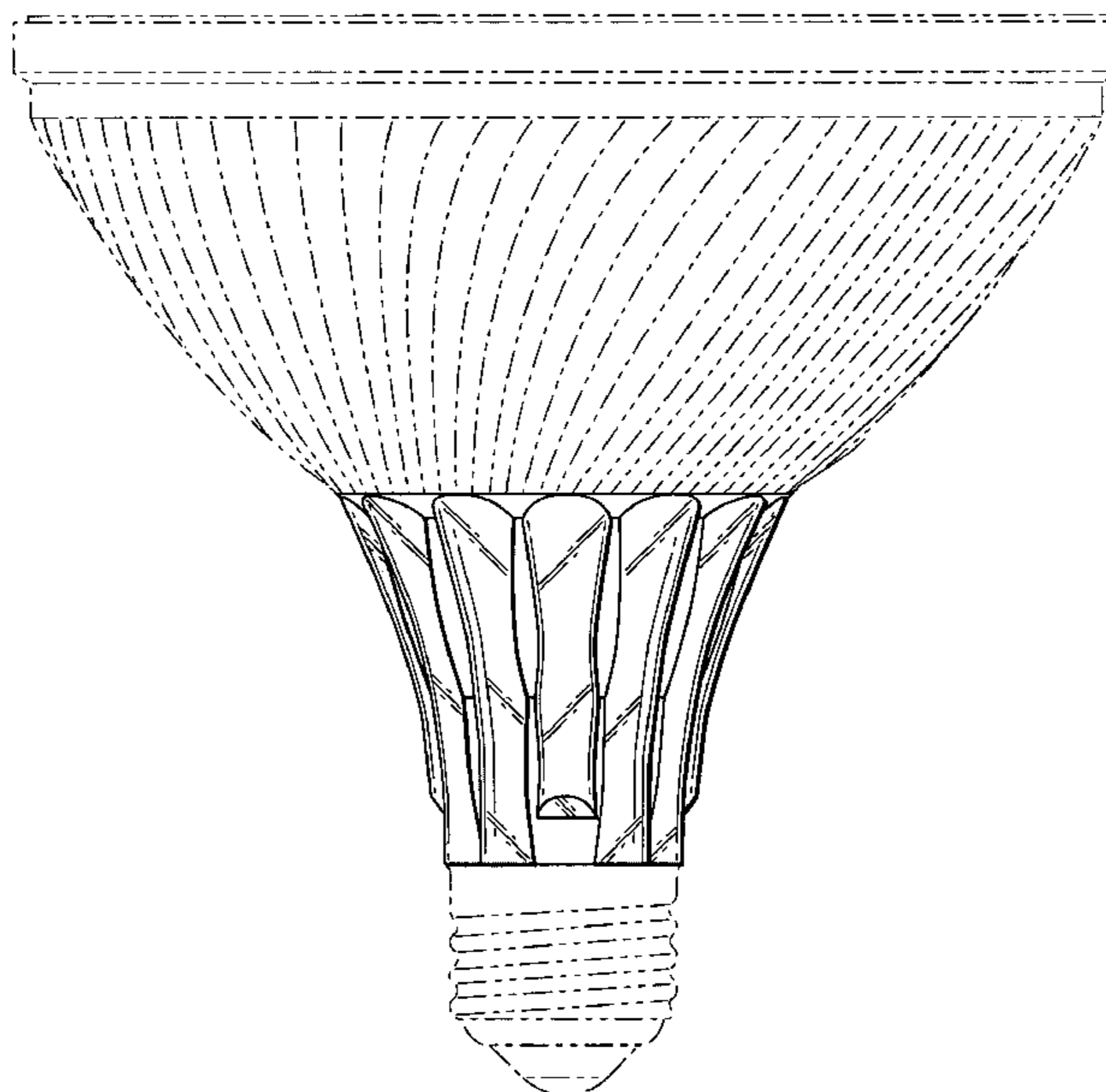
FIG. 4 is a side elevational view of an opaque, second embodiment of our design, all other side views being the same;

FIG. 5 is a top plan view thereof; and,

FIG. 6 is a bottom view thereof.

The broken line disclosure is for environmental purposes only and does not form a part of the claimed design.

**1 Claim, 6 Drawing Sheets**



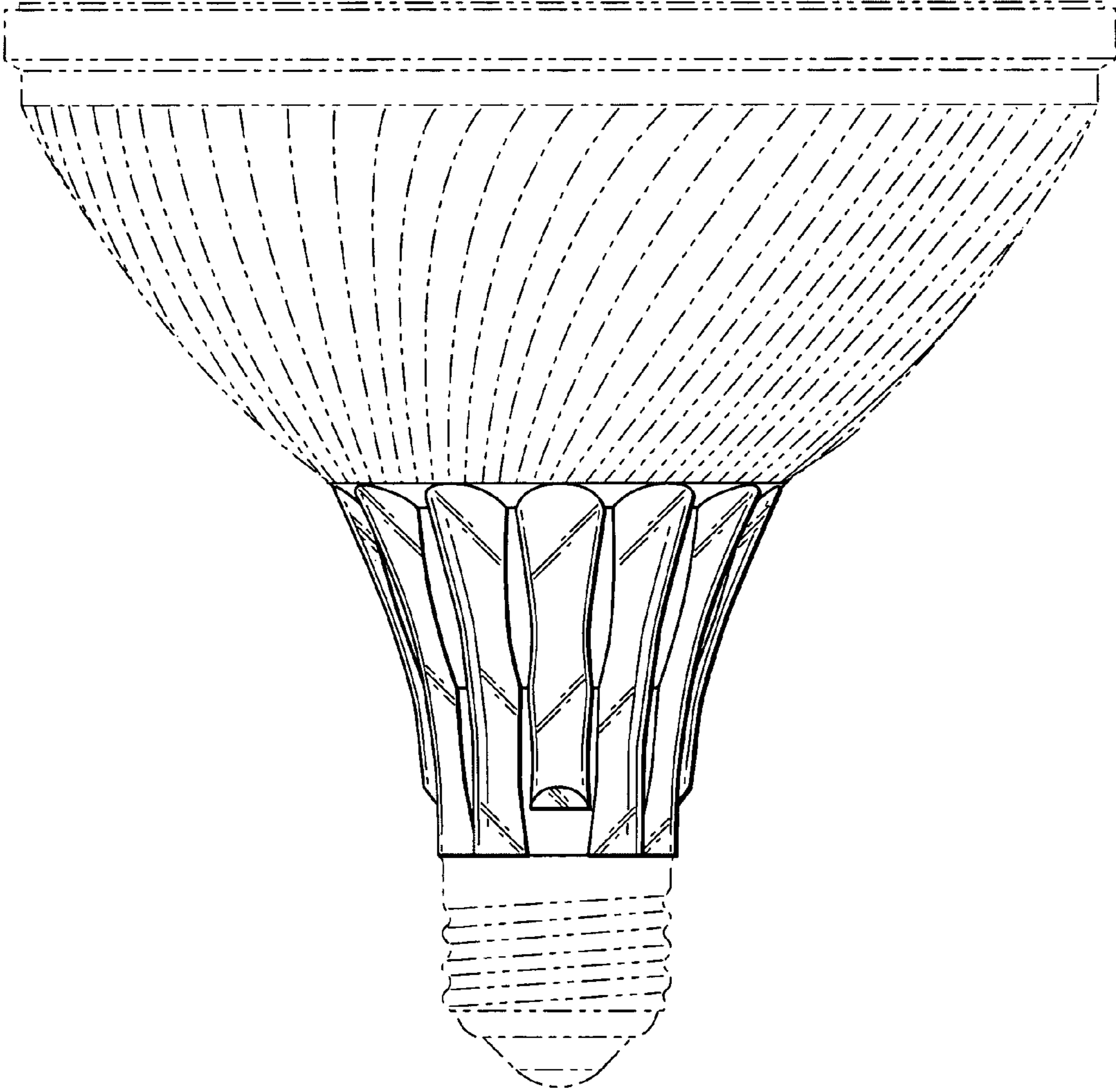


FIG. 1

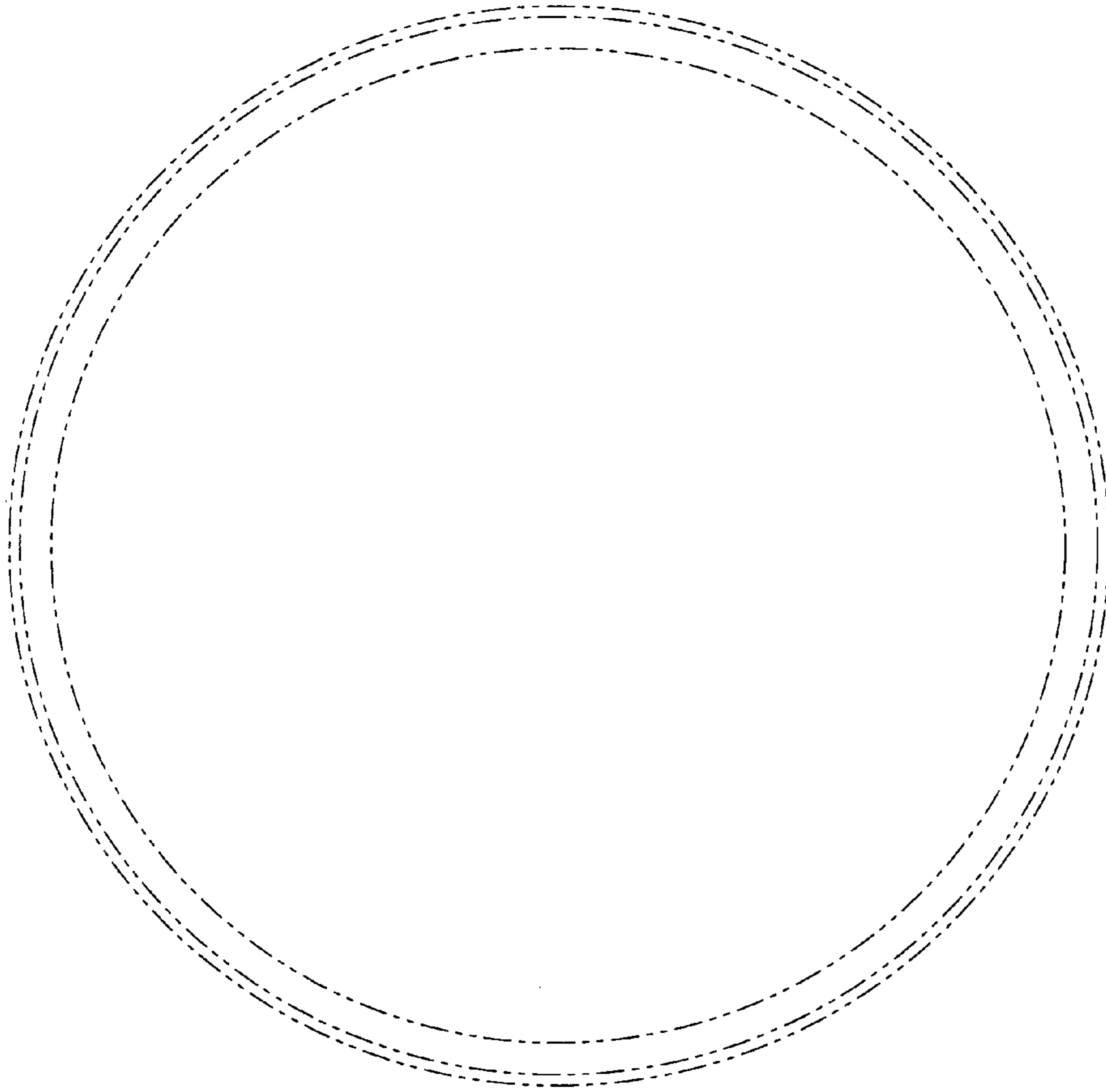


FIG. 2

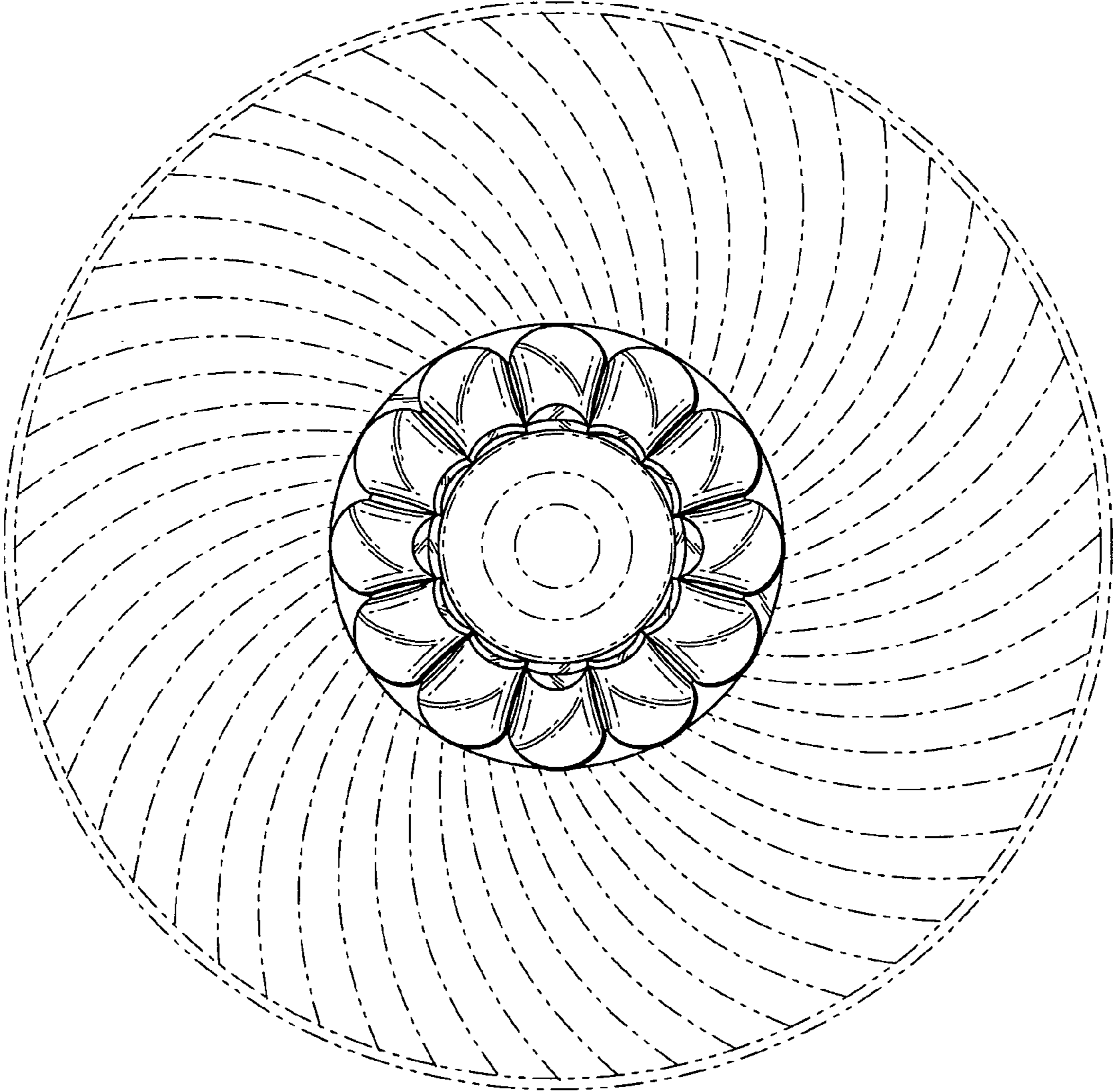


FIG. 3

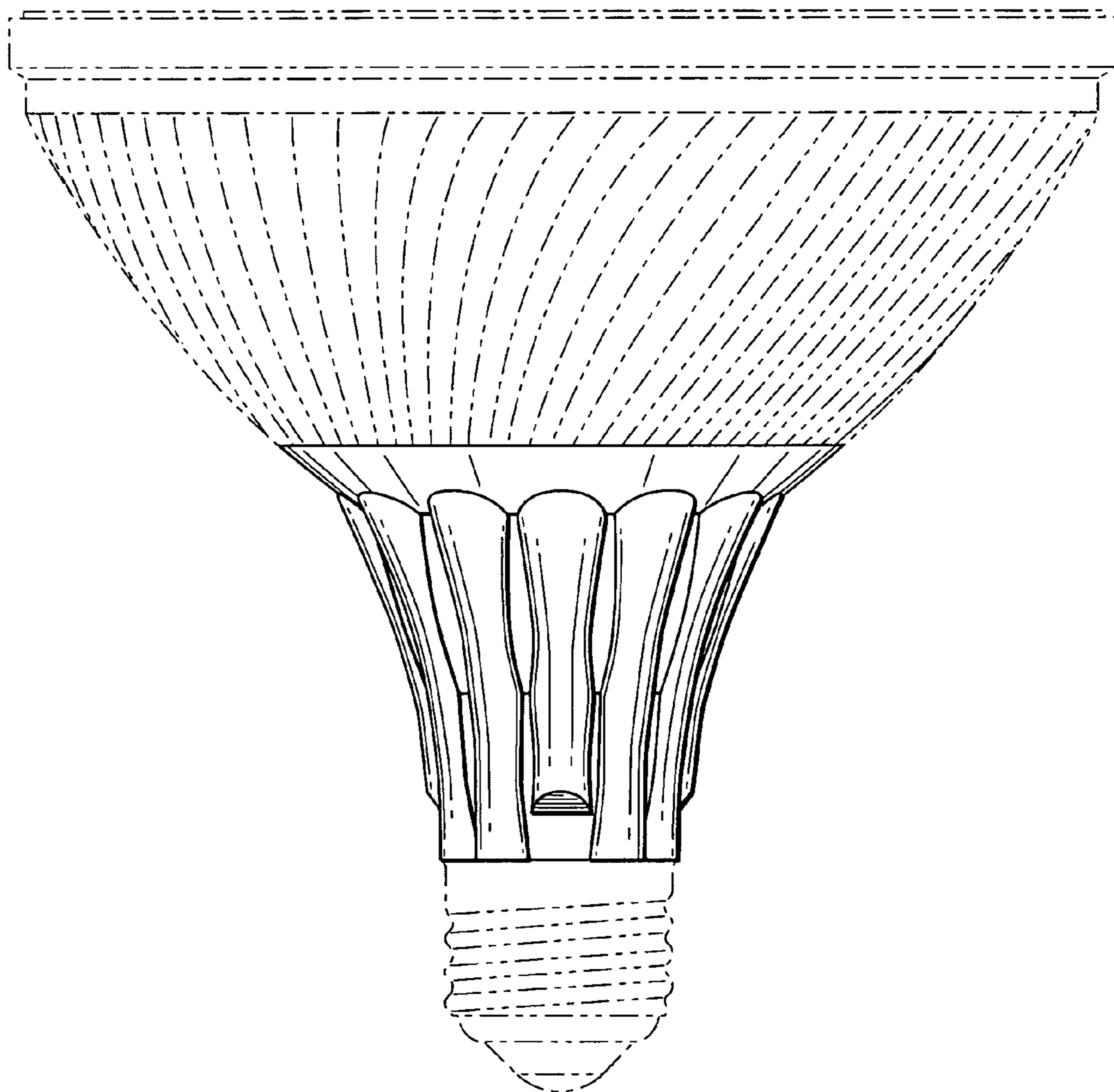


FIG. 4

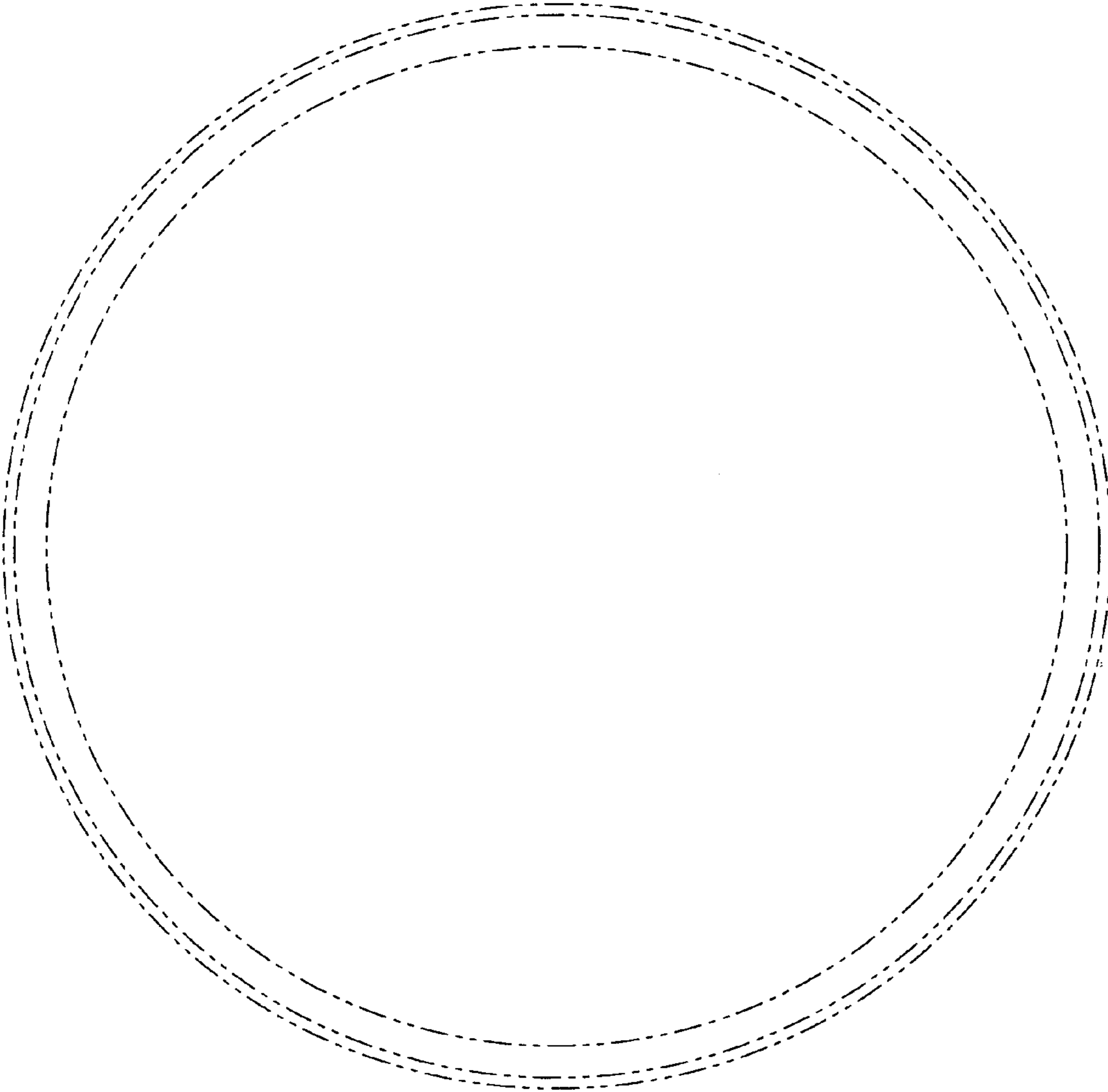


FIG. 5

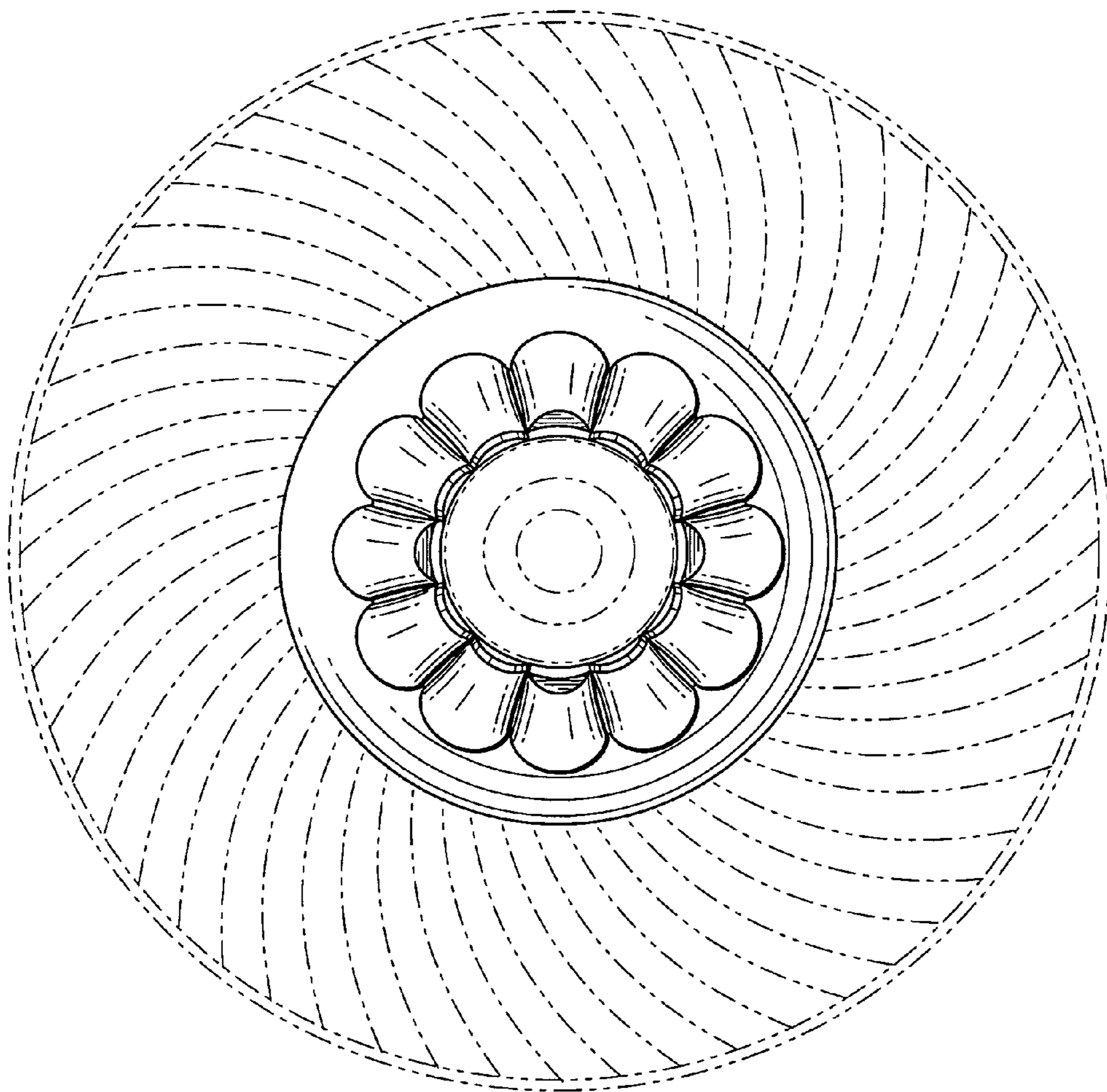


FIG. 6