



US00D630771S

(12) **United States Design Patent**  
**Muñoz Escribano**

(10) **Patent No.:** **US D630,771 S**  
(45) **Date of Patent:** **\*\* Jan. 11, 2011**

(54) **SLAT FOR ROLLER SHUTTERS**

(76) Inventor: **José Antonio Muñoz Escribano**,  
Apartado de Correos, 10, E-46900  
Torrente (Valencia) (ES)

(\*\*) Term: **14 Years**

(21) Appl. No.: **29/347,451**

(22) Filed: **Jan. 19, 2010**

(30) **Foreign Application Priority Data**

Jul. 31, 2009 (EP) ..... 001156137-0002

(51) **LOC (9) Cl.** ..... **25-01**

(52) **U.S. Cl.** ..... **D25/124; D25/49**

(58) **Field of Classification Search** ..... D25/119,  
D25/124, 49; 160/133, 238

See application file for complete search history.

(56) **References Cited**

**U.S. PATENT DOCUMENTS**

3,642,050	A *	2/1972	Piana	.....	160/133
D274,267	S *	6/1984	Cushing	.....	D25/124
D288,131	S *	2/1987	Magro	.....	D25/49
D299,966	S *	2/1989	Litchfield et al.	.....	D25/124
D328,139	S *	7/1992	Boer	.....	D25/119
5,456,305	A *	10/1995	Snarli	.....	160/133
5,476,130	A *	12/1995	Cheng	.....	160/133
D408,553	S *	4/1999	Lai	.....	D25/49

D421,137	S *	2/2000	Marshall	.....	D25/119
6,095,225	A *	8/2000	Miller	.....	160/133
D450,857	S *	11/2001	Schoeren	.....	D25/49
D472,332	S *	3/2003	Wenrick et al.	.....	D25/119
6,742,563	B2 *	6/2004	Belanger	.....	160/133

\* cited by examiner

*Primary Examiner*—Doris Clark

(74) *Attorney, Agent, or Firm*—Breiner & Breiner, LLC

(57) **CLAIM**

The ornamental design for slat for roller shutters, as shown and described.

**DESCRIPTION**

FIG. 1 is a front view of the slat for roller shutters;

FIG. 2 is a rear view of the slat for roller shutters;

FIG. 3 is an end view of the slat for roller shutters, the opposite end view being a mirror image thereof;

FIG. 4 is a top view of the slat for roller shutters;

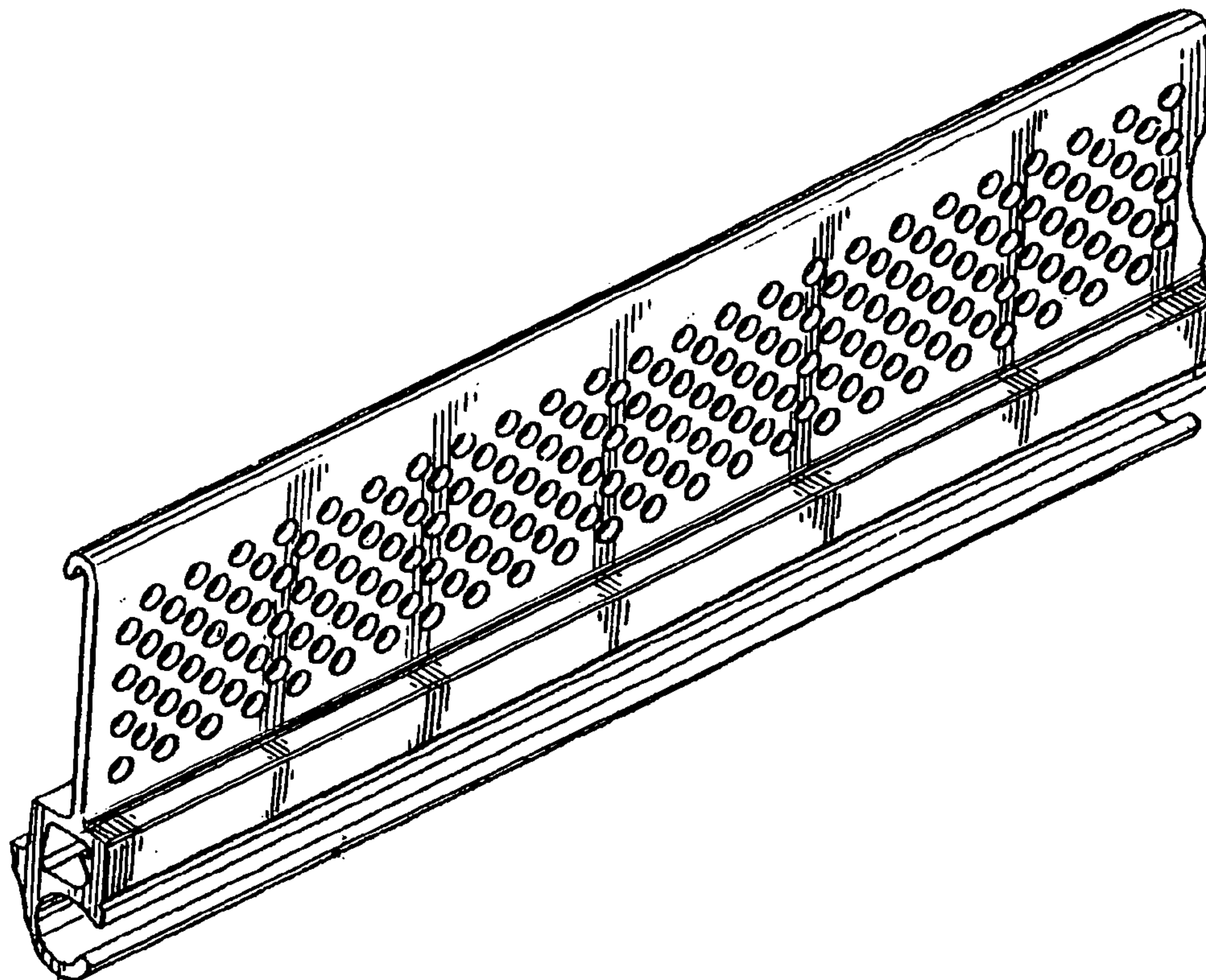
FIG. 5 is a bottom view of the slat for roller shutters;

FIG. 6 is a front perspective view of the slat for roller shutters; and,

FIG. 7 is a rear perspective view of the slat for roller shutters.

The claimed design has been illustrated broken on one end to indicate indeterminate length.

**1 Claim, 3 Drawing Sheets**



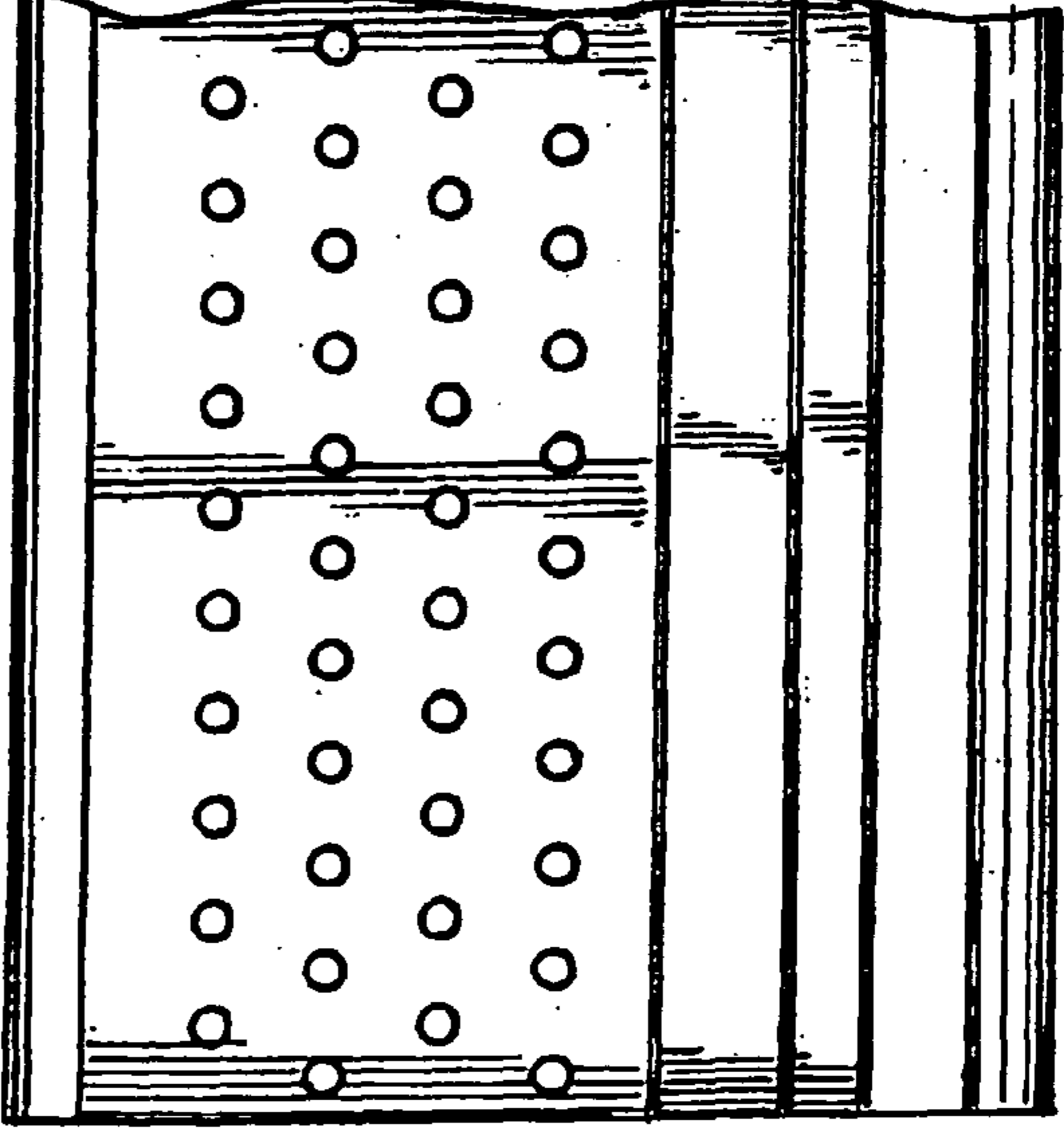
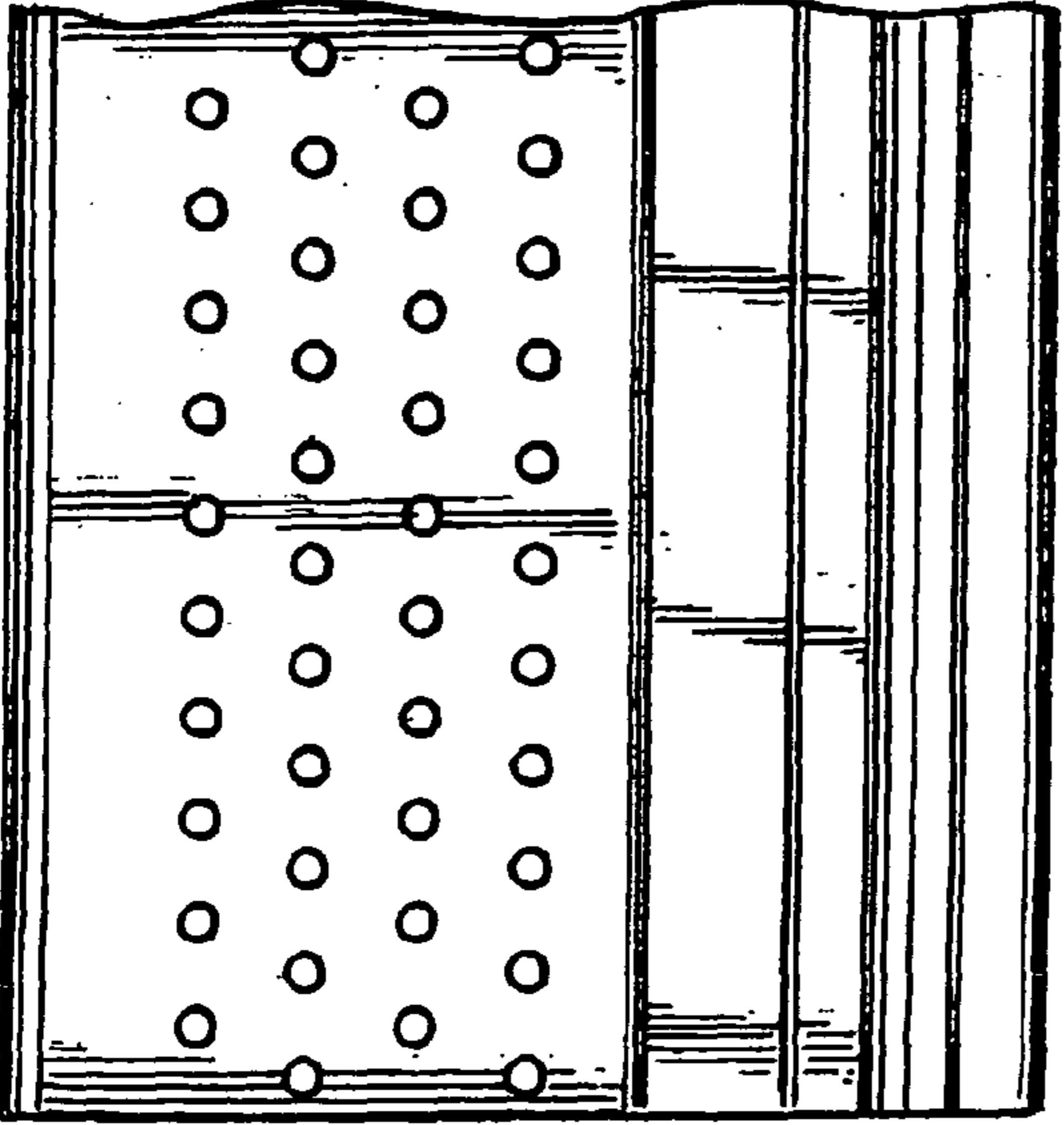
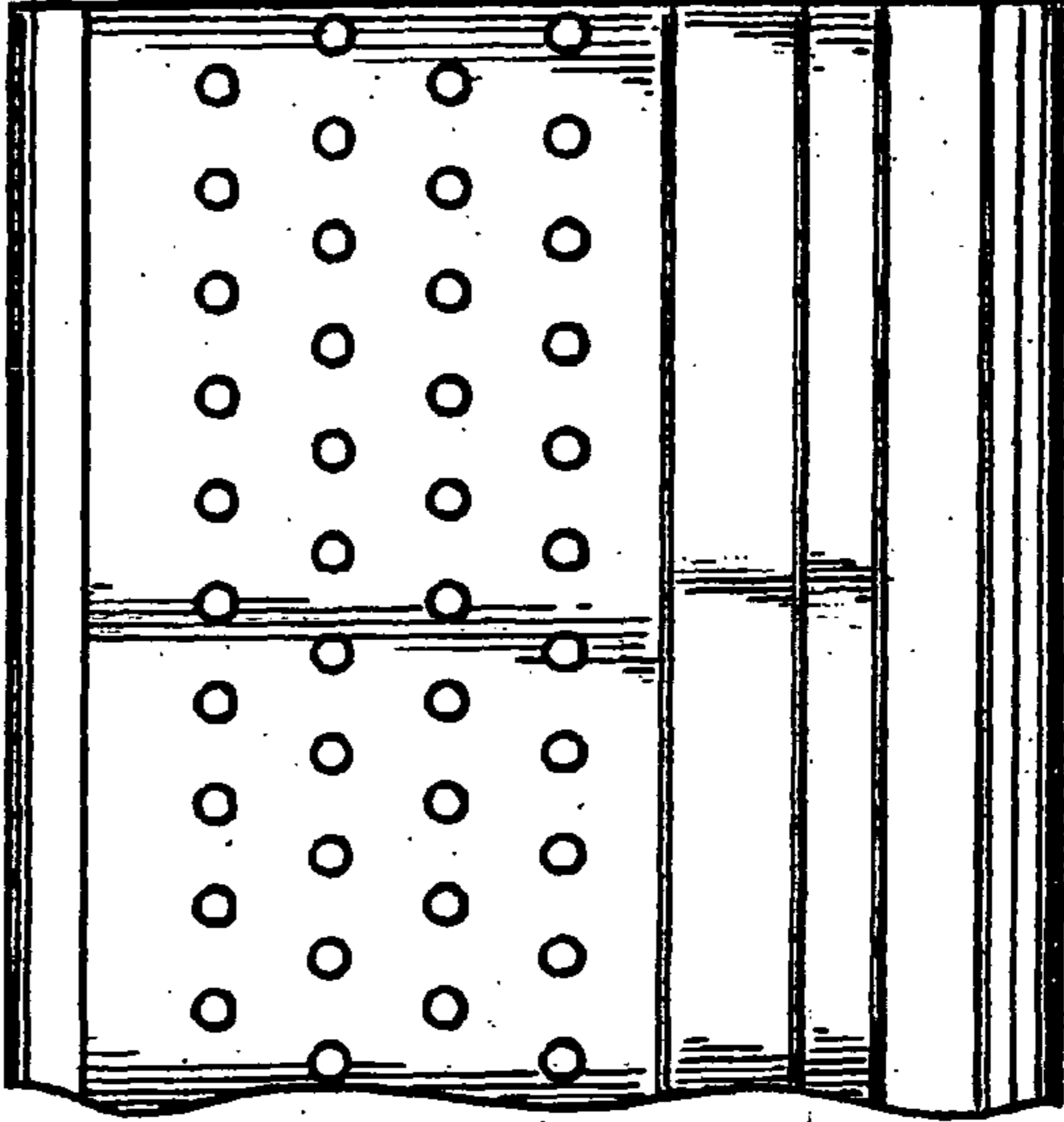
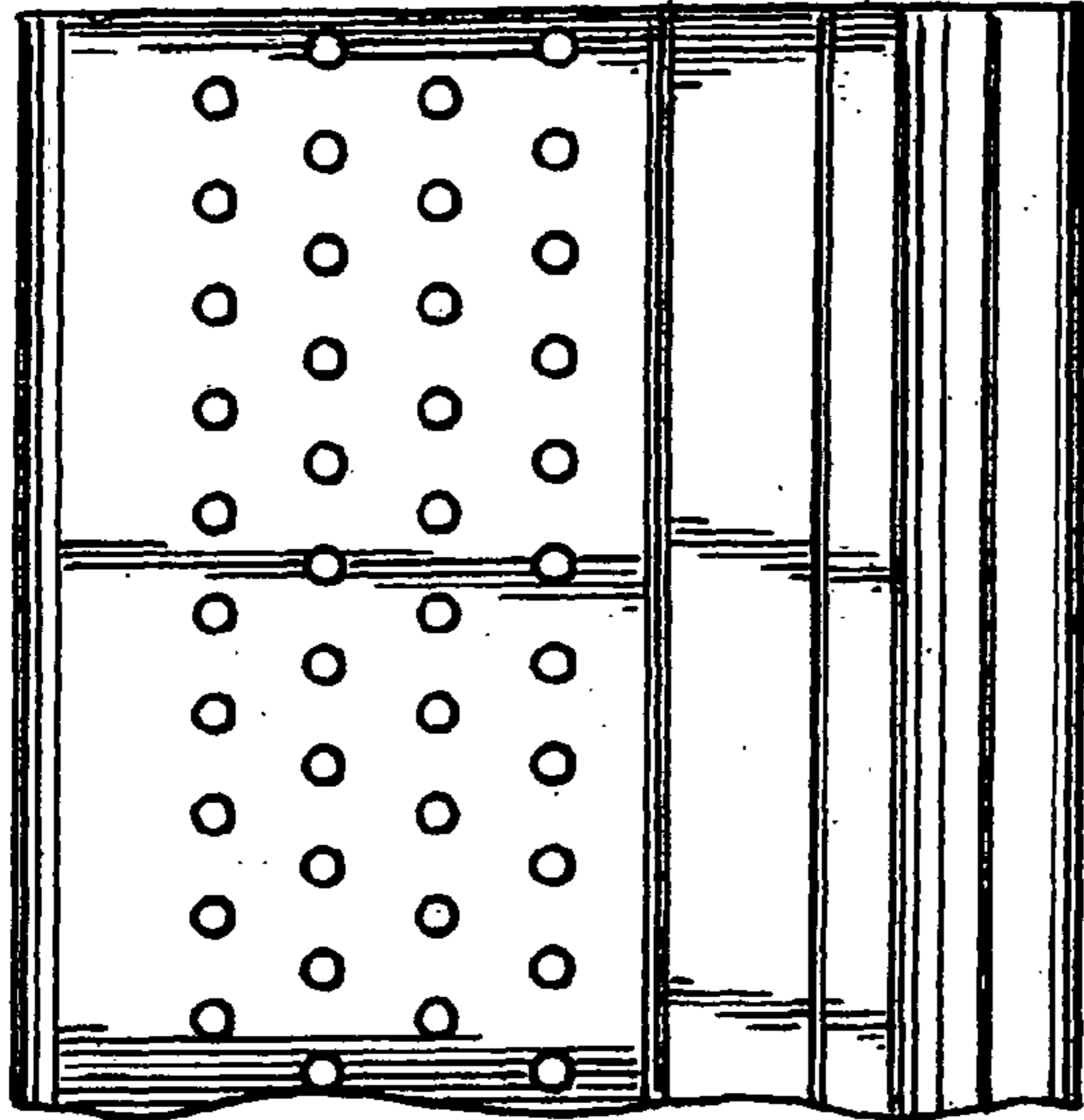


Fig. 3

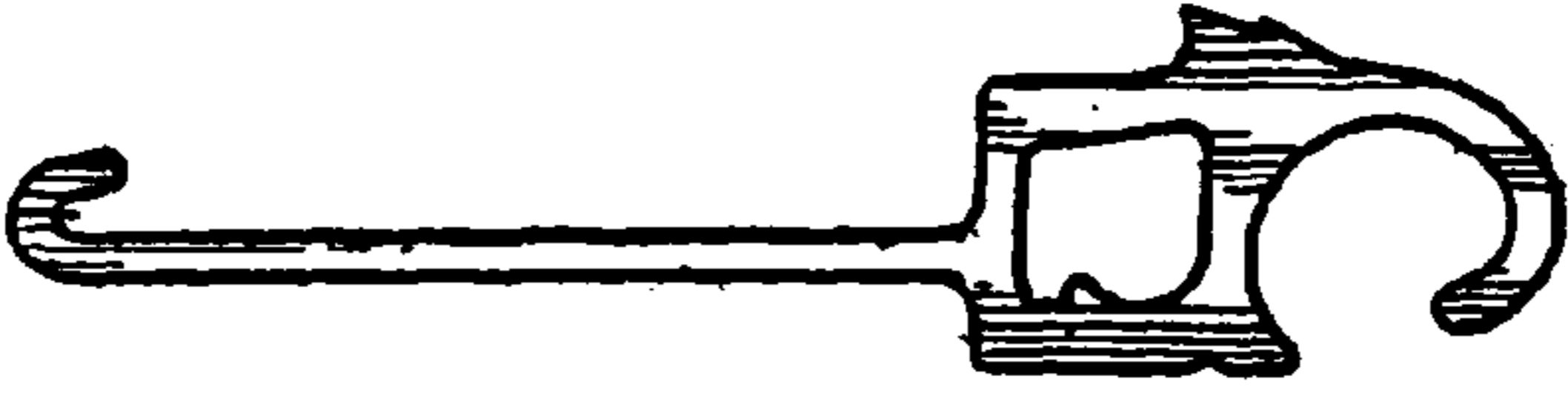
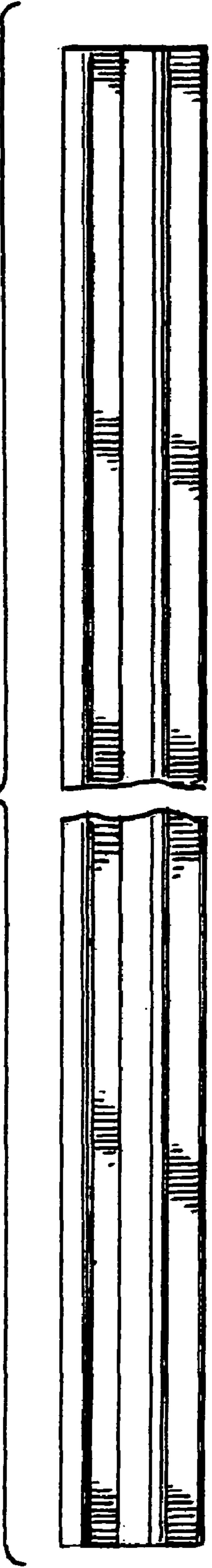


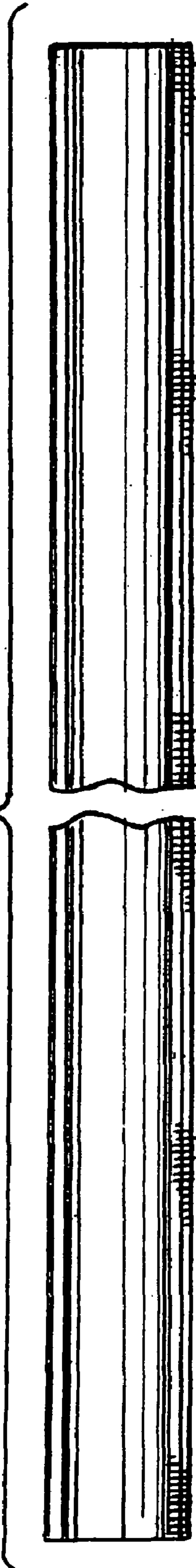
Fig. 1

Fig. 2

*Fig. 4*



*Fig. 5*



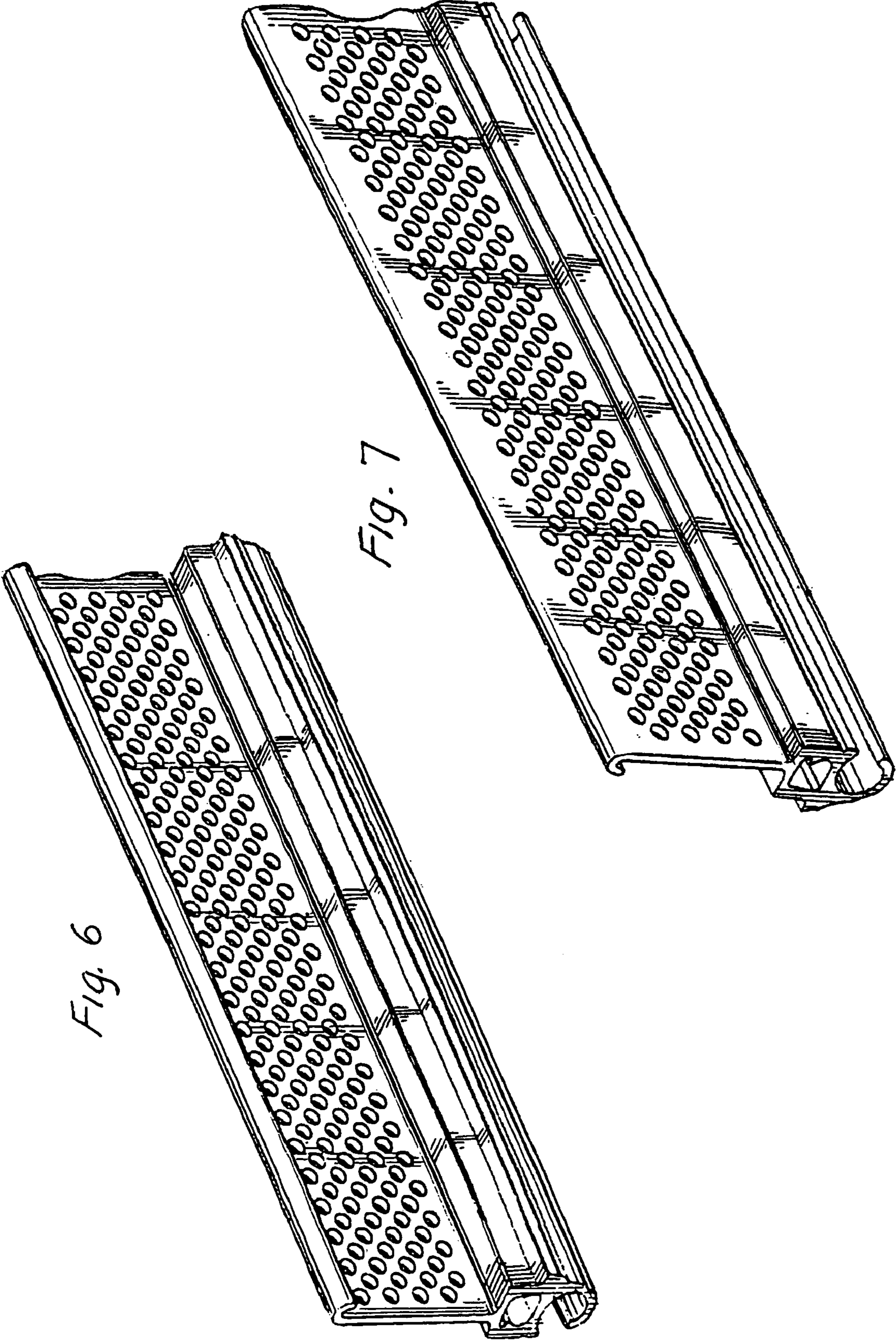


Fig. 6

Fig. 7