



US00D630770S

(12) **United States Design Patent**
Muñoz Escribano

(10) **Patent No.:** **US D630,770 S**

(45) **Date of Patent:** **** Jan. 11, 2011**

(54) **SLAT FOR ROLLER SHUTTERS**

D472,332 S * 3/2003 Wenrick et al. D25/119
6,742,563 B2 * 6/2004 Belanger 160/133

(76) Inventor: **José Antonio Muñoz Escribano**,
Apartado de Correos, 10, E-46900
Torrente (Valencia) (ES)

* cited by examiner

Primary Examiner—Doris Clark

(74) *Attorney, Agent, or Firm*—Breiner & Breiner, LLC

(**) Term: **14 Years**

(21) Appl. No.: **29/347,738**

(57) **CLAIM**

(22) Filed: **Apr. 30, 2010**

The ornamental design for slat for roller shutters, as shown and described.

(30) **Foreign Application Priority Data**

Nov. 26, 2009 (EM) 001180368-0002

DESCRIPTION

(51) **LOC (9) Cl.** **25-01**

FIG. 1 is a front side view of a partial length of the slat for roller shutters;

(52) **U.S. Cl.** **D25/119; D25/49**

FIG. 2 is a rear side view of a partial length of the slat for roller shutters;

(58) **Field of Classification Search** D25/119,
D25/124, 49; 160/133, 238

See application file for complete search history.

FIG. 3 is an end view of the slat for roller shutters, wherein the opposite end is a mirror image thereof;

(56) **References Cited**

U.S. PATENT DOCUMENTS

3,642,050 A * 2/1972 Piana 160/133
D274,267 S * 6/1984 Cushing D25/124
D288,131 S * 2/1987 Magro D25/49
D299,966 S * 2/1989 Litchfield et al. D25/124
D328,139 S * 7/1992 Boer D25/119
5,456,305 A * 10/1995 Snarli 160/133
5,476,130 A * 12/1995 Cheng 160/133
D408,553 S * 4/1999 Lai D25/49
D421,137 S * 2/2000 Marshall D25/119
6,095,225 A * 8/2000 Miller 160/133
D450,857 S * 11/2001 Schoeren D25/49

FIG. 4 is a top plan view of the partial length of the slat for roller shutters as shown in FIG. 1;

FIG. 5 is a bottom plan view of the partial length of the slat for roller shutters as shown in FIG. 1;

FIG. 6 is a rear side perspective view of the slat for roller shutters; and,

FIG. 7 is a front side perspective view of the slat for roller shutters.

The claimed design has been illustrated broken on one end to indicate indeterminate length.

1 Claim, 2 Drawing Sheets

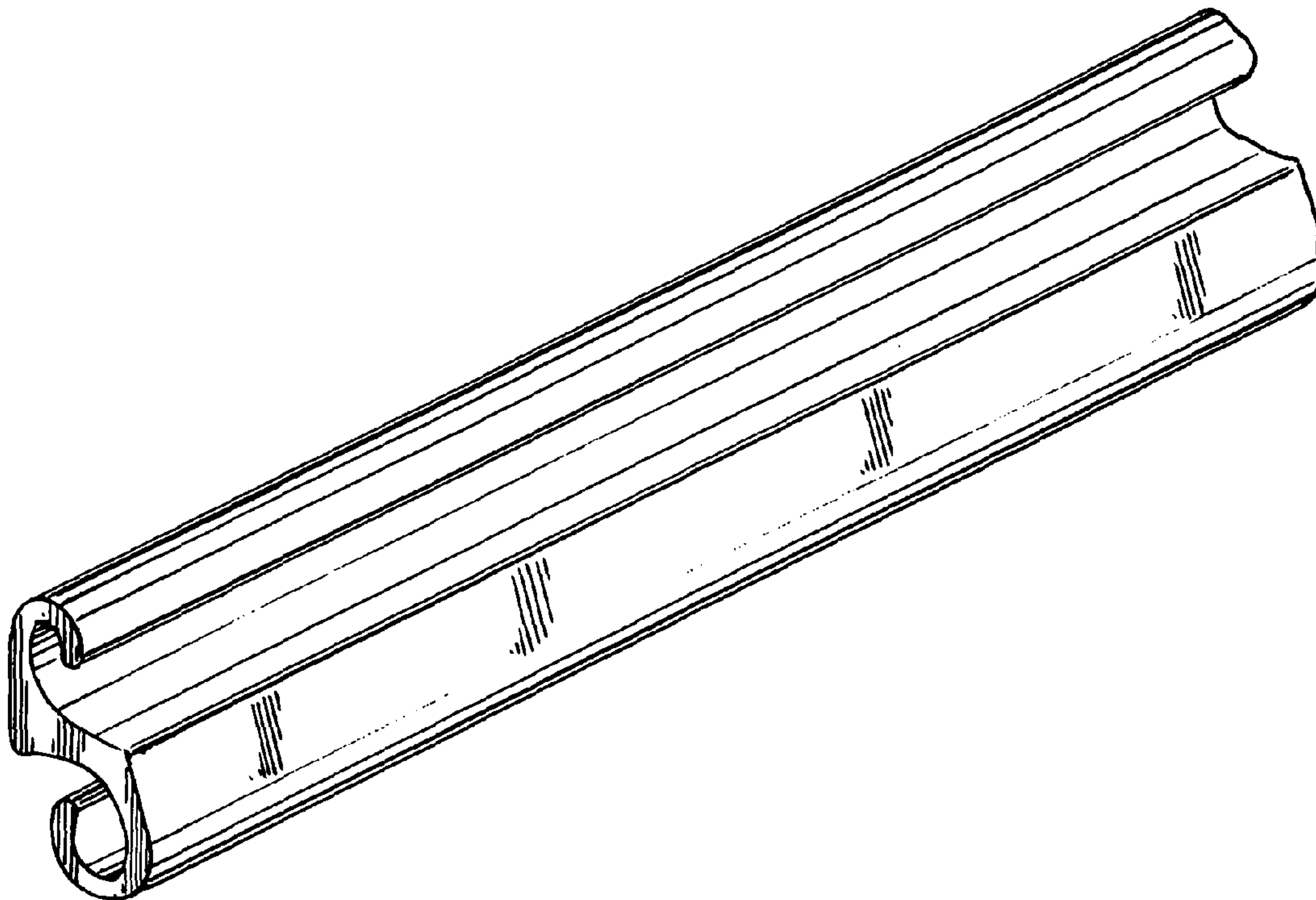


Fig. 1

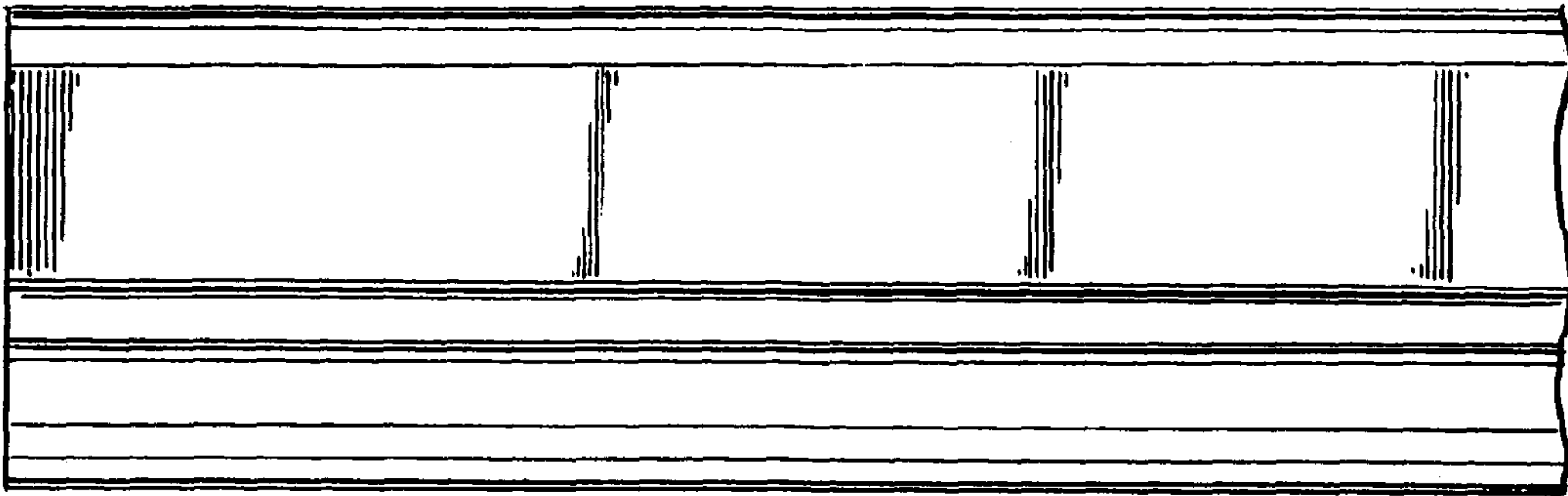


Fig. 2

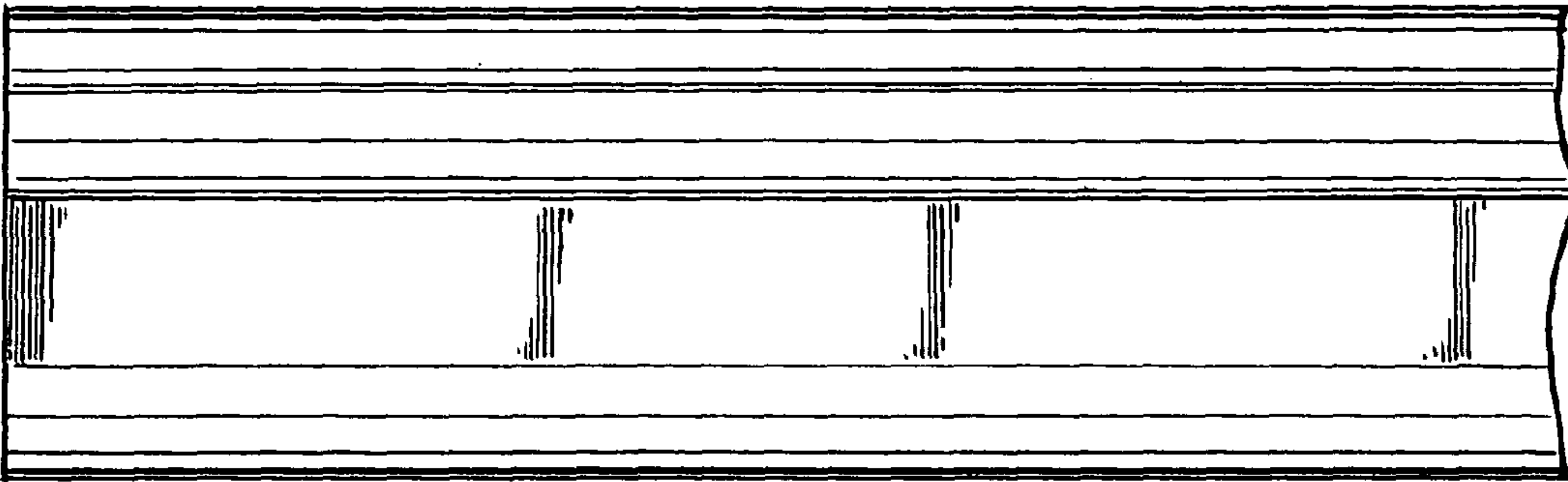


Fig. 3

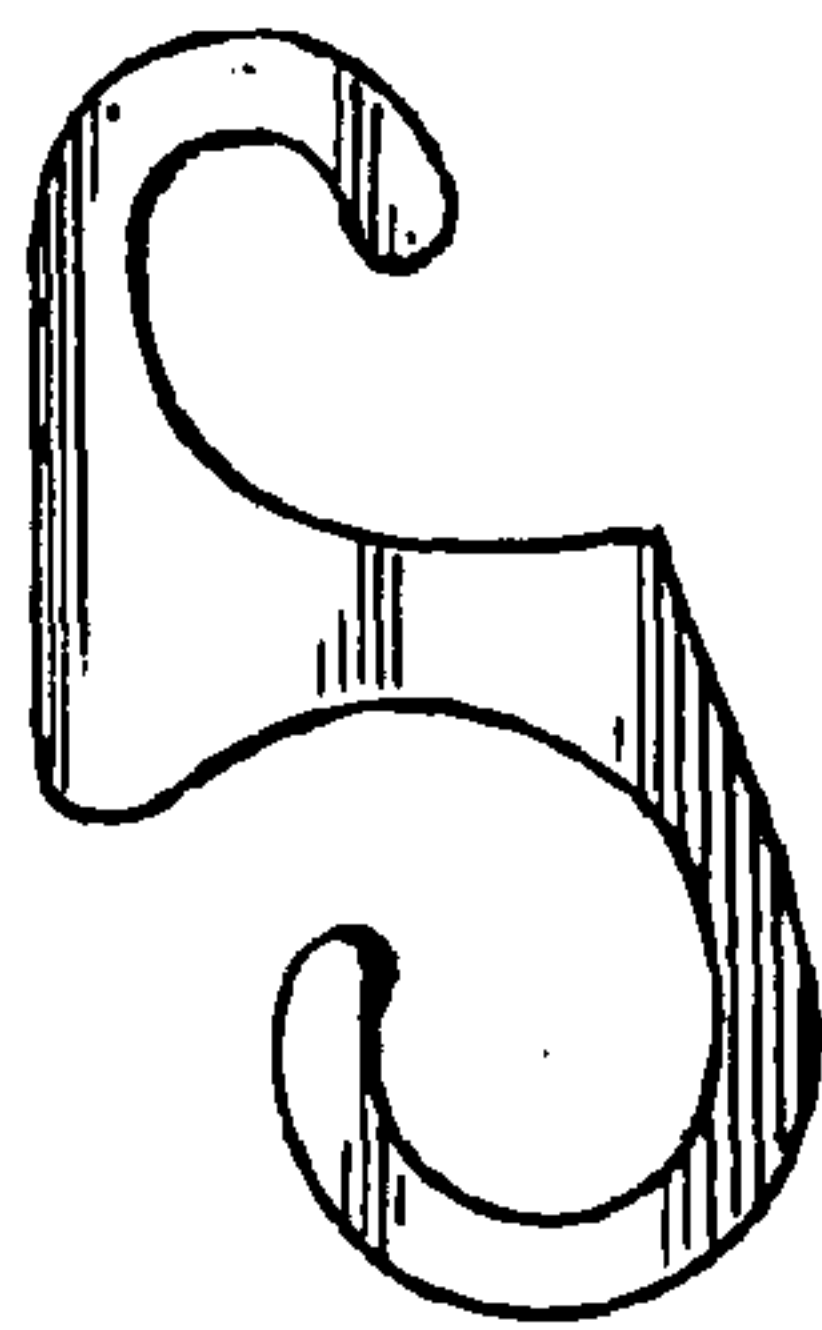


Fig. 4

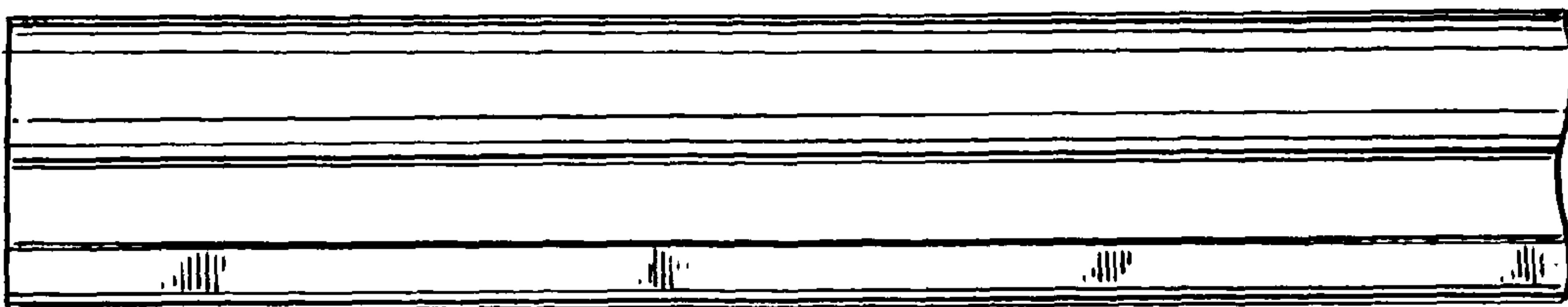


Fig. 5

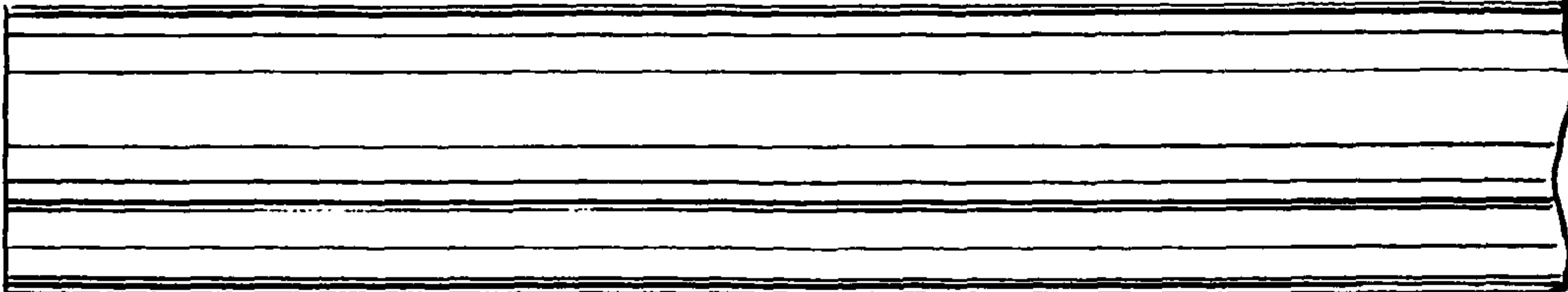


Fig. 6

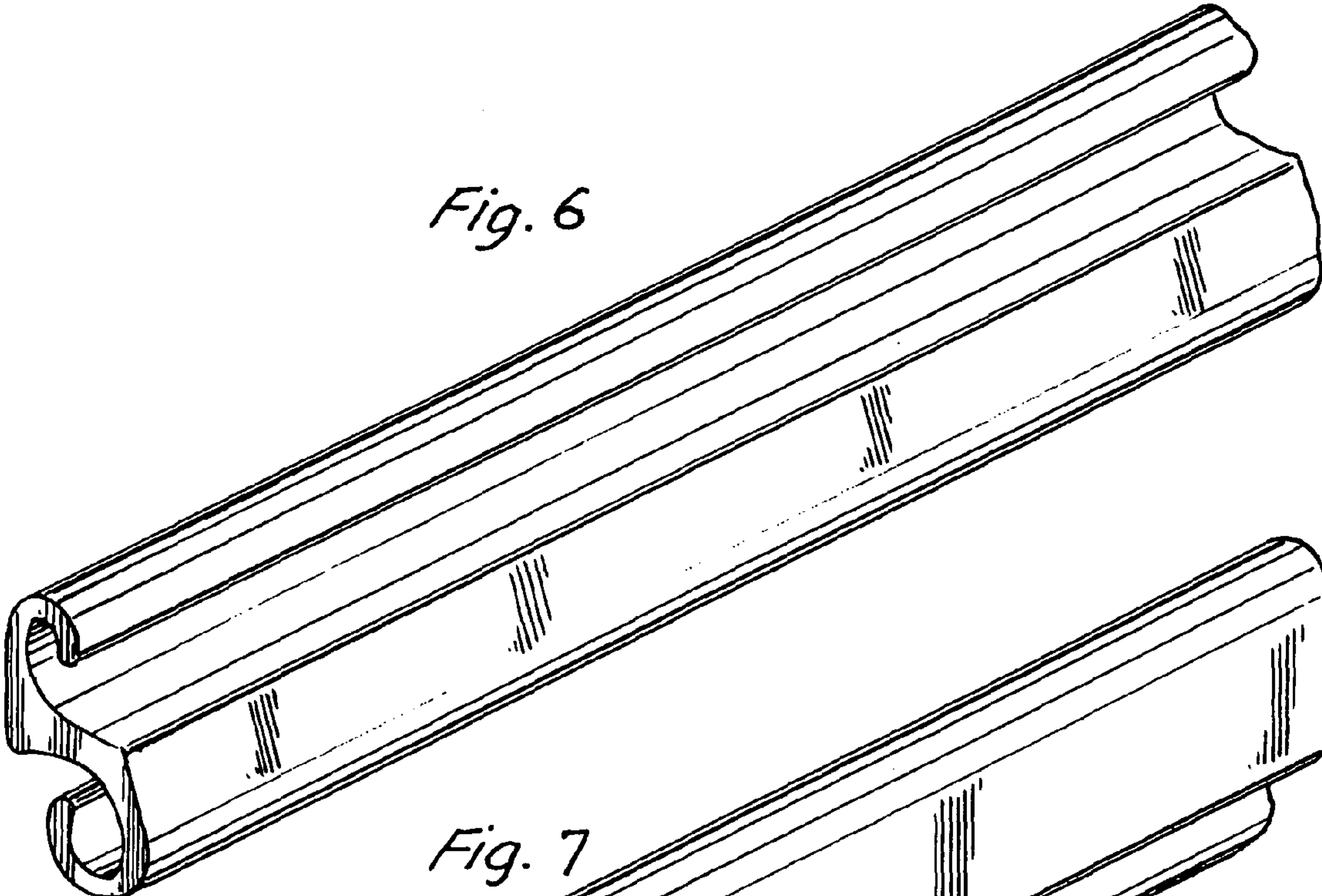


Fig. 7

