



US00D630769S

(12) **United States Design Patent**
Capelle

(10) **Patent No.:** **US D630,769 S**
(45) **Date of Patent:** **** Jan. 11, 2011**

(54) **LADDER BRACKET**

(76) Inventor: **Thomas R. Capelle**, 8506 County Road
3 NW., Oronoco, MN (US) 55960

(**) Term: **14 Years**

(21) Appl. No.: **29/362,028**

(22) Filed: **May 19, 2010**

(51) **LOC (9) Cl.** **25-04**

(52) **U.S. Cl.** **D25/68**

(58) **Field of Classification Search** D25/68;
248/238, 210; 182/107, 129, 186.3, 228.3
See application file for complete search history.

(56) **References Cited**

U.S. PATENT DOCUMENTS

3,964,711	A *	6/1976	Lund	248/210
4,880,200	A *	11/1989	Champagne et al.	248/547
D356,166	S *	3/1995	Spiller	D25/68
5,816,363	A *	10/1998	Searcy	182/129
5,819,873	A *	10/1998	Higgins	182/129
6,009,974	A	1/2000	Jones		
7,093,689	B2	8/2006	Poldmaa		
2008/0202851	A1	8/2008	Schwenke et al.		

OTHER PUBLICATIONS

Ladder Lock USA, ladderlockusa.com; retrieved May 5, 2010.

* cited by examiner

Primary Examiner—Doris Clark

(74) *Attorney, Agent, or Firm*—Oppenheimer Wolff &
Donnelly LLP

(57) **CLAIM**

The ornamental design for a ladder bracket, as shown and
described.

DESCRIPTION

FIG. 1 is a perspective view of a ladder bracket showing my
new design;

FIG. 2 is a top plan view thereof;

FIG. 3 is a bottom plan view thereof;

FIG. 4 is a front view thereof;

FIG. 5 is a rear view thereof;

FIG. 6 is a right side view thereof;

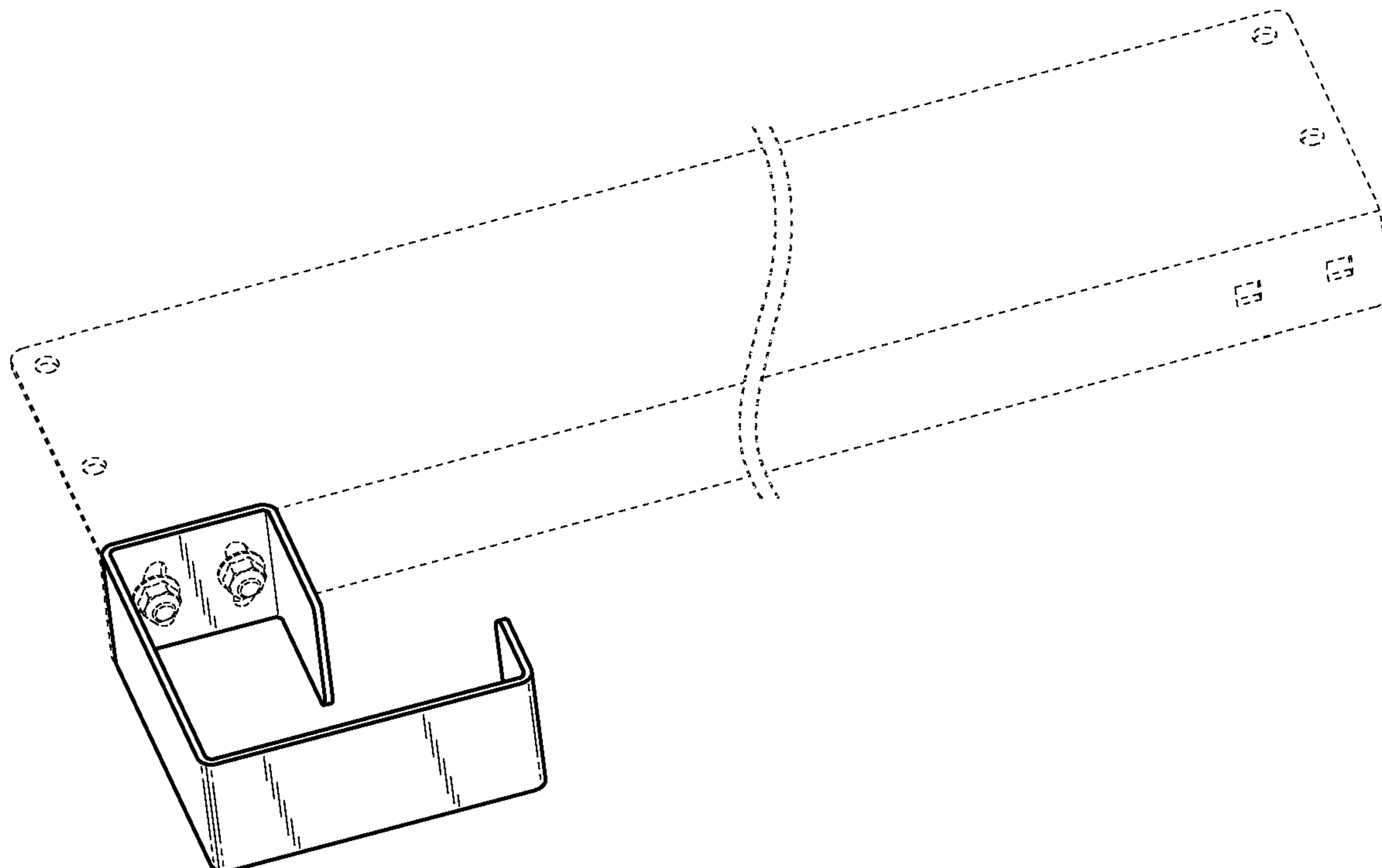
FIG. 7 is a left side view thereof;

FIG. 8 is another perspective view of the ladder bracket
thereof; and,

FIG. 9 is another perspective view of the ladder bracket
thereof.

The broken lines are for illustrative purposes only and form
no part of the claimed design.

1 Claim, 7 Drawing Sheets



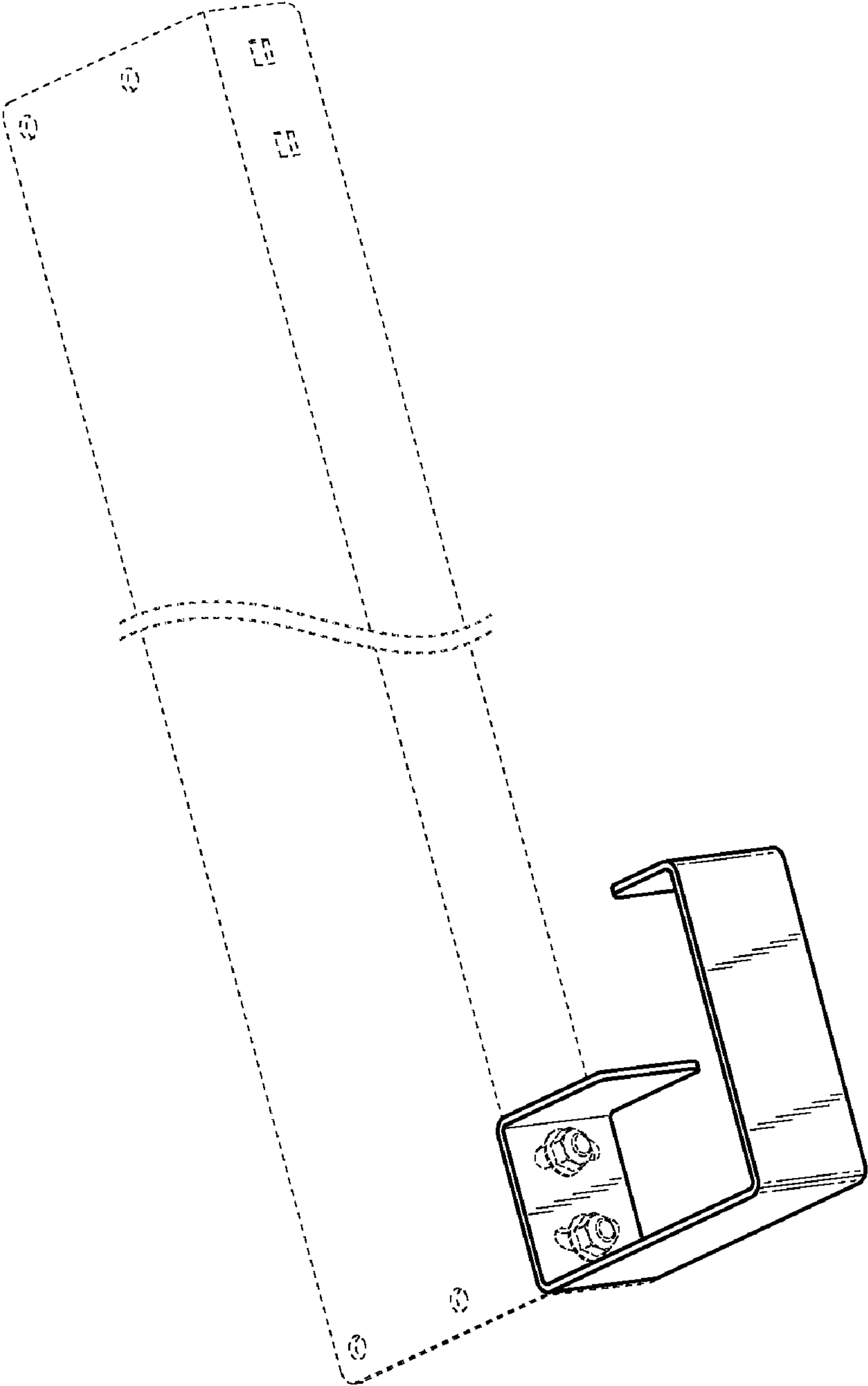


Fig. 1

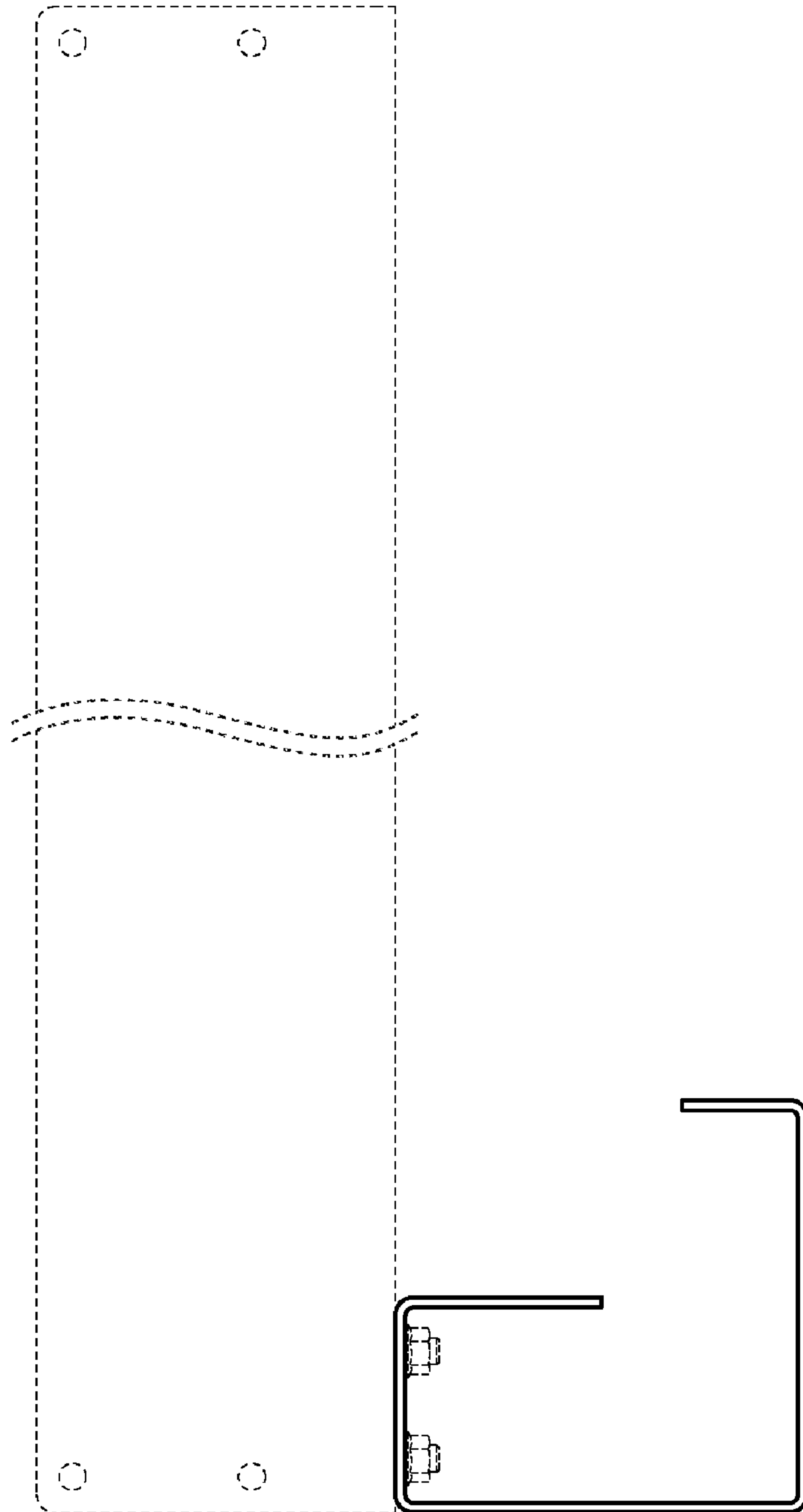


Fig. 2

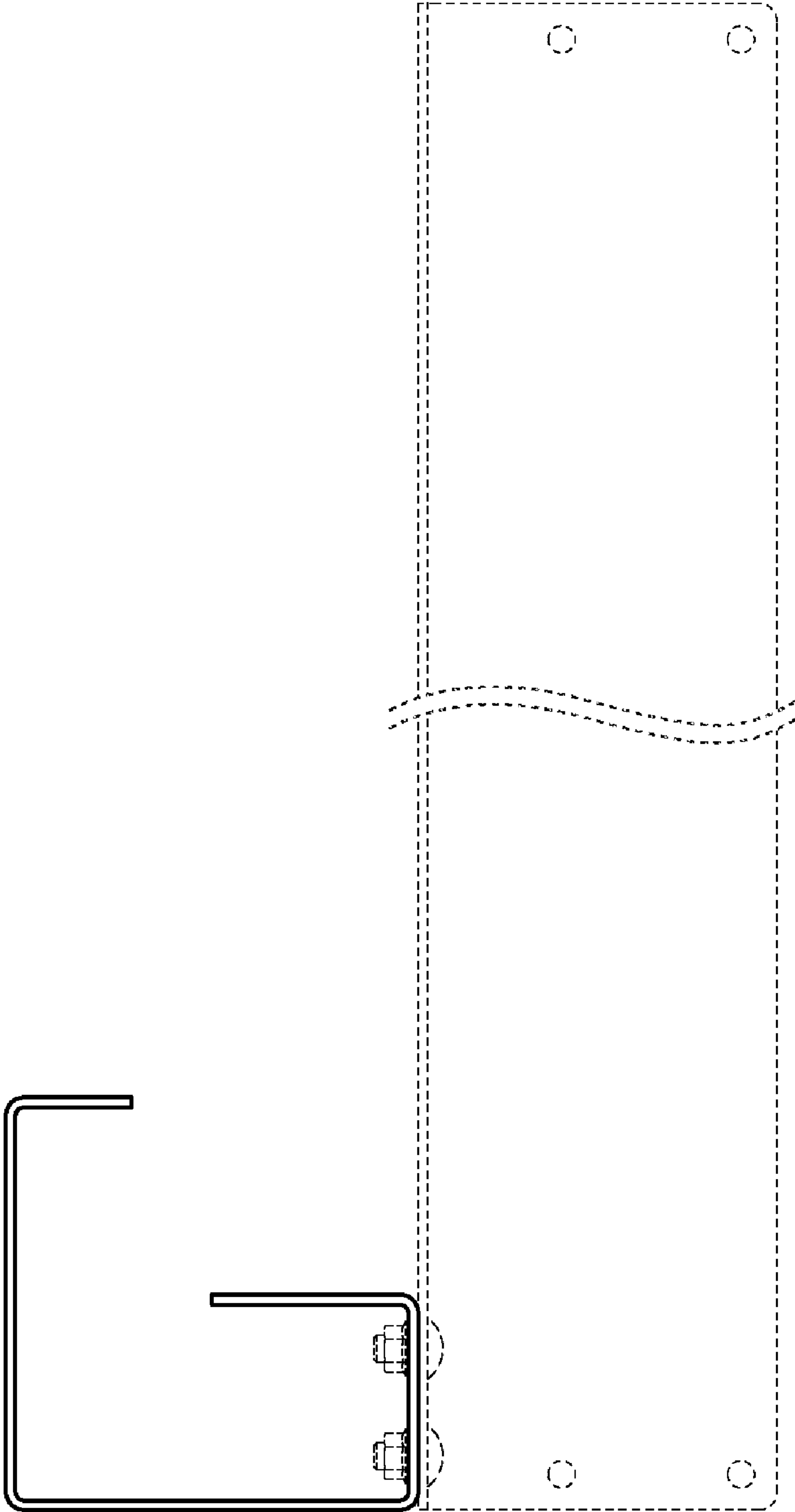


Fig. 3

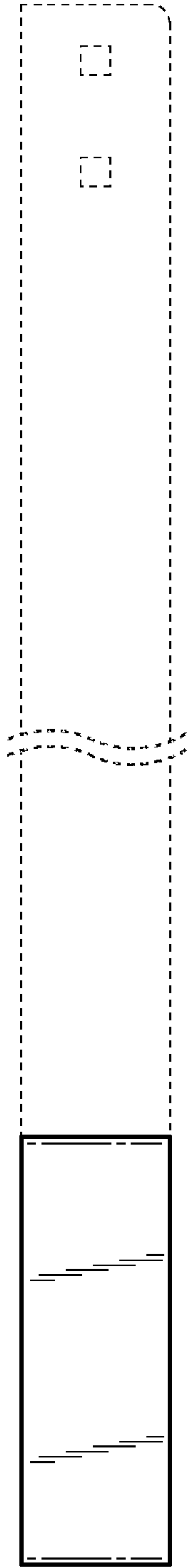


Fig. 4

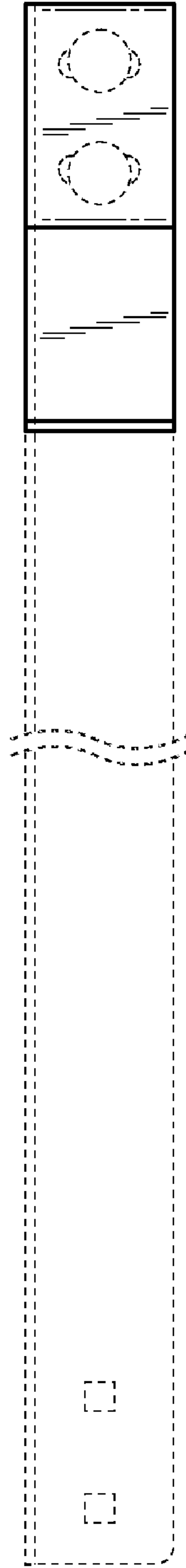


Fig. 5

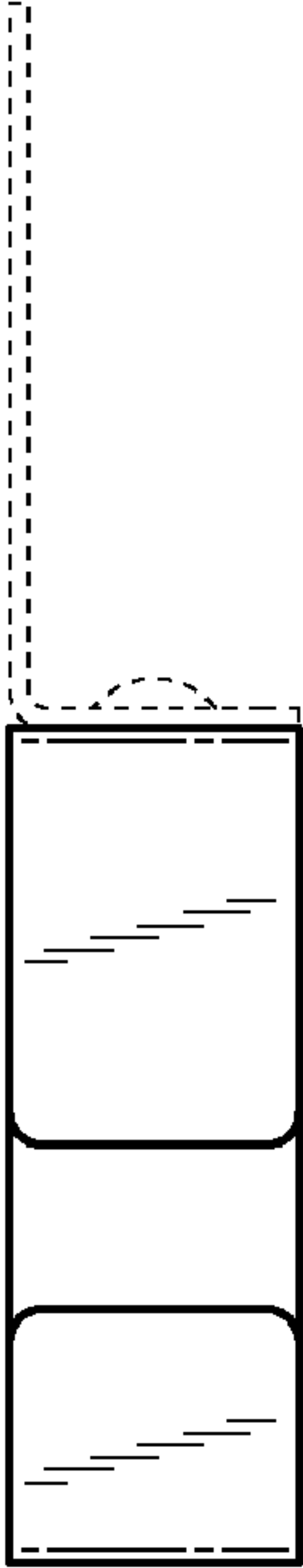


Fig. 6

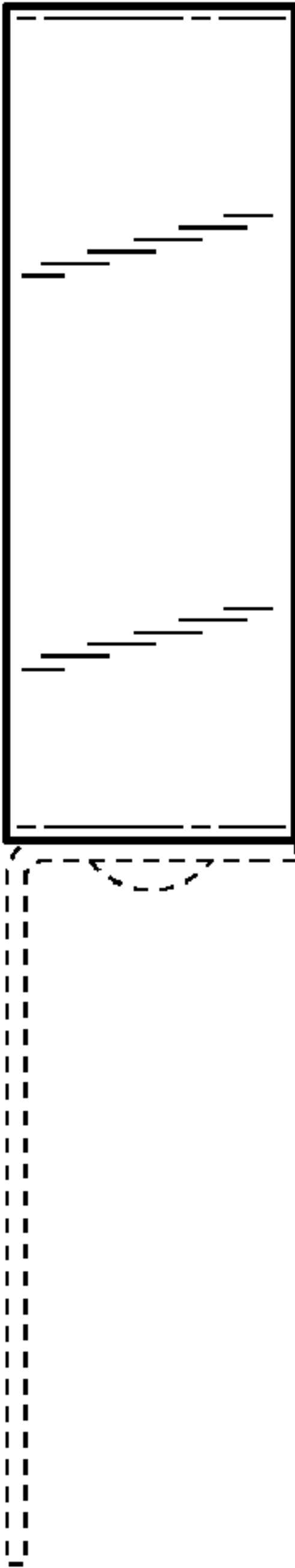


Fig. 7

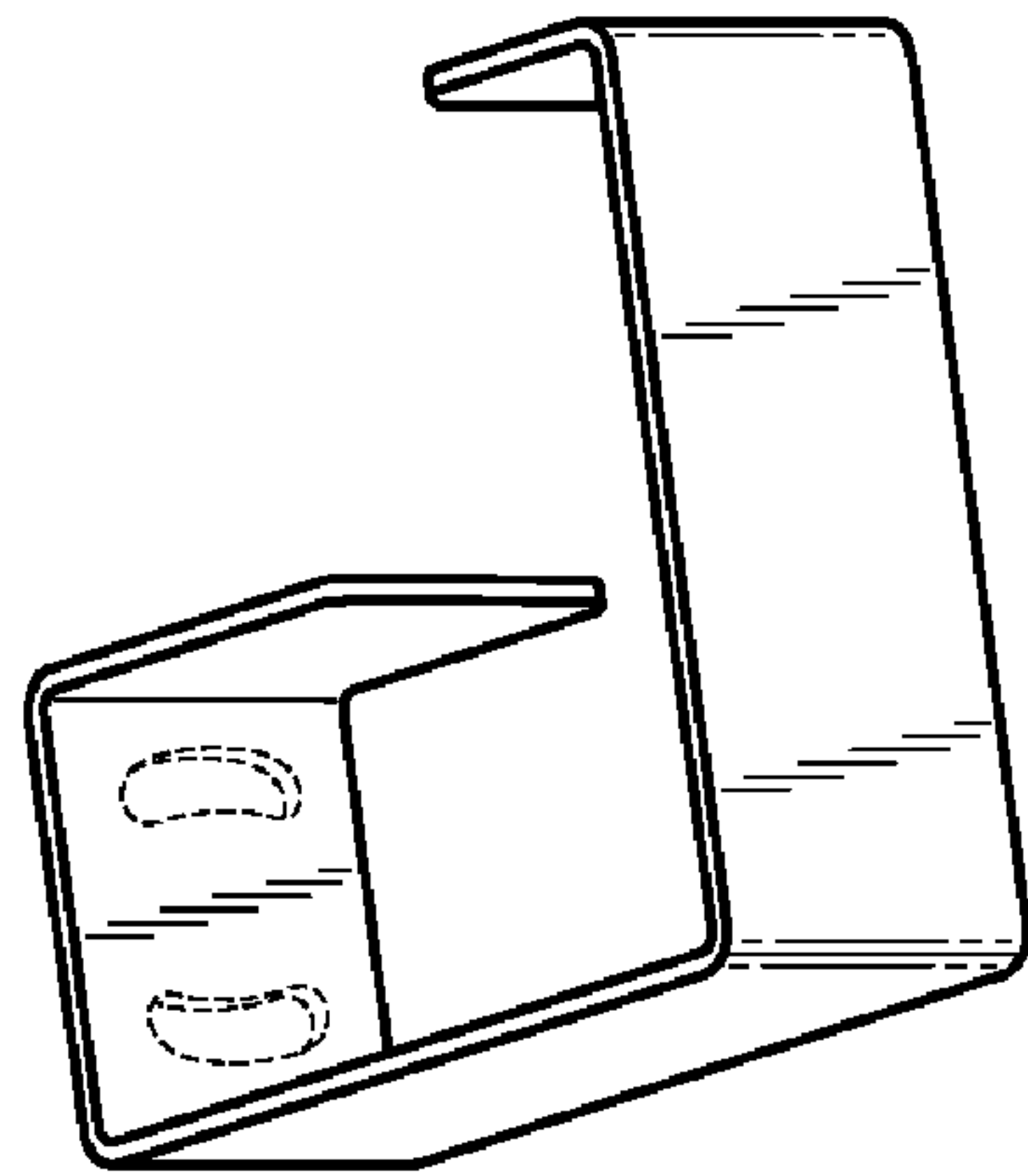


Fig. 8

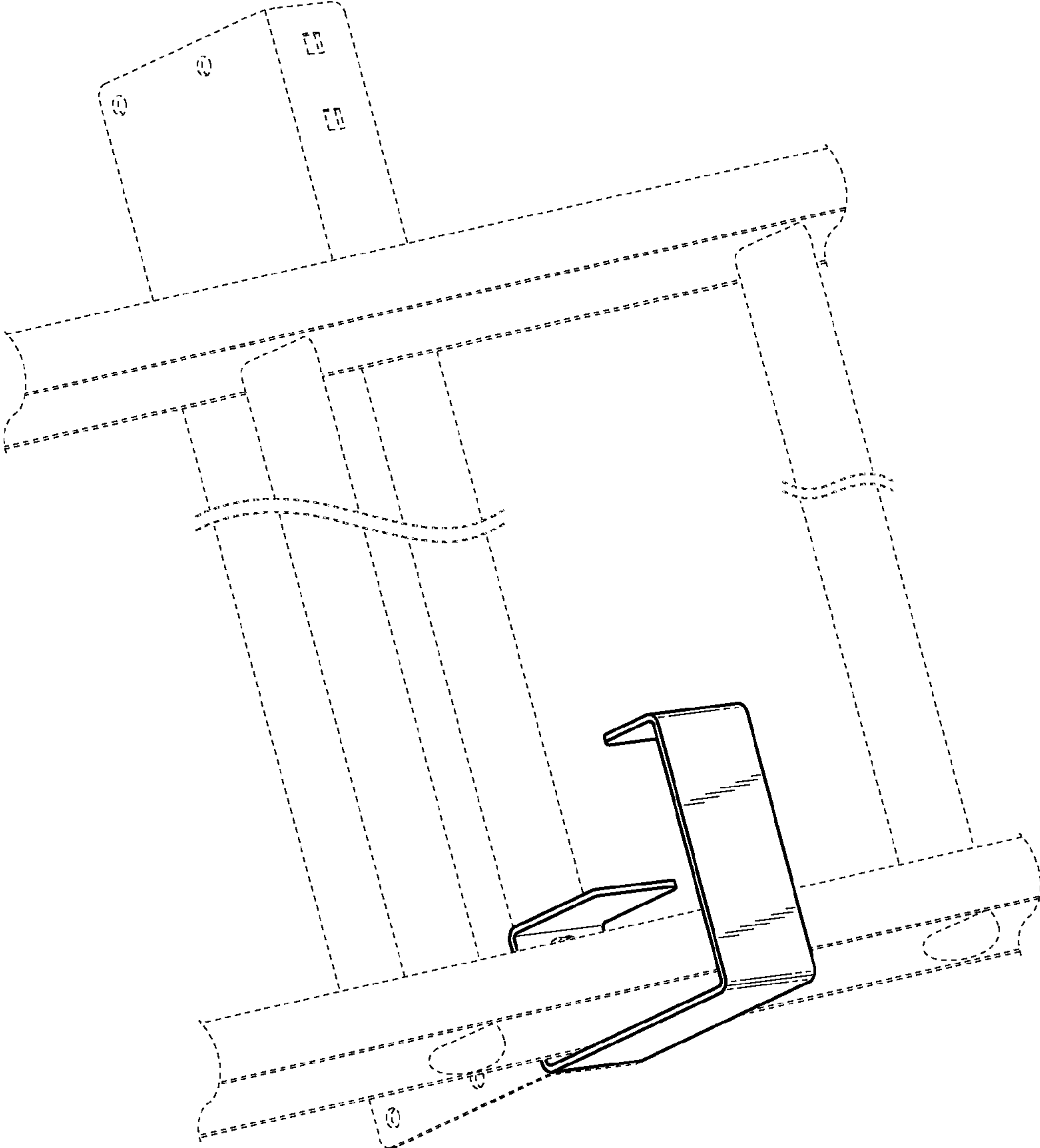


Fig. 9