



US00D630765S

(12) **United States Design Patent**  
**Winkenbach et al.**

(10) **Patent No.:** **US D630,765 S**  
(45) **Date of Patent:** **\*\* Jan. 11, 2011**

(54) **CONTAINER FOR LIQUIDS**

(75) Inventors: **Markus Winkenbach**, Buerstadt (DE);  
**Reinhold Kraemer**, Peissenberg (DE);  
**Stephan Sattler**, Starnberg (DE);  
**Gottfried Senftner**, Lampertheim (DE)

(73) Assignee: **Roche Diagnostics Operations, Inc.**,  
Indianapolis, IN (US)

(\*\*) Term: **14 Years**

(21) Appl. No.: **29/332,143**

(22) Filed: **Feb. 10, 2009**

(30) **Foreign Application Priority Data**

Sep. 1, 2008 (EM) ..... 000 994 264

(51) **LOC (9) Cl.** ..... **24-01**

(52) **U.S. Cl.** ..... **D24/224**

(58) **Field of Classification Search** ..... D24/216,  
D24/222-226, 231, 232, 169; D10/80, 81;  
422/99, 100, 102, 56, 58, 61, 68.1, 69; 435/288.1,  
435/288.3, 289.1; D9/500, 516, 517, 520,  
D9/572, 575

See application file for complete search history.

(56) **References Cited**

**U.S. PATENT DOCUMENTS**

D275,367	S	*	9/1984	Holewinski	.....	D24/226
D296,668	S	*	7/1988	Stavish	.....	D24/224
D355,260	S	*	2/1995	Tomasso	.....	D24/224
5,578,272	A	*	11/1996	Koch et al.	.....	422/102
D382,061	S	*	8/1997	Mathis et al.	.....	D24/224
D400,263	S	*	10/1998	Shugart	.....	D24/224
D433,149	S	*	10/2000	Fassbind et al.	.....	D24/224
7,014,373	B2	*	3/2006	Piccinino et al.	.....	396/564
2004/0241864	A1	*	12/2004	Sattler et al.	.....	436/43
2005/0142040	A1	*	6/2005	Hanawa et al.	.....	422/102

\* cited by examiner

*Primary Examiner*—T. Chase Nelson

*Assistant Examiner*—Anhdao Doan

(74) *Attorney, Agent, or Firm*—Dinsmore & Shohl LLP

(57) **CLAIM**

The ornamental design for a container for liquids, as shown and described.

**DESCRIPTION**

FIG. 1 is a perspective of a first embodiment of a container for liquids showing our new design;

FIG. 2 is a right side view thereof, the left side view being a mirror image;

FIG. 3 is a front view thereof, the rear view being a mirror image;

FIG. 4 is a top view thereof;

FIG. 5 is a bottom view thereof;

FIG. 6 is a first exploded perspective thereof;

FIG. 7 is a second exploded perspective view thereof;

FIG. 8 is a third exploded perspective view thereof;

FIG. 9 is a perspective of a second embodiment of a container for liquids showing our new design;

FIG. 10 is a right side view thereof, the left side view being a mirror image;

FIG. 11 is a front view thereof, the rear view being a mirror image;

FIG. 12 is a top view thereof;

FIG. 13 is a bottom view thereof;

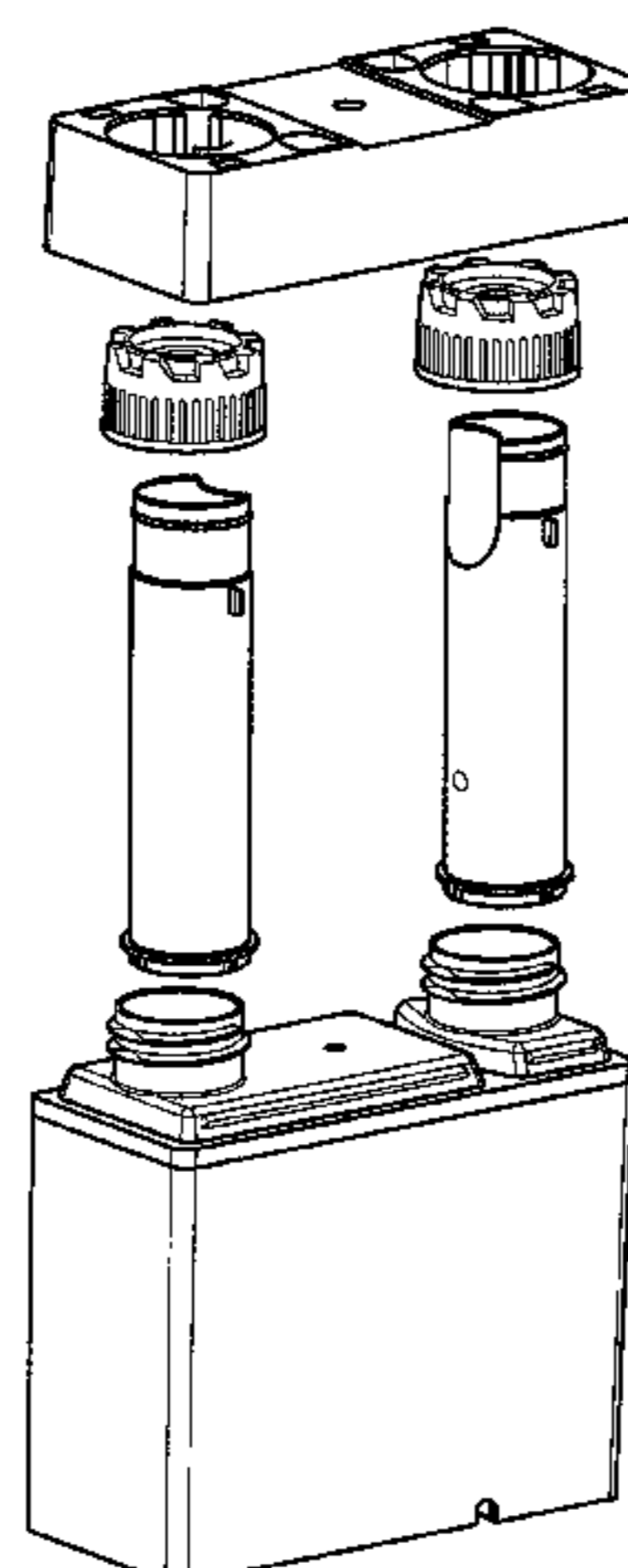
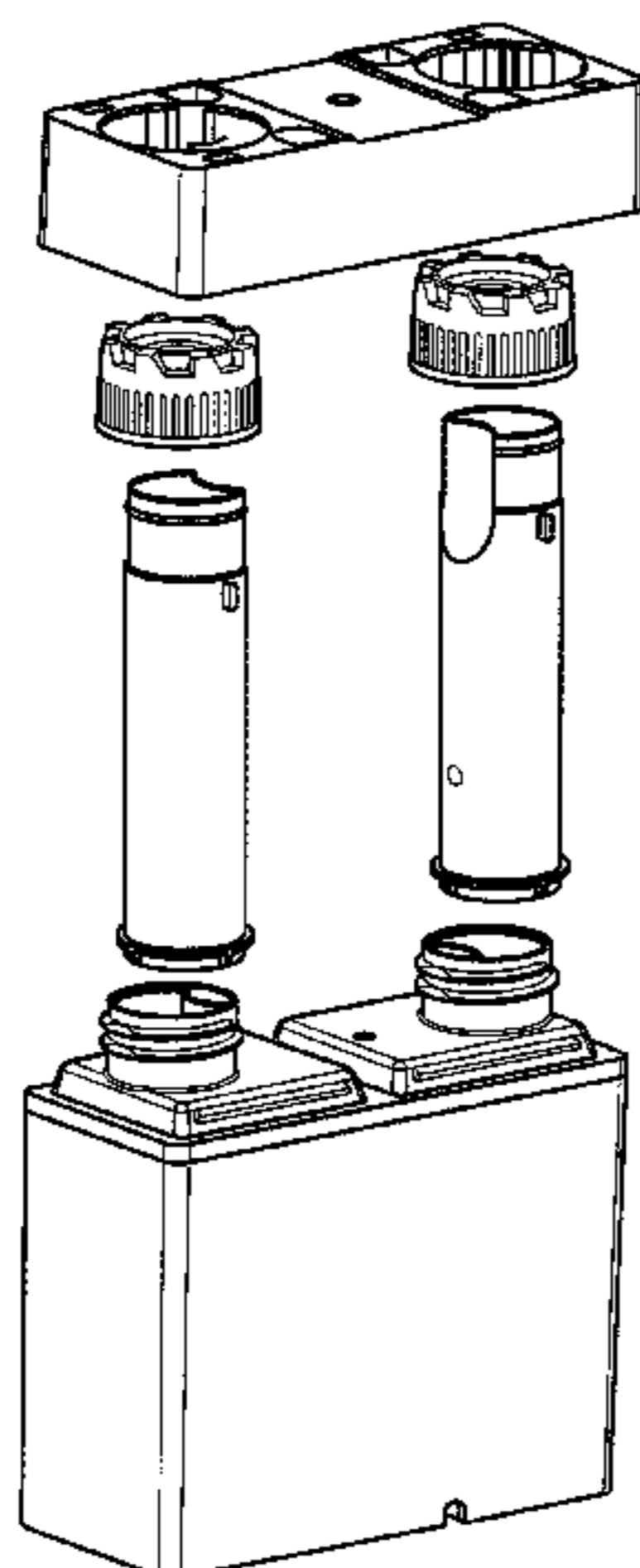
FIG. 14 is a first exploded perspective view thereof;

FIG. 15 is a second exploded perspective view thereof; and,

FIG. 16 is a third exploded perspective view thereof.

The broken lines in FIGS. 4, 5, 12 and 13 are included for the purpose of illustrating portions of the container for liquids that form no part of the claimed design.

**1 Claim, 14 Drawing Sheets**



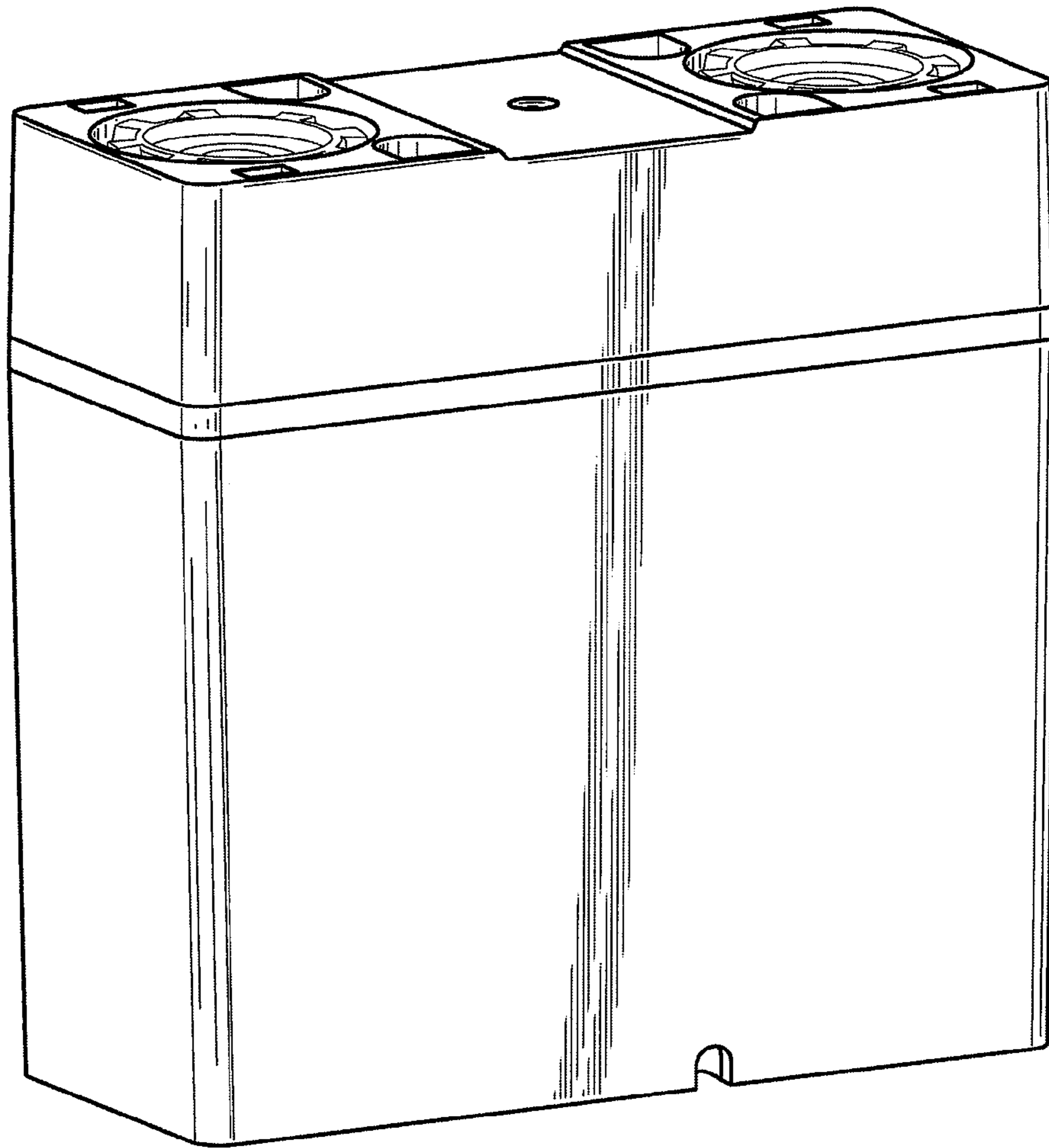
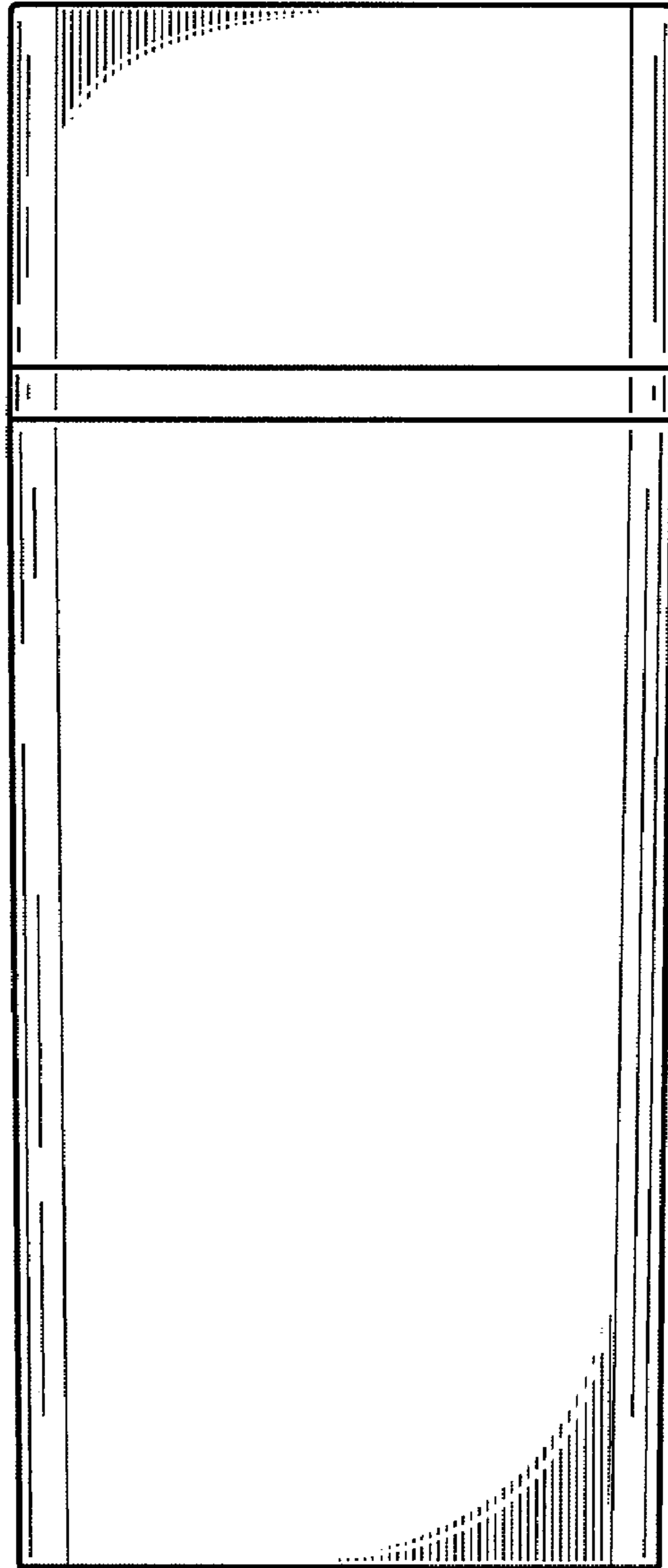


Fig. 1



**Fig. 2**

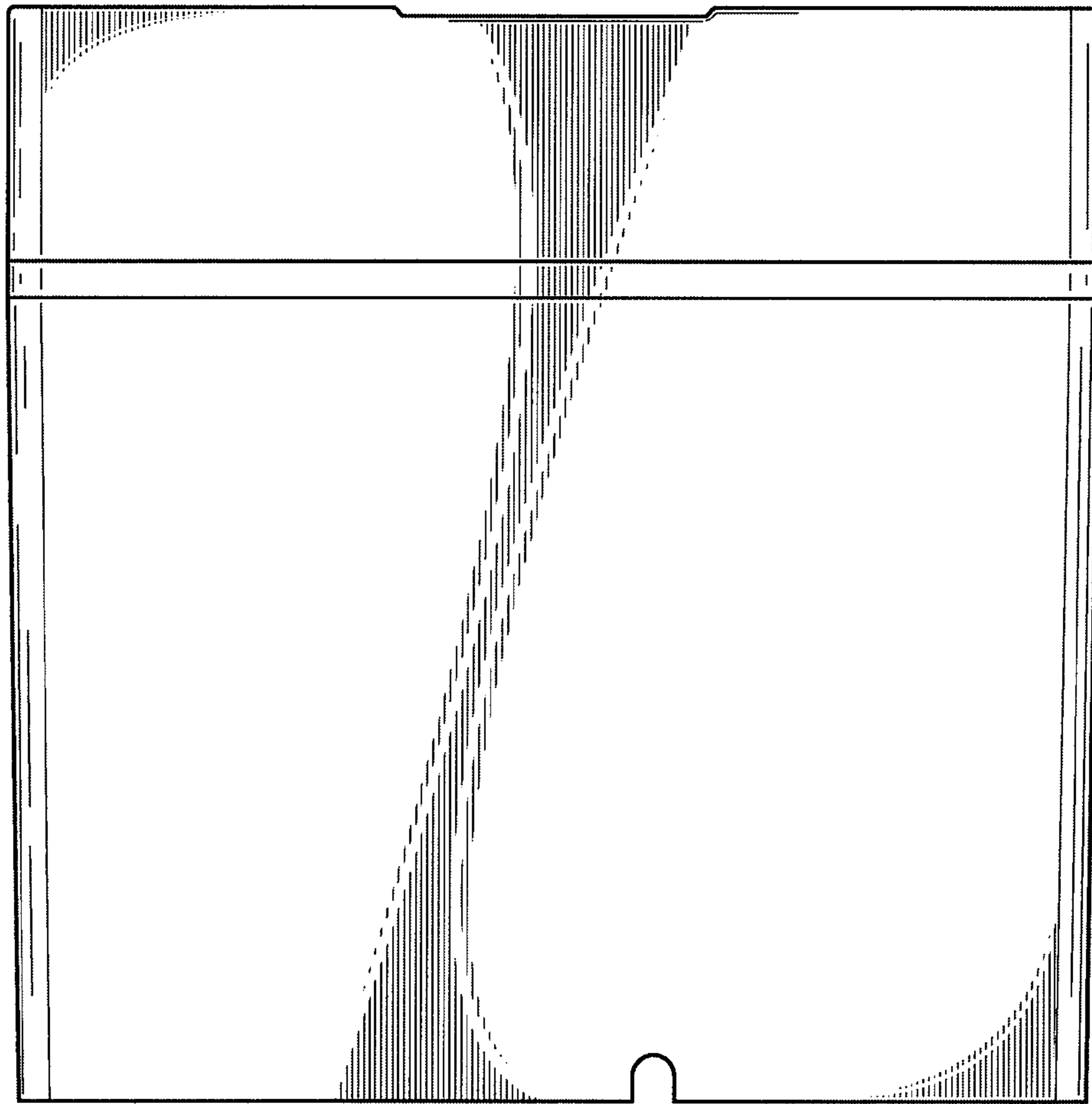
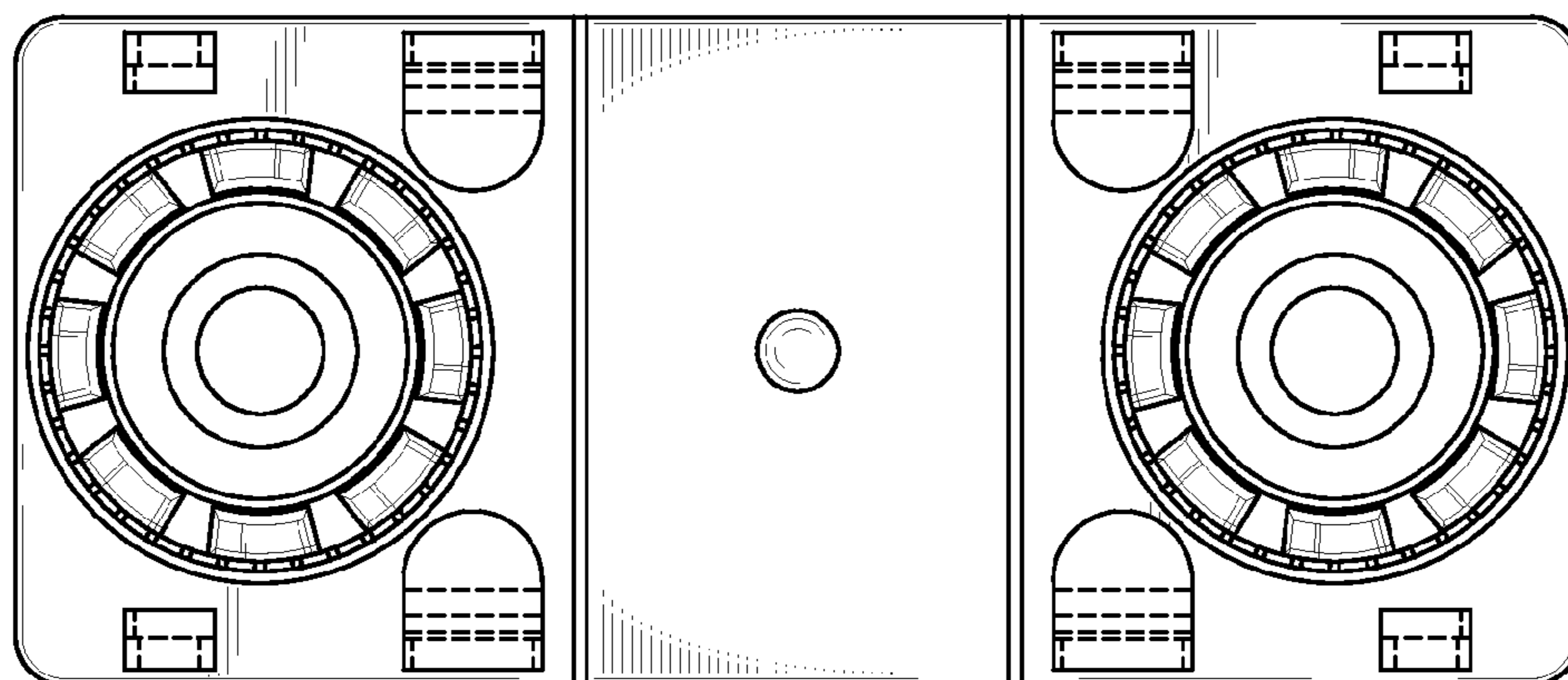
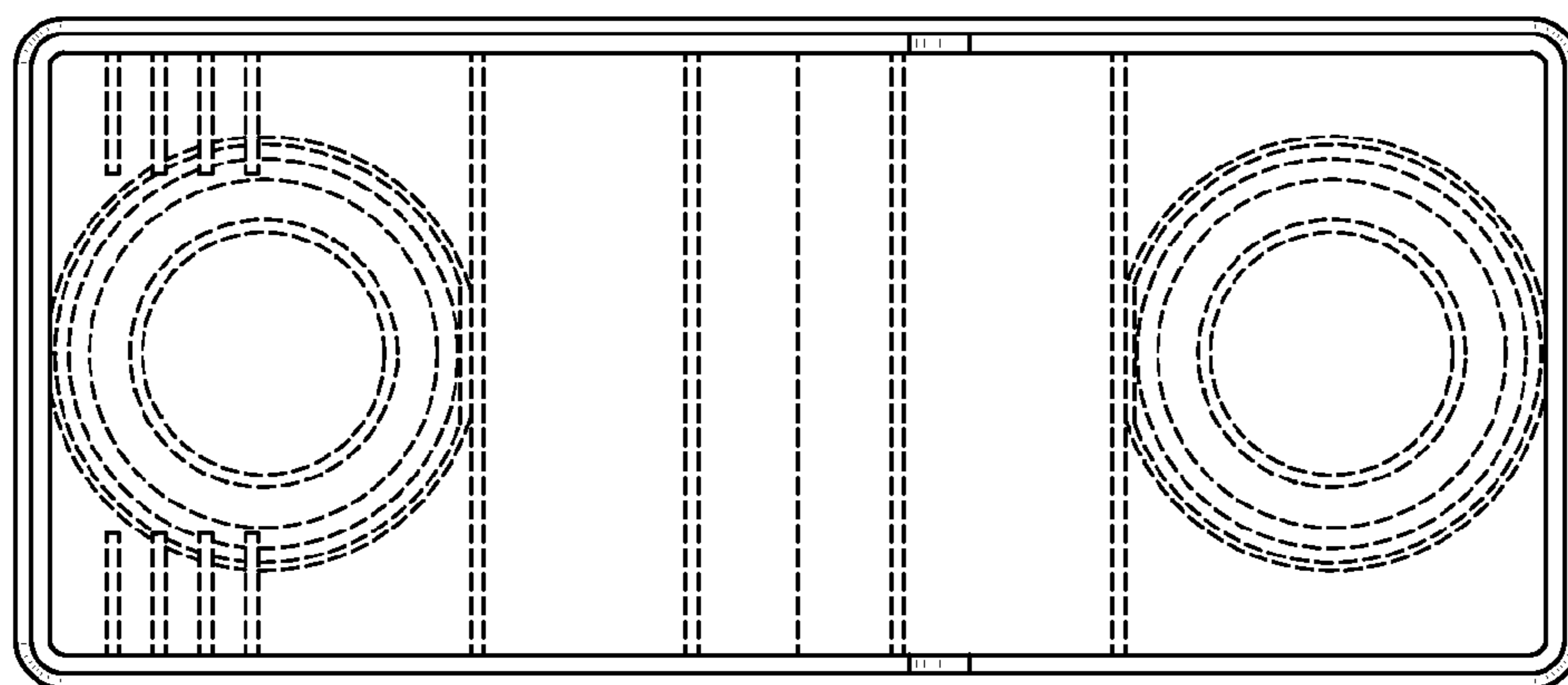


Fig. 3



**Fig. 4**



**Fig. 5**

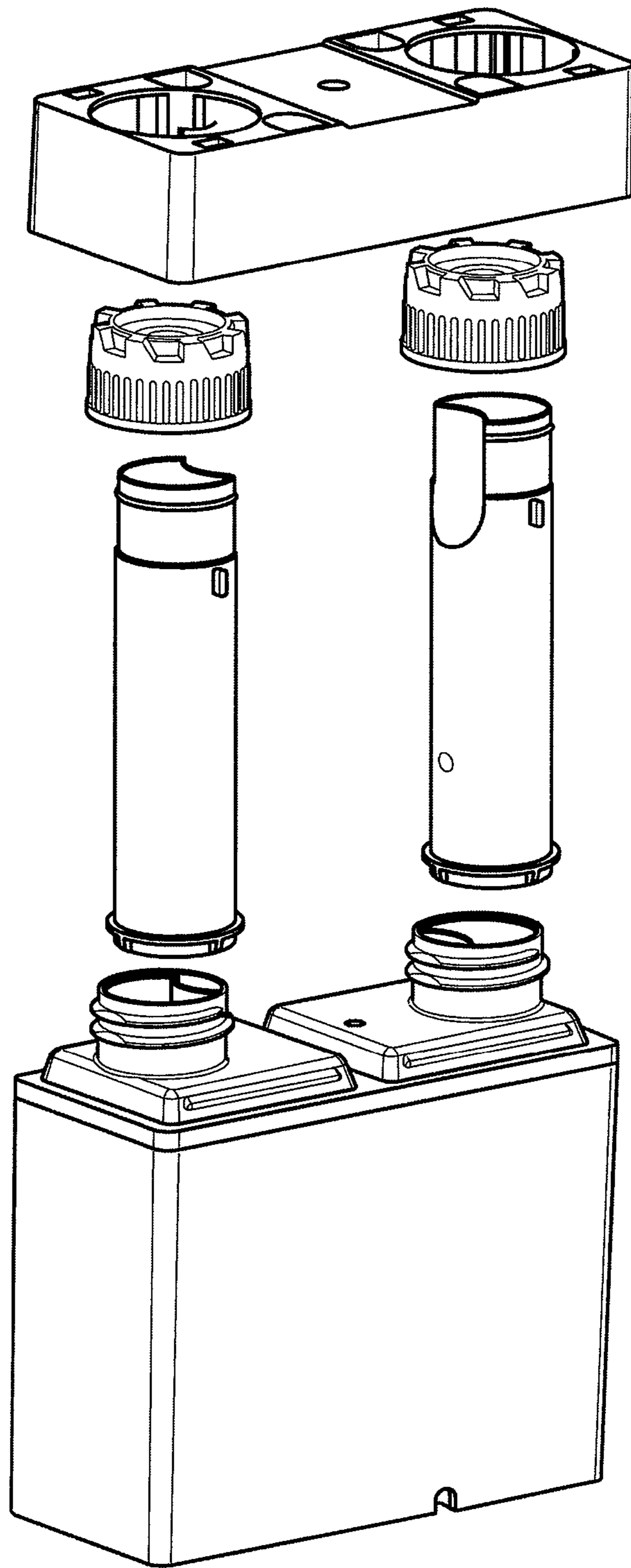
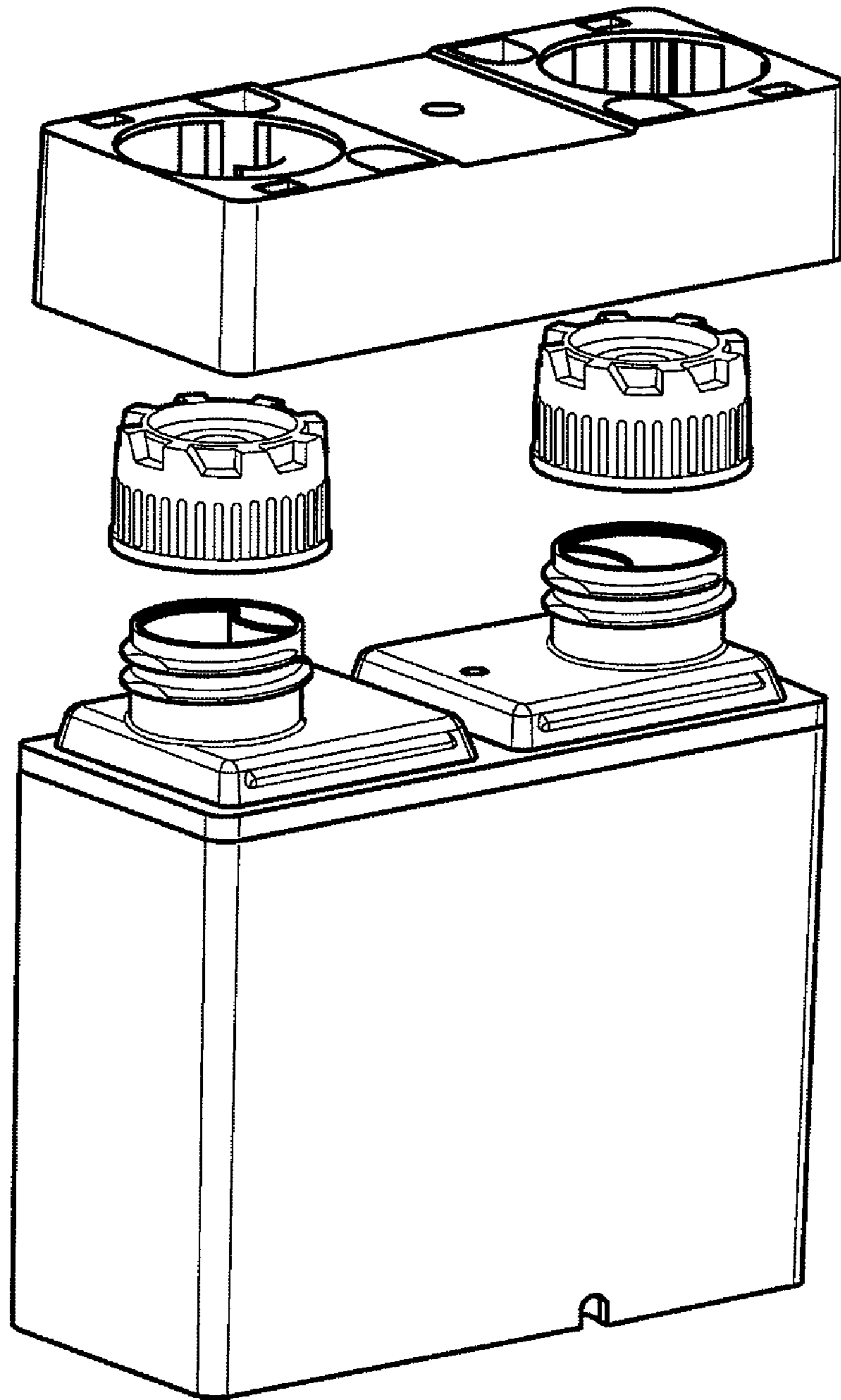


Fig. 6



**Fig. 7**

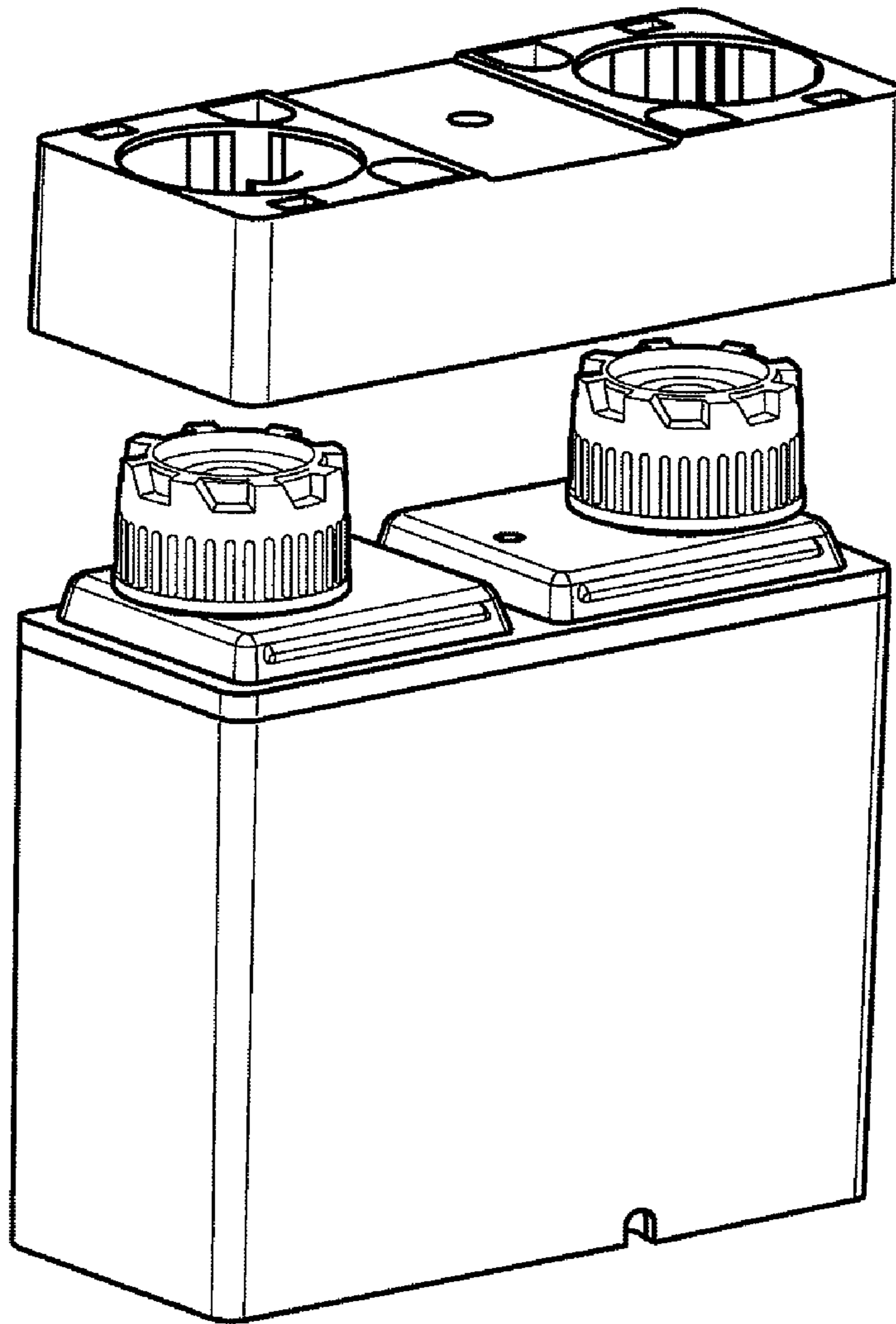


Fig. 8



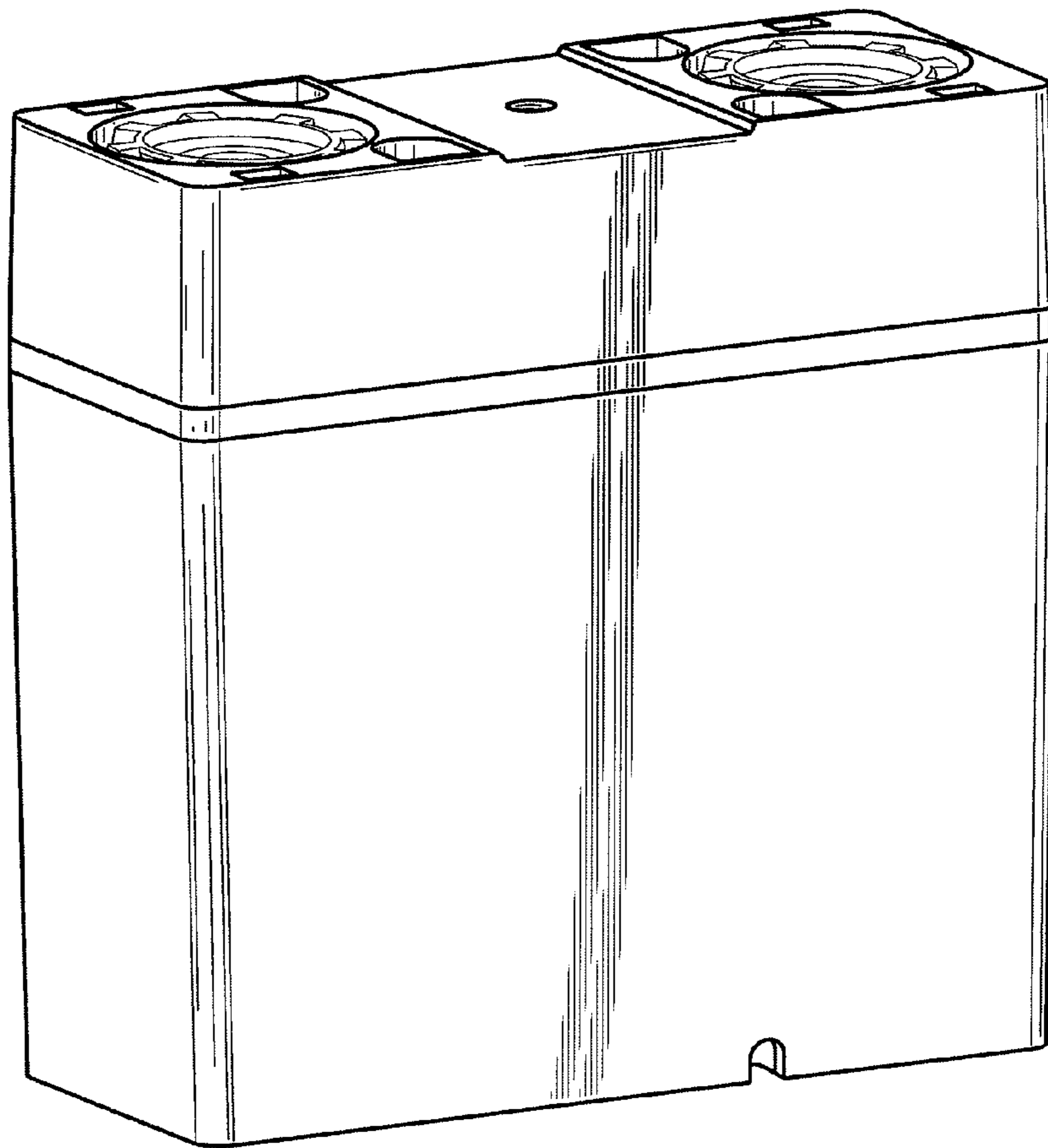
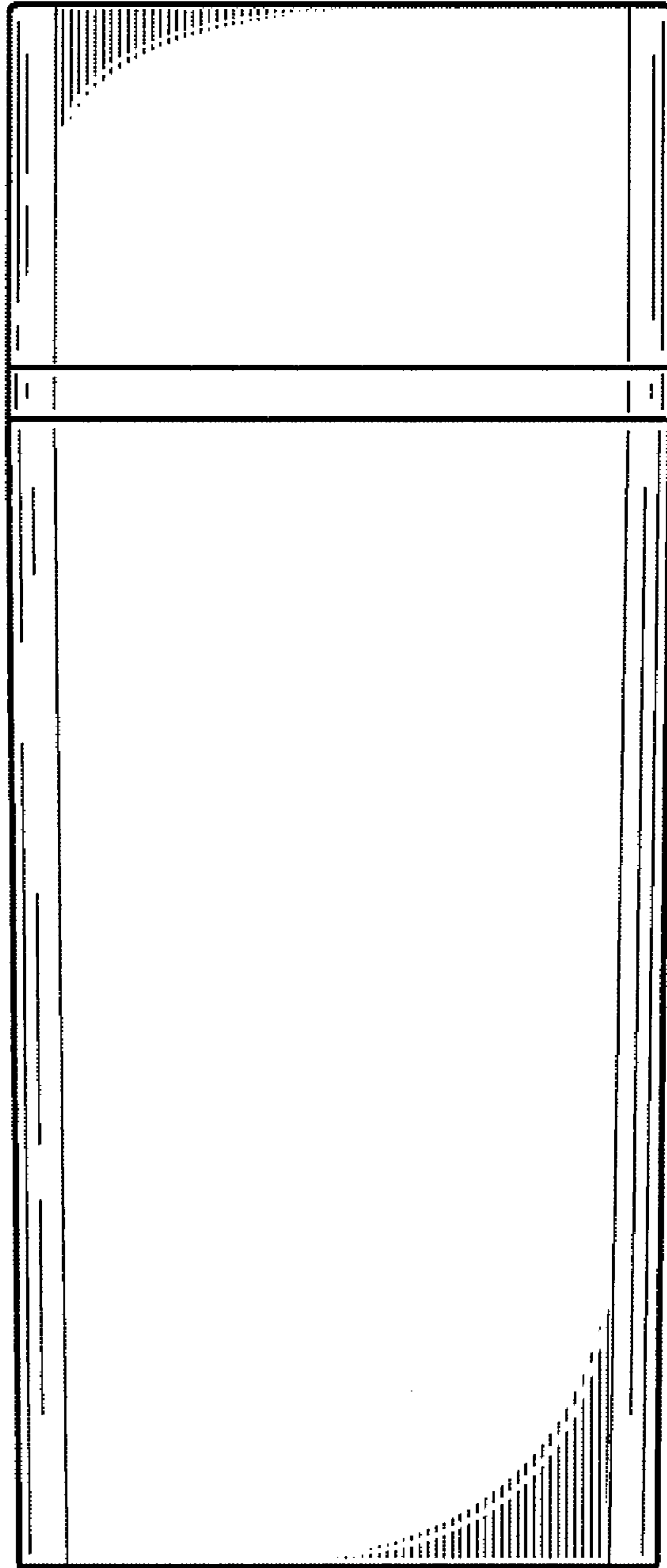


Fig. 9



**Fig. 10**

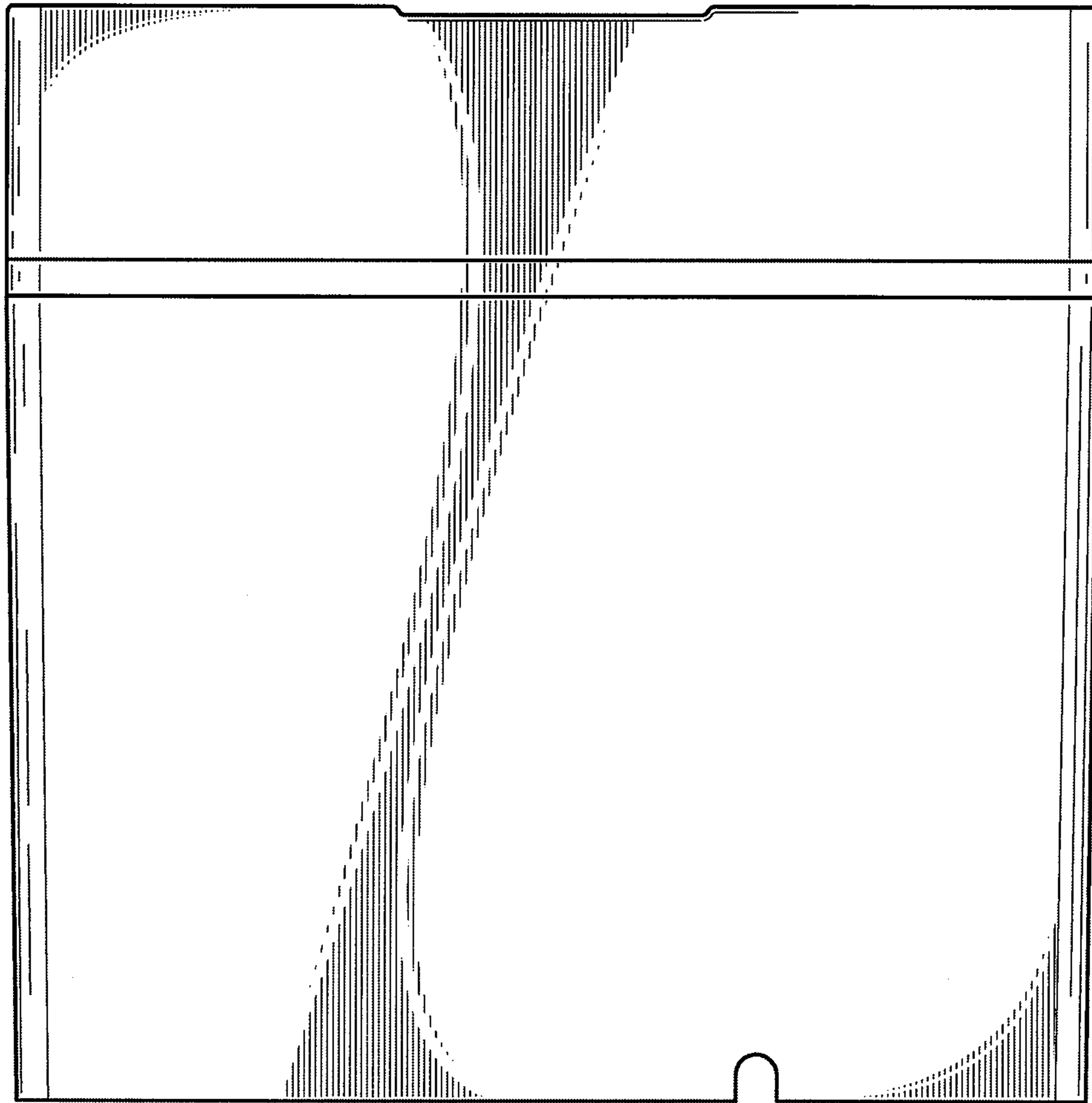


Fig. 11

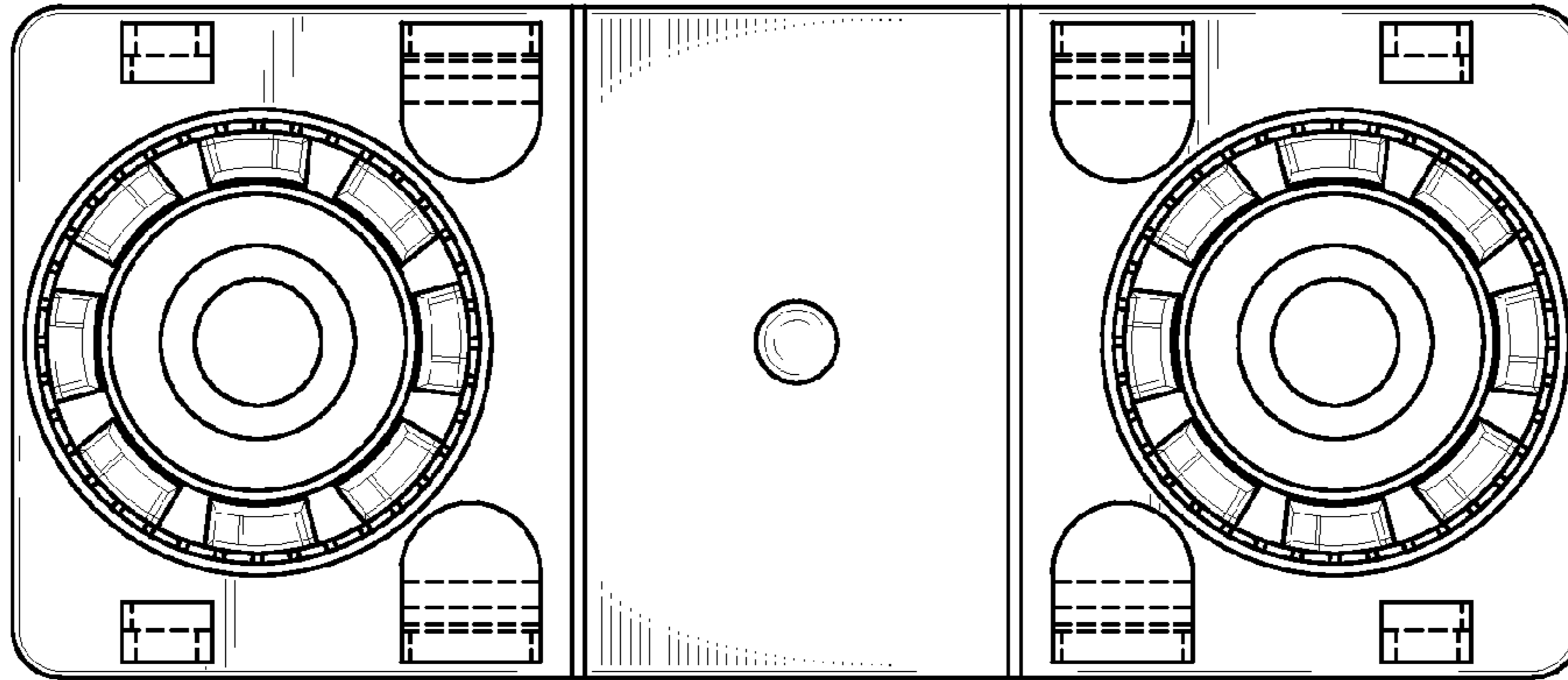


Fig. 12

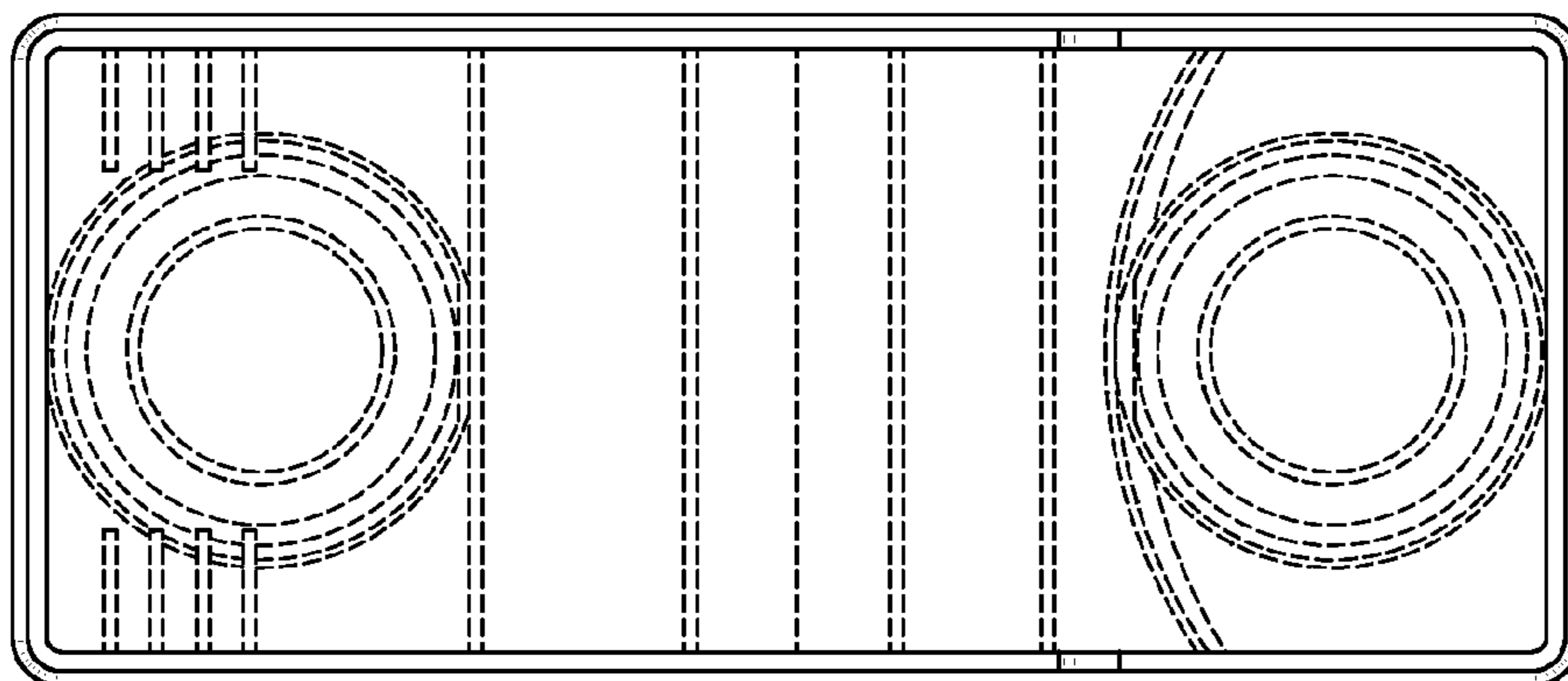


Fig. 13

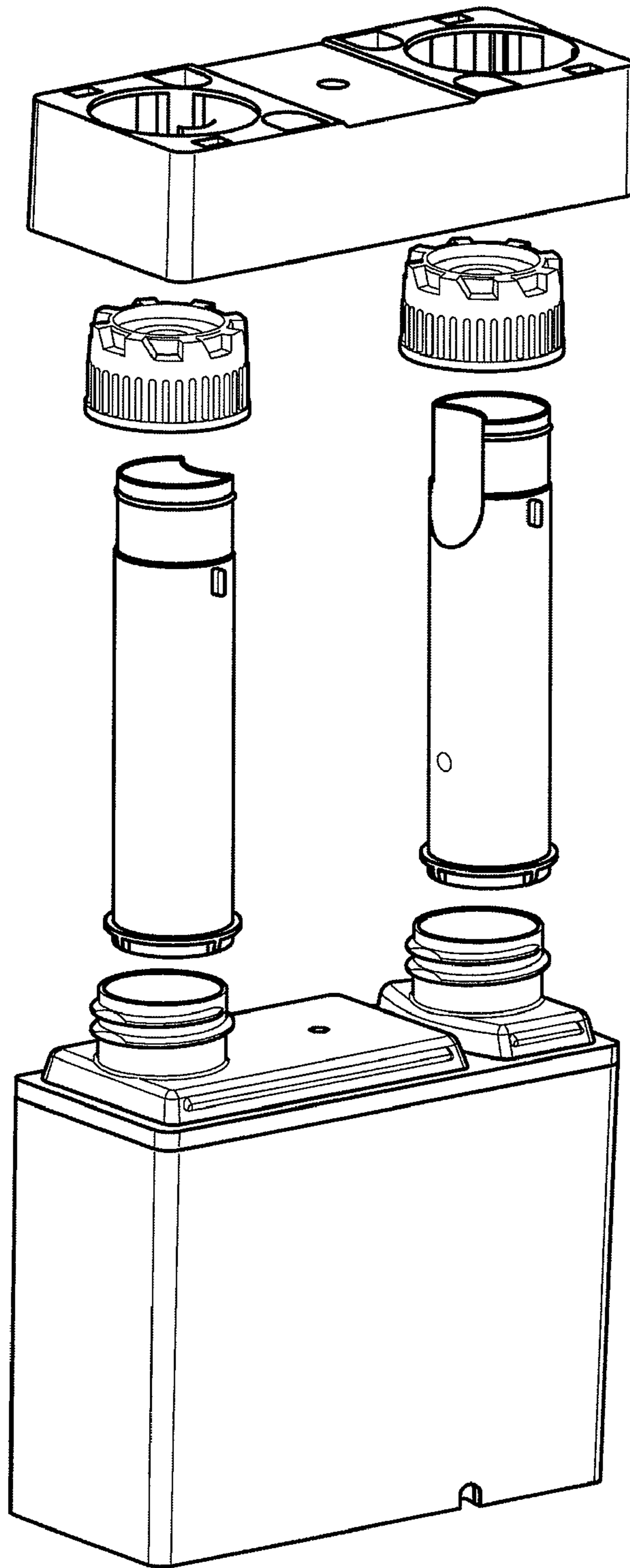
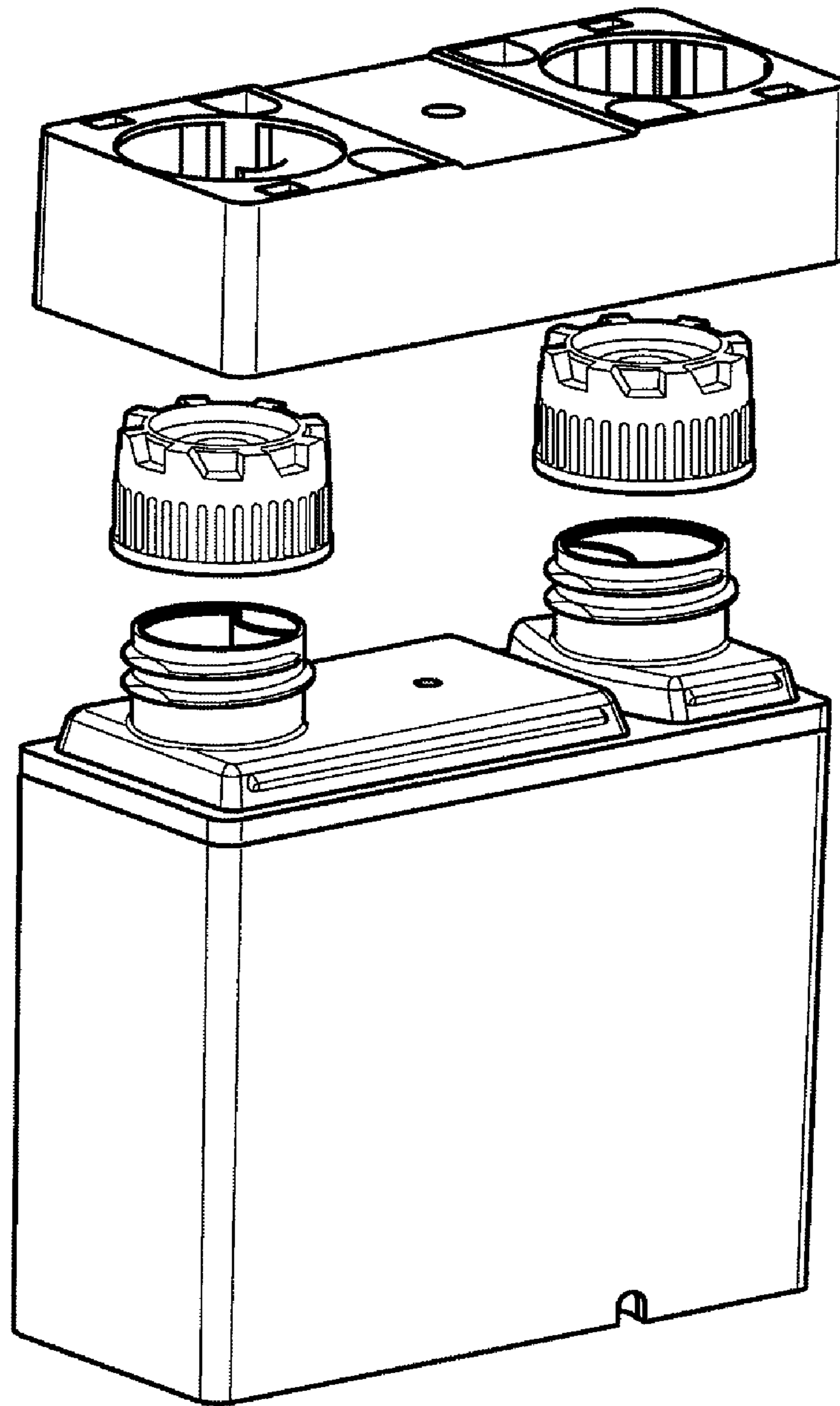
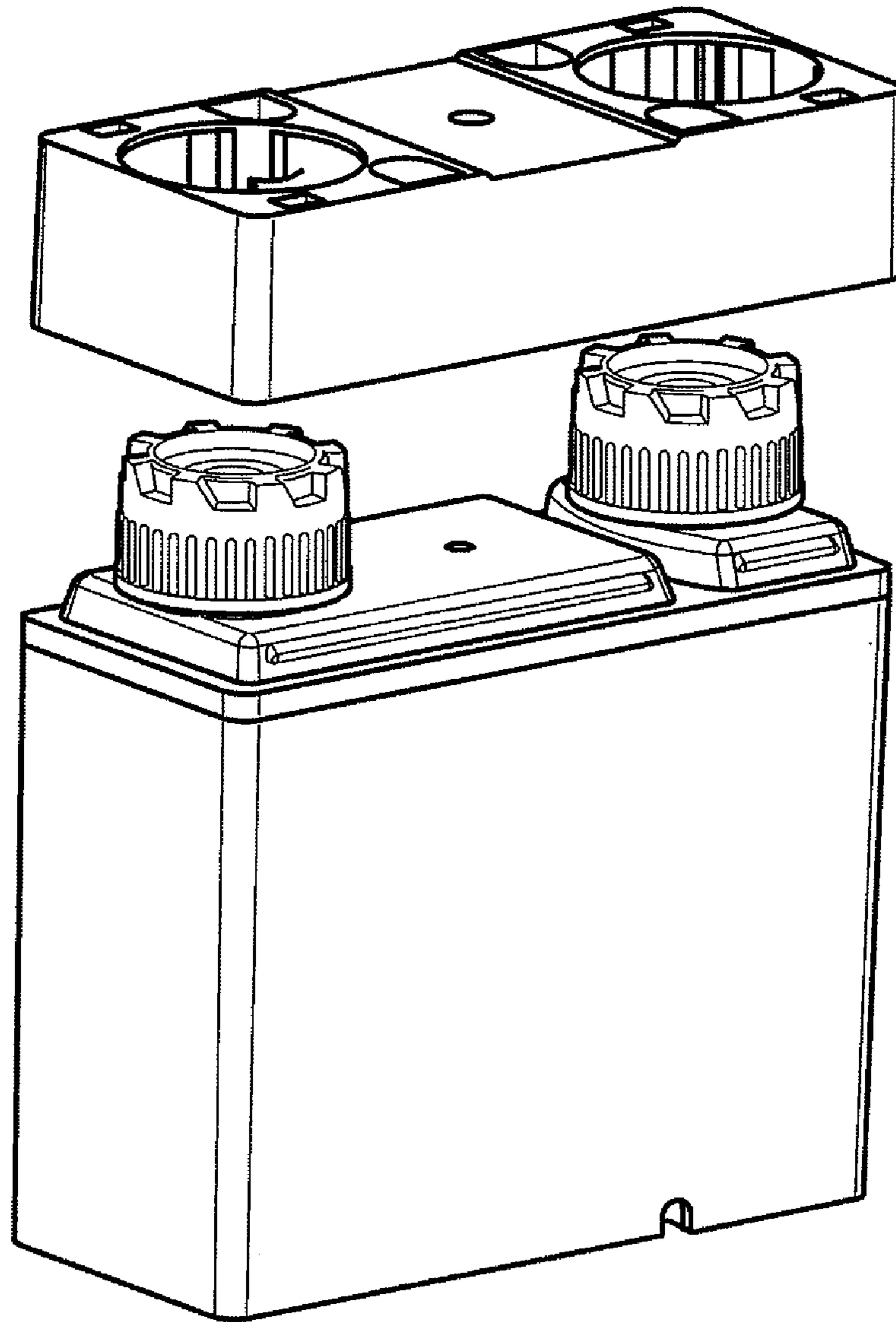


Fig. 14



**Fig. 15**



**Fig. 16**