



US00D630754S

(12) **United States Design Patent**
Massad

(10) **Patent No.:** **US D630,754 S**
(45) **Date of Patent:** **** Jan. 11, 2011**

(54) **LOWER COMBINED DENTAL TRAY WITH PIN HOLDER**

(75) Inventor: **Joseph J. Massad**, Tulsa, OK (US)

(73) Assignee: **Global Dental Impression Trays, Inc.**, Tulsa, OK (US)

(**) Term: **14 Years**

(21) Appl. No.: **29/355,587**

(22) Filed: **Feb. 10, 2010**

(51) **LOC (9) Cl.** **24-02**

(52) **U.S. Cl.** **D24/181**

(58) **Field of Classification Search** D24/181,
D24/180, 176, 152; D29/108; 129/859,
129/861, 862; 433/18-24
See application file for complete search history.

(56) **References Cited**

U.S. PATENT DOCUMENTS

D212,848	S	*	12/1968	Westlund et al.	D24/181
4,424,032	A	*	1/1984	Howe	433/19
D289,795	S	*	5/1987	Andersson	D24/181
D305,370	S	*	1/1990	Williams	D28/61
D433,138	S	*	10/2000	Kesling	D24/181
6,553,996	B2	*	4/2003	Kittelsen et al.	128/862

6,598,605	B1	*	7/2003	Kittelsen et al.	128/862
7,299,804	B2	*	11/2007	Kittelsen et al.	128/861
7,533,674	B2	*	5/2009	Dort	128/861
D609,347	S	*	2/2010	Farrell	D24/180

* cited by examiner

Primary Examiner—Charles A Rademaker

(74) *Attorney, Agent, or Firm*—Head, Johnson & Kachigian, P.C.

(57) **CLAIM**

The ornamental design for a lower combined dental tray with pin holder, as shown and described.

DESCRIPTION

FIG. 1 is a top perspective view of a lower combined dental tray with pin holder showing my new design;

FIG. 2 is a bottom perspective view thereof;

FIG. 3 is a top view thereof;

FIG. 4 is a front view thereof;

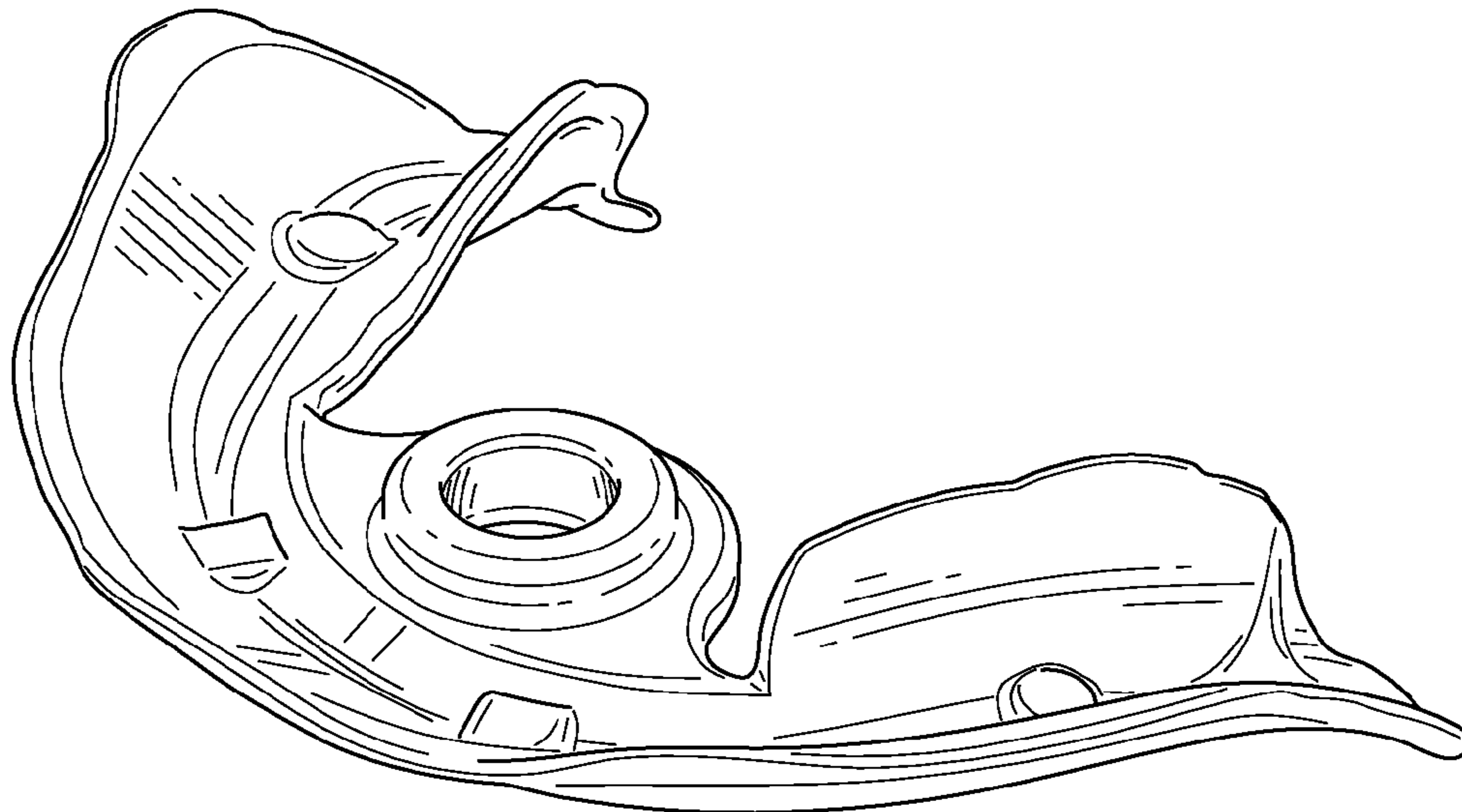
FIG. 5 is a rear view thereof;

FIG. 6 is a bottom view thereof;

FIG. 7 is a left side view thereof; and,

FIG. 8 is a right side view thereof.

1 Claim, 3 Drawing Sheets



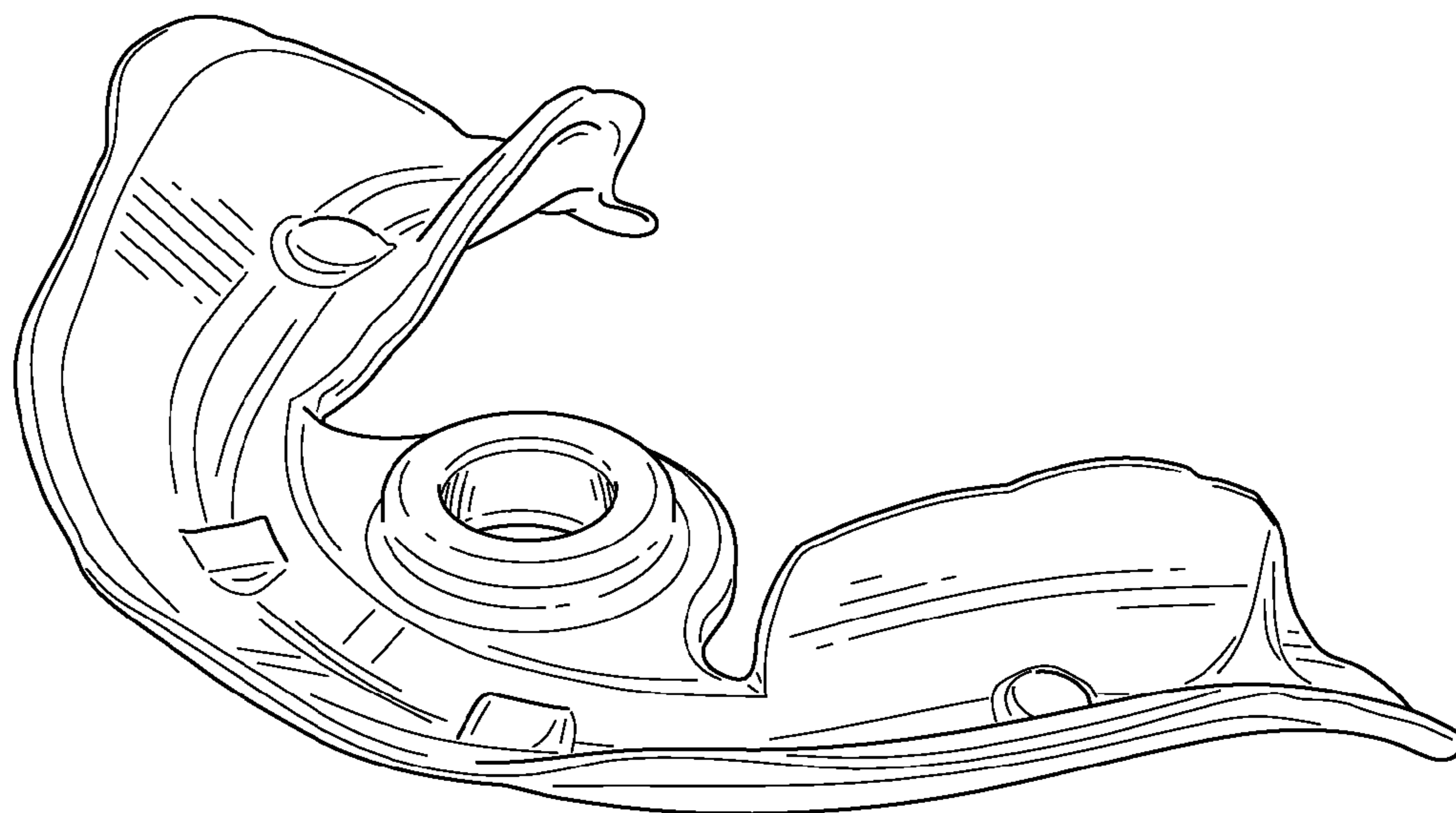


FIG. 1

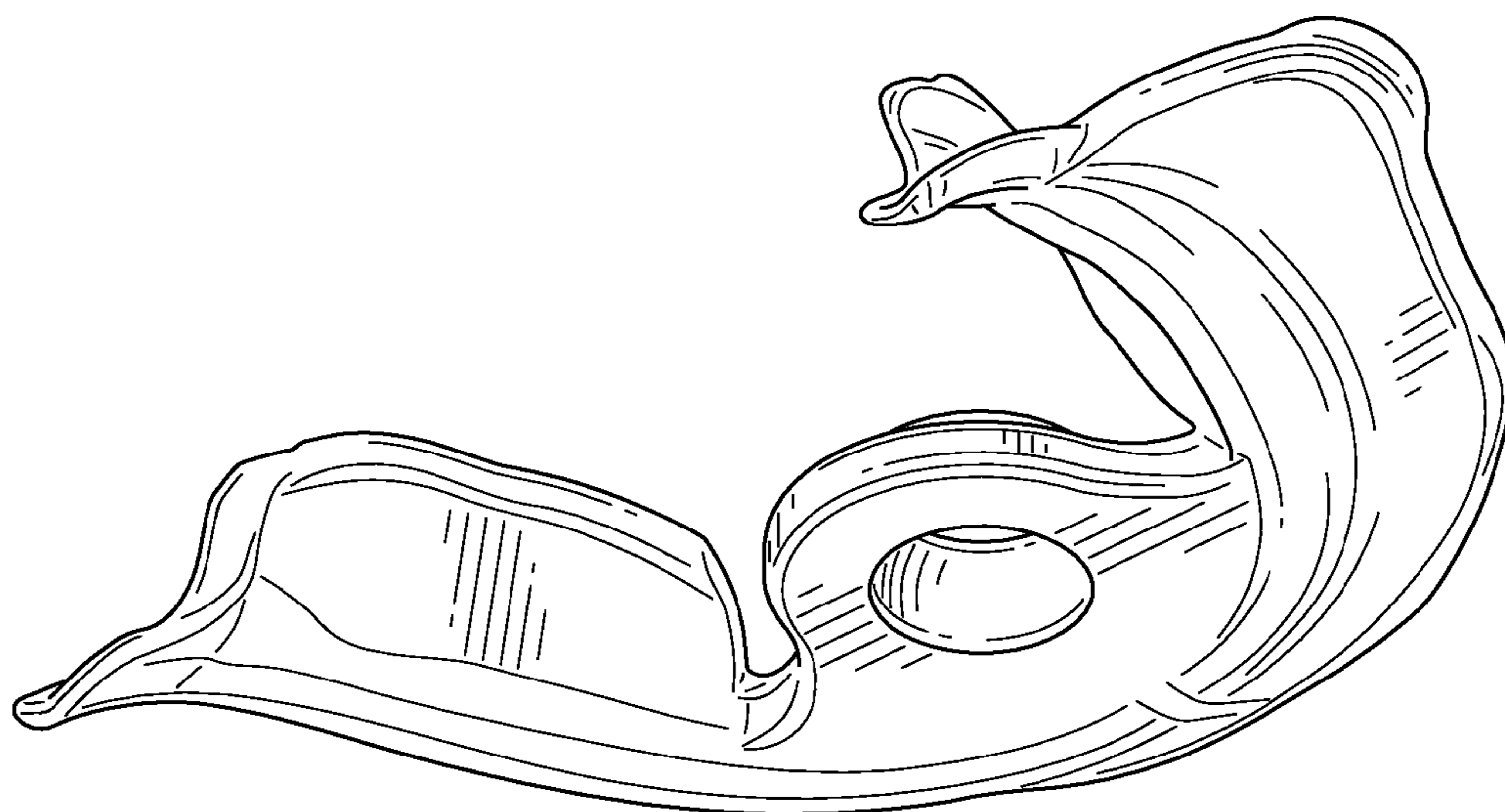


FIG. 2

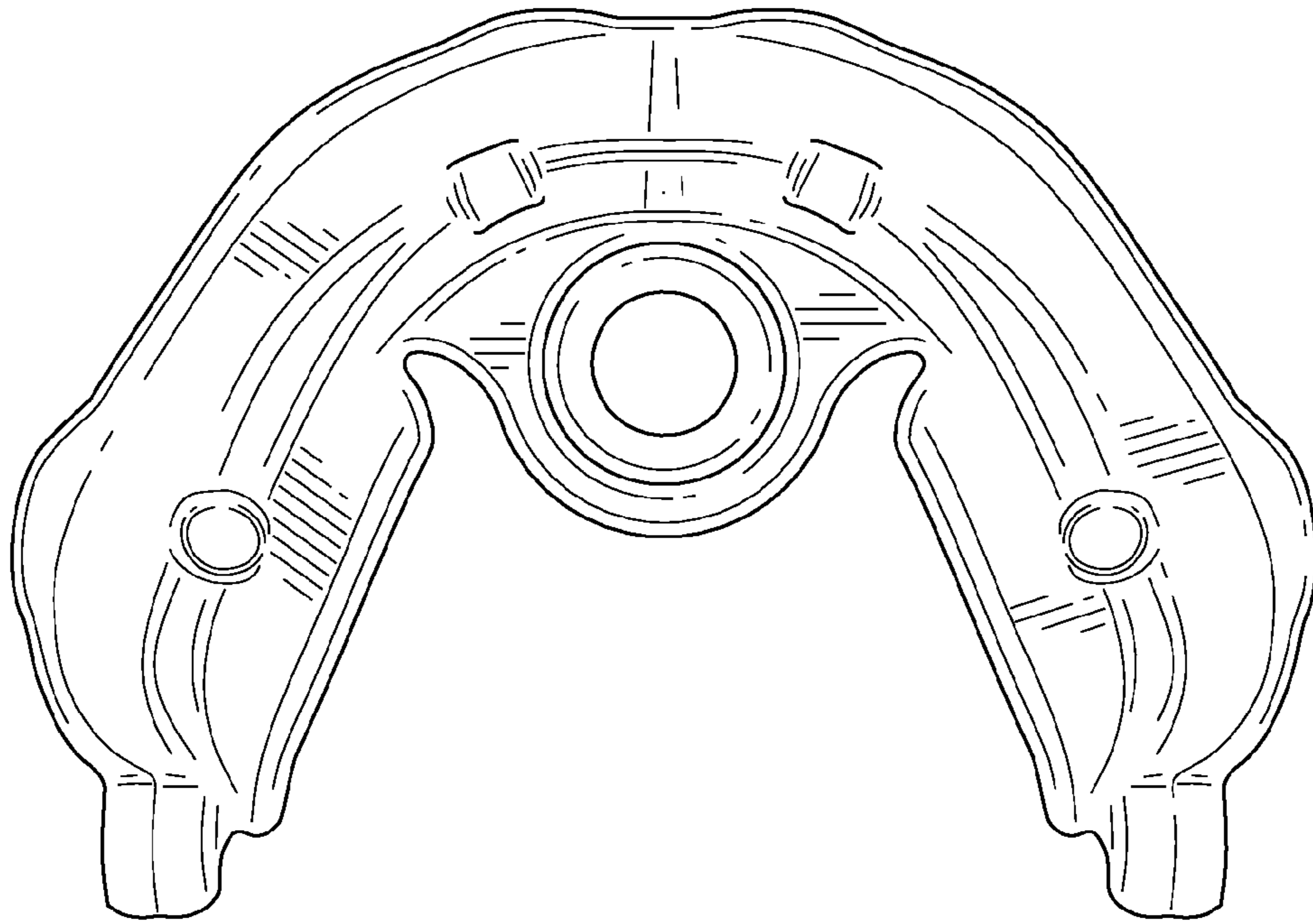


FIG. 3

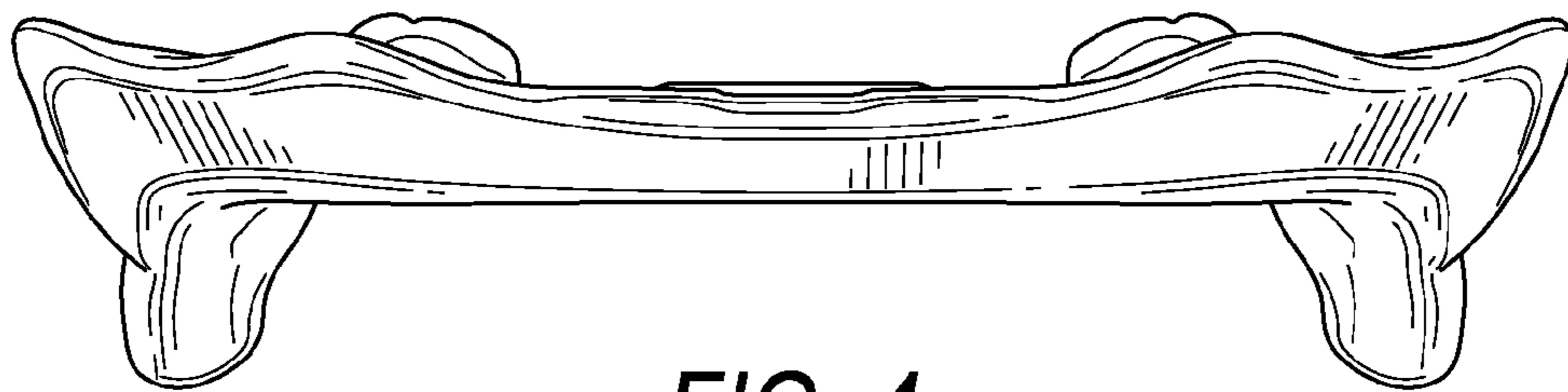


FIG. 4

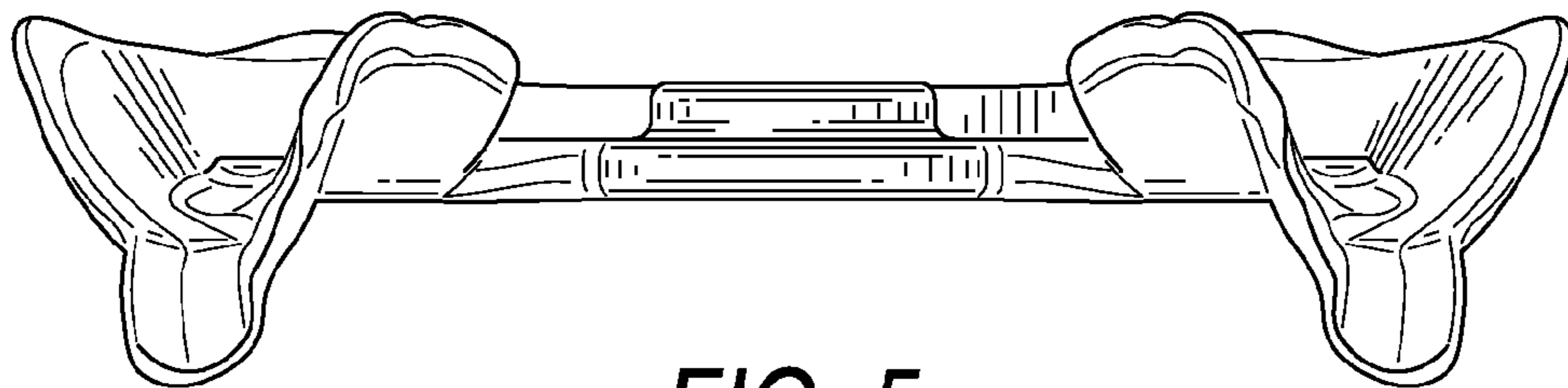


FIG. 5

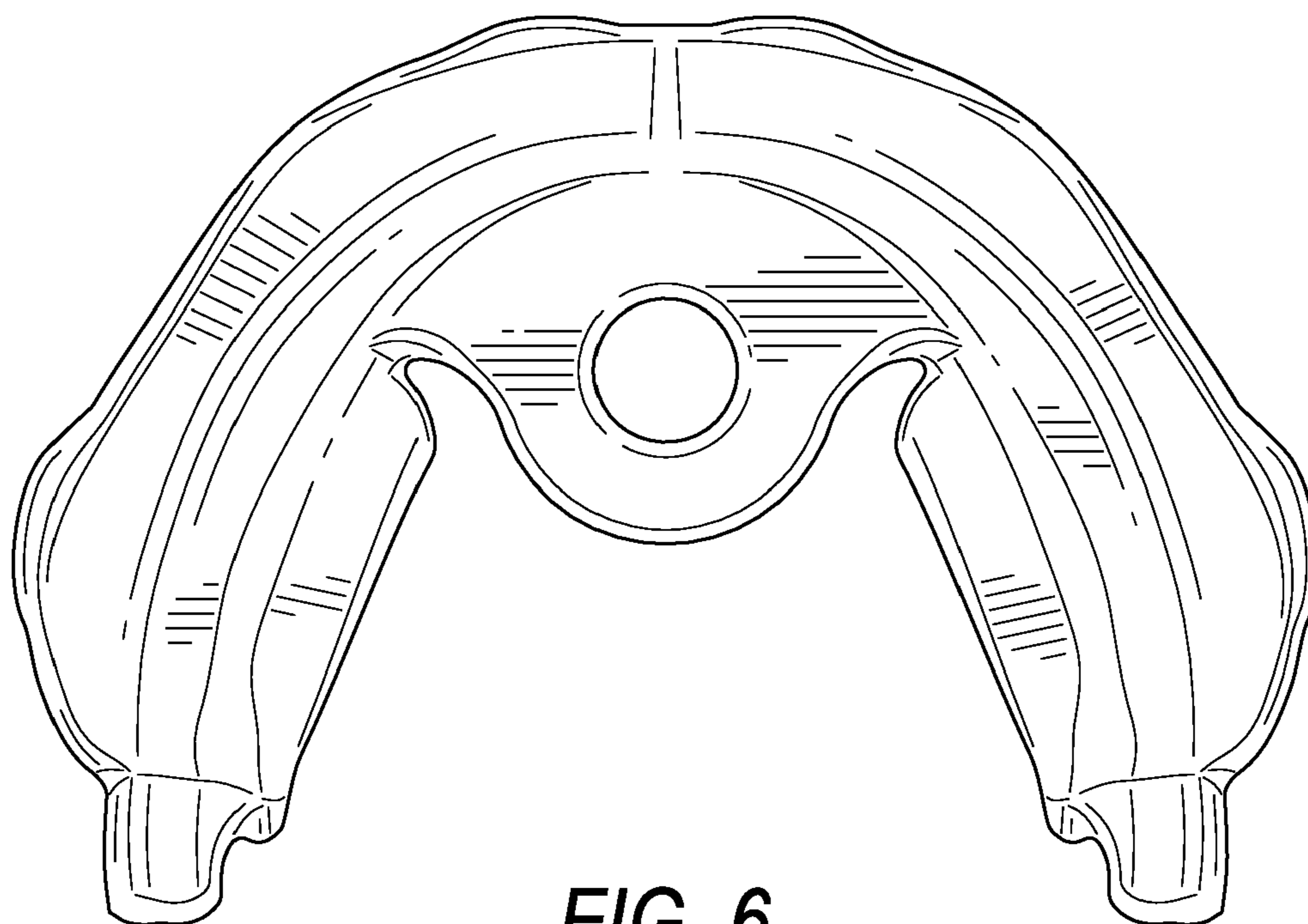


FIG. 6

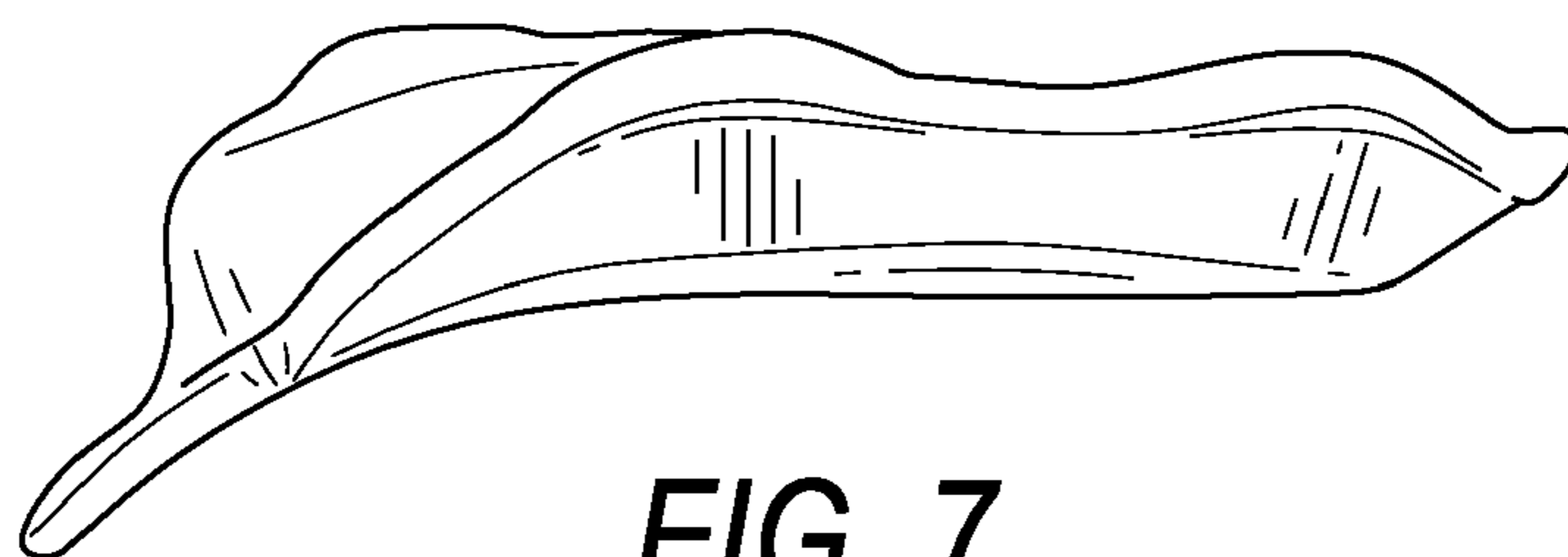


FIG. 7

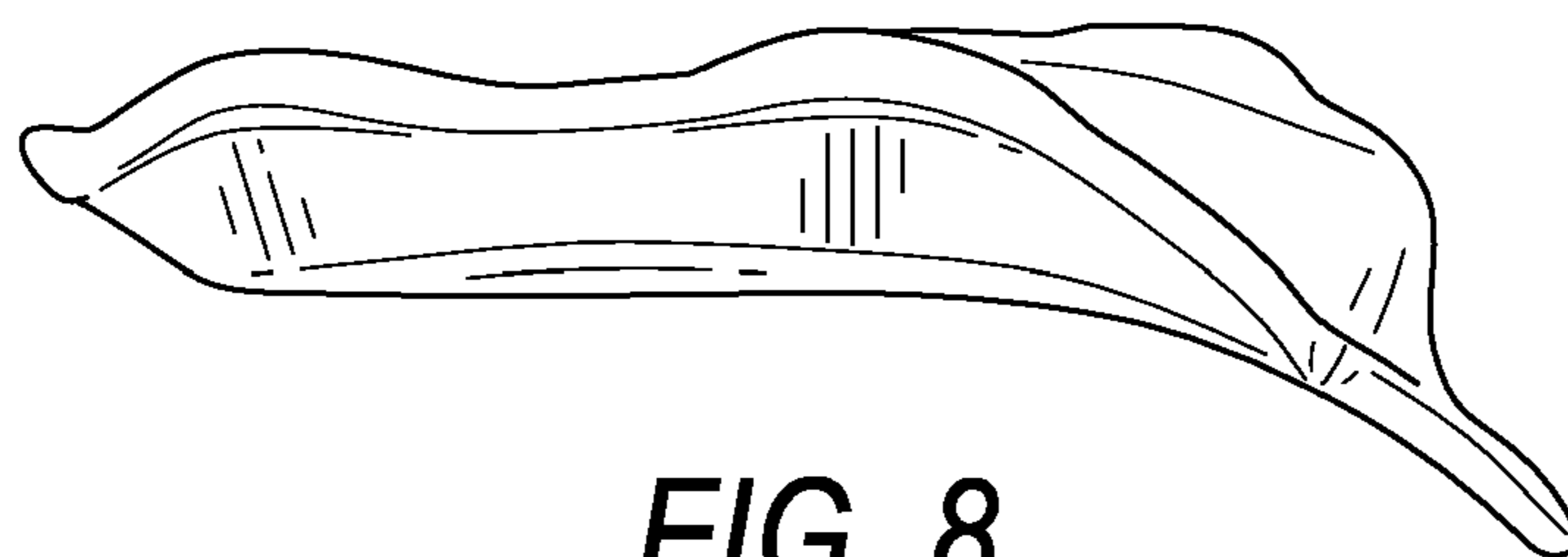


FIG. 8