



US00D630747S

(12) **United States Design Patent**
Shinohara et al.

(10) **Patent No.:** **US D630,747 S**
(45) **Date of Patent:** **** Jan. 11, 2011**

(54) **INTRAORAL CAMERA**

(75) Inventors: **Noriyuki Shinohara**, Ehime (JP);
Tamotu Senda, Ehime (JP)

(73) Assignee: **Panasonic Corporation**, Osaka (JP)

(**) Term: **14 Years**

(21) Appl. No.: **29/358,632**

(22) Filed: **Mar. 30, 2010**

(30) **Foreign Application Priority Data**

Oct. 27, 2009 (JP) 2009-25096

(51) **LOC (9) Cl.** **24-02**

(52) **U.S. Cl.** **D24/152; D24/137**

(58) **Field of Classification Search** D24/133,
D24/137, 138, 141, 144, 147, 150, 152, 158,
D24/176; 433/29, 114; 600/407; 606/196
See application file for complete search history.

(56) **References Cited**

U.S. PATENT DOCUMENTS

D341,200	S	*	11/1993	Yoshimoto	D24/133
D354,566	S		1/1995	Donahoo		
5,528,432	A	*	6/1996	Donahoo	359/894
D414,867	S		10/1999	Moriwaki et al.		
6,019,721	A	*	2/2000	Holmes et al.	600/167
6,095,811	A	*	8/2000	Stearns	433/29
D453,833	S	*	2/2002	Hess	D24/144
D465,279	S	*	11/2002	Etter et al.	D24/133
D468,429	S		1/2003	Bareth et al.		
D493,530	S	*	7/2004	Reschke	D24/144
6,761,561	B2	*	7/2004	Mandelkern et al.	433/29
D515,215	S	*	2/2006	Wang	D24/176
D532,906	S		11/2006	Kim et al.		

D538,936	S	*	3/2007	Bohmel et al.	D24/152
D558,345	S	*	12/2007	Witt	D24/152
2005/0003323	A1	*	1/2005	Katsuda et al.	433/29
2010/0216086	A1	*	8/2010	Sylvester et al.	433/29

FOREIGN PATENT DOCUMENTS

JP	D1031525	2/1999
JP	D1034262	3/1999
JP	D1063520	3/2000
JP	D1118541	8/2001
JP	D1142445	6/2002
JP	D1156761	10/2002
JP	D1165431	2/2003
JP	D1194751	1/2004

* cited by examiner

Primary Examiner—Bridget L Eland

(74) *Attorney, Agent, or Firm*—Brinks Hofer Gilson & Lione

(57) **CLAIM**

We claim the ornamental design for an intraoral camera, as shown and described.

DESCRIPTION

FIG. 1 is a front and left side perspective view of an intraoral camera of the present invention;

FIG. 2 is a rear and right side perspective view thereof;

FIG. 3 is a front view thereof;

FIG. 4 is a rear view thereof;

FIG. 5 is a left side view thereof;

FIG. 6 is a right side view thereof;

FIG. 7 is a top view thereof; and,

FIG. 8 is a bottom view thereof.

1 Claim, 7 Drawing Sheets

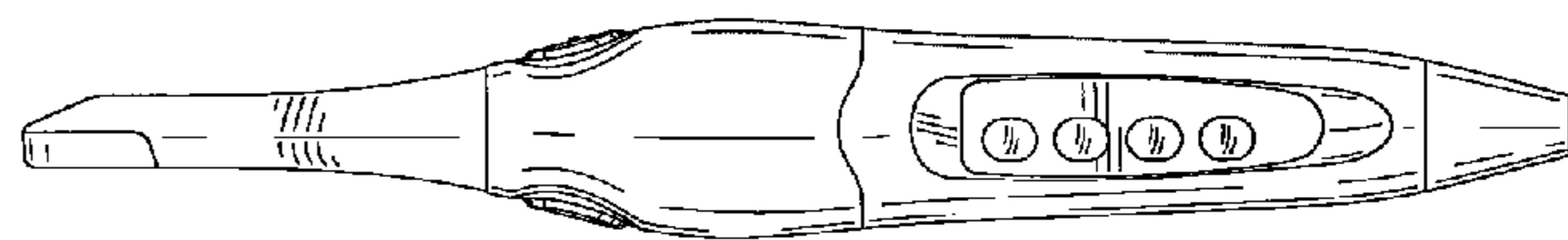
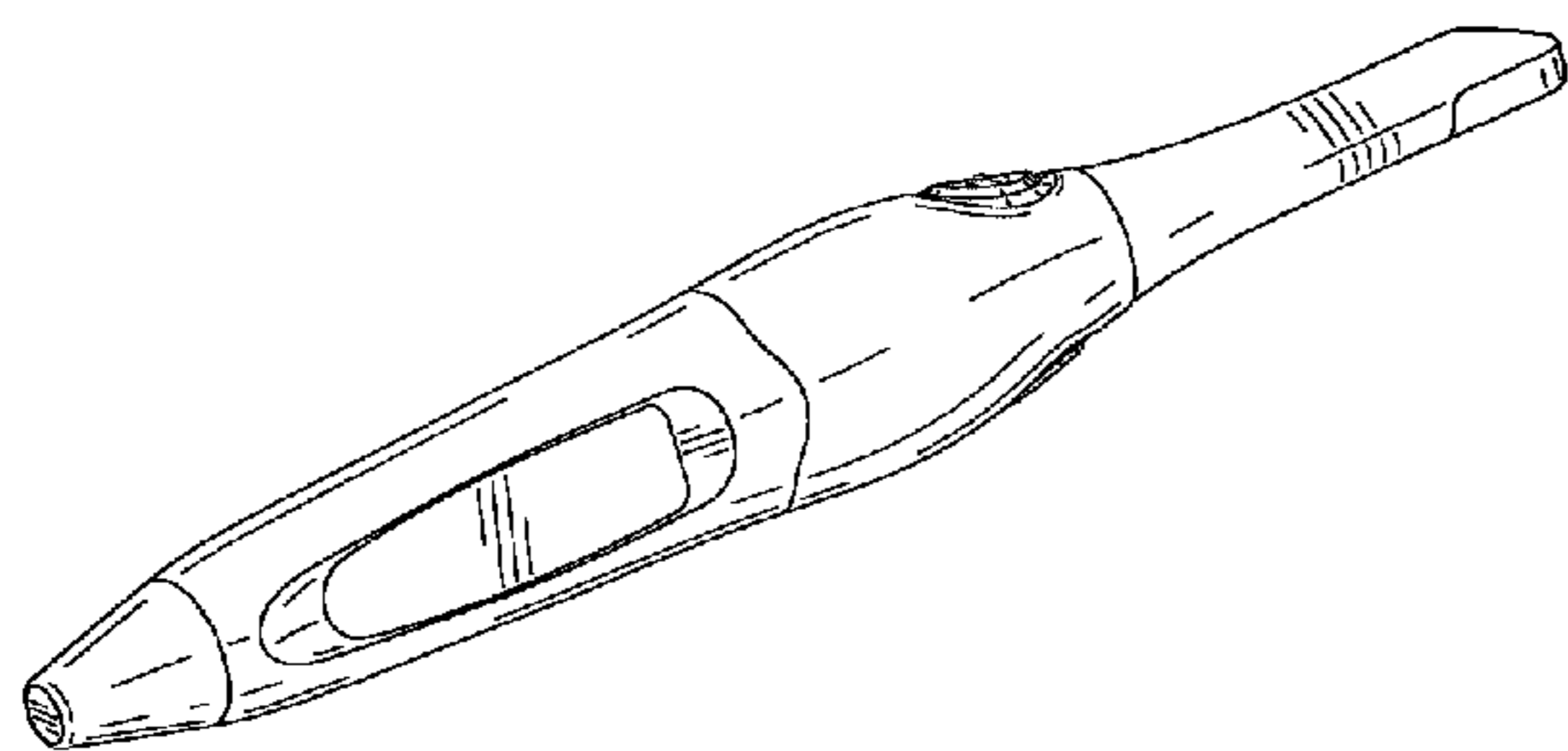
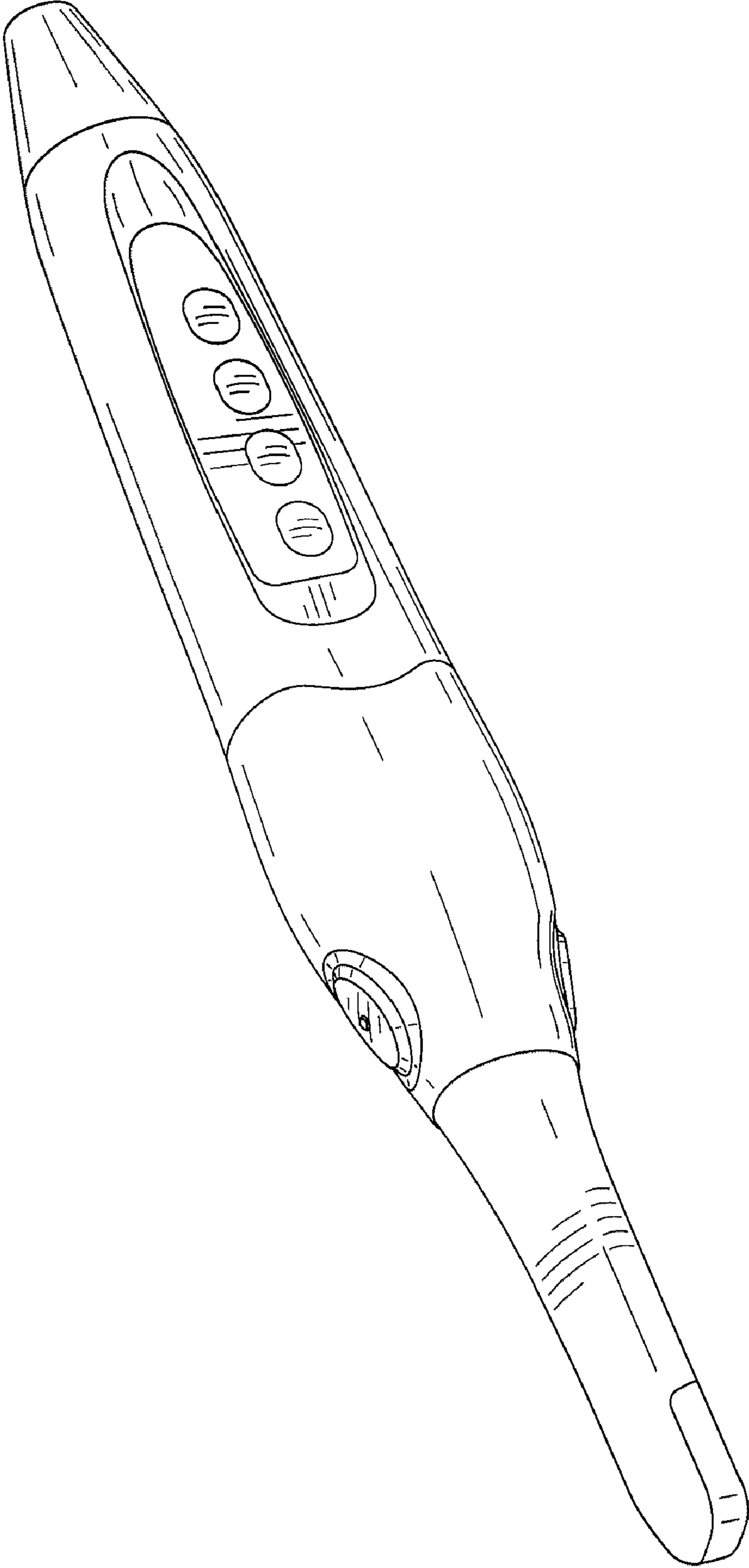


FIG.1



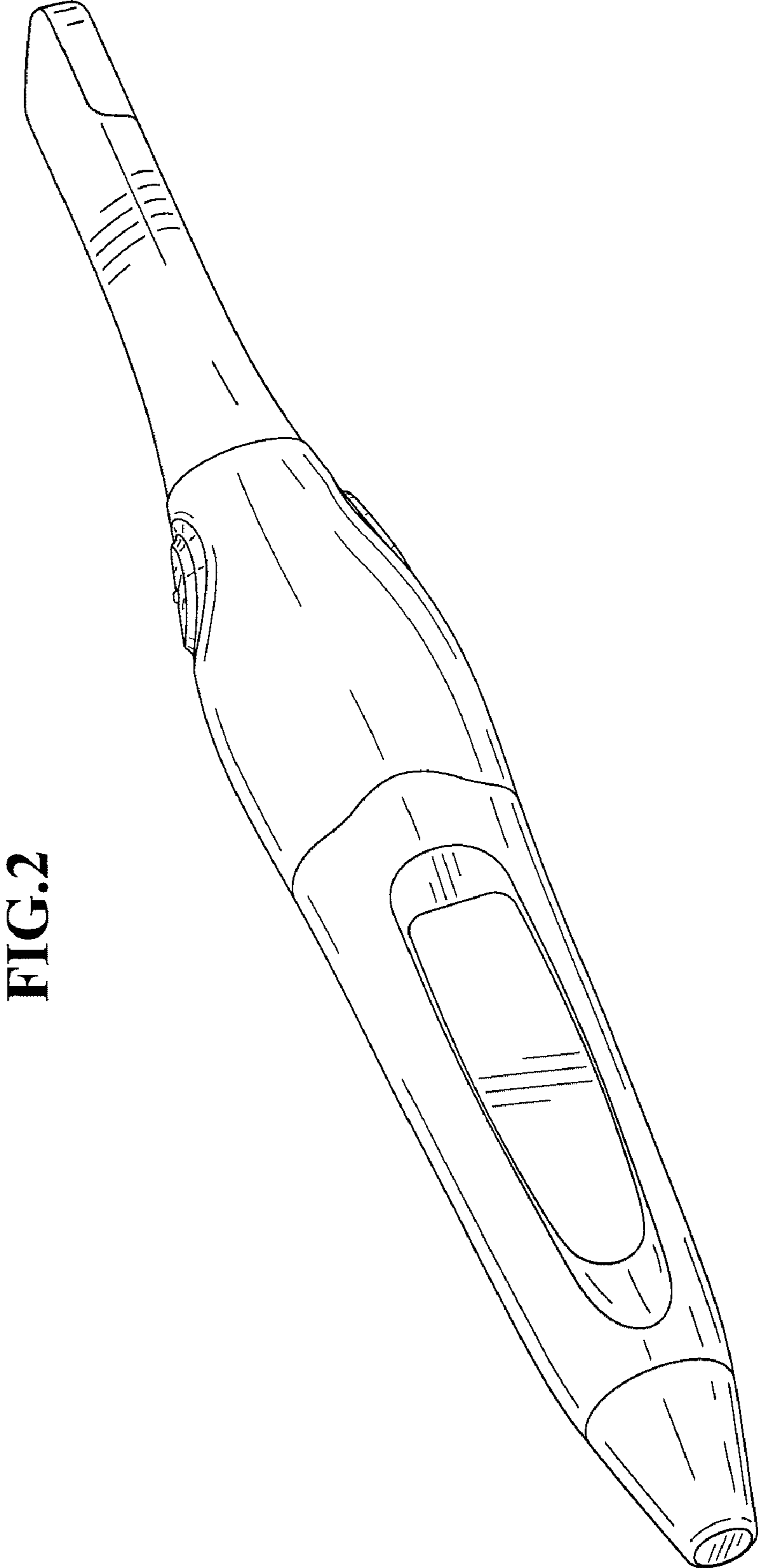


FIG. 2

FIG.3

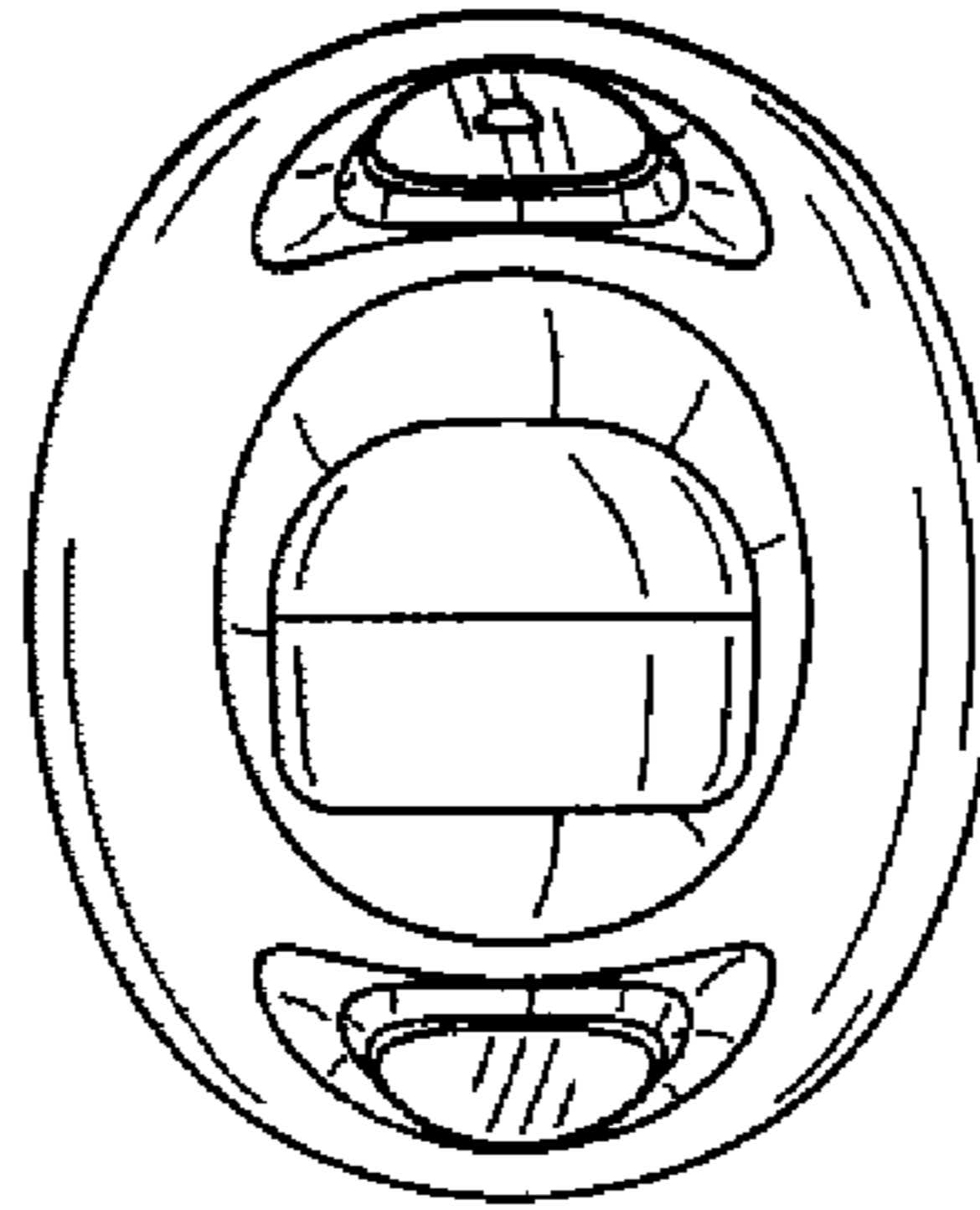


FIG.4

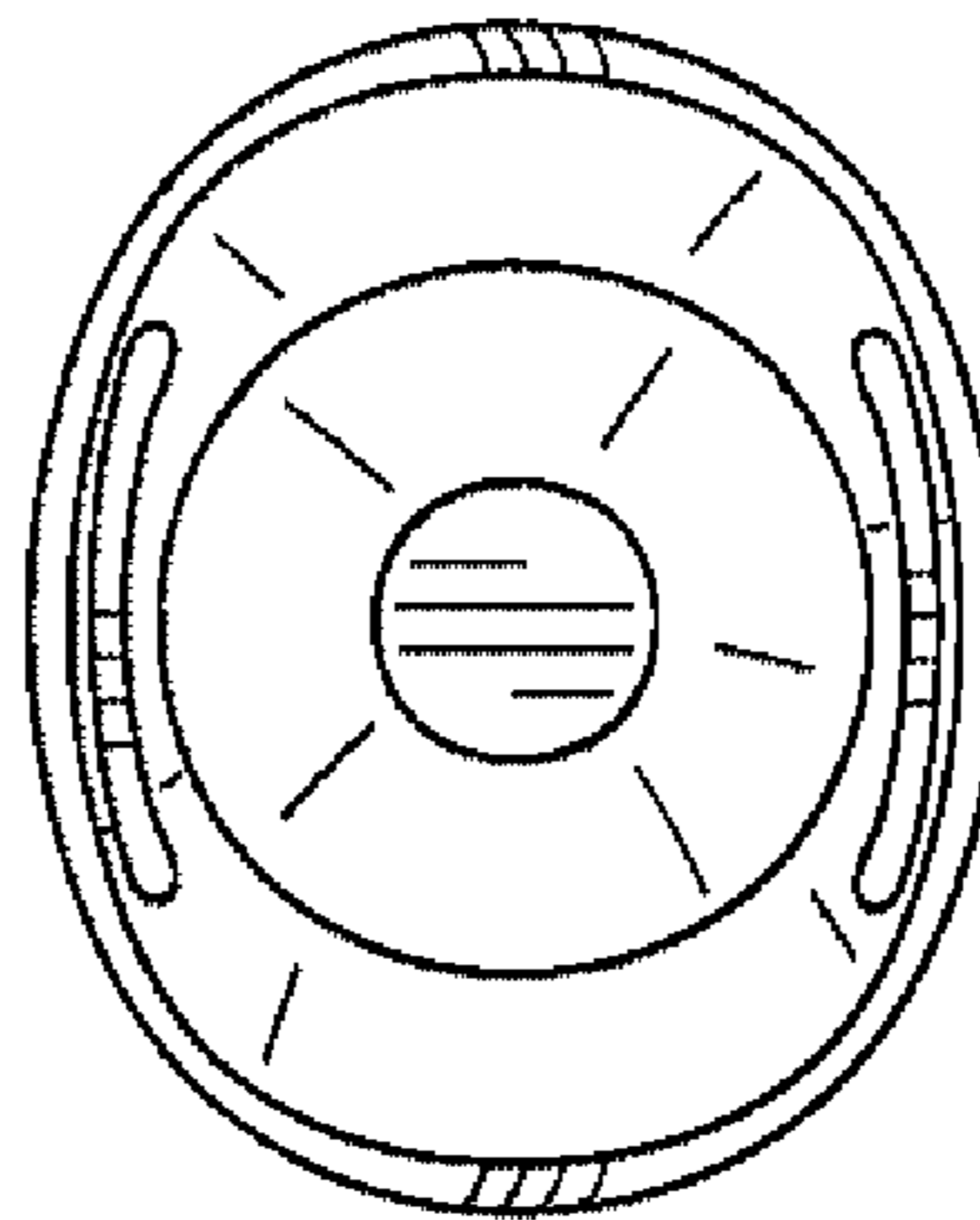


FIG.5

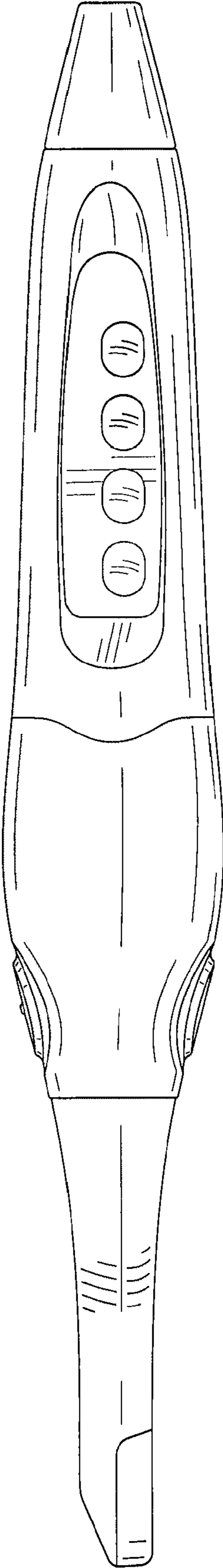


FIG.6

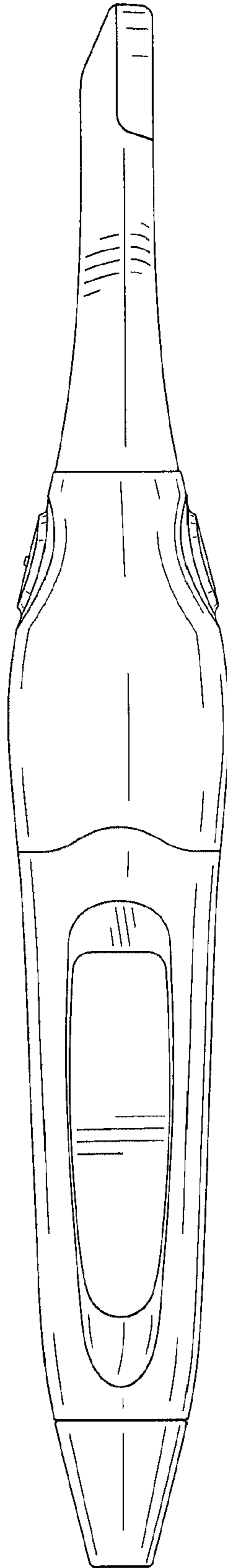


FIG. 7

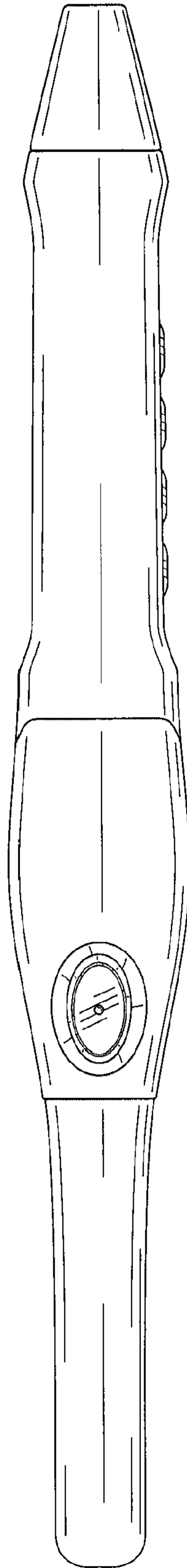


FIG.8

