



US00D630746S

(12) **United States Design Patent**  
**Richter et al.**

(10) **Patent No.:** **US D630,746 S**

(45) **Date of Patent:** **\*\* Jan. 11, 2011**

(54) **DRILLING GAGE**

(75) Inventors: **Joerg Richter**, Ludwigsburg (DE);  
**Sascha Berberich**, Tuttlingen (DE);  
**Rainer Ulmschneider**, Tuttlingen (DE)

(73) Assignee: **Karl Storz GmbH & Co. KG** (DE)

(\*\*) Term: **14 Years**

(21) Appl. No.: **29/344,082**

(22) Filed: **Sep. 23, 2009**

(30) **Foreign Application Priority Data**

Mar. 23, 2009 (EM) ..... 001110407-0010

(51) **LOC (9) Cl.** ..... **24-02**

(52) **U.S. Cl.** ..... **D24/140**

(58) **Field of Classification Search** ..... D10/64;  
D24/133, 140; 128/92; 606/96; 623/13.14  
See application file for complete search history.

(56) **References Cited**

**U.S. PATENT DOCUMENTS**

D230,096 S \* 1/1974 Rylee, II ..... D24/140

D245,919 S \* 9/1977 Shen ..... D24/140

D284,889 S \* 7/1986 Kenna ..... D24/140  
D359,557 S \* 6/1995 Hayes ..... D24/140  
D404,126 S \* 1/1999 Asfora ..... D24/140  
6,347,940 B1 \* 2/2002 Gordils Wallis ..... 606/96  
D574,495 S \* 8/2008 Petersen ..... D24/140  
7,776,047 B2 \* 8/2010 Fanger et al. .... 606/96

\* cited by examiner

*Primary Examiner*—Antoine D Davis

(74) *Attorney, Agent, or Firm*—St. Onge Steward Johnston & Reens LLC

(57) **CLAIM**

The ornamental design for a drilling gage, as shown and described.

**DESCRIPTION**

FIG. 1 is a right side perspective view of a drilling gage in accordance with the new design;

FIG. 2 is a top elevation view thereof;

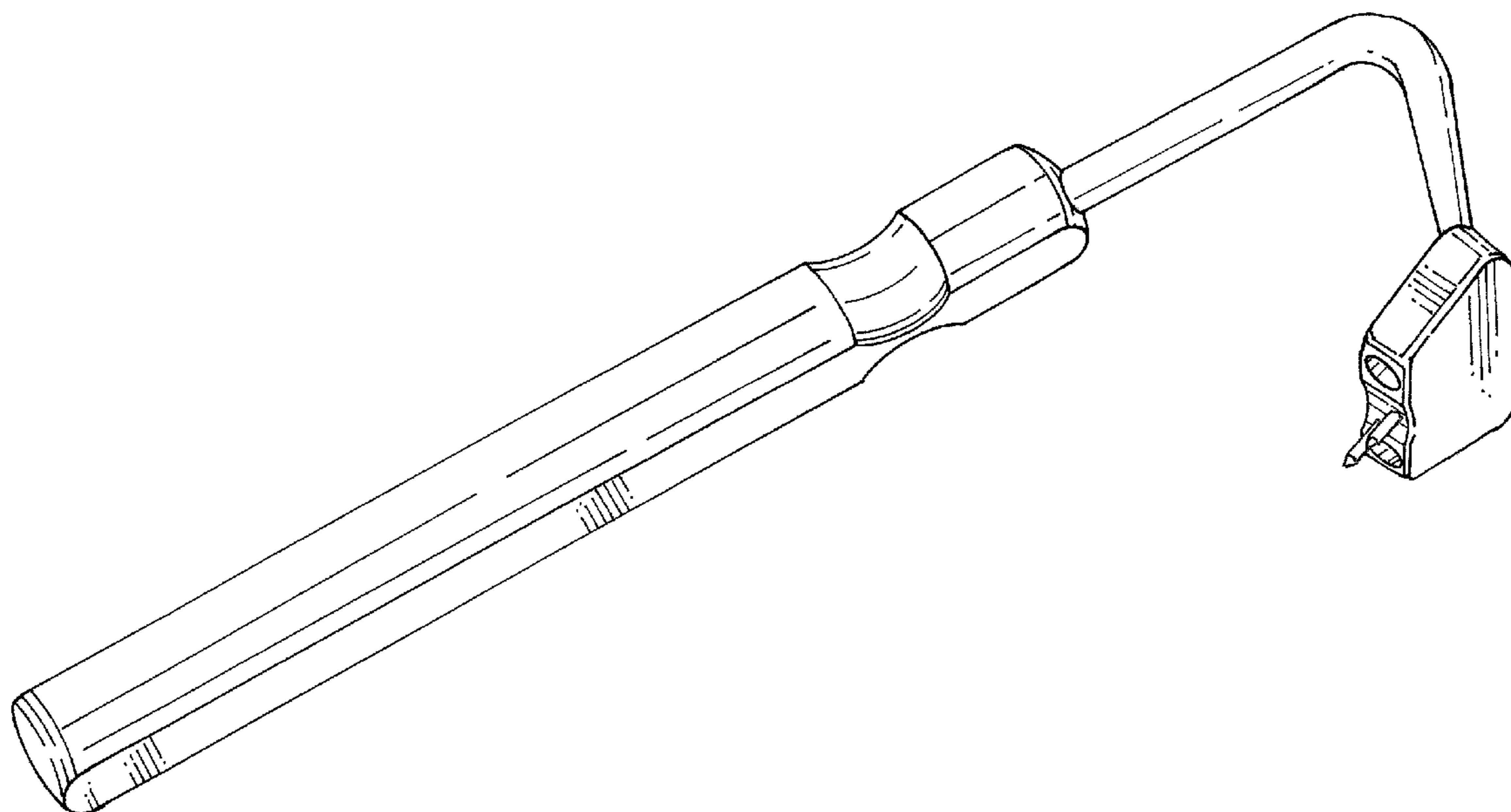
FIG. 3 is a left side elevation view thereof;

FIG. 4 is a right side elevation view thereof;

FIG. 5 is a front elevation view thereof; and,

FIG. 6 is a rear elevation view thereof.

**1 Claim, 4 Drawing Sheets**



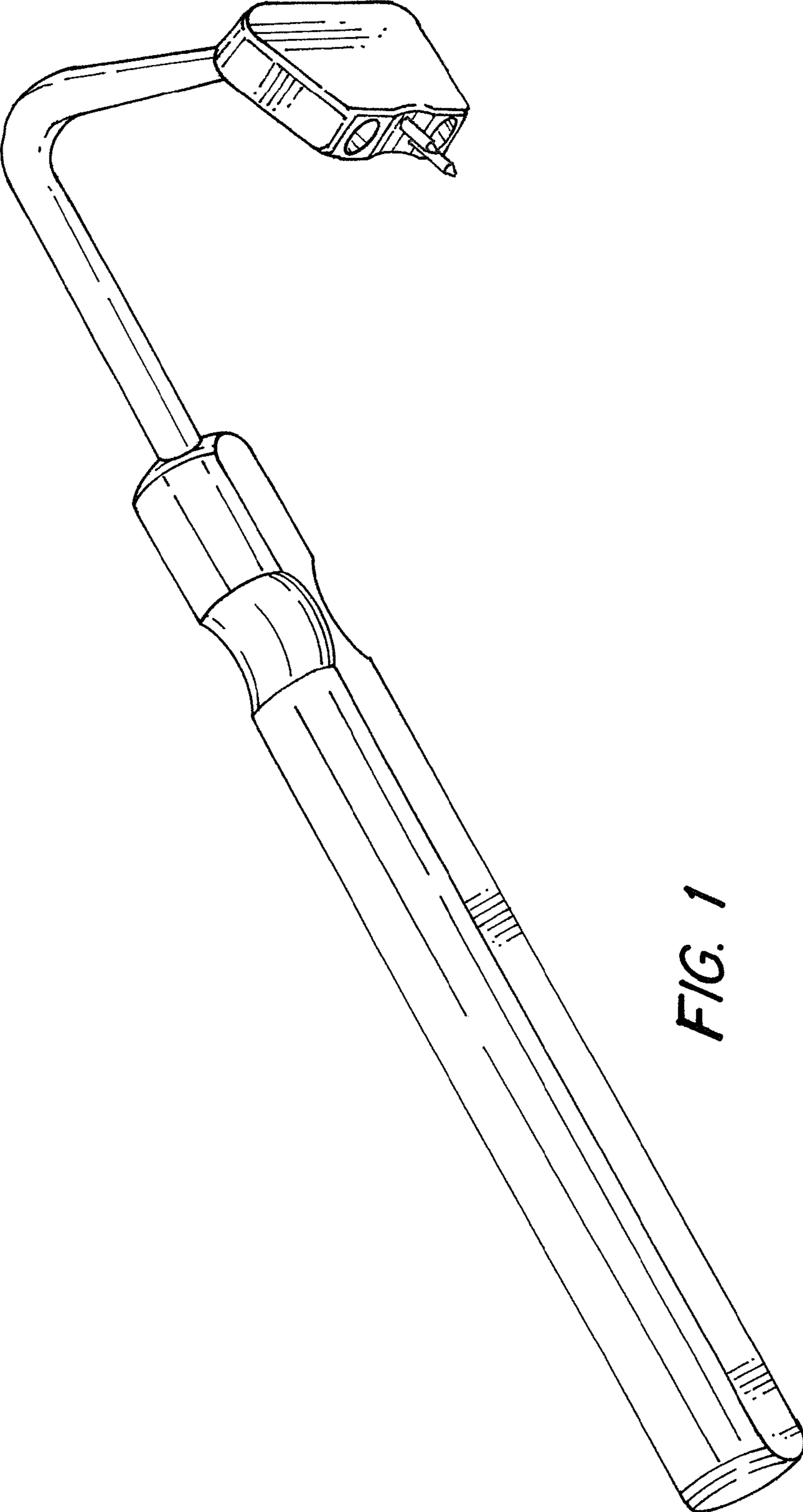


FIG. 1

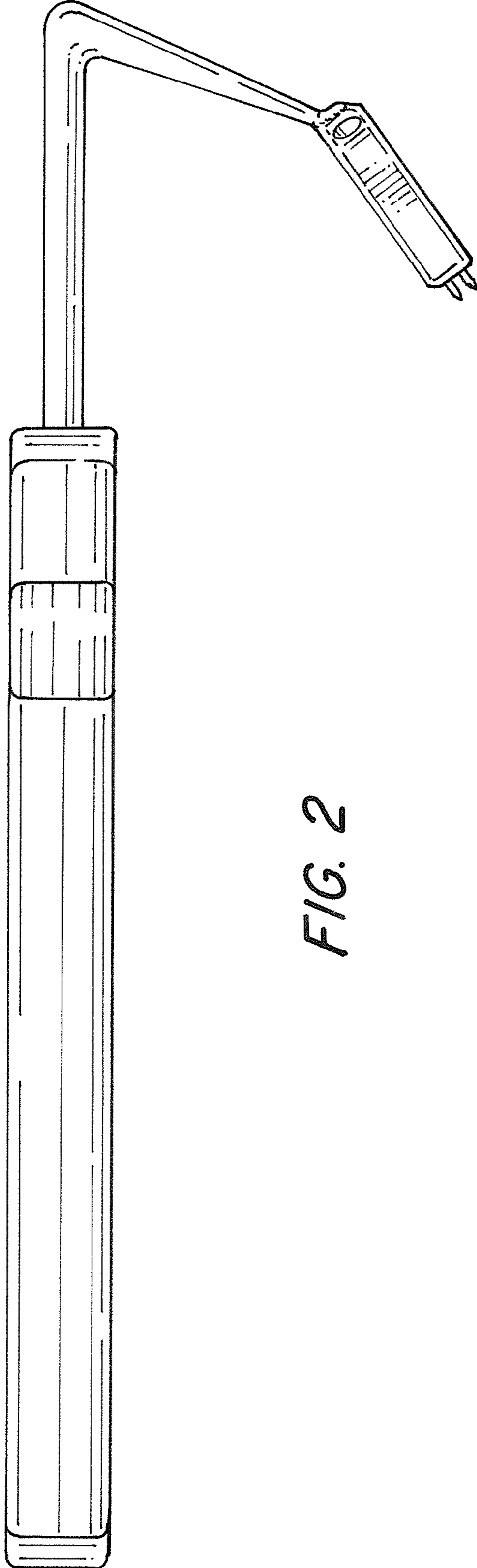
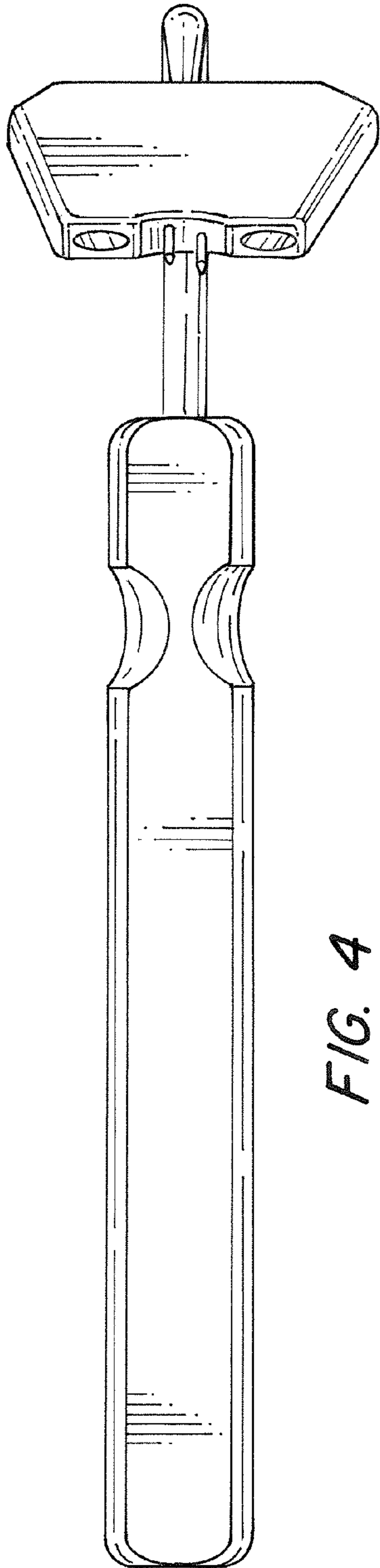
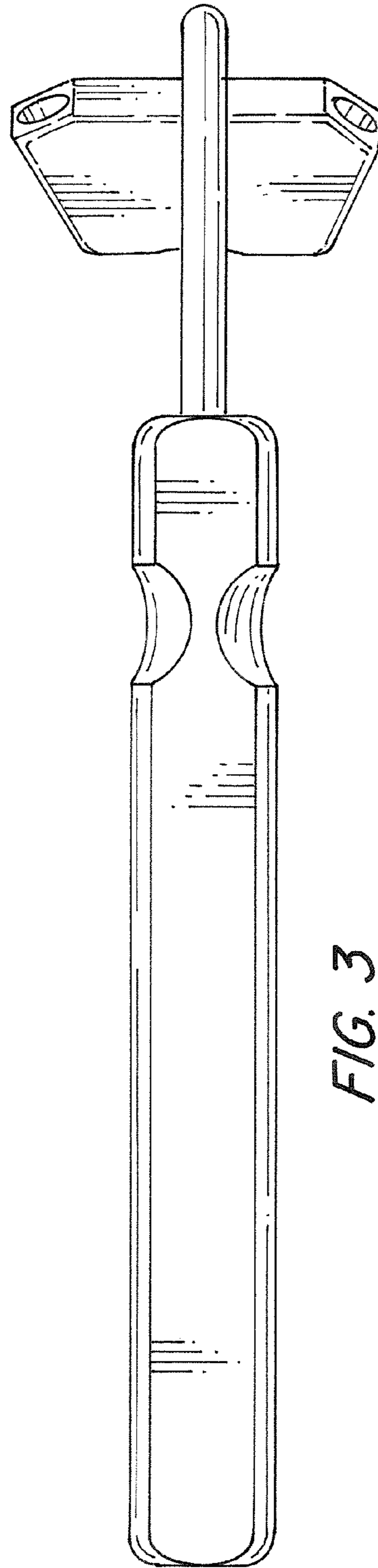


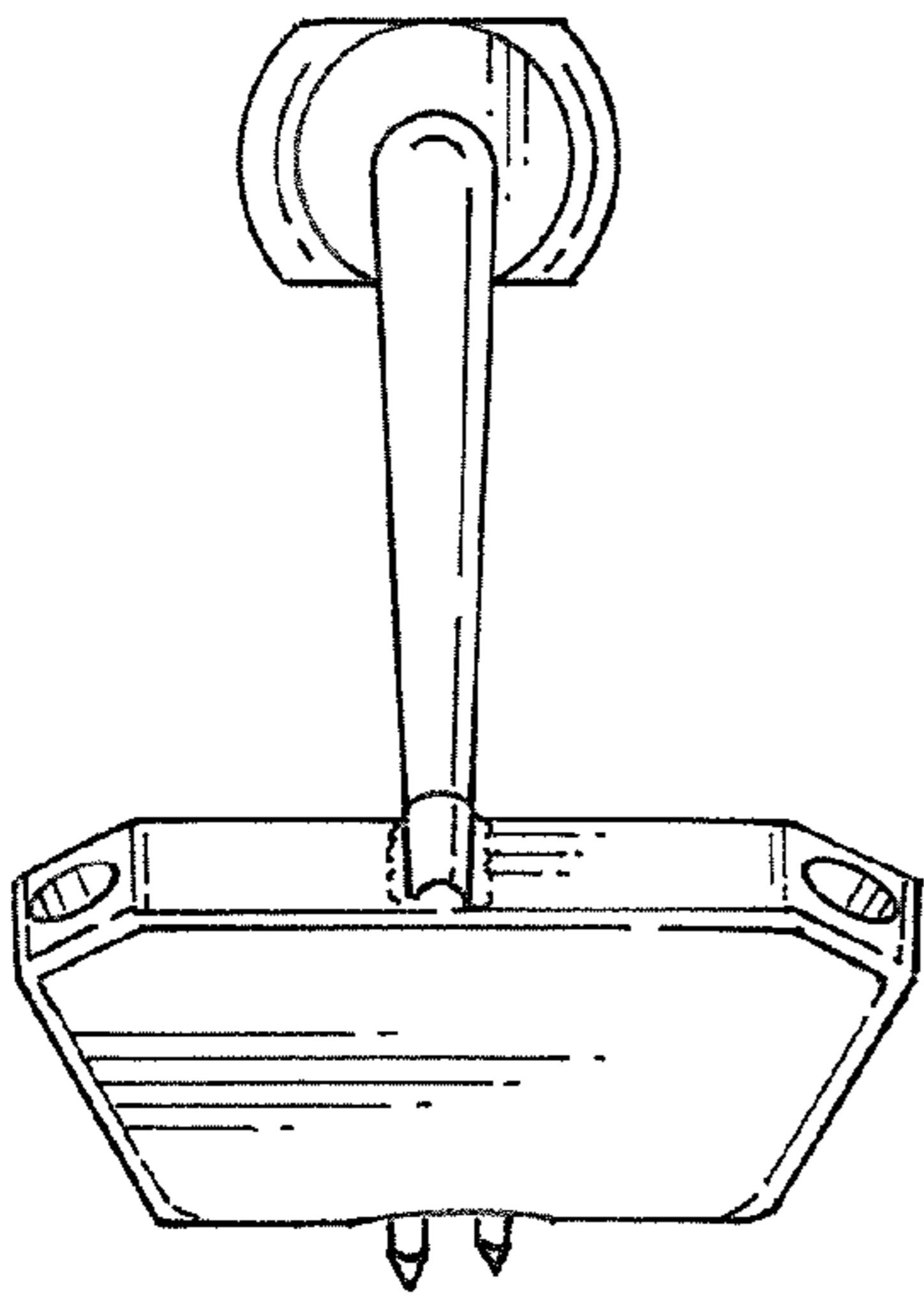
FIG. 2



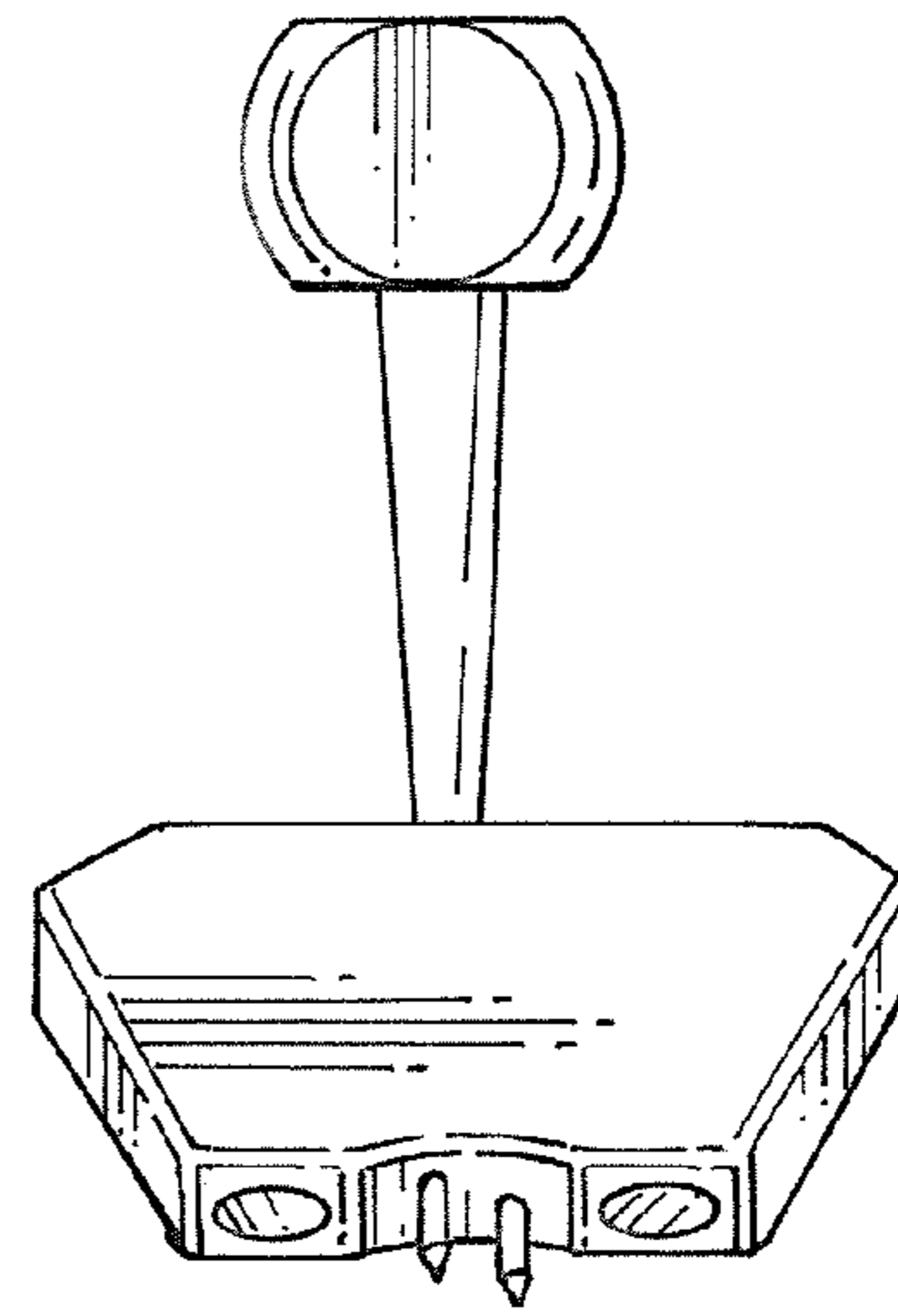
*FIG. 4*



*FIG. 3*



*FIG. 5*



*FIG. 6*