



US00D630740S

(12) **United States Design Patent**  
**Tenger et al.**

(10) **Patent No.:** **US D630,740 S**  
(45) **Date of Patent:** **\*\* Jan. 11, 2011**

(54) **LARYNGOSCOPE BLADE**

6,569,089 B1 5/2003 Covington et al.  
6,666,819 B2 \* 12/2003 Heine et al. .... 600/199

(75) Inventors: **James P. Tenger**, Carlsbad, CA (US);  
**Leslie A. Tenger**, Carlsbad, CA (US);  
**John R. Hicks**, Carlsbad, CA (US)

(Continued)

**FOREIGN PATENT DOCUMENTS**

(73) Assignee: **Intubrite, LLC**, Vista, CA (US)

KR 1020070044379 4/2007

(Continued)

(\*\*) Term: **14 Years**

**OTHER PUBLICATIONS**

(21) Appl. No.: **29/352,665**

International Search Report and Written Opinion for PCT/US08/074878 dated Mar. 19, 2009.

(22) Filed: **Dec. 23, 2009**

*Primary Examiner*—Bridget L Eland

(51) **LOC (9) Cl.** ..... **24-02**

(74) *Attorney, Agent, or Firm*—Stephen C. Beuerle; Procopio, Cory, Hargreaves & Savitch LLP

(52) **U.S. Cl.** ..... **D24/137**

(58) **Field of Classification Search** ..... D24/137,  
D24/133, 135, 138; D8/34, 40; 600/185–200;  
606/191–200

(57) **CLAIM**

See application file for complete search history.

The ornamental design for a laryngoscope blade, as shown and described.

(56) **References Cited**

**DESCRIPTION**

**U.S. PATENT DOCUMENTS**

FIG. 1 is a perspective view of a laryngoscope blade.

2,289,226	A *	7/1942	Von Foregger	600/193
D185,398	S	6/1959	Todt	
3,856,001	A *	12/1974	Phillips	600/194
3,943,920	A *	3/1976	Kandel	600/190
D271,135	S	10/1983	Greenblatt	
4,527,553	A *	7/1985	Upsher	600/188
D297,363	S	8/1988	Salerno et al.	
4,782,819	A	11/1988	Adair	
D312,308	S *	11/1990	Abadir	D24/138
D312,500	S *	11/1990	Abadir	D24/138
D337,384	S	7/1993	Schucman	
5,984,863	A *	11/1999	Ansari	600/185
D435,655	S *	12/2000	Tamirisa	D24/137
D449,499	S	10/2001	Voges	
6,459,919	B1	10/2002	Lys et al.	
6,471,643	B1 *	10/2002	Henderson	600/185

FIG. 2 is a top plan view of the laryngoscope blade.

FIG. 3 is a rear elevational view of the laryngoscope blade.

FIG. 4 is a right side elevational view of the laryngoscope blade.

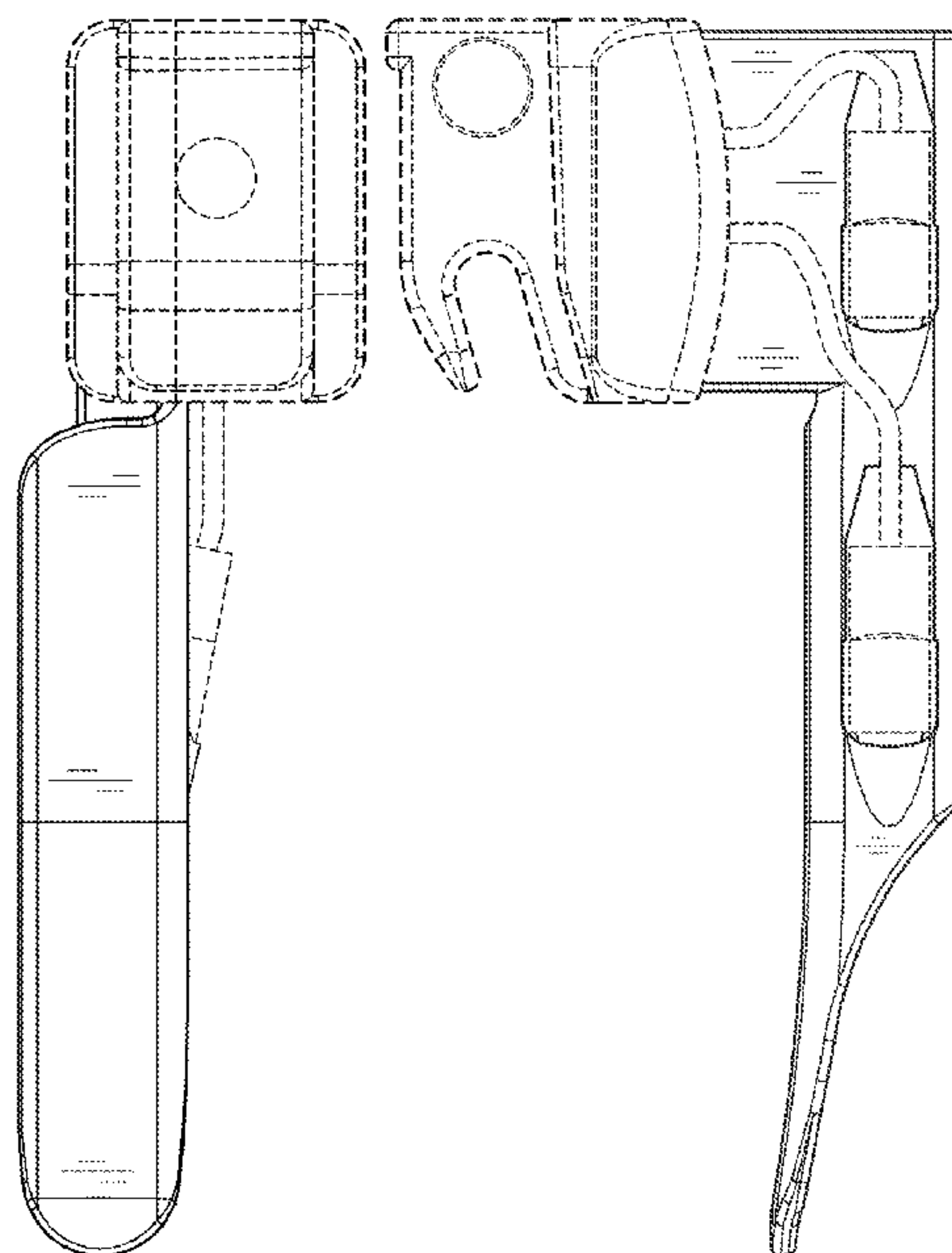
FIG. 5 is a left side elevational view of the laryngoscope blade.

FIG. 6 is a bottom plan view of the laryngoscope blade; and,

FIG. 7 is a front elevational view of the laryngoscope blade.

The broken lines shown in FIGS. 1-7 are included for the purpose of illustrating environmental elements only and form no part of the claimed design.

**1 Claim, 3 Drawing Sheets**



# US D630,740 S

Page 2

## U.S. PATENT DOCUMENTS

D491,267 S 6/2004 Ashraf  
6,809,499 B2 10/2004 Solingen  
6,876,446 B2 4/2005 Taylor et al.  
D512,778 S 12/2005 Ashraf  
7,052,456 B2 5/2006 Simon  
D541,937 S 5/2007 Yee  
D544,601 S \* 6/2007 Iqbal ..... D24/137  
D547,449 S 7/2007 Ashraf  
D550,841 S 9/2007 Berci et al.  
D554,255 S 10/2007 Iqbal  
7,308,296 B2 12/2007 Lys et al.  
D559,982 S 1/2008 Iqbal

D581,532 S 11/2008 Cranton et al.  
2003/0191459 A1 10/2003 Ganz et al.  
2006/0069314 A1 3/2006 Farr  
2007/0195539 A1\* 8/2007 Birnkrant ..... 362/458  
2007/0276185 A1 11/2007 Gono et al.  
2007/0276191 A1 11/2007 Selover et al.  
2008/0015560 A1 1/2008 Gowda et al.  
2008/0045800 A2 2/2008 Farr  
2010/0152541 A1\* 6/2010 Tenger et al. .... 600/194

## FOREIGN PATENT DOCUMENTS

WO WO93/1170 6/1993

\* cited by examiner

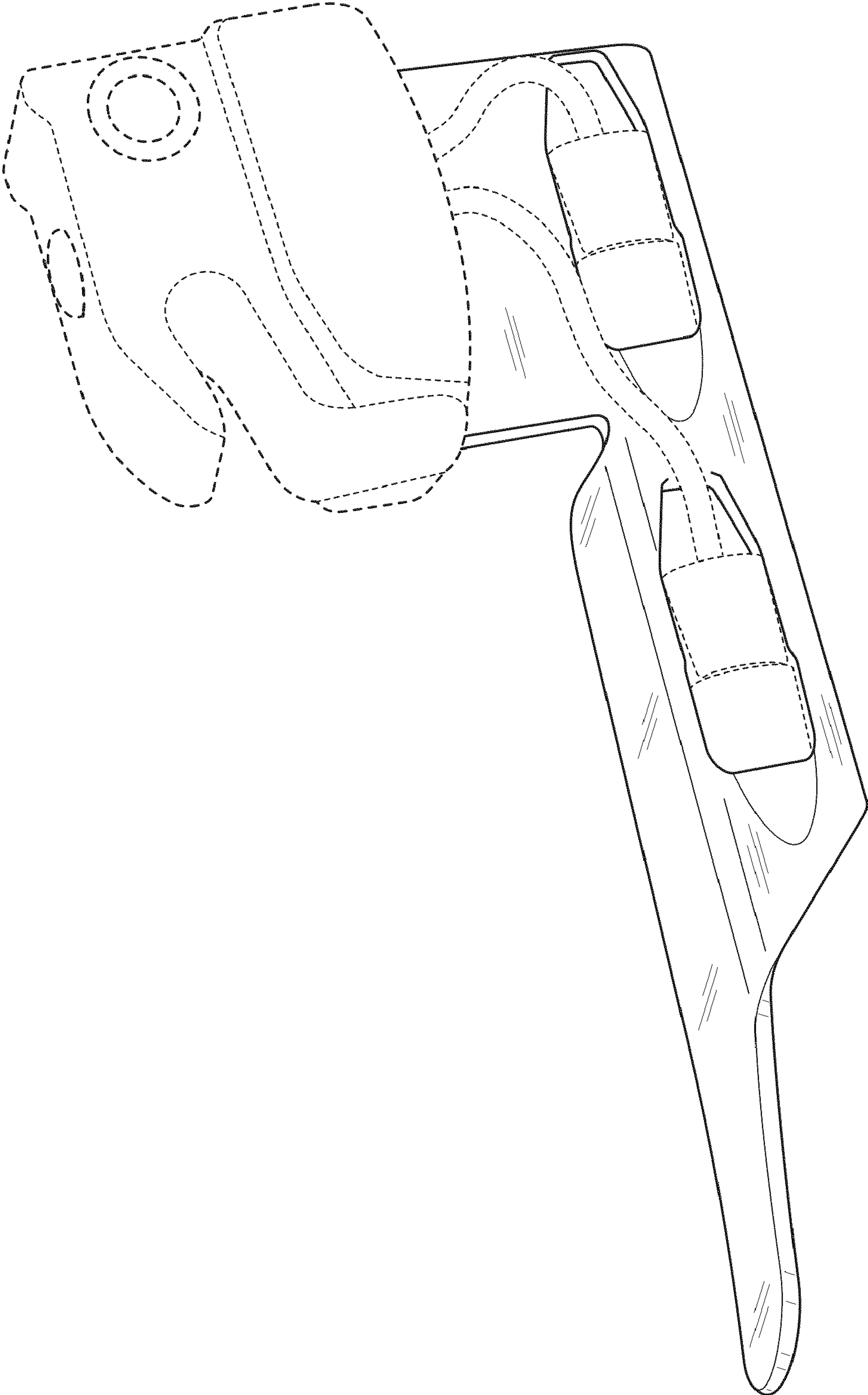


FIG. 1

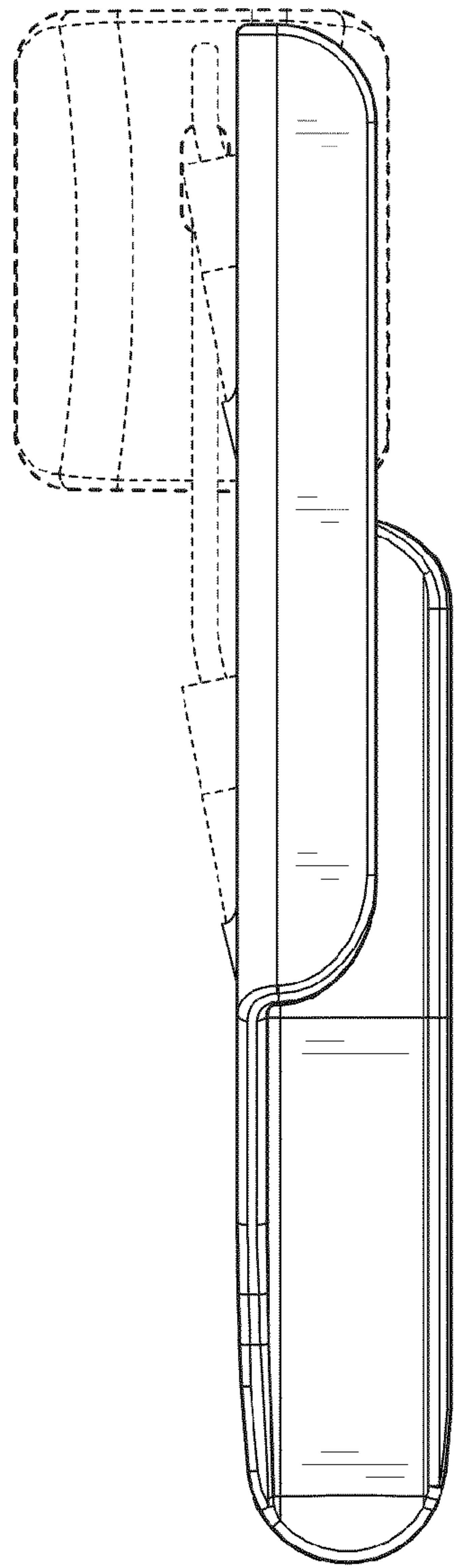


FIG. 2

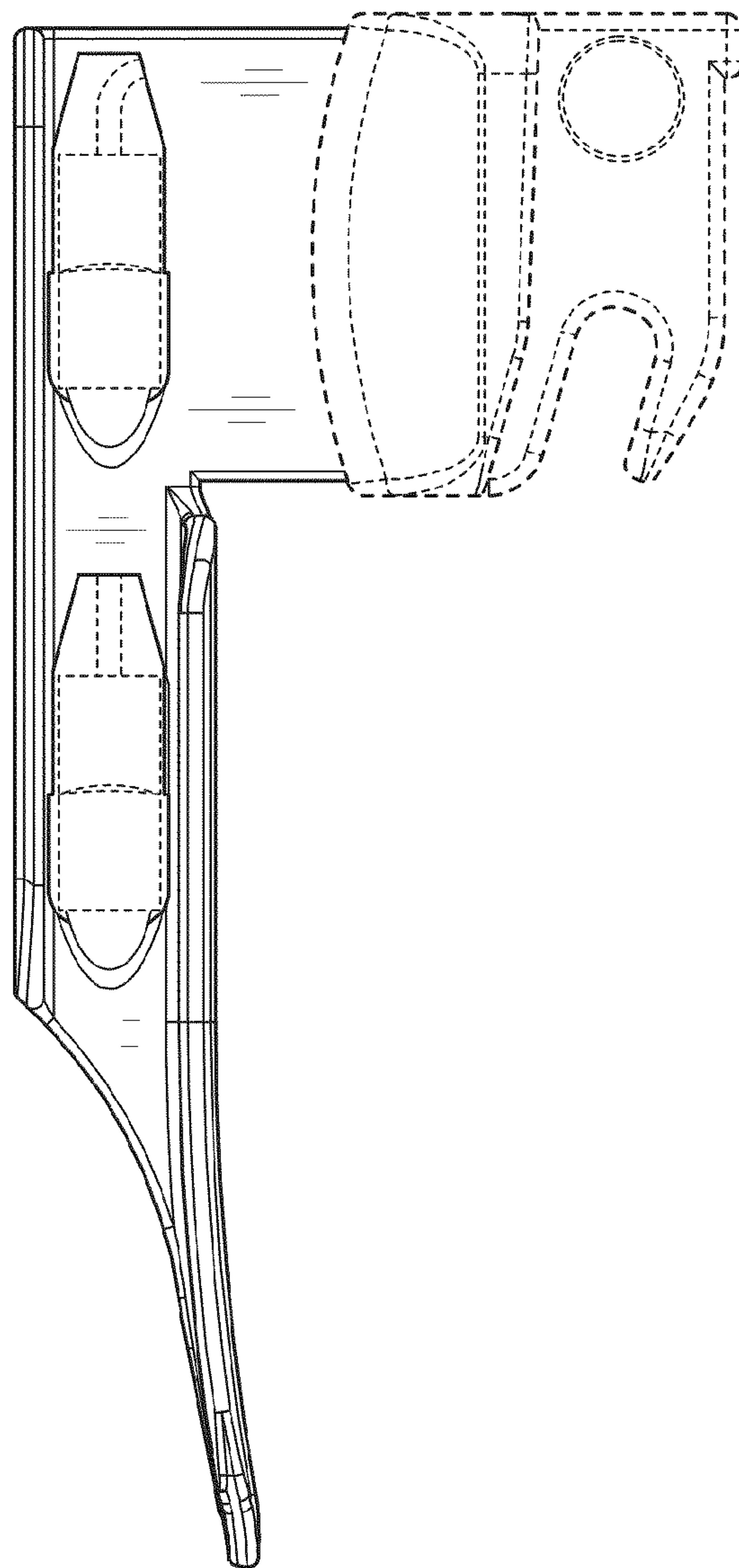


FIG. 3

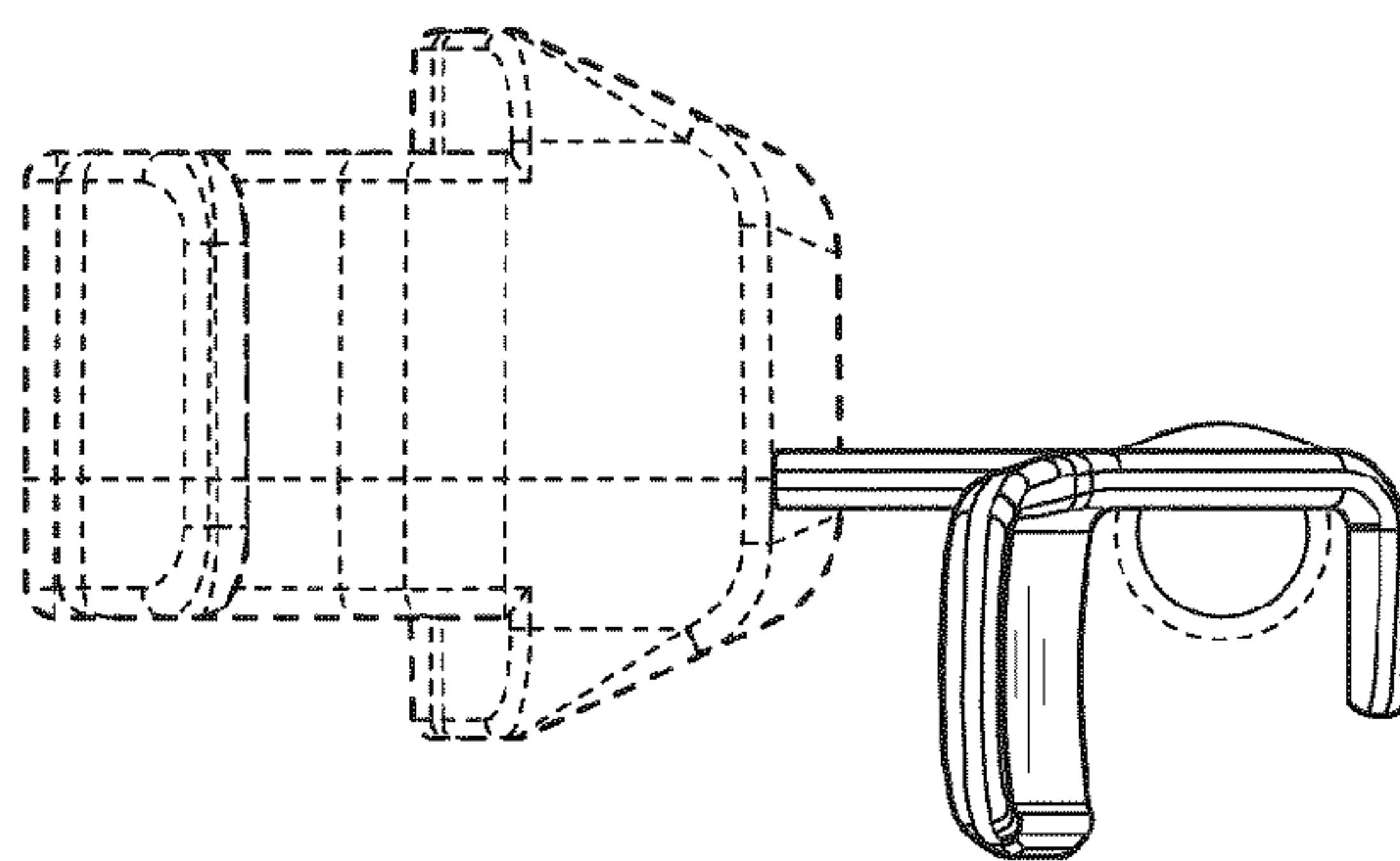


FIG. 4



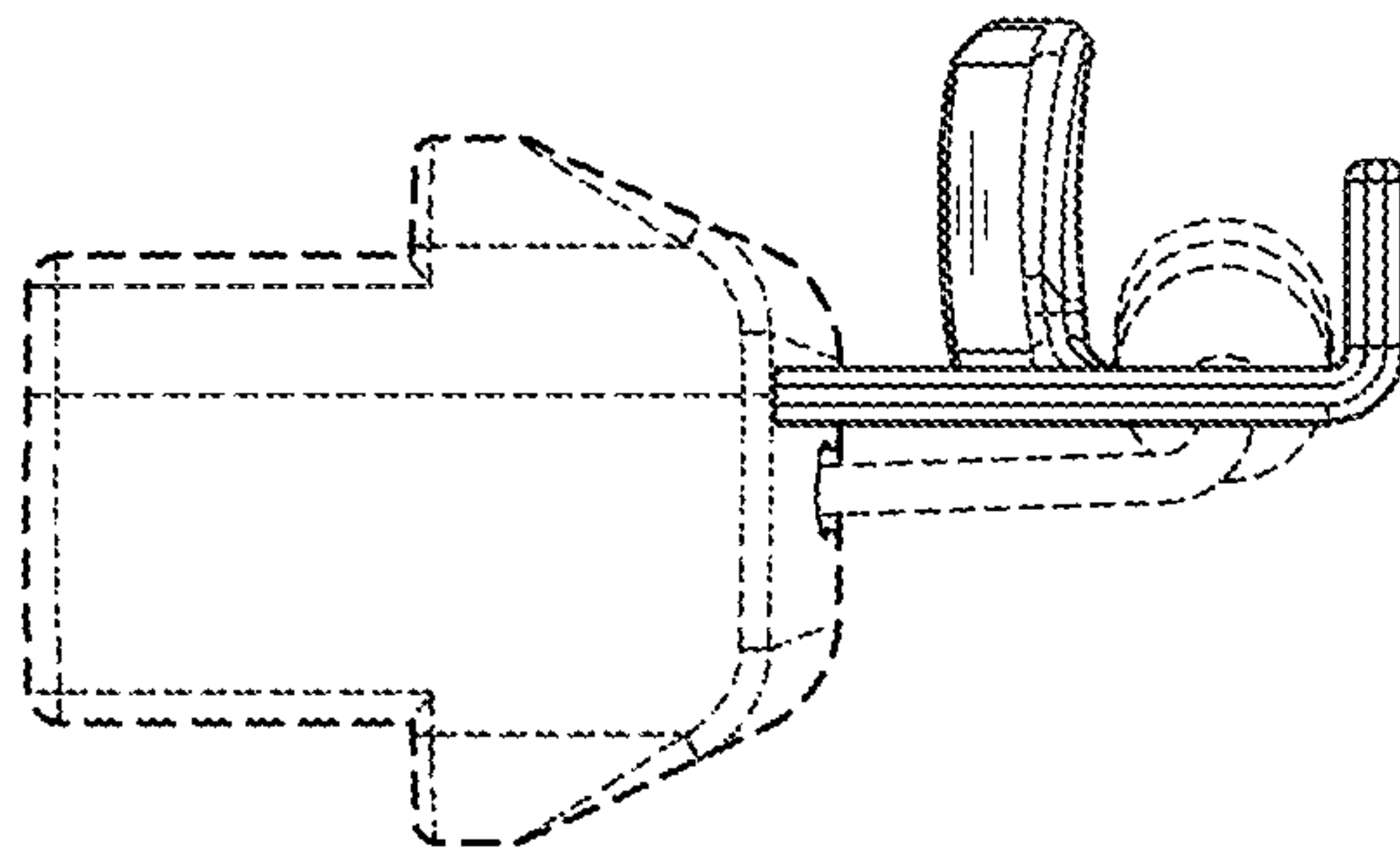


FIG. 5

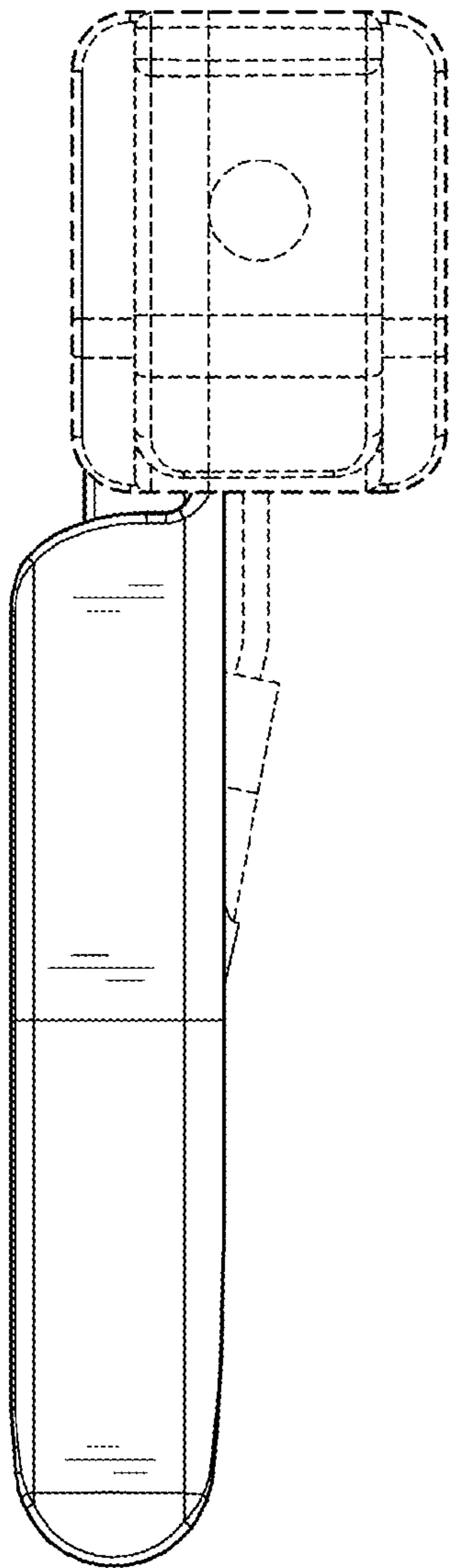


FIG. 6

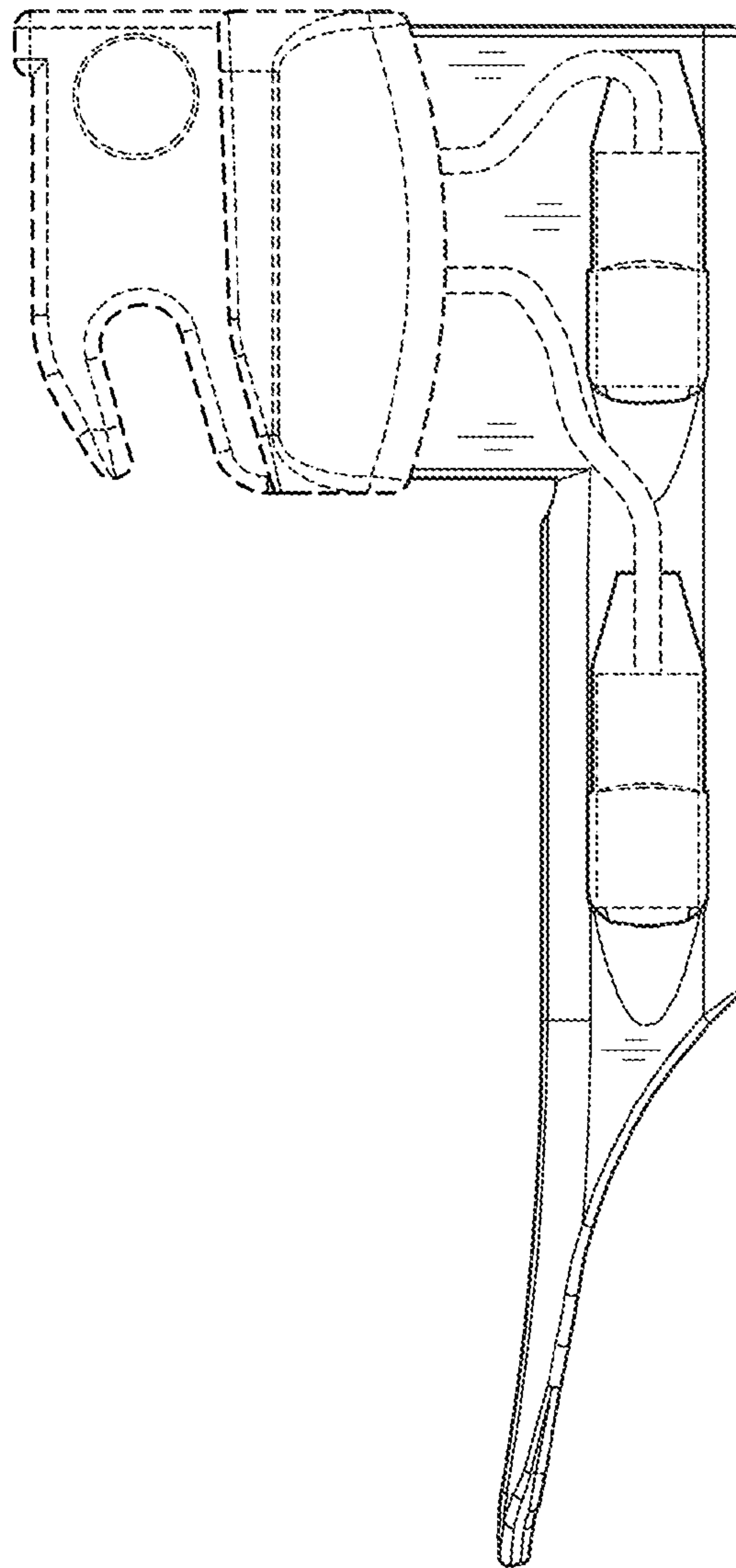


FIG. 7