



US00D630738S

(12) **United States Design Patent**  
**Tenger et al.**

(10) **Patent No.:** **US D630,738 S**  
(45) **Date of Patent:** **\*\* Jan. 11, 2011**

(54) **LARYNGOSCOPE BLADE**

D541,937 S 5/2007 Yee  
D547,449 S 7/2007 Ashraf

(75) Inventors: **James P. Tenger**, Carlsbad, CA (US);  
**Leslie A. Tenger**, Carlsbad, CA (US);  
**John R. Hicks**, Carlsbad, CA (US)

(Continued)

FOREIGN PATENT DOCUMENTS

(73) Assignee: **Intubrite, LLC**, Vista, CA (US)

KR 1020070044379 4/2007

(Continued)

(\*\*) Term: **14 Years**

OTHER PUBLICATIONS

(21) Appl. No.: **29/352,454**

International Search Report and Written Opinion for PCT/US08/074878 dated Mar. 19, 2009.

(22) Filed: **Dec. 21, 2009**

*Primary Examiner*—Bridget L Eland

(51) **LOC (9) Cl.** ..... **24-02**

(52) **U.S. Cl.** ..... **D24/137**

(58) **Field of Classification Search** ..... D24/137,  
D24/133, 135, 138; D8/34, 40; 600/185–200;  
606/191–200

(74) *Attorney, Agent, or Firm*—Stephen C. Beuerle;  
Procopio, Cory, Hargreaves & Savitch LLP

See application file for complete search history.

(57) **CLAIM**

The ornamental design for a laryngoscope blade, as shown and described.

(56) **References Cited**

**DESCRIPTION**

U.S. PATENT DOCUMENTS

D185,398 S	6/1959	Todt	
D271,135 S	10/1983	Greenblatt	
4,556,052 A *	12/1985	Muller	600/193
D297,363 S	8/1988	Salerno et al.	
4,782,819 A	11/1988	Adair	
D337,384 S	7/1993	Schucman	
5,425,356 A *	6/1995	Ough	600/245
D449,499 S	10/2001	Voges	
6,459,919 B1	10/2002	Lys et al.	
6,569,089 B1	5/2003	Covington et al.	
6,676,598 B2 *	1/2004	Rudischhauser et al.	600/188
D491,267 S	6/2004	Ashraf	
6,809,499 B2	10/2004	Solingen	
6,876,446 B2	4/2005	Taylor et al.	
D512,778 S	12/2005	Ashraf	
7,052,456 B2	5/2006	Simon	

FIG. 1 is a perspective view of a laryngoscope blade.

FIG. 2 is a top plan view of the laryngoscope blade.

FIG. 3 is a rear elevational view of the laryngoscope blade.

FIG. 4 is a right side elevational view of the laryngoscope blade.

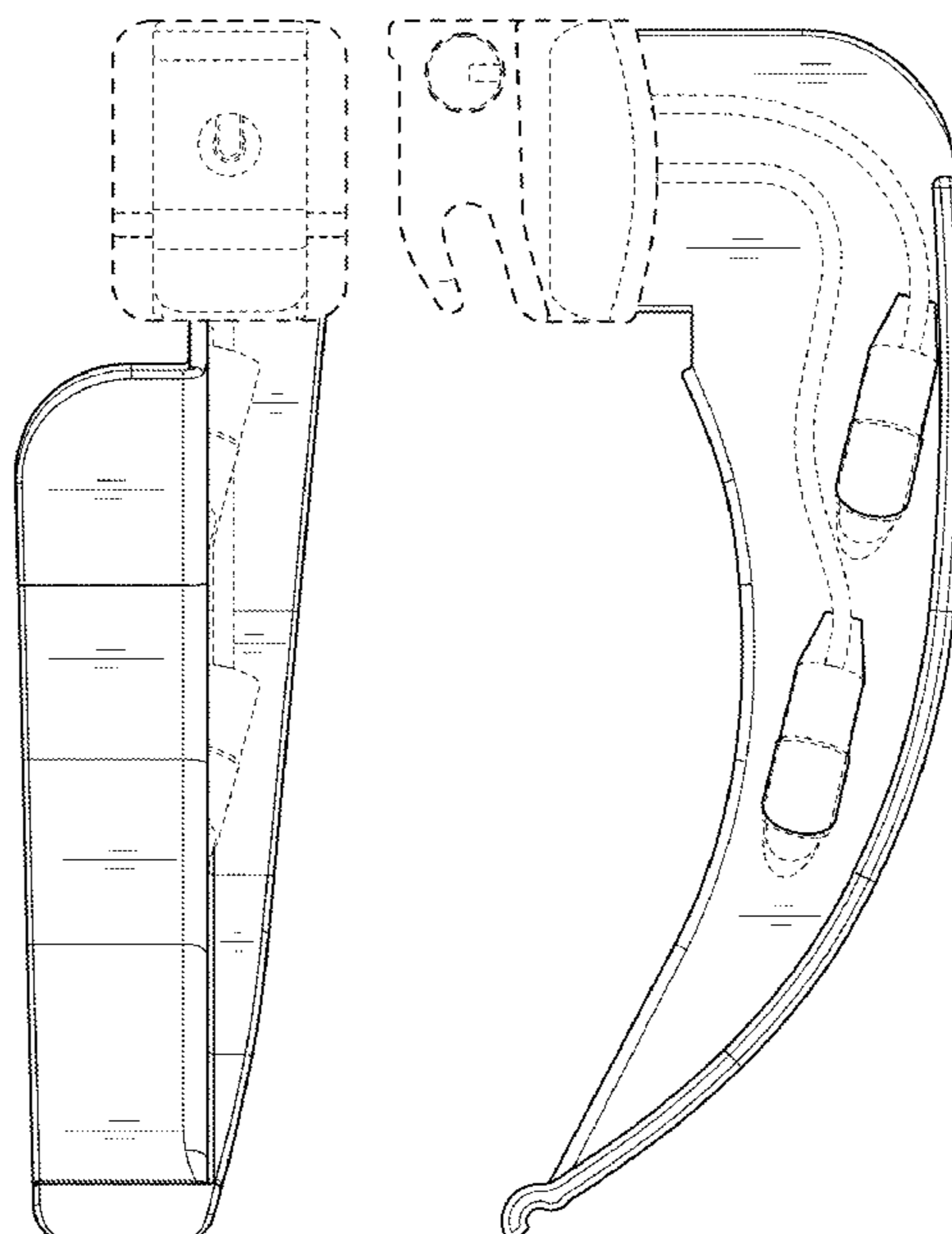
FIG. 5 is a left side elevational view of the laryngoscope blade.

FIG. 6 is a bottom plan view of the laryngoscope blade; and,

FIG. 7 is a front elevational view of the laryngoscope blade.

The broken lines shown in FIGS. 1-7 are included for the purpose of illustrating environmental elements only and form no part of the claimed design.

**1 Claim, 3 Drawing Sheets**



# US D630,738 S

Page 2

---

## U.S. PATENT DOCUMENTS

D550,841 S 9/2007 Berci et al.  
D554,255 S 10/2007 Iqbal  
7,308,296 B2 12/2007 Lys et al.  
D559,982 S 1/2008 Iqbal  
D581,532 S 11/2008 Cranton et al.  
D609,808 S \* 2/2010 Tenger et al. .... D24/137  
2003/0191459 A1 10/2003 Ganz et al.  
2006/0069314 A1 3/2006 Farr  
2007/0276185 A1 11/2007 Gono et al.

2007/0276191 A1 11/2007 Selover et al.  
2008/0015560 A1 1/2008 Gowda et al.  
2008/0045800 A2 2/2008 Farr  
2009/0318768 A1\* 12/2009 Tenger et al. .... 600/194  
2010/0152541 A1\* 6/2010 Tenger et al. .... 600/194

## FOREIGN PATENT DOCUMENTS

WO WO93/1170 6/1993

\* cited by examiner

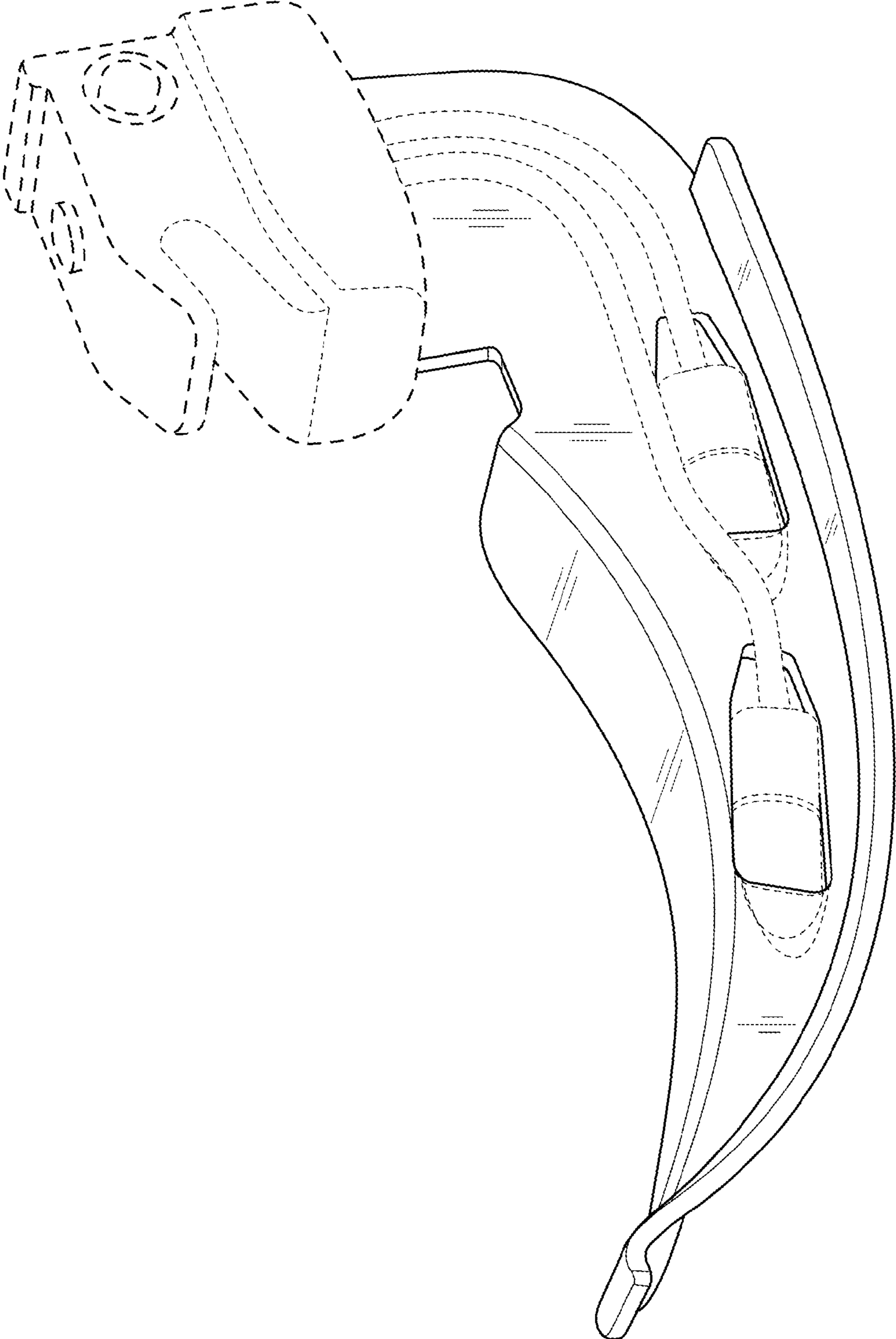


FIG. 1

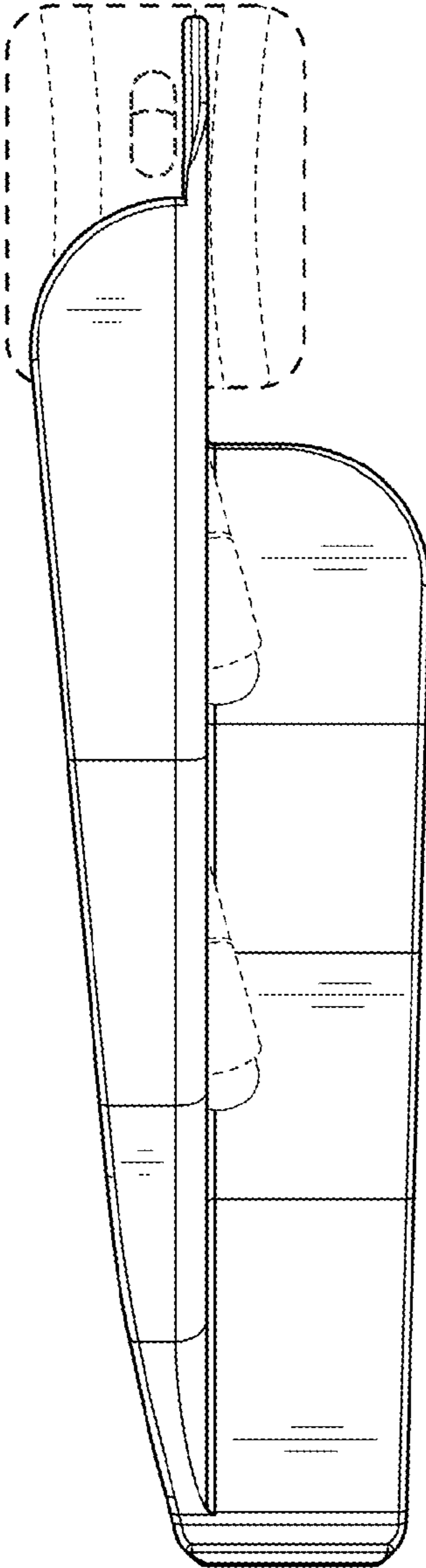


FIG. 2

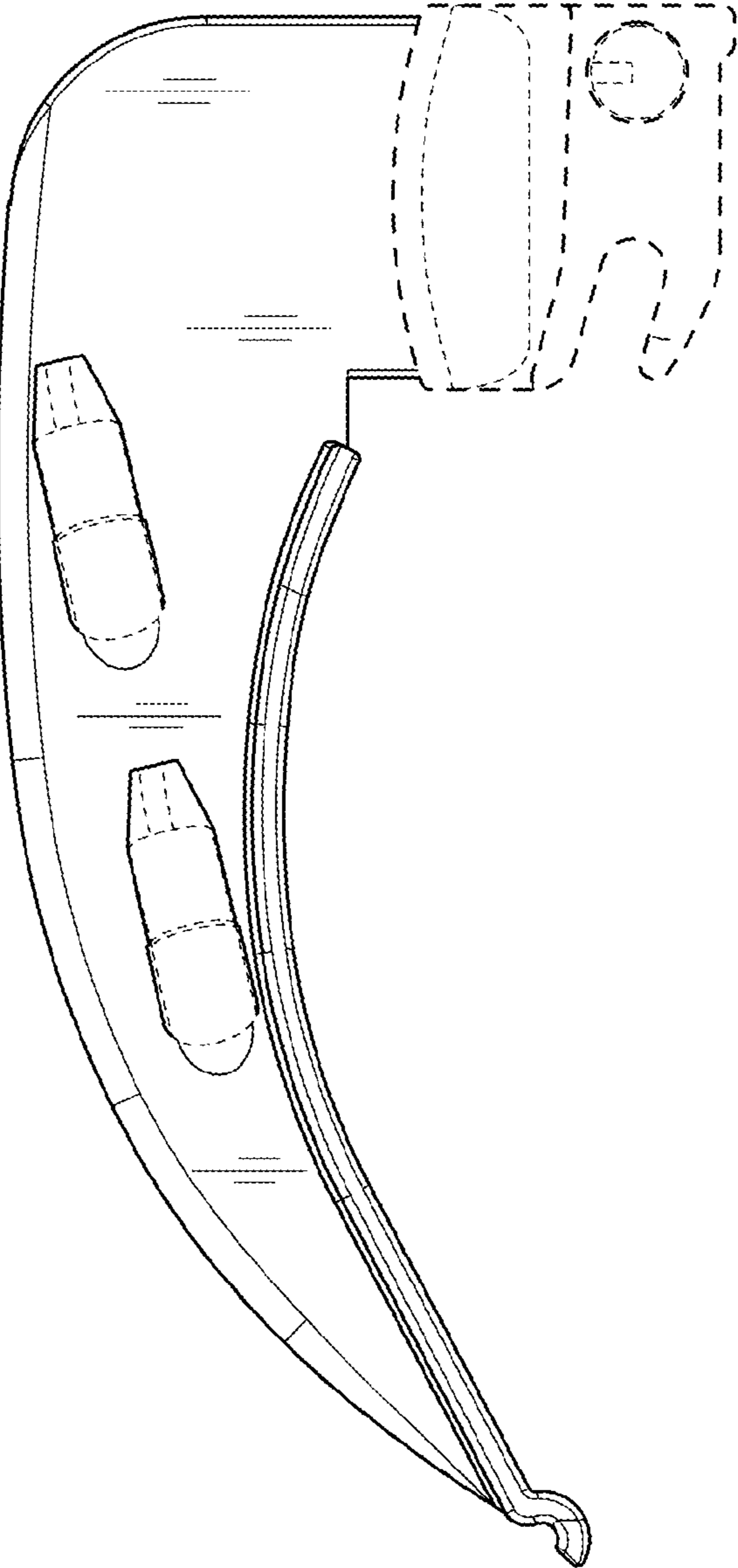


FIG. 3

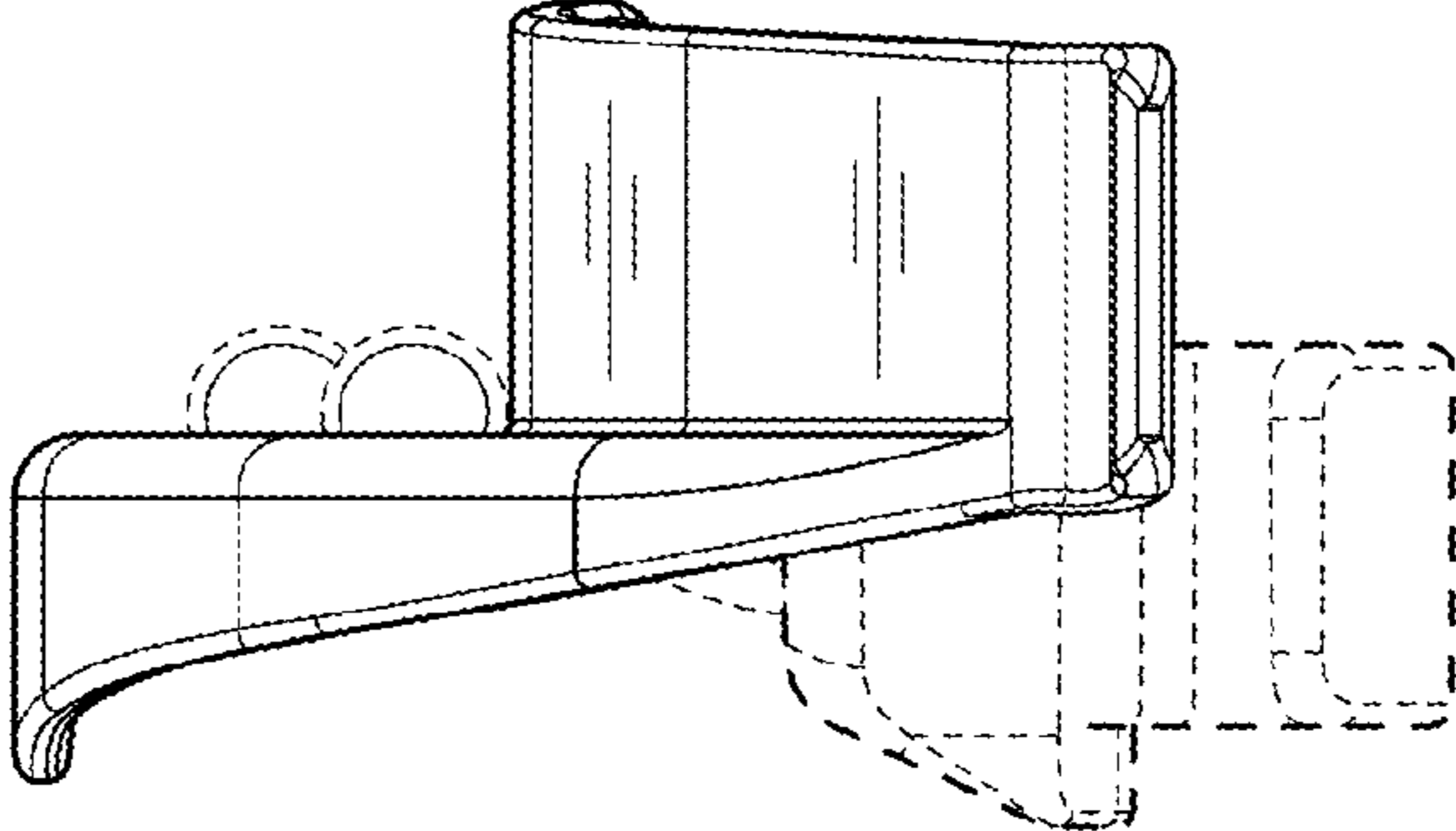


FIG. 4

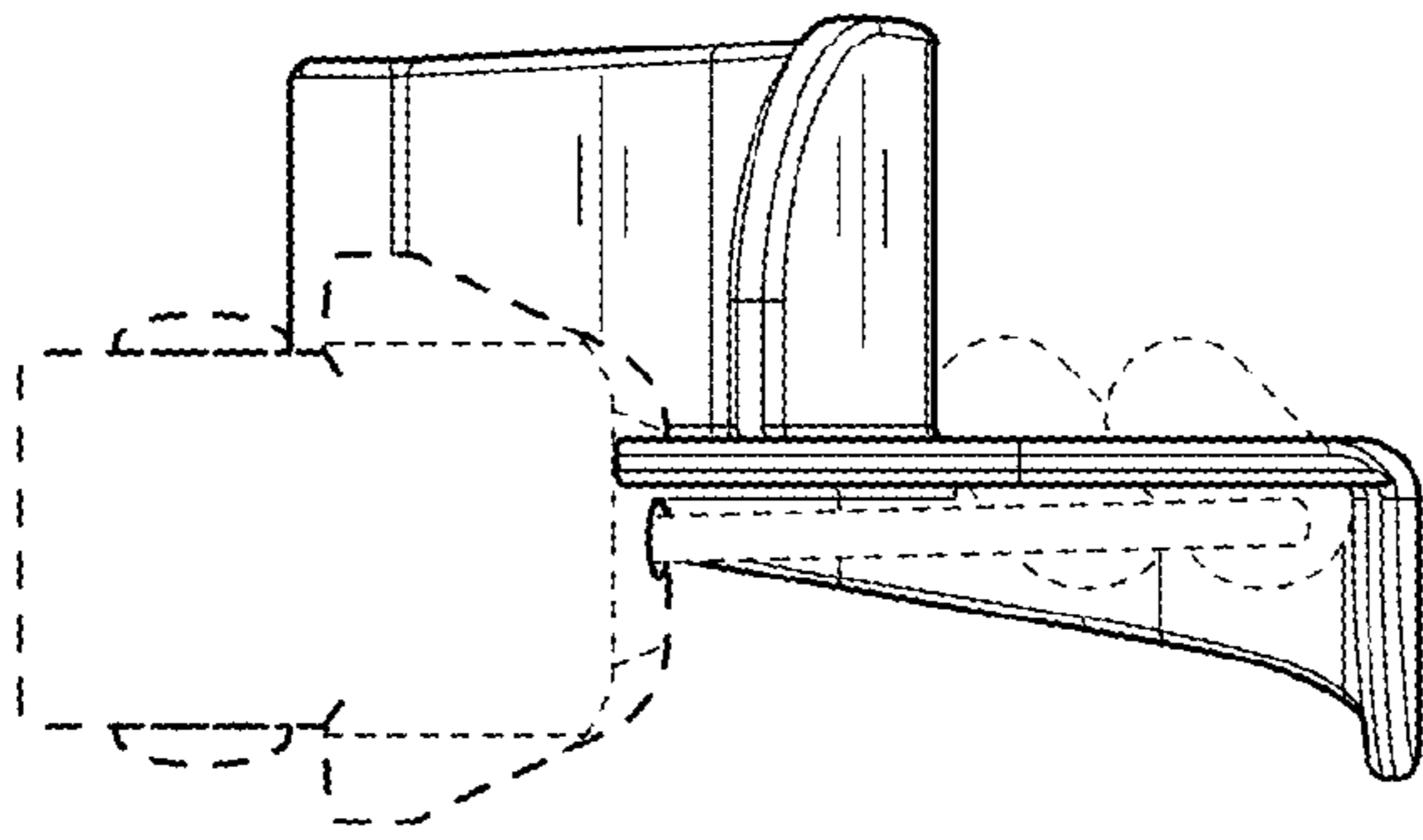


FIG. 5

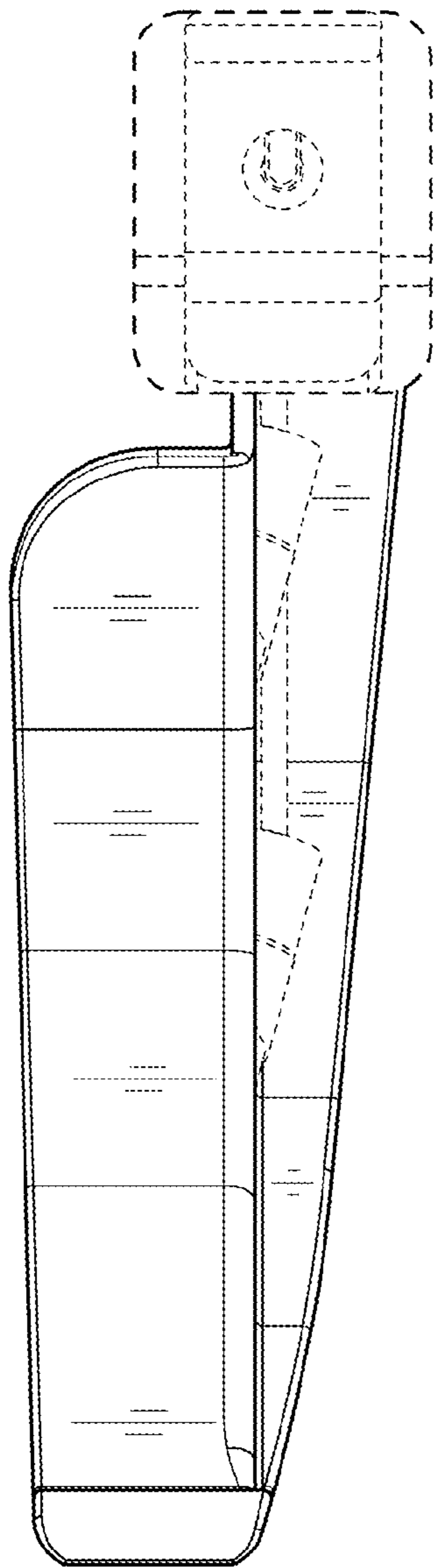


FIG. 6

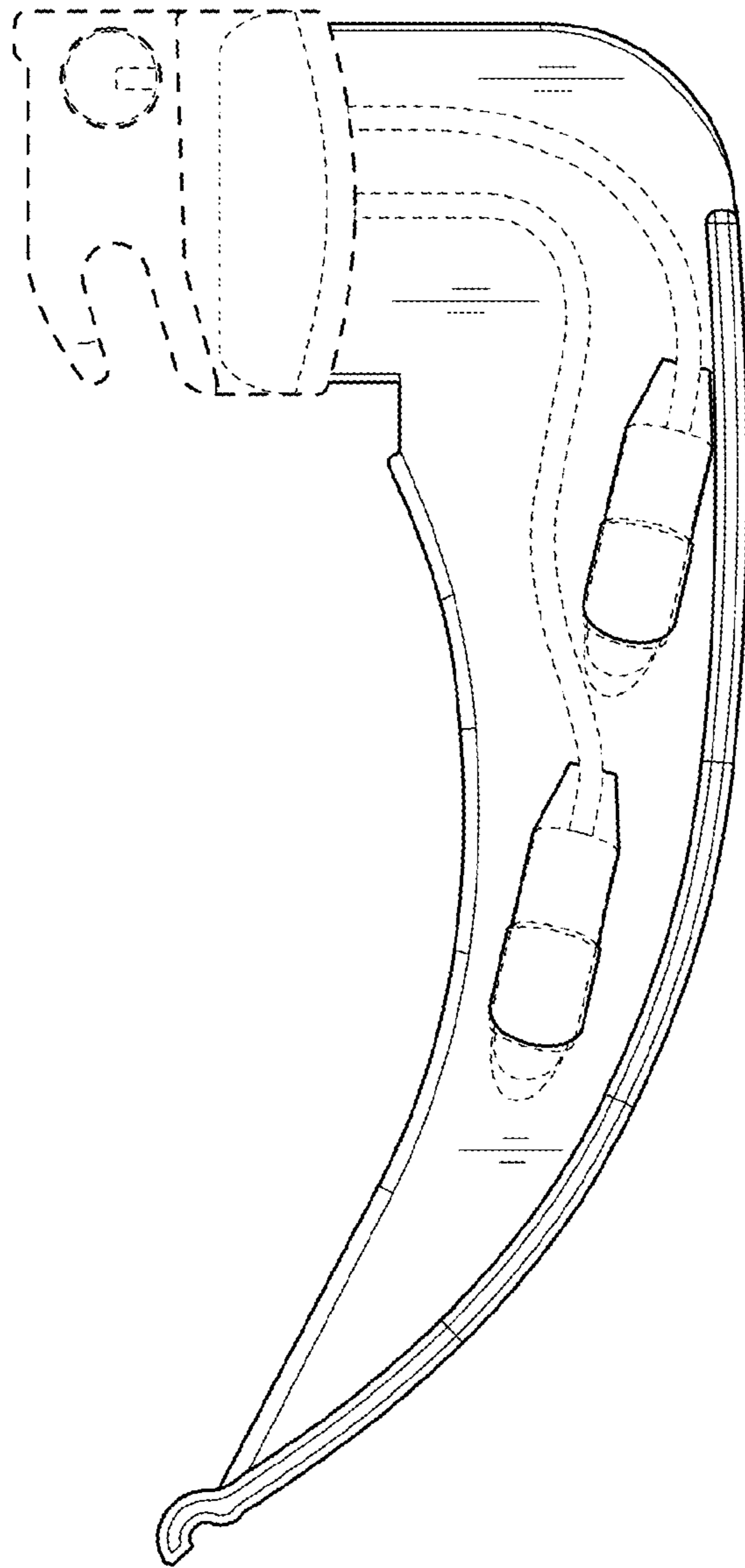


FIG. 7