



US00D630736S

(12) **United States Design Patent**
Wang

(10) **Patent No.:** **US D630,736 S**
(45) **Date of Patent:** **** Jan. 11, 2011**

- (54) **OPEN-END RATCHET RACK OF RETRACTOR**
- (75) Inventor: **Shyh-Jen Wang**, No. 201, Shih-Pai Road Section II, Taipei (TW)
- (73) Assignee: **Shyh-Jen Wang**, Taipei (TW)
- (**) Term: **14 Years**
- (21) Appl. No.: **29/358,484**
- (22) Filed: **Mar. 27, 2010**
- (51) **LOC (9) Cl.** **24-02**
- (52) **U.S. Cl.** **D24/135**
- (58) **Field of Classification Search** D24/135, D24/133; 600/201, 208, 213, 226, 227, 228, 600/231
See application file for complete search history.

(56) **References Cited**

U.S. PATENT DOCUMENTS

D412,576	S *	8/1999	Austin et al.	D24/135
6,056,689	A *	5/2000	Lenox et al.	600/217
D427,678	S *	7/2000	Koros et al.	D24/133
D581,531	S *	11/2008	Alinsod et al.	D24/135
D600,807	S *	9/2009	Dienst et al.	D24/140
2002/0007188	A1 *	1/2002	Arambula et al.	606/130
2007/0161867	A1 *	7/2007	Fowler et al.	600/233

2007/0238933	A1 *	10/2007	Alinsod et al.	600/231
2008/0269564	A1 *	10/2008	Gelnett	600/201
2008/0300465	A1 *	12/2008	Feigenwinter et al.	600/201
2009/0149847	A1 *	6/2009	Yadin et al.	606/27
2009/0198235	A1 *	8/2009	Steiner et al.	606/57
2009/0264882	A1 *	10/2009	Steiner et al.	606/56

* cited by examiner

Primary Examiner—Bridget L Eland

(57) **CLAIM**

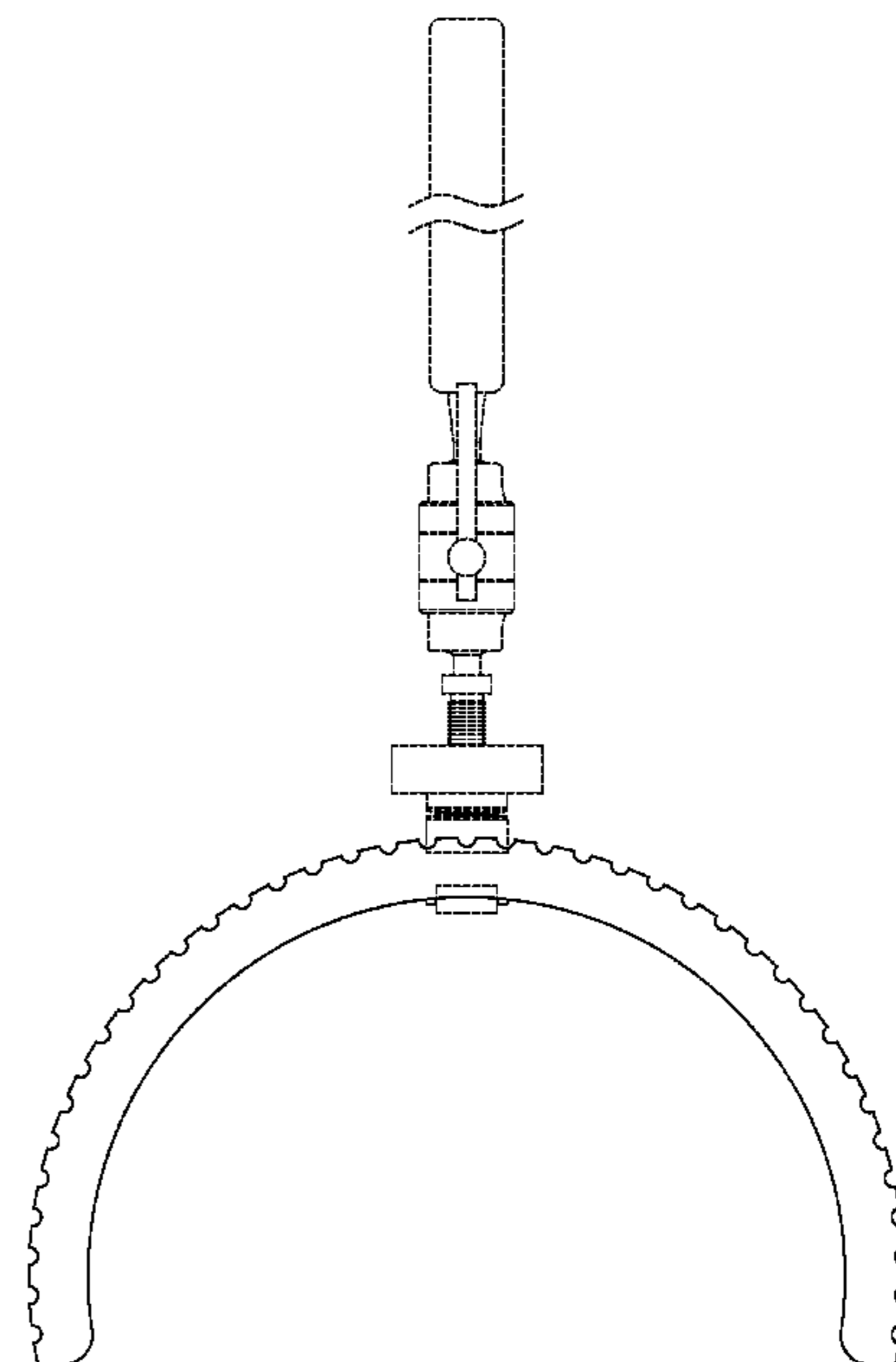
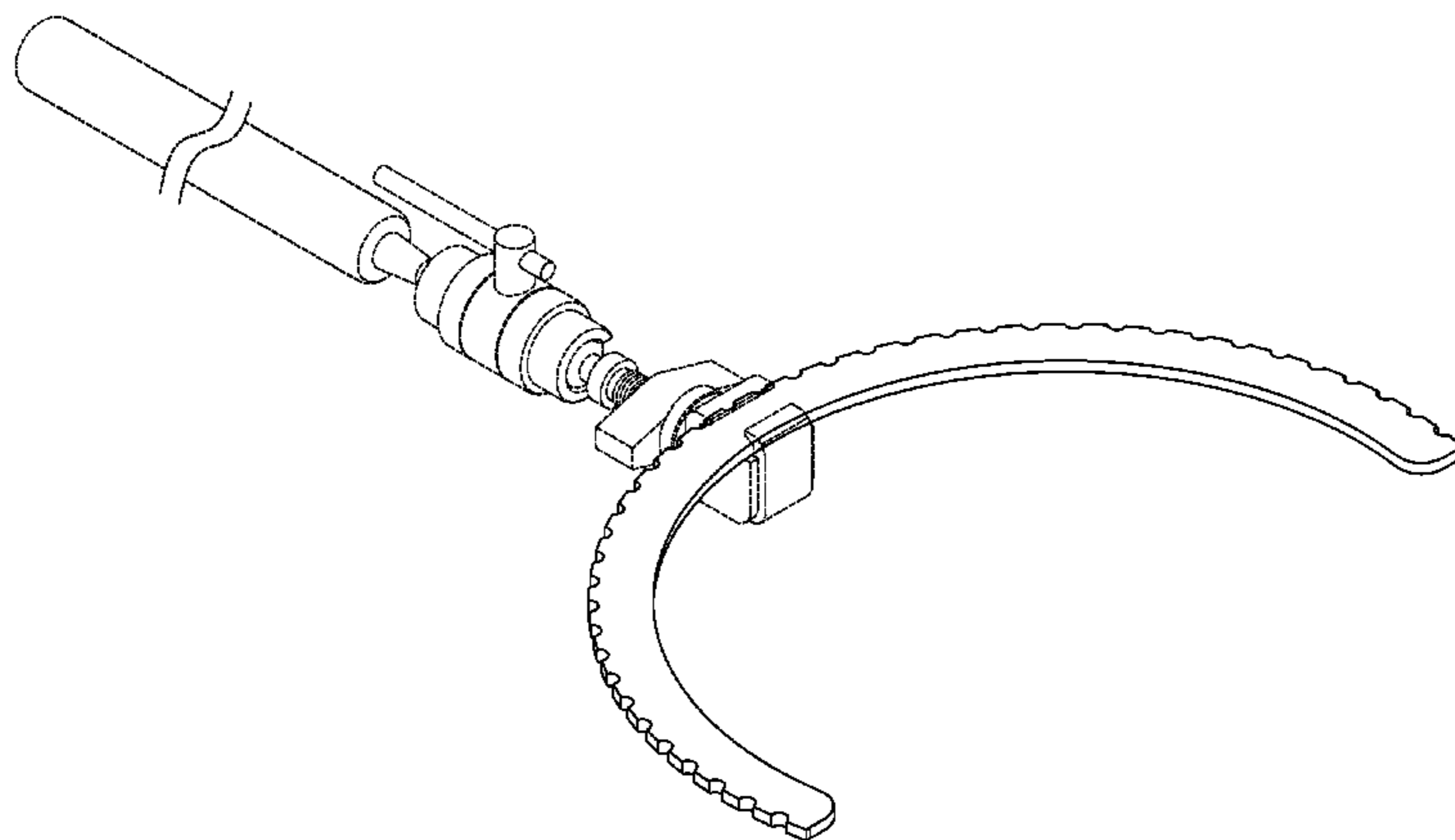
The ornamental design for an open-end ratchet rack of retractor, as shown and described.

DESCRIPTION

- FIG. 1 is a perspective view of an open-end ratchet rack of retractor showing the design;
- FIG. 2 is a right side view thereof;
- FIG. 3 is a left side view thereof;
- FIG. 4 is a front view thereof;
- FIG. 5 is a rear view thereof;
- FIG. 6 is a top plan view thereof; and,
- FIG. 7 is a bottom plan view thereof.

The broken line structure in the drawings is environmental matter and forms no part of the claimed invention.

1 Claim, 6 Drawing Sheets



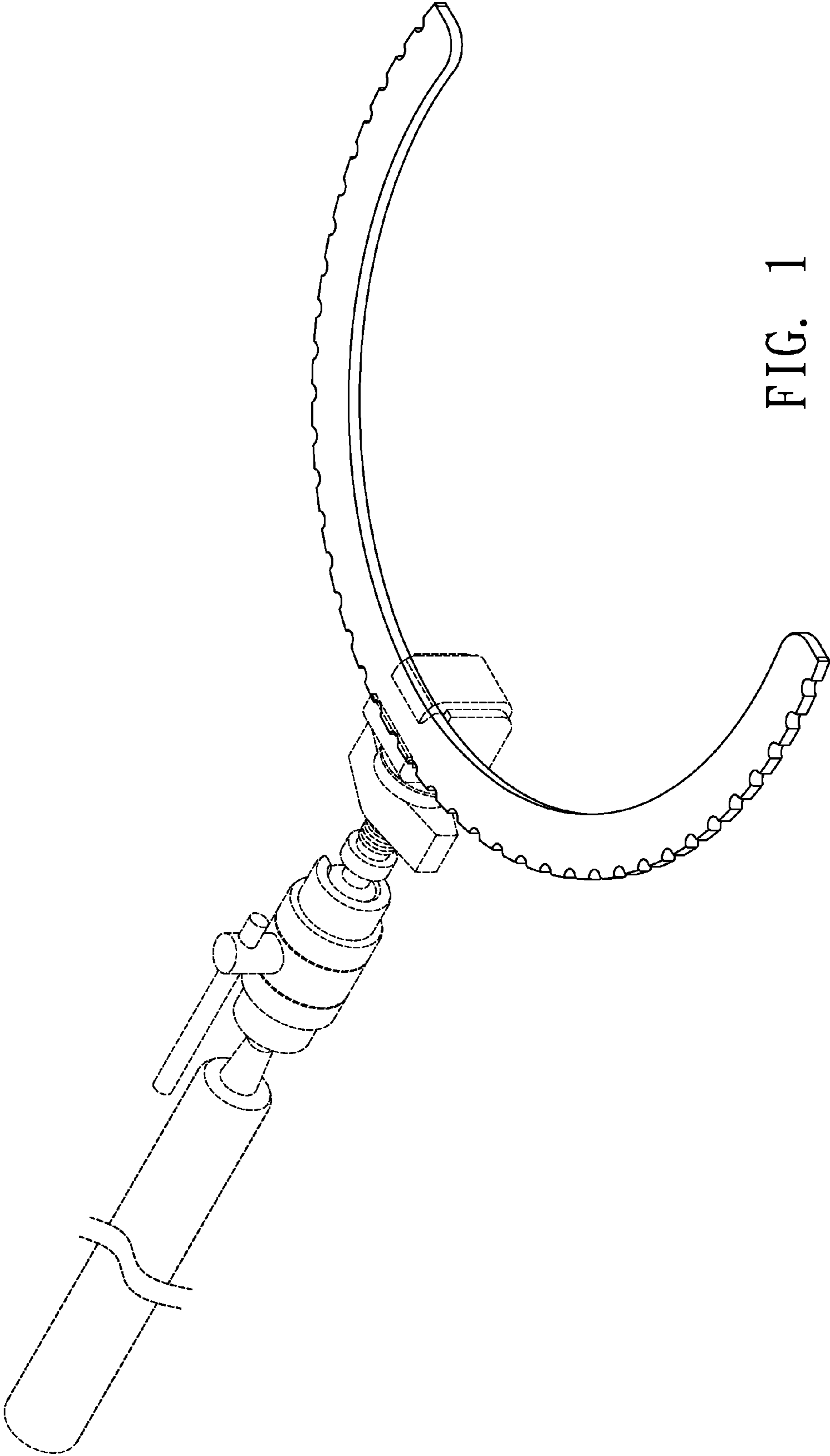


FIG. 1

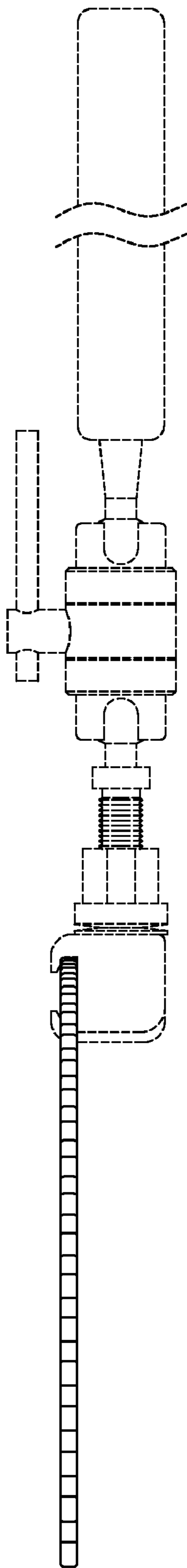


FIG. 2

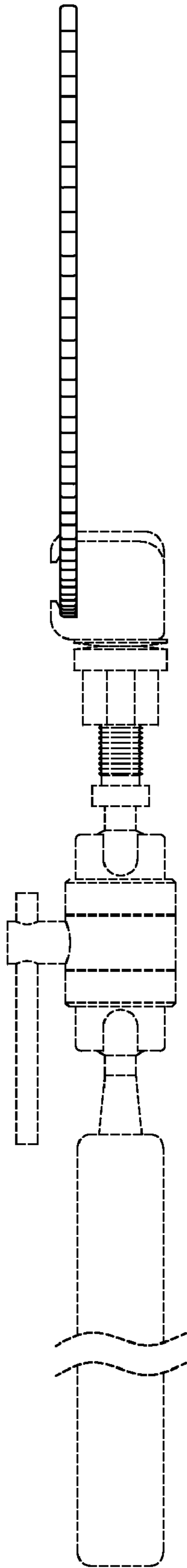


FIG. 3

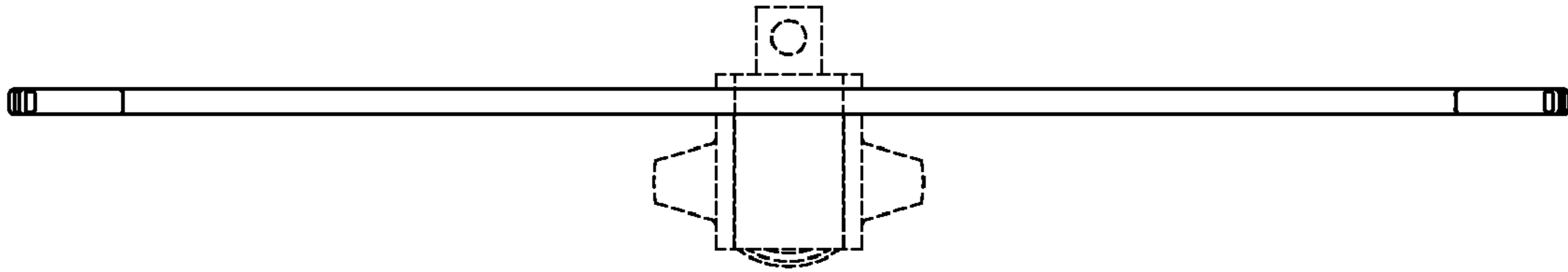


FIG. 4

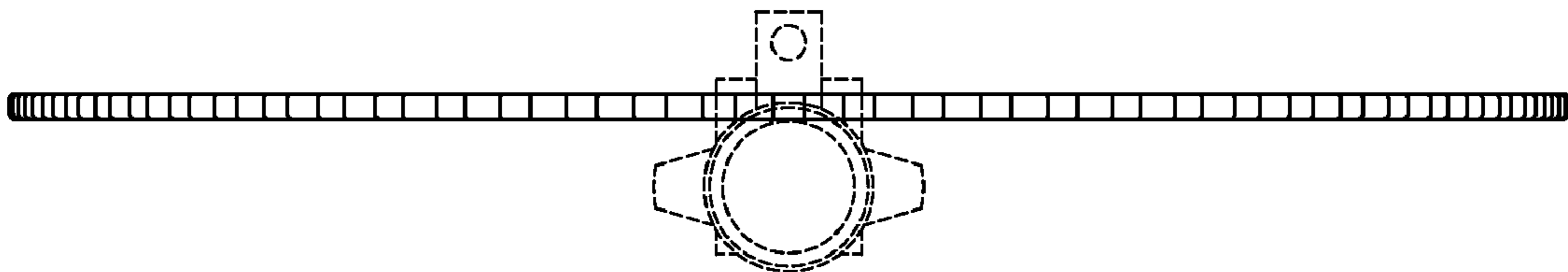


FIG. 5

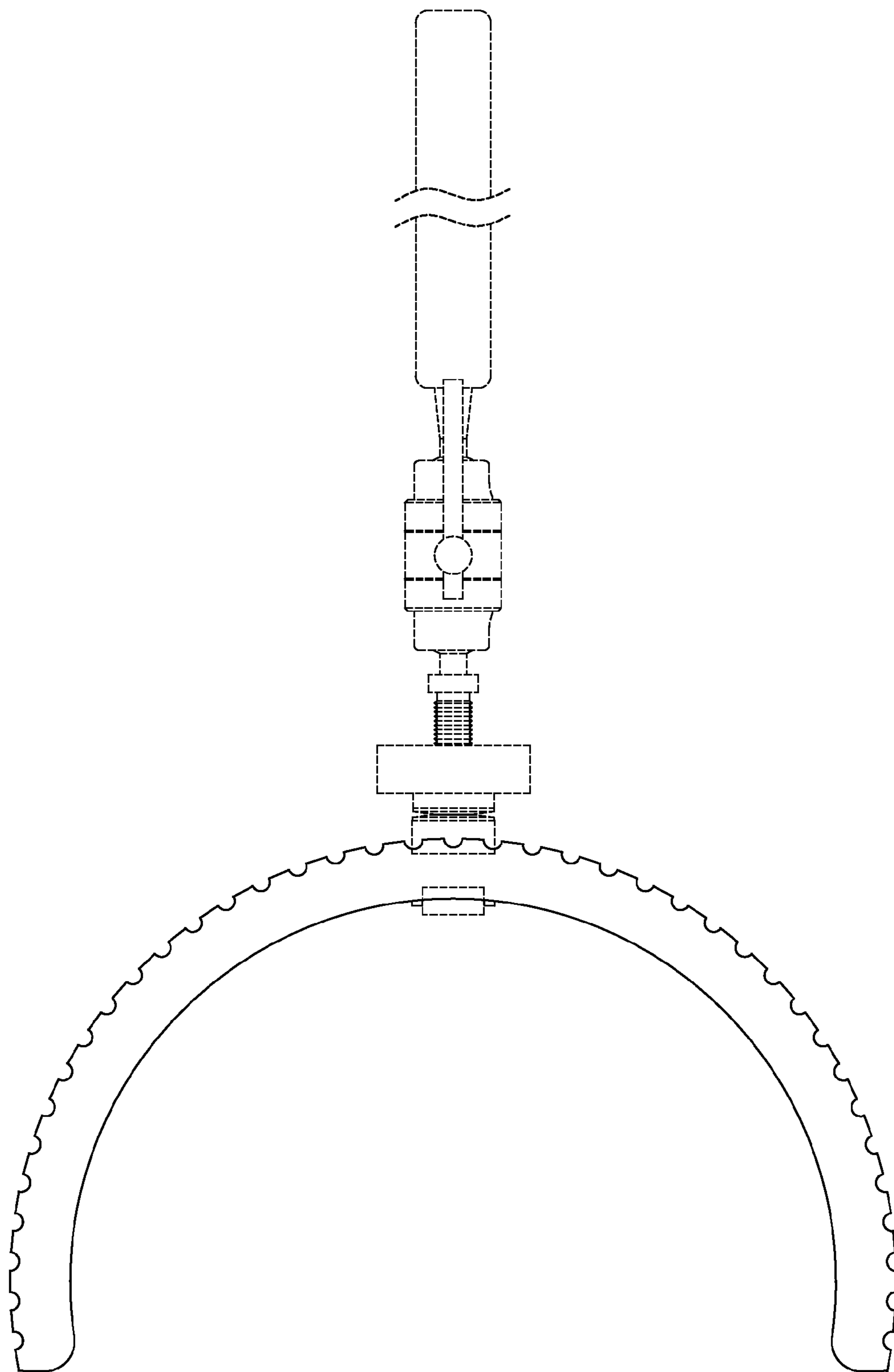


FIG. 6

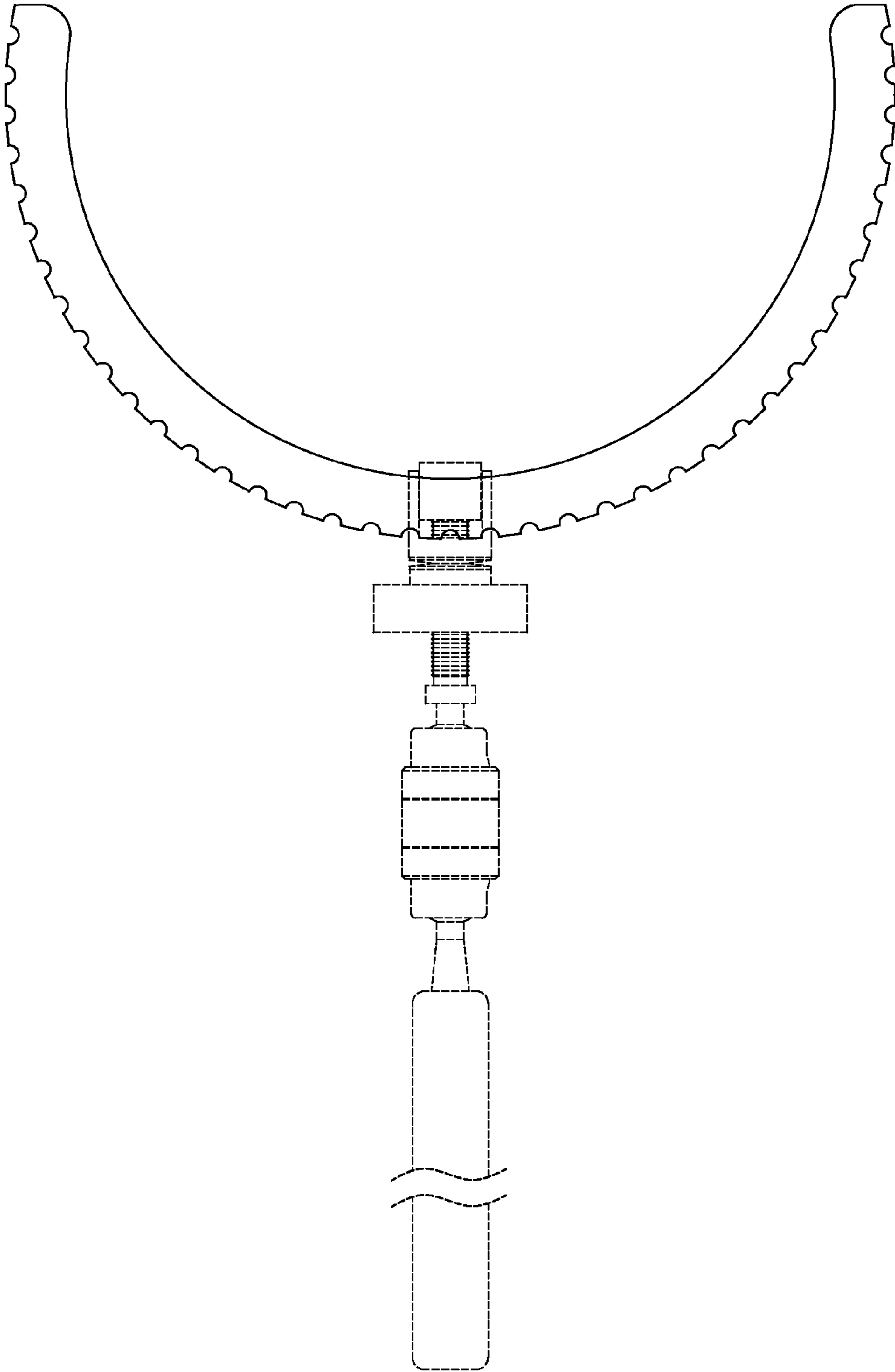


FIG. 7