

US00D630731S

(12) **United States Design Patent**
Schmutzer et al.

(10) **Patent No.:** **US D630,731 S**
(45) **Date of Patent:** **** Jan. 11, 2011**

(54) **INFUSION MANAGEMENT SYSTEM
HOLDER**

(75) Inventors: **Stephen E. Schmutzer**, Fort Collins, CO
(US); **Mark Henault**, Westminster, CO
(US)

(73) Assignee: **Firefly Medical, Inc.**, Fort Collins, CO
(US)

(**) Term: **14 Years**

(21) Appl. No.: **29/355,328**

(22) Filed: **Feb. 5, 2010**

(51) **LOC (9) Cl.** **24-02**

(52) **U.S. Cl.** **D24/128**

(58) **Field of Classification Search** D24/127-130;
248/125.8, 121, 129; 135/66-67; 5/86.1;
604/905; D12/130

See application file for complete search history.

(56) **References Cited**

U.S. PATENT DOCUMENTS

D45,770 S *	5/1914	Shaw	D24/128
2,583,114 A	1/1952	Monteith		
2,794,612 A	6/1957	Clifton		
4,251,044 A	2/1981	Olson		
4,332,378 A *	6/1982	Pryor	482/68
4,341,381 A	7/1982	Norberg		
4,725,027 A	2/1988	Bekanich		
4,744,536 A	5/1988	Bancalari		
4,807,837 A	2/1989	Gawlik et al.		
4,892,279 A	1/1990	Lafferty et al.		
4,905,944 A	3/1990	Jost et al.		
4,907,794 A	3/1990	Rose		
D310,570 S *	9/1990	Wells	D24/128
5,411,044 A	5/1995	Andolfi		
5,458,305 A	10/1995	Woodward		
5,479,953 A *	1/1996	Pasulka	135/66
D385,348 S *	10/1997	Ward et al.	D24/128
5,704,577 A	1/1998	Gordon		
5,772,162 A	6/1998	Lin		
6,056,249 A	5/2000	Fillon		

D434,495 S *	11/2000	Whalen et al.	D24/128
6,161,850 A	12/2000	James et al.		
D436,167 S *	1/2001	Ebert	D24/128
6,296,263 B1 *	10/2001	Schultz et al.	280/87.021
D479,164 S	9/2003	Wu		
6,619,599 B2	9/2003	Elliott et al.		
6,839,939 B2	1/2005	Donakowski		

(Continued)

FOREIGN PATENT DOCUMENTS

WO WO 2008/085698 7/2008

OTHER PUBLICATIONS

U.S. Appl. No. 29/339,591. filed Jul. 2, 2009.

(Continued)

Primary Examiner—T. Chase Nelson
Assistant Examiner—Eric L Goodman
(74) *Attorney, Agent, or Firm*—Greenlee Sullivan P.C.

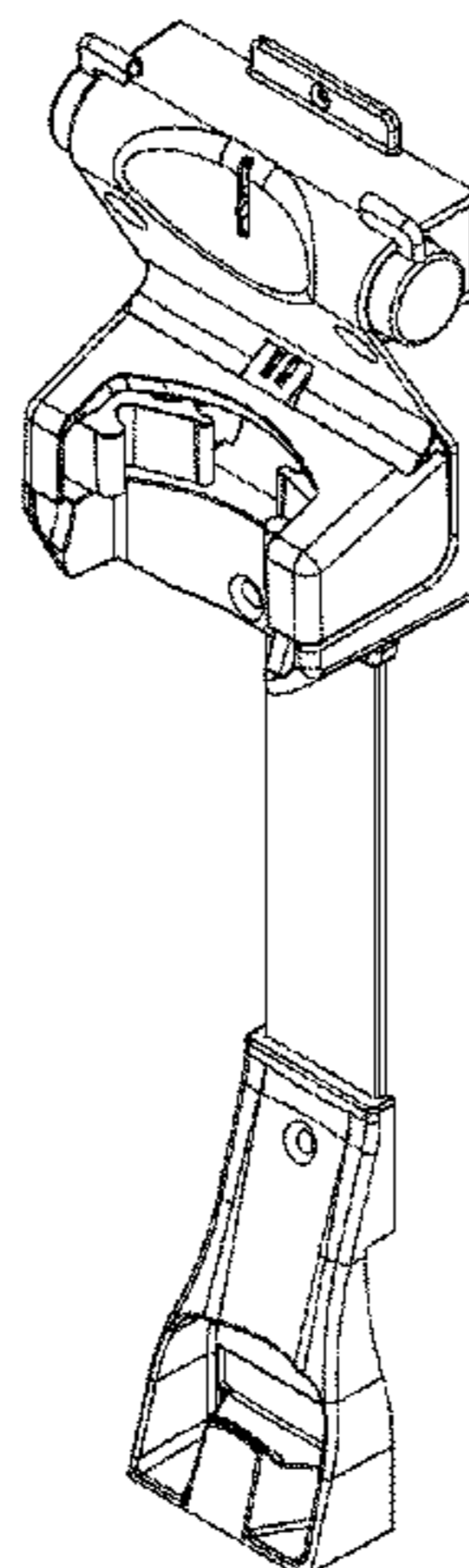
(57) **CLAIM**

The ornamental design for an infusion management system holder, as shown.

DESCRIPTION

FIG. 1 is a top, right side, front perspective view of an infusion management system holder showing my new design, it being understood the left side is a mirror image;
FIG. 2 is a bottom, right side, front perspective view thereof;
FIG. 3 is a top, left side, rear perspective view thereof; and,
FIG. 4 is a bottom, left side, rear perspective view thereof.

1 Claim, 4 Drawing Sheets



US D630,731 S

Page 2

U.S. PATENT DOCUMENTS

D503,909 S 4/2005 Tolfen et al.
6,969,031 B2 11/2005 Ugent et al.
6,983,915 B2 1/2006 Adelman
D519,423 S 4/2006 Tolfen
7,065,812 B2 6/2006 Newkirk et al.
D568,467 S * 5/2008 Cottone D24/128
7,634,824 B2 * 12/2009 Gramkow et al. 5/81.1 R
D622,377 S * 8/2010 Jackson D24/128
2003/0178538 A1 9/2003 Hasloeher et al.

2005/0139736 A1 6/2005 Breda et al.
2005/0230573 A1* 10/2005 Ligertwood 248/158
2008/0156946 A1 7/2008 Schmutzer et al.

OTHER PUBLICATIONS

U.S. Appl. No. 29/355,329, filed Feb. 5, 2010.
International Search Report and Written Opinion, Corresponding to
International Application No. PCT/US2007/088433, Completed
Aug. 7, 2008.

* cited by examiner

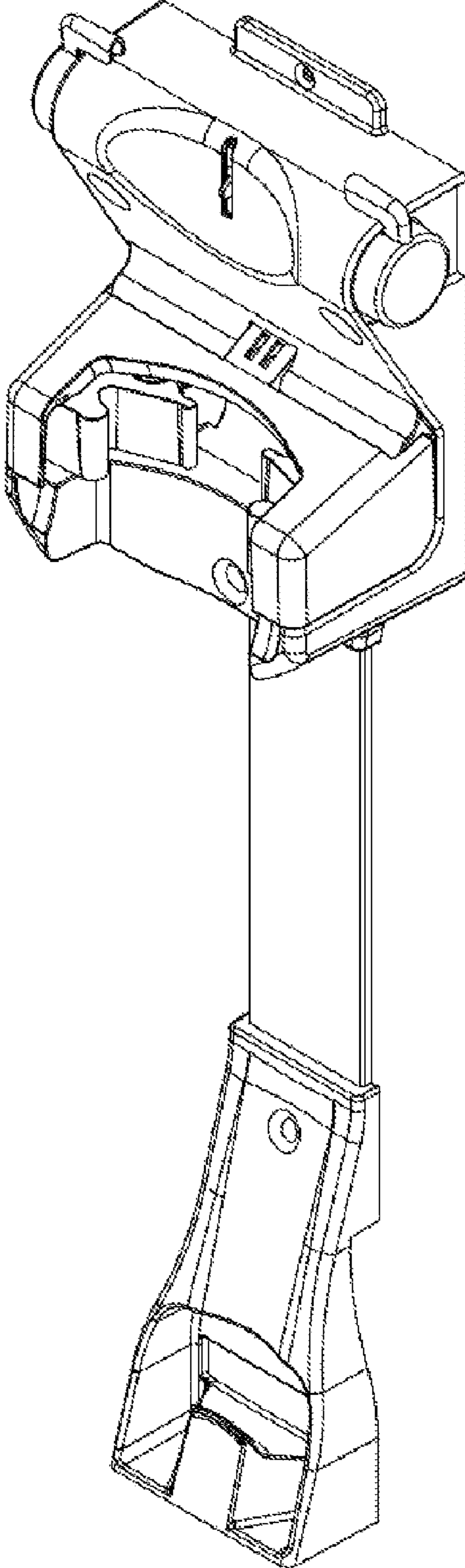


Figure 1

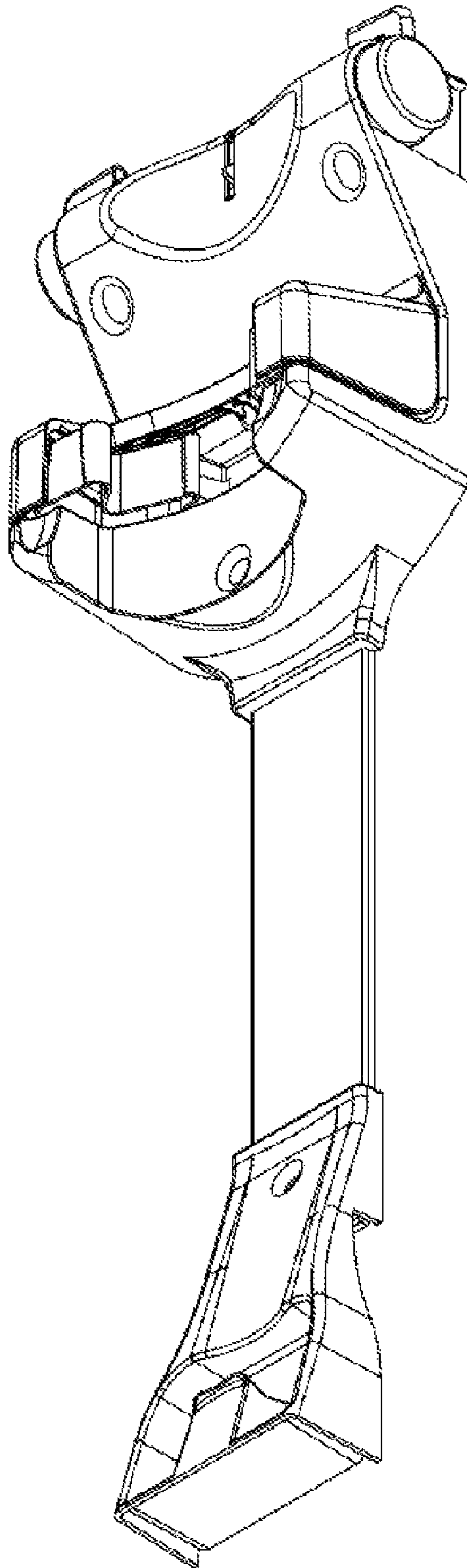


Figure 2

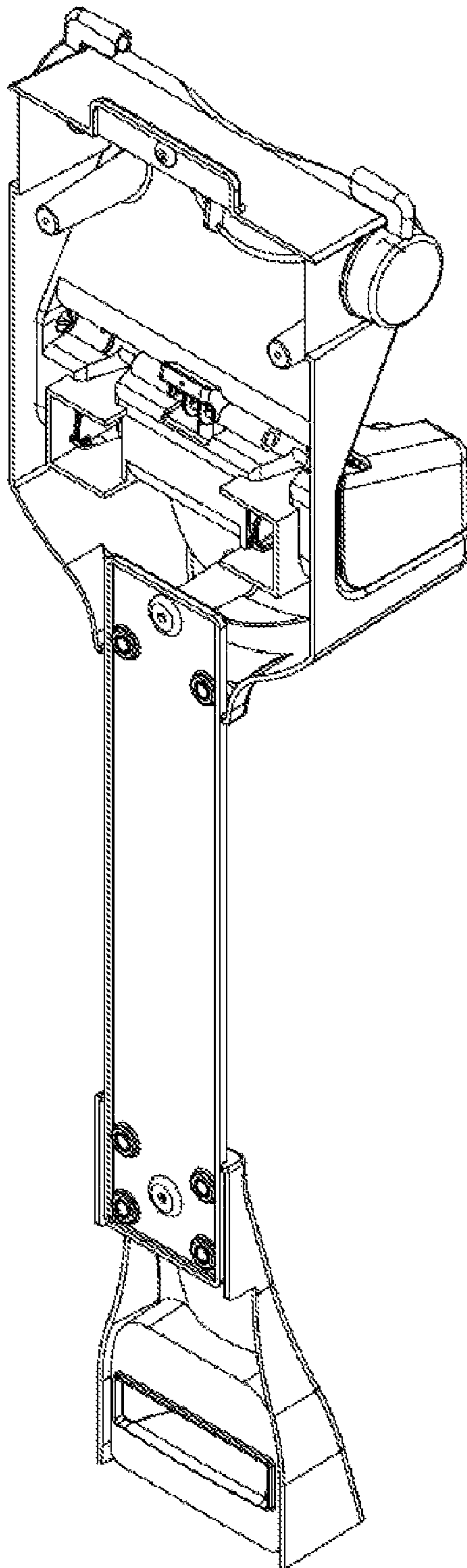


Figure 3

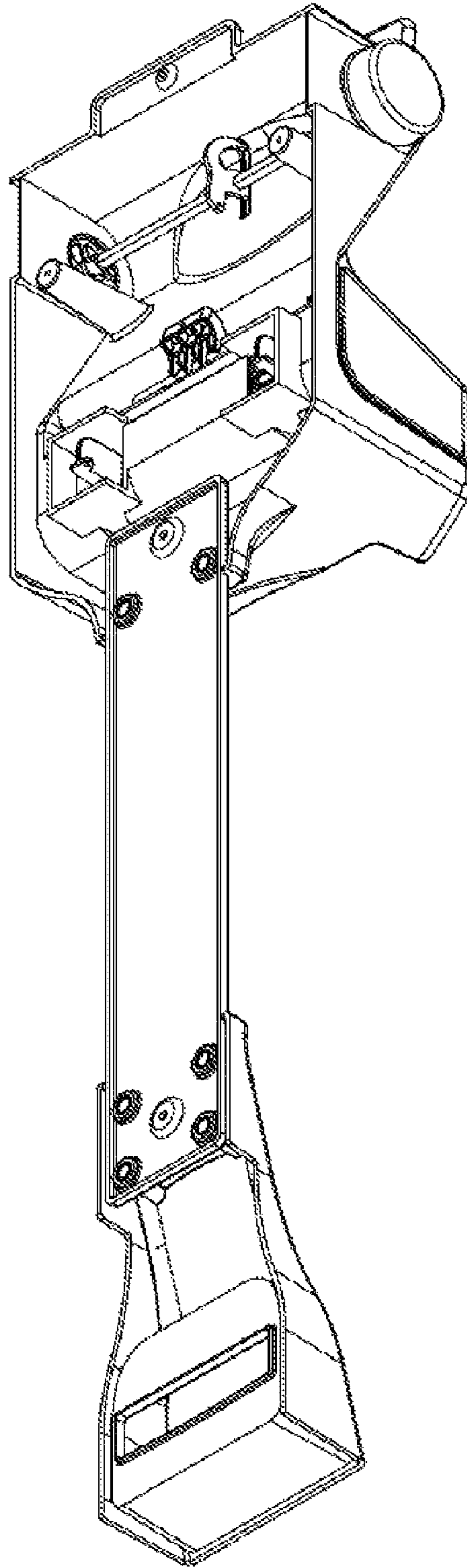


Figure 4